



US00D813485S

(12) **United States Design Patent** (10) **Patent No.:** **US D813,485 S**
Liao (45) **Date of Patent:** **** Mar. 20, 2018**

- (54) **INDUCTIVE GARBAGE CAN** 6,386,386 B1 * 5/2002 George B65F 1/004
220/263
- (71) Applicant: **Jiangmen Foreign Trade Group Co., Ltd.**, Jiangmen, Guangdong Province (CN) 6,626,316 B2 * 9/2003 Yang A61L 9/014
220/263
- 6,626,317 B2 * 9/2003 Pfeifer B65F 1/16
220/263
- (72) Inventor: **Henry Liao**, Jiangmen (CN) 7,086,550 B2 * 8/2006 Yang B65F 1/08
220/263
- (73) Assignee: **JIANGMEN FOREIGN TRADE GROUP CO., LTD.**, Jiangmen, Guangdong Province (CN) D537,600 S * 2/2007 Lin D34/7
D584,468 S * 1/2009 Liao D34/9
D591,471 S * 4/2009 Lee D34/9
D595,468 S * 6/2009 Liao D34/9
D595,917 S * 7/2009 Liao D34/9
D620,667 S * 7/2010 Liao D34/9
D714,009 S * 9/2014 Phillips D34/7
D793,022 S * 7/2017 Liao D34/7
- (**) Term: **15 Years**

(21) Appl. No.: **29/611,285**

(22) Filed: **Jul. 20, 2017**

Related U.S. Application Data

- (62) Division of application No. 29/526,335, filed on May 8, 2015, now Pat. No. Des. 793,022.
- (51) **LOC (11) Cl.** **09-09**
- (52) **U.S. Cl.**
USPC **D34/7**
- (58) **Field of Classification Search**
USPC D34/1-11; 220/908-913
CPC .. B65F 1/06; B65F 1/08; B65F 1/1607; B65F 1/1615; B65F 1/163; B65F 1/062; B65F 1/068
See application file for complete search history.

(56) **References Cited**

U.S. PATENT DOCUMENTS

- 4,982,857 A * 1/1991 Sher B65F 1/0046
220/4.03
- 5,662,235 A * 9/1997 Nieto B65F 1/085
220/23.86

* cited by examiner

Primary Examiner — Cynthia Ramirez

(74) *Attorney, Agent, or Firm* — Daniel F. Nesbitt; Hasse & Nesbitt LLC

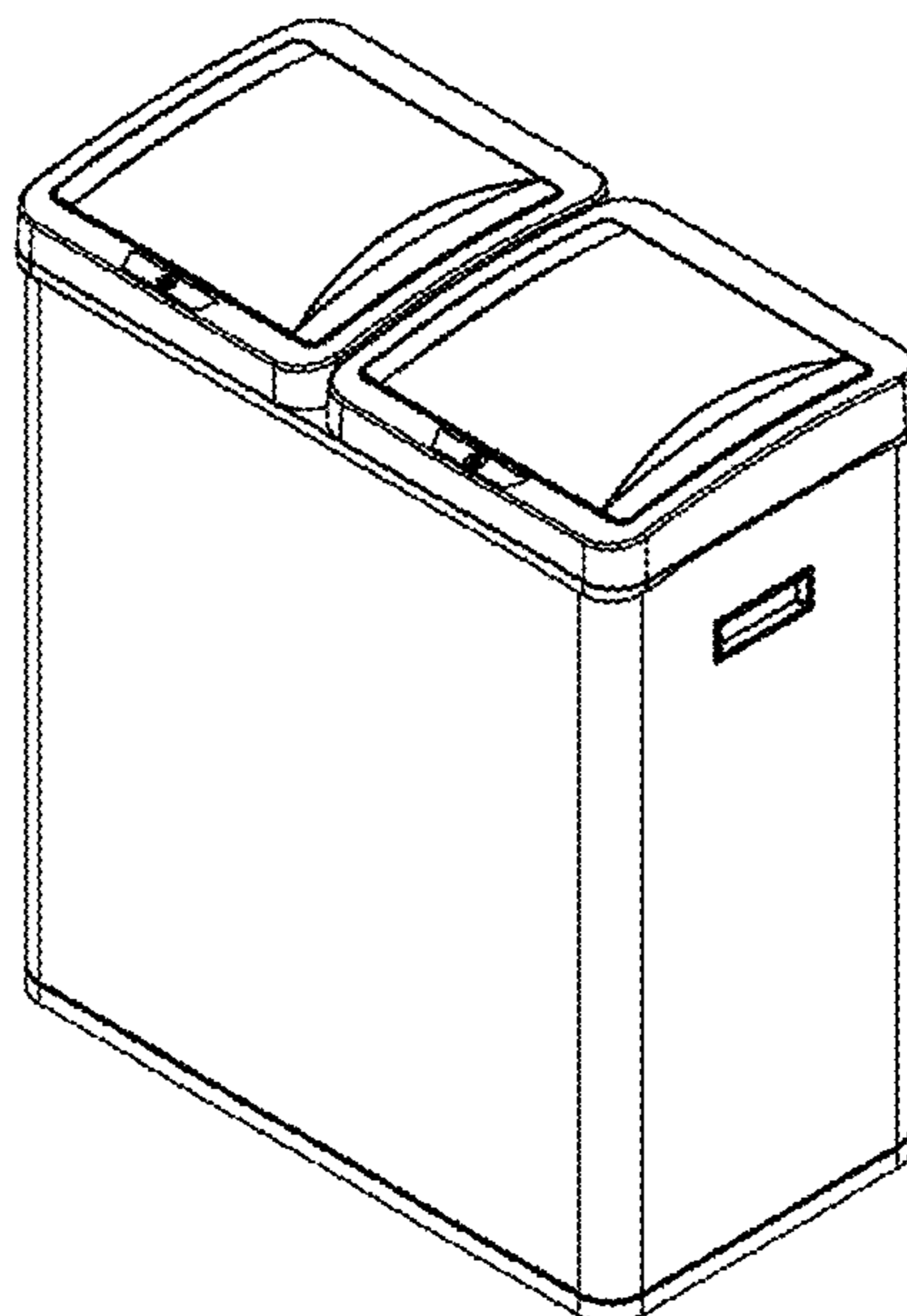
(57) **CLAIM**

I claim the ornamental design for an inductive garbage can, as shown and described.

DESCRIPTION

FIG. 1 is a perspective view of the inductive garbage can showing my new design;
 FIG. 2 is a front view thereof;
 FIG. 3 is a back view thereof;
 FIG. 4 is a right side view thereof;
 FIG. 5 is a left side view thereof;
 FIG. 6 is a top plan view thereof; and,
 FIG. 7 is a bottom plan view thereof.
 The broken lines shown in the drawings illustrate portions of the inductive garbage can that form no part of the claimed design.

1 Claim, 7 Drawing Sheets



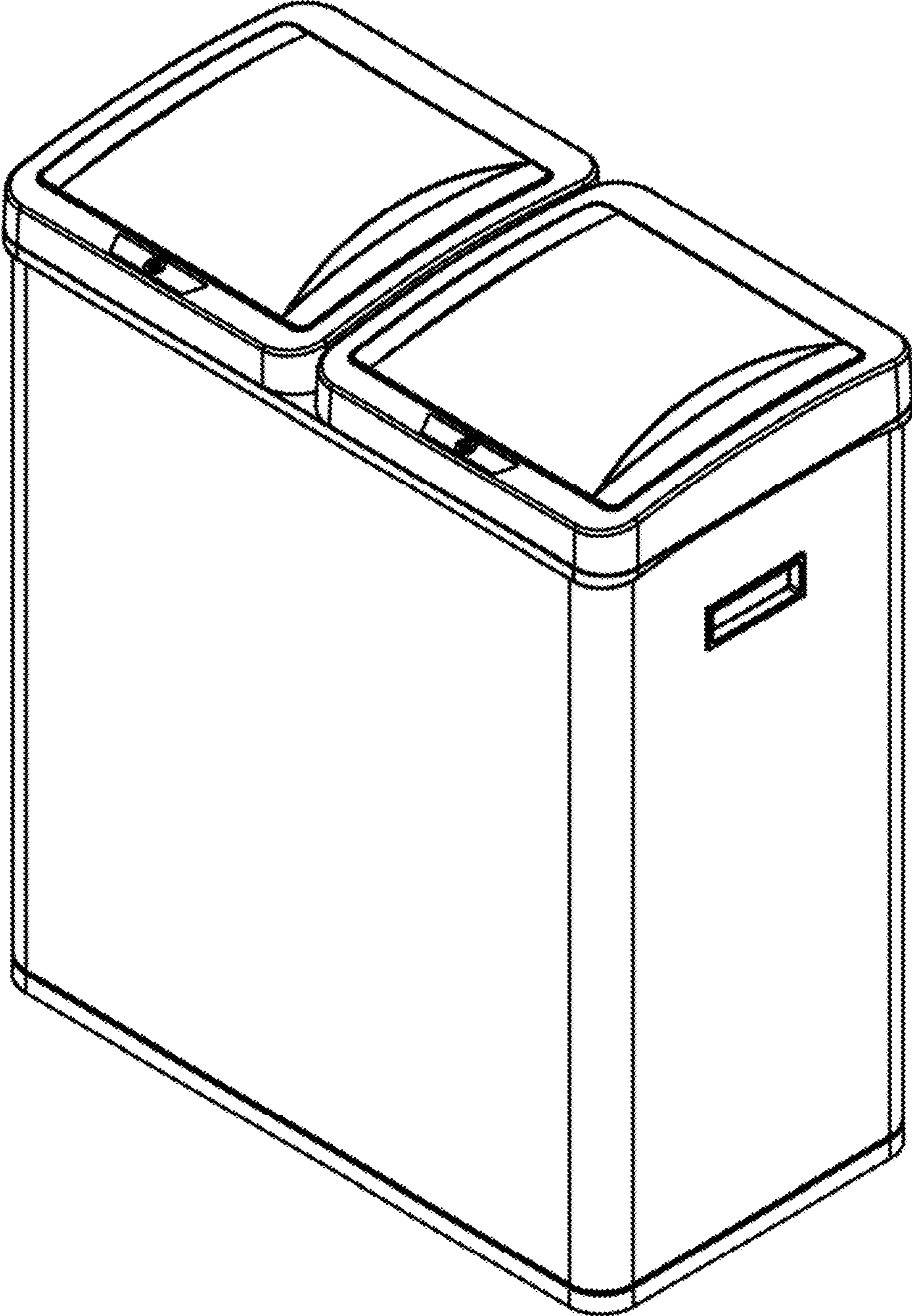


FIGURE 1

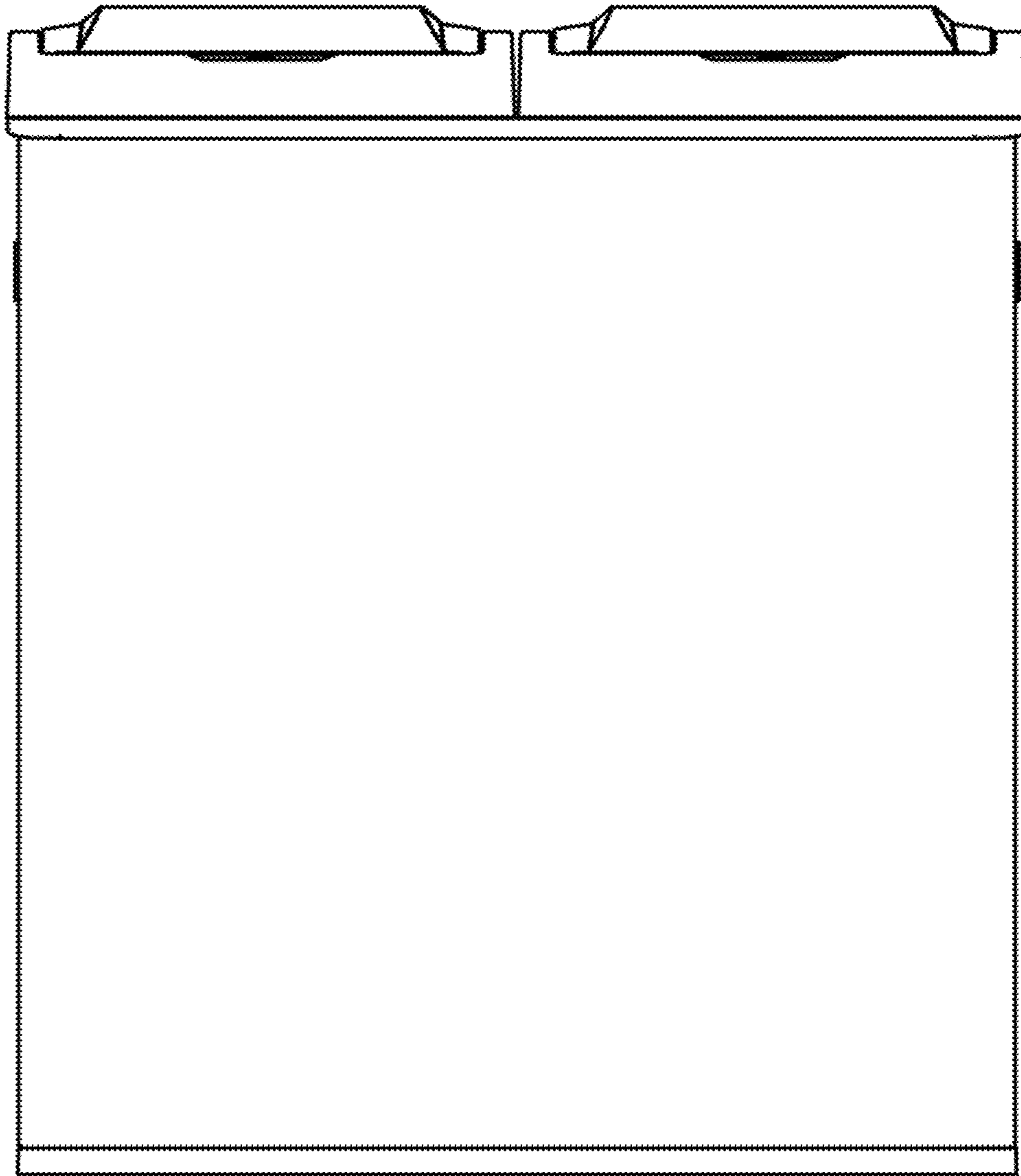


FIGURE 2

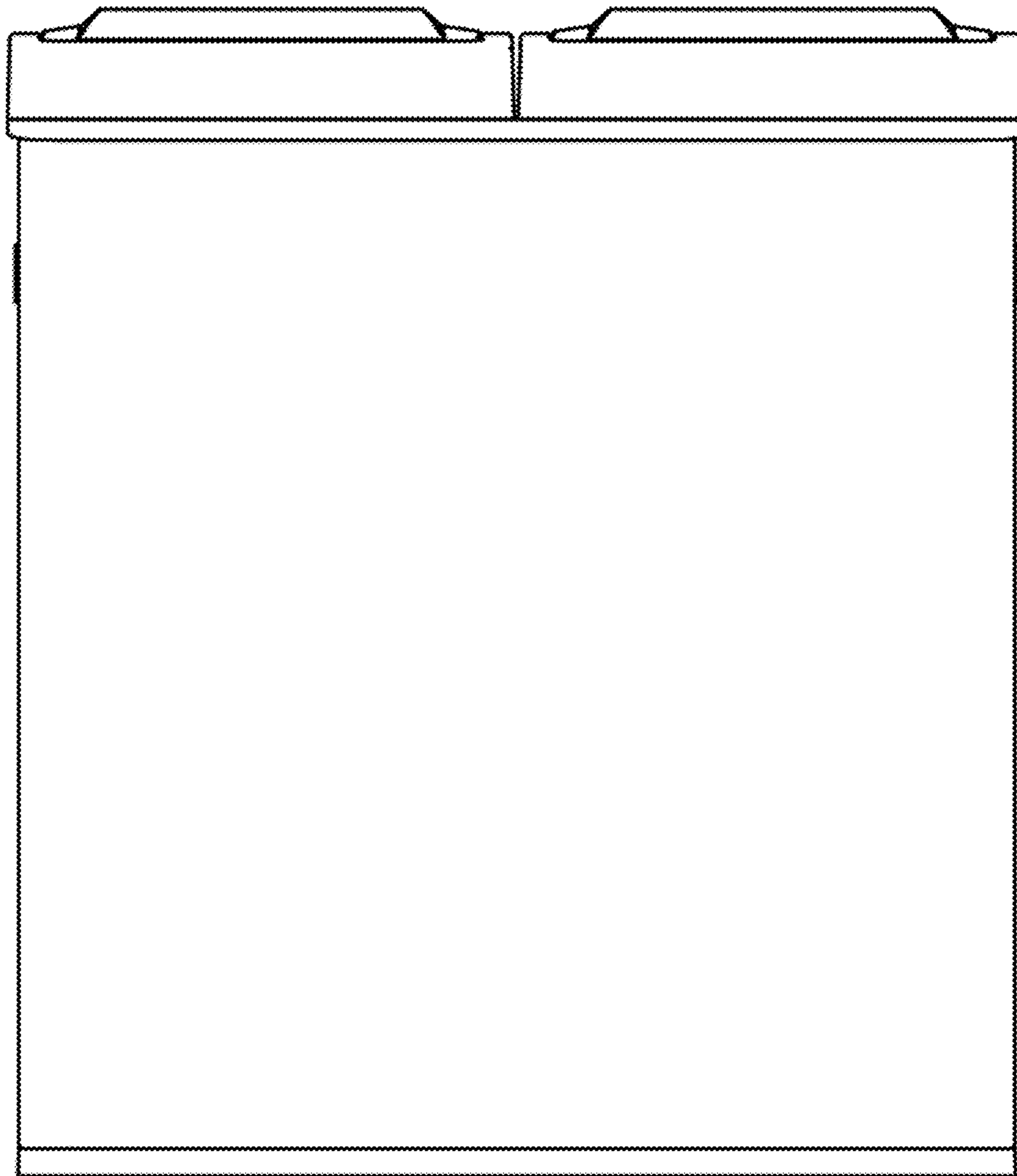


FIGURE 3

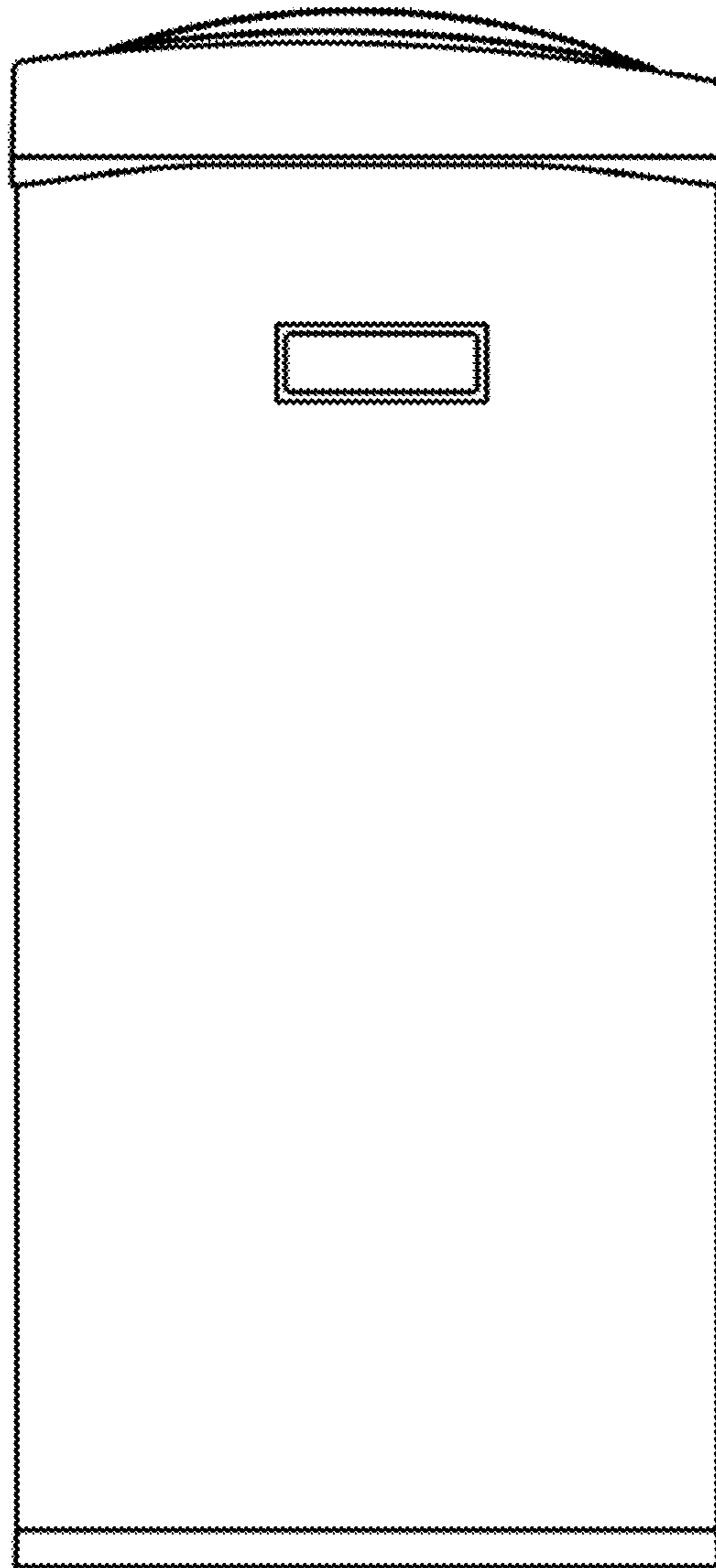


FIGURE 4

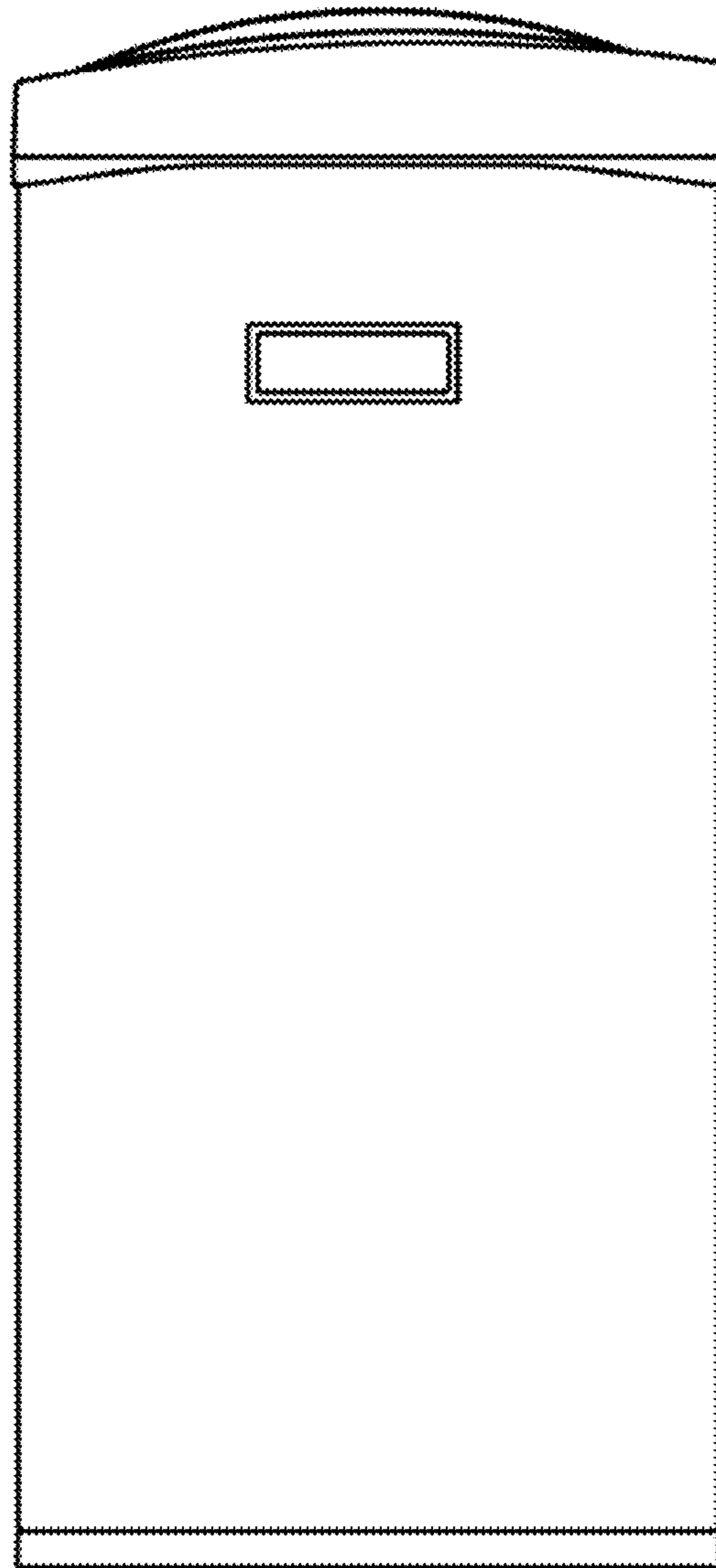


FIGURE 5

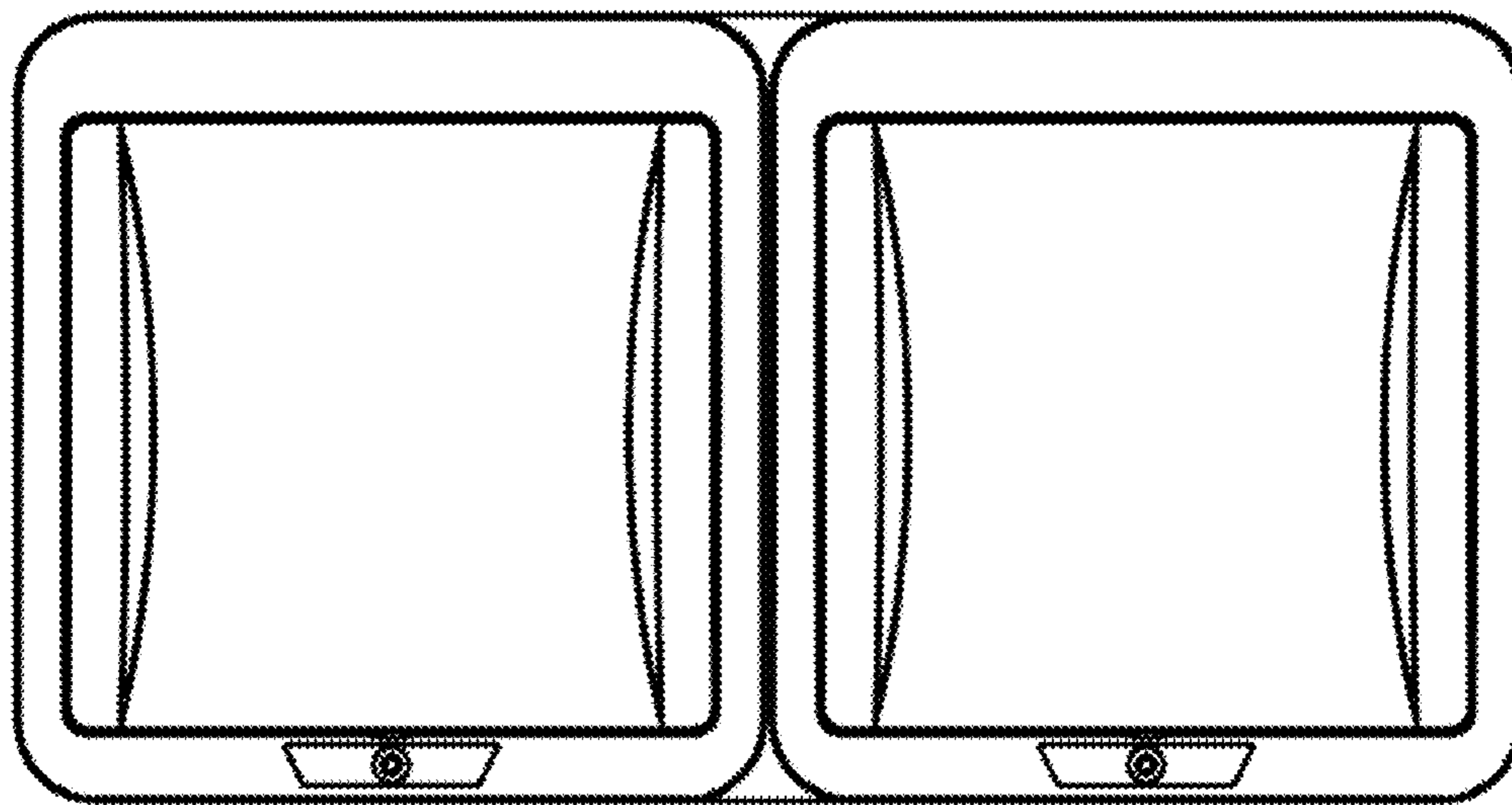


FIGURE 6

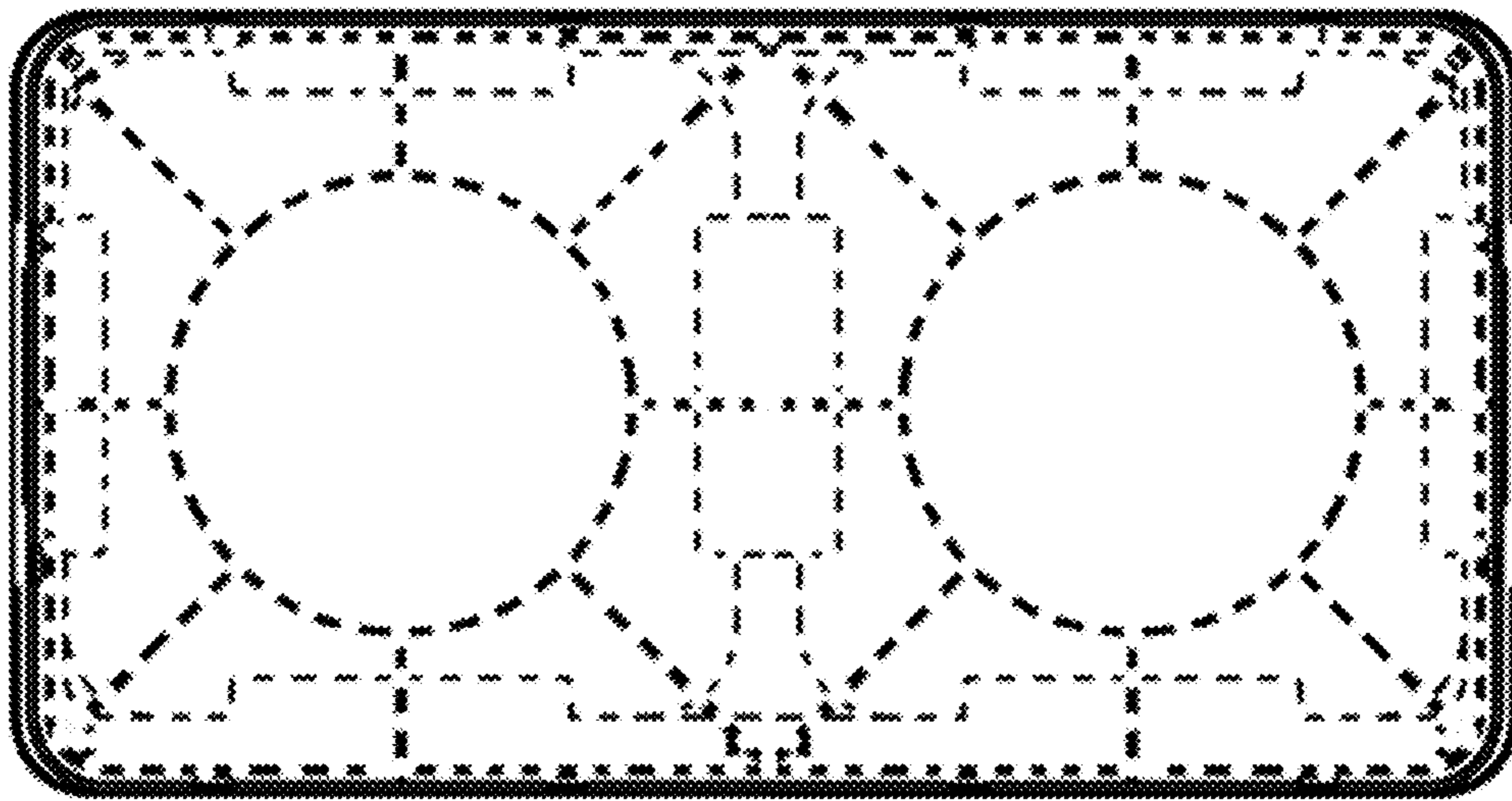


FIGURE 7