



US00D813483S

(12) **United States Design Patent**
Foss et al.

(10) **Patent No.:** **US D813,483 S**
(45) **Date of Patent:** **** Mar. 20, 2018**

(54) **LINER FOR USE WITH BUCKET AND
LINER COMBINATION**

(71) Applicant: **Angry Dad LLC**, Pompton Plains, NJ
(US)

(72) Inventors: **Glenn Foss**, Pompton Plains, NJ (US);
John Sebastiano, Pompton Plains, NJ
(US)

(73) Assignee: **Angry Dad LLC**, Pompton Plains, NJ
(US)

(**) Term: **15 Years**

(21) Appl. No.: **29/550,582**

(22) Filed: **Jan. 5, 2016**

(51) **LOC (11) Cl.** **07-07**

(52) **U.S. Cl.**
USPC **D32/53; D32/54**

(58) **Field of Classification Search**
USPC D32/53, 53.1, 54; 220/495.01, 495.02,
220/495.06, 570, 904; 15/257.05, 257.06,
15/264, 262; D34/7
CPC B65D 25/14; B65D 25/16; A47L 13/52;
A47L 13/58; A47J 47/18; B44D 3/126
See application file for complete search history.

(56) **References Cited**

U.S. PATENT DOCUMENTS

D4,229 S * 7/1870 Jennings D5/54
268,481 A * 12/1882 Gorenflo B65F 1/06
220/495.03
400,588 A * 4/1889 Meyering et al. A01K 97/05
119/65

(Continued)

OTHER PUBLICATIONS

U.S. Appl. No. 29/550,561, filed Jan. 5, 2016, Foss et al.

Primary Examiner — Robin V Webster

(74) *Attorney, Agent, or Firm* — Baker & Hostetler LLP

(57) **CLAIM**

The ornamental design for a liner for use with bucket and liner combination, as shown and described.

DESCRIPTION

This application incorporates by reference the disclosure of U.S. patent application Ser. No. 29/550,561, entitled Bucket and Liner Combination, which is being filed concurrently with the present application.

FIG. 1 is an exploded perspective view of a liner for use with bucket and liner combination according to a first embodiment of our new design, shown in combination with a bucket;

FIG. 2 is an exploded perspective view of thereof;

FIG. 3 is an assembled perspective view thereof;

FIG. 4 is an exploded front view thereof, the front view being identical to the rear view, the left side view, and the right side view;

FIG. 5 is an assembled front view thereof, the front view being identical to the rear view, the left side view, and the right side view;

FIG. 6 is a top view thereof, the top view being identical to the bottom view;

FIG. 7 is an exploded perspective view of a liner for use with bucket and liner combination according to a second embodiment of our new design;

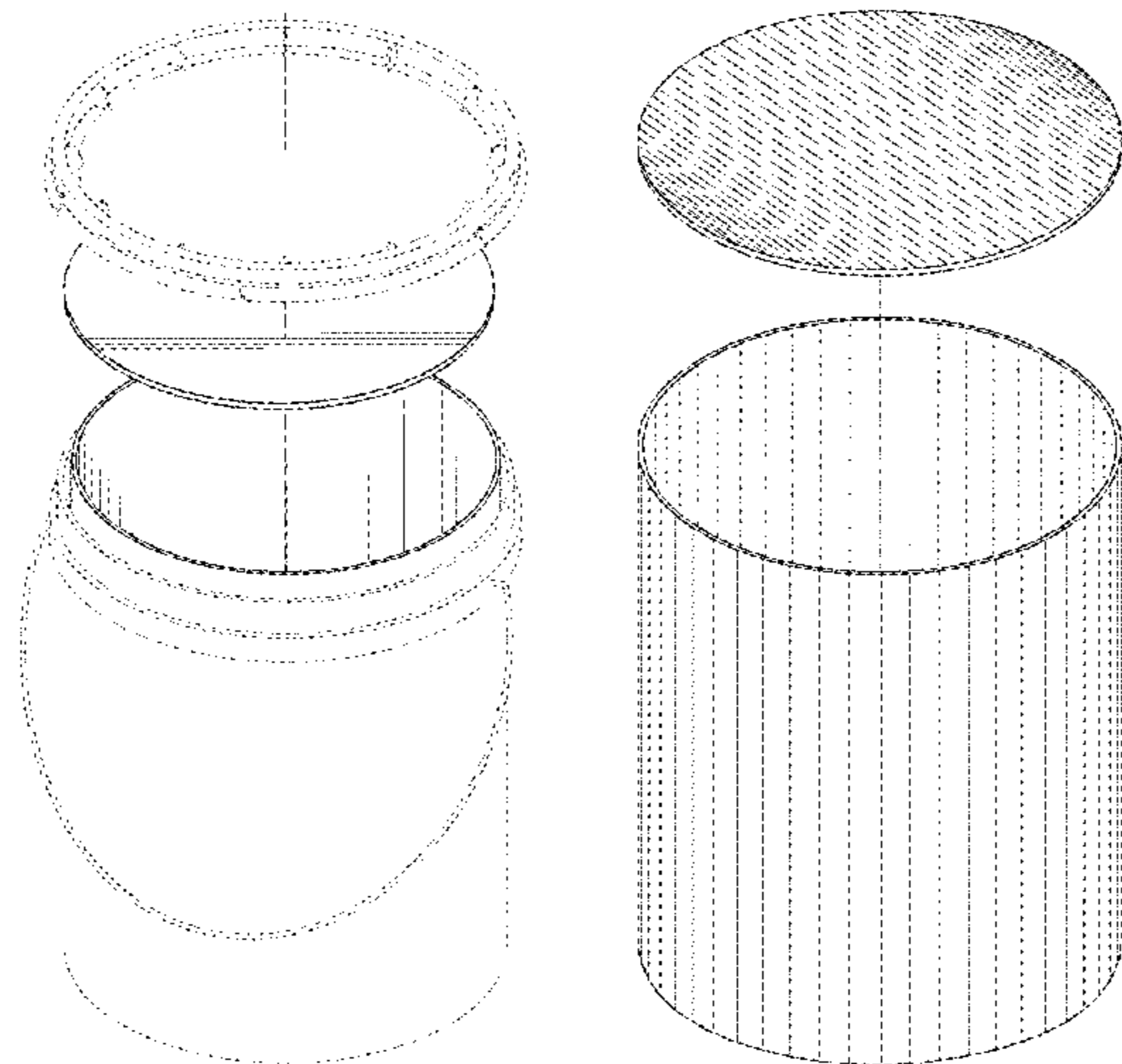
FIG. 8 is an exploded perspective view of a liner for use with bucket and liner combination according to a third embodiment of our new design;

FIG. 9 is an exploded perspective view of a liner for use with bucket and liner combination according to a fourth embodiment of our new design; and,

FIG. 10 is an exploded perspective view of a liner for use with bucket and liner combination according to a fifth embodiment of our new design.

The broken lines in the drawings are to illustrate environment only and form no part of the claimed design.

1 Claim, 10 Drawing Sheets



(56)

References Cited

U.S. PATENT DOCUMENTS

1,966,270 A * 7/1934 Trew B65D 25/16
217/3 FC
2,630,938 A * 3/1953 Burnett B65D 25/16
206/521
2,798,637 A * 7/1957 Wachter B65F 1/06
220/495.01
3,150,811 A * 9/1964 Amberg B65D 3/06
229/125.17
3,173,573 A * 3/1965 Donegan B65D 1/32
220/495.02
3,495,736 A * 2/1970 Ragetti A47J 47/18
206/515
D257,668 S * 12/1980 Ahern D32/54
4,305,219 A * 12/1981 Ratliffe A01K 69/06
220/904
5,035,344 A * 7/1991 Christopher B65D 45/24
215/236
5,598,942 A * 2/1997 Cowie B65F 1/06
220/495.01
6,146,528 A * 11/2000 Caughman, Jr. B01D 29/05
210/236
6,189,697 B1 * 2/2001 Davis A45C 11/008
206/373
6,260,730 B1 * 7/2001 Fellman B44D 3/122
220/23.83
6,679,398 B1 * 1/2004 O'Brien B44D 3/12
220/495.02
D645,627 S * 9/2011 Arvinte D32/53
D656,697 S * 3/2012 McNeil D32/53
8,268,417 B2 * 9/2012 Helou, Jr. B65D 65/466
206/524.3
D741,562 S * 10/2015 Cooper D32/54

* cited by examiner

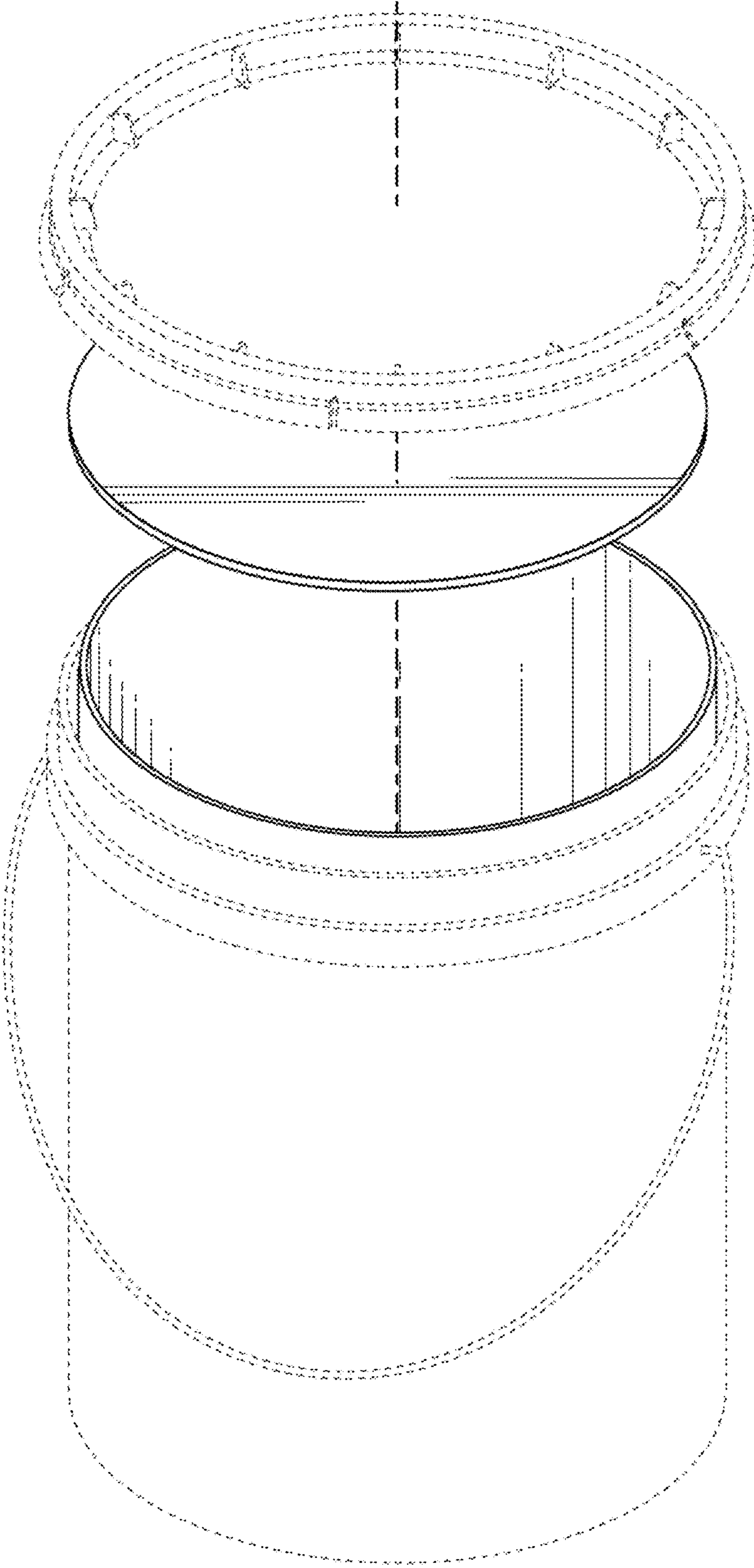


FIG. 1

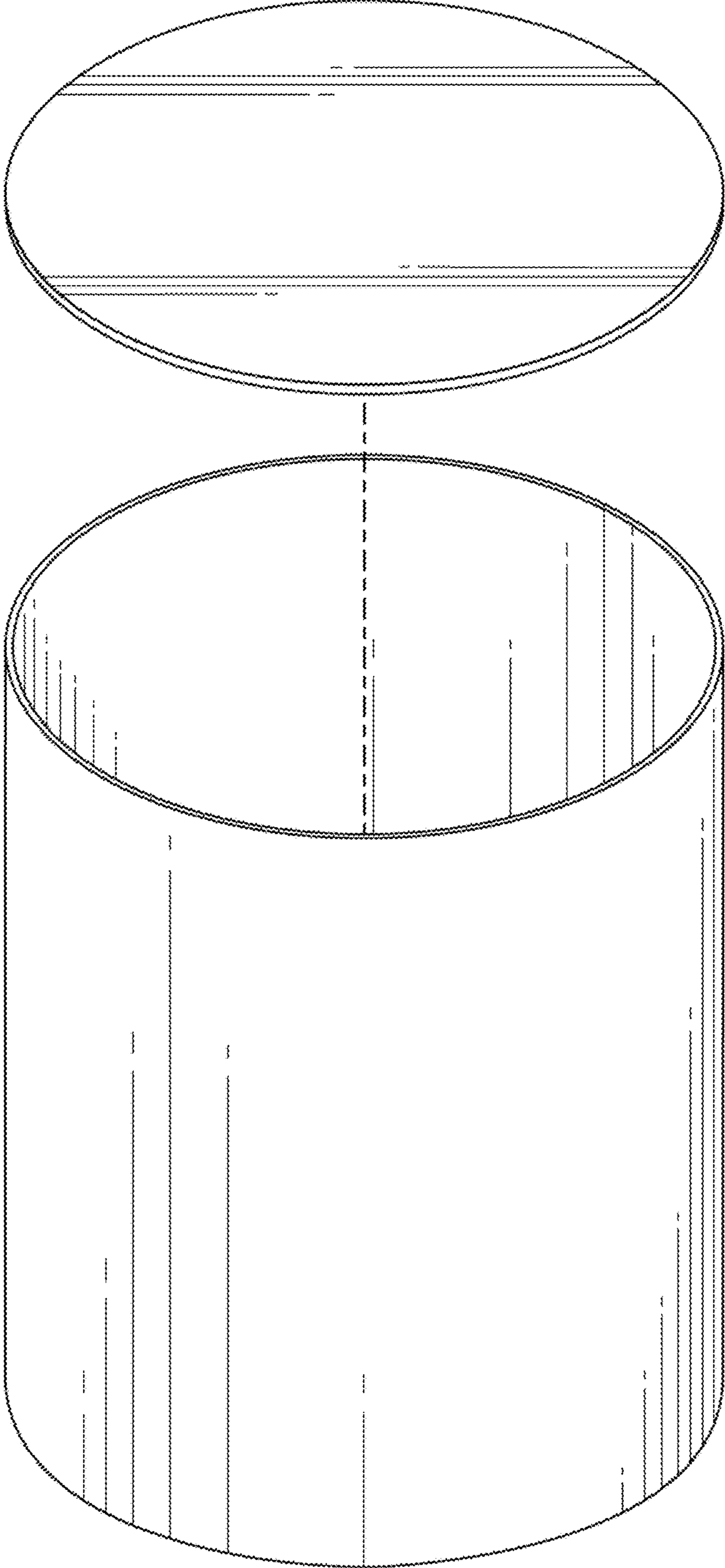


FIG. 2

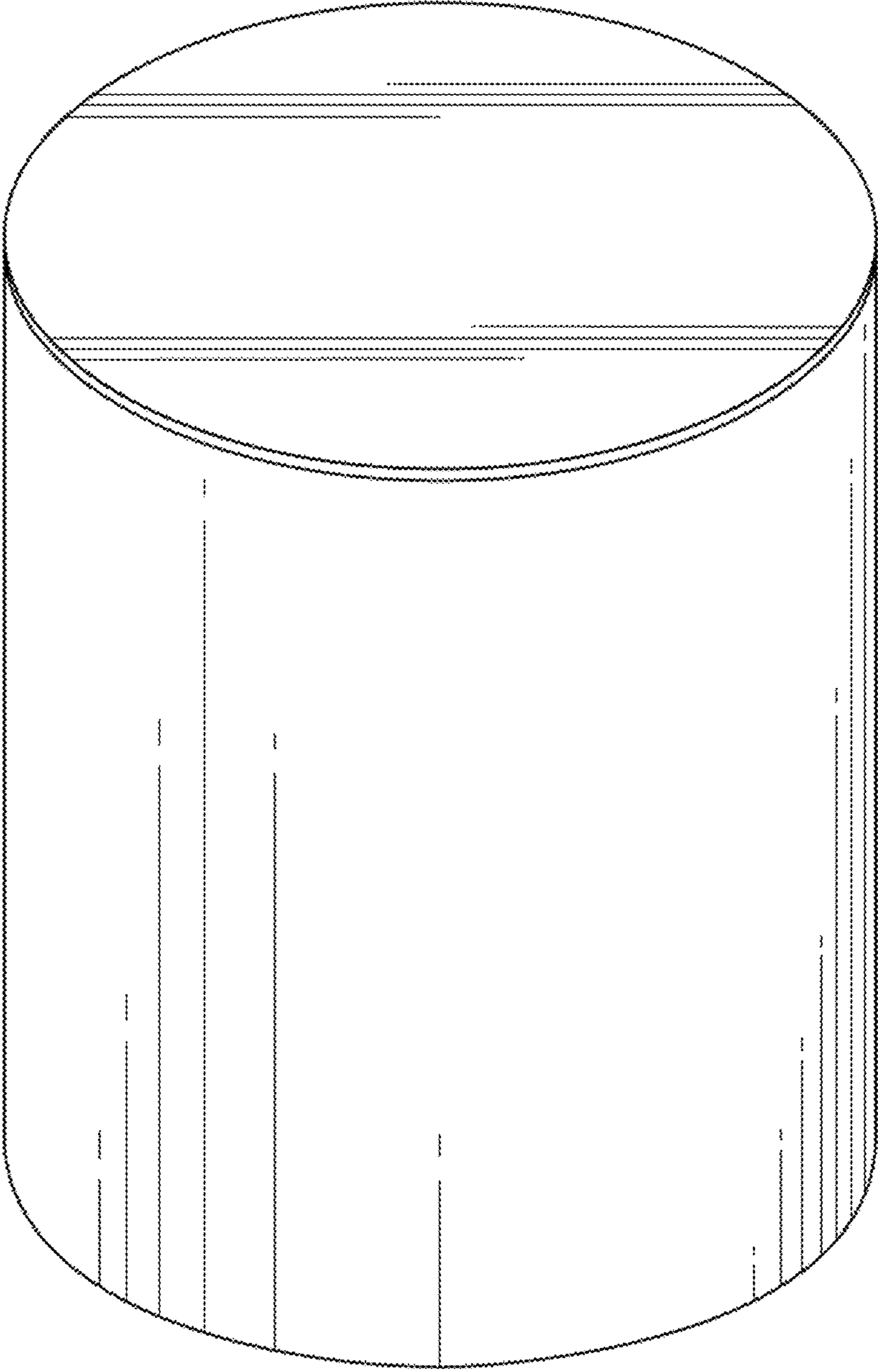


FIG. 3

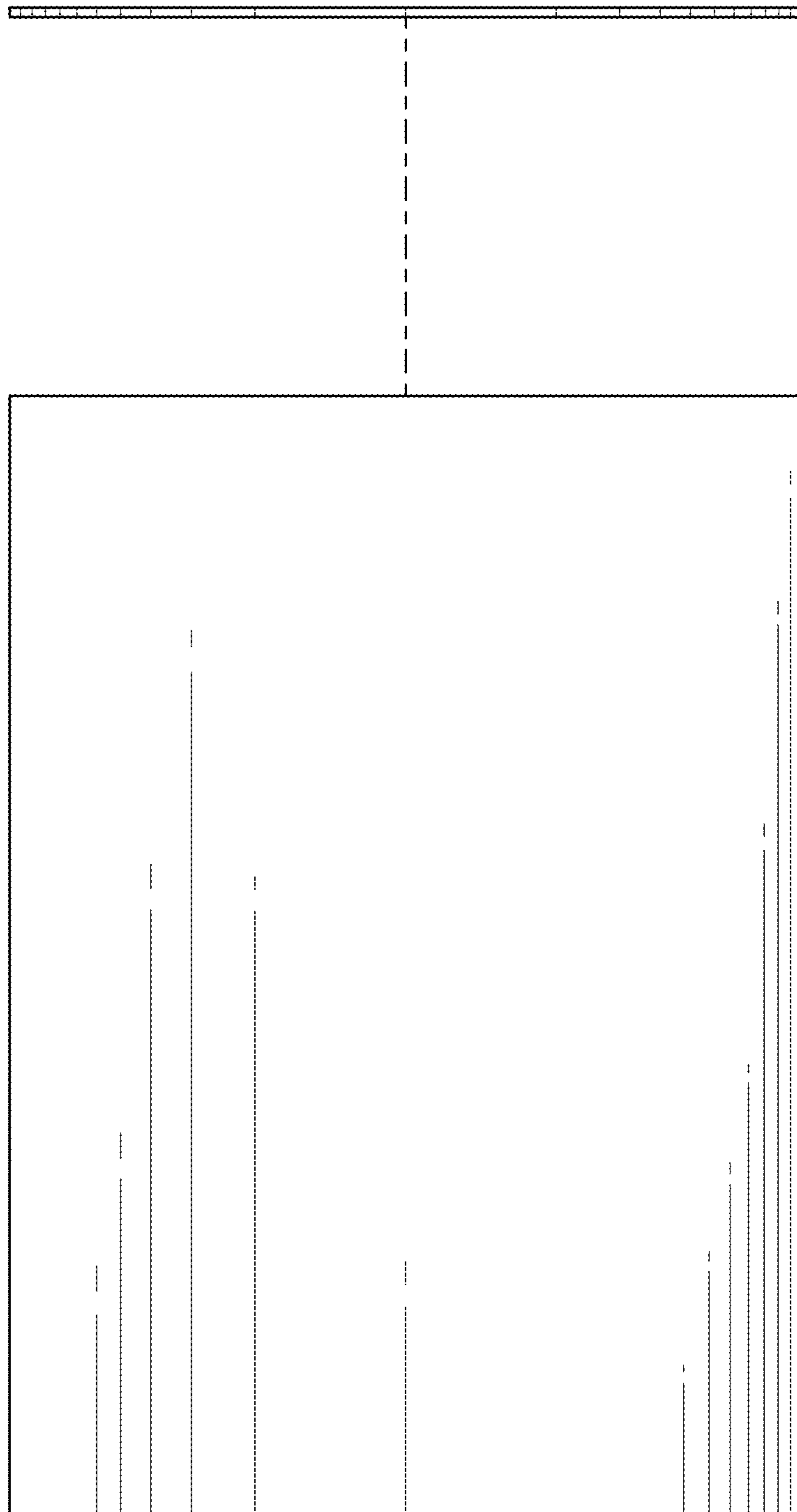


FIG. 4

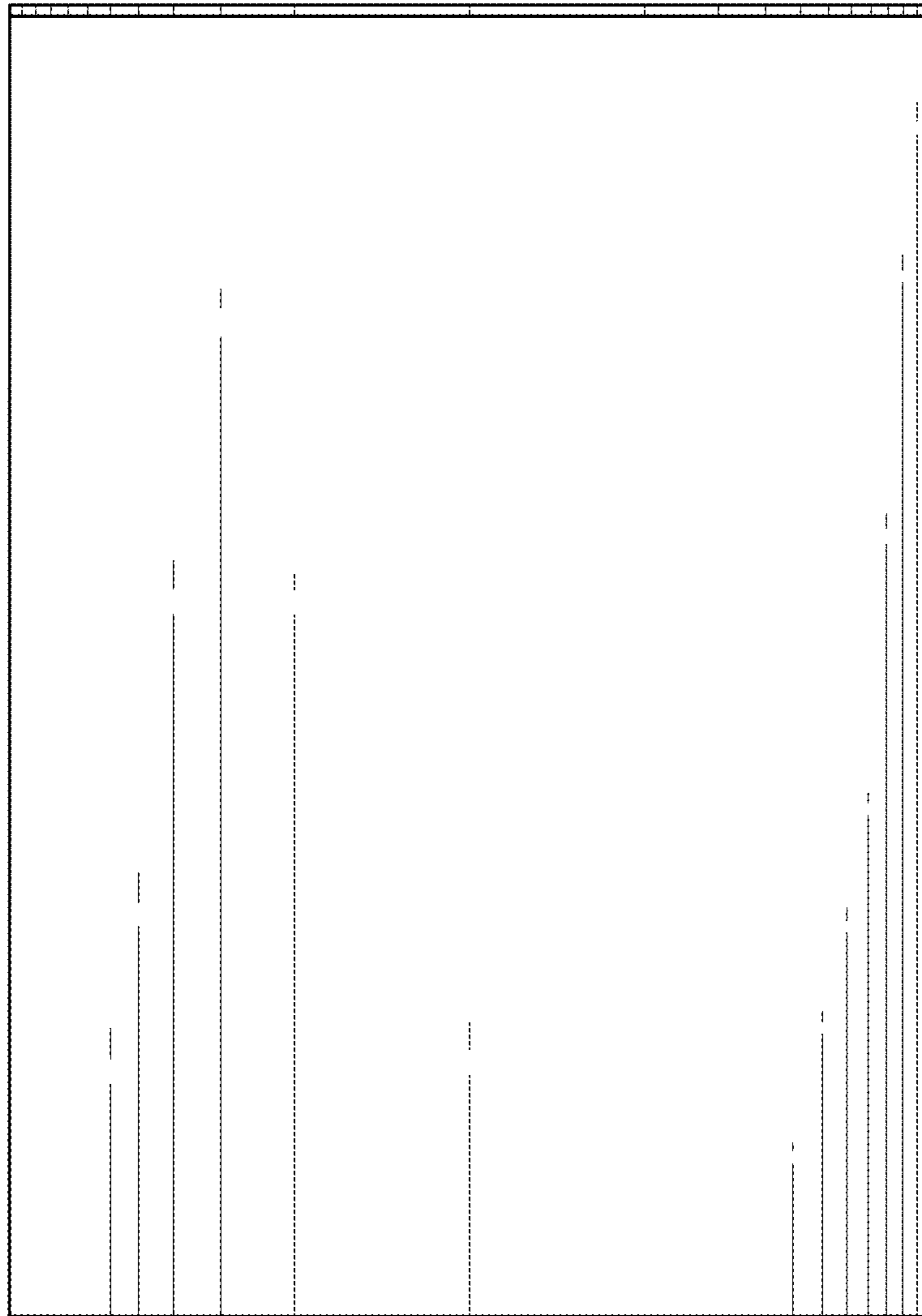


FIG. 5

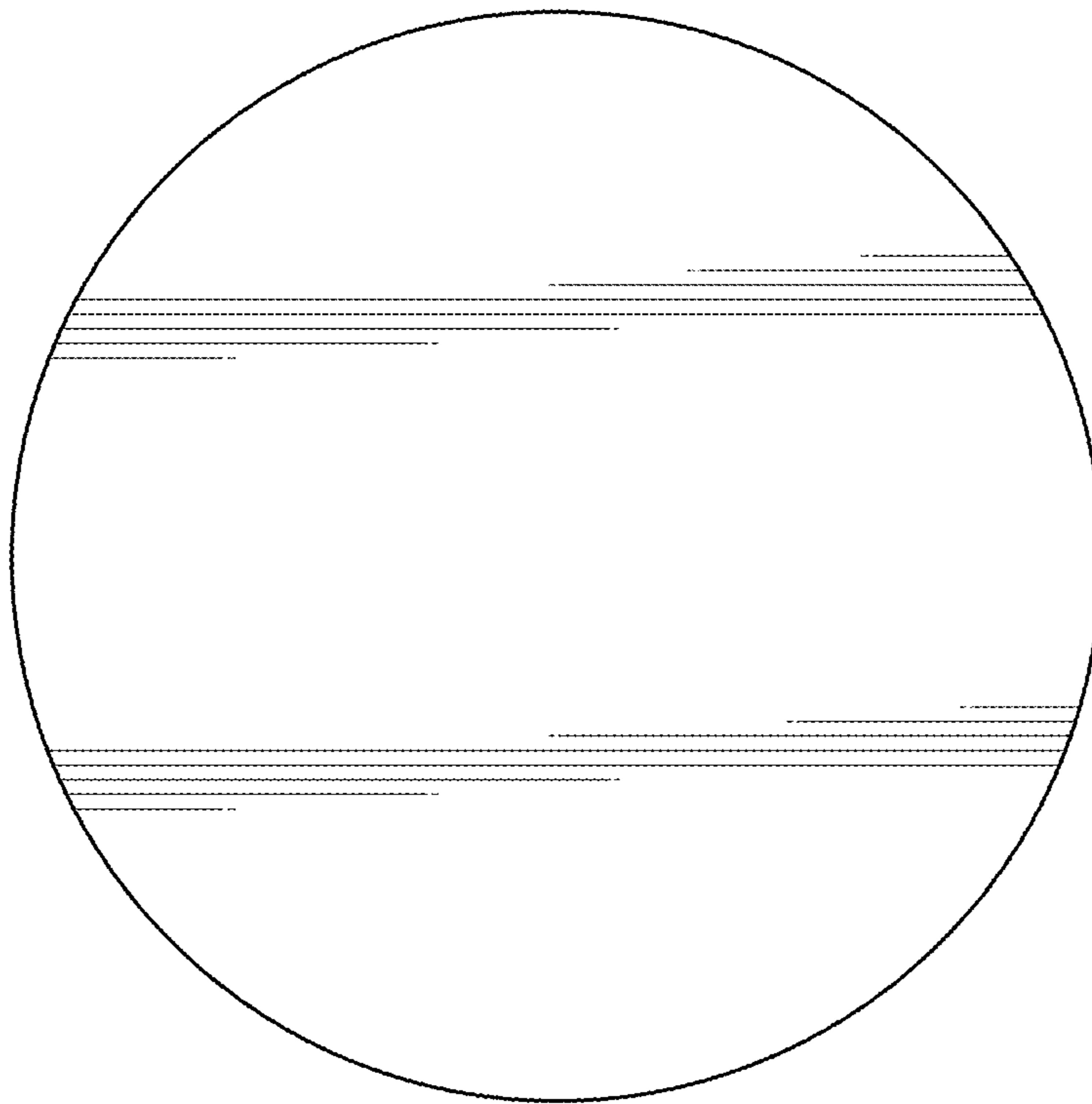


FIG. 6

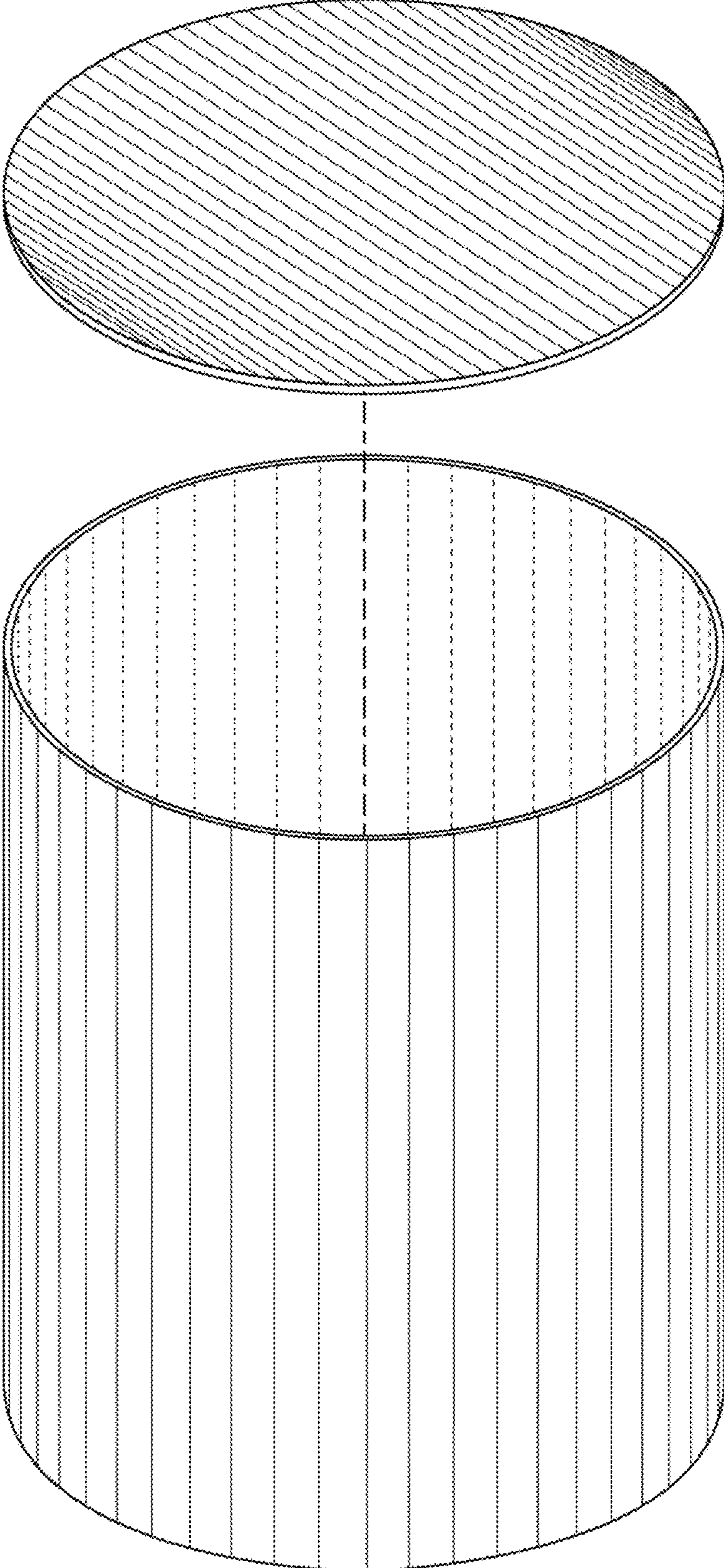


FIG. 7

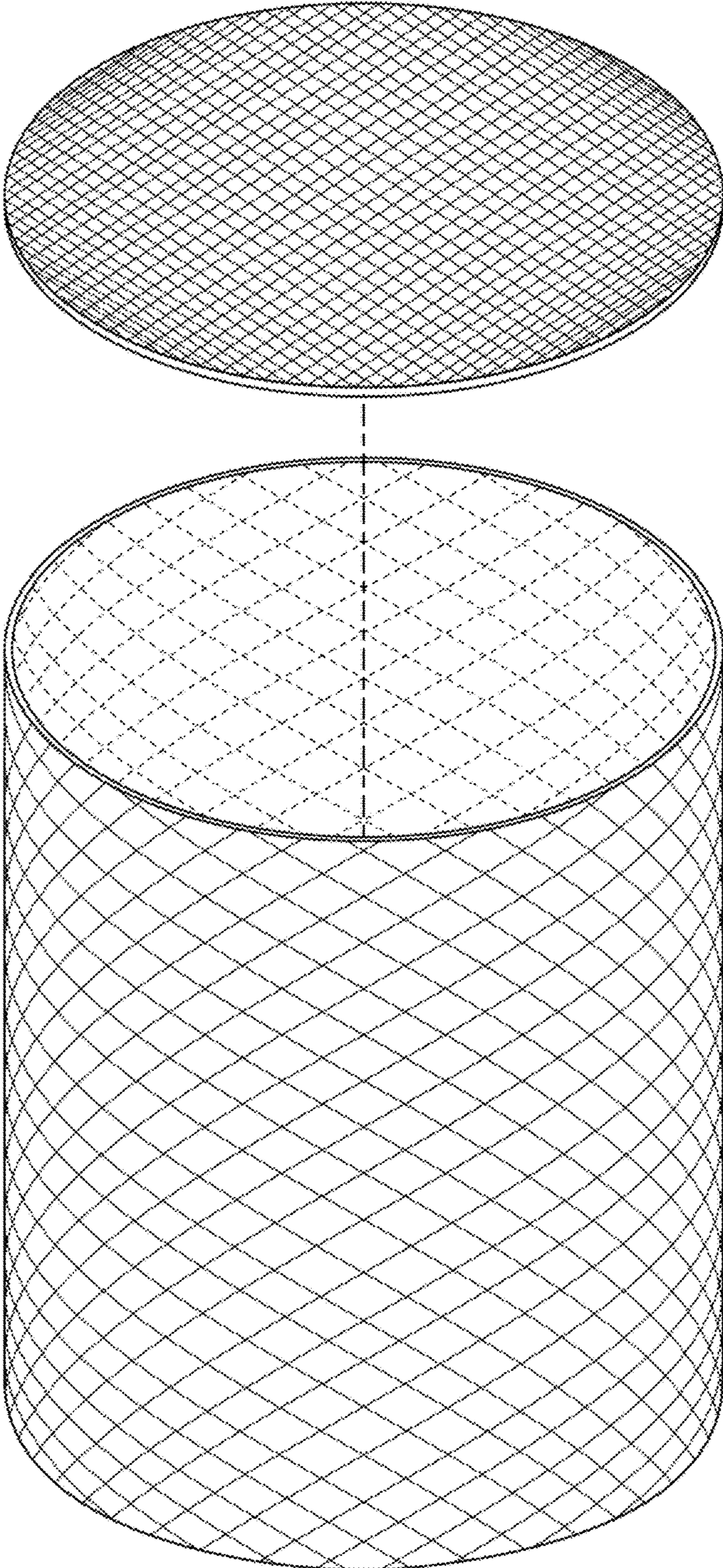


FIG. 8

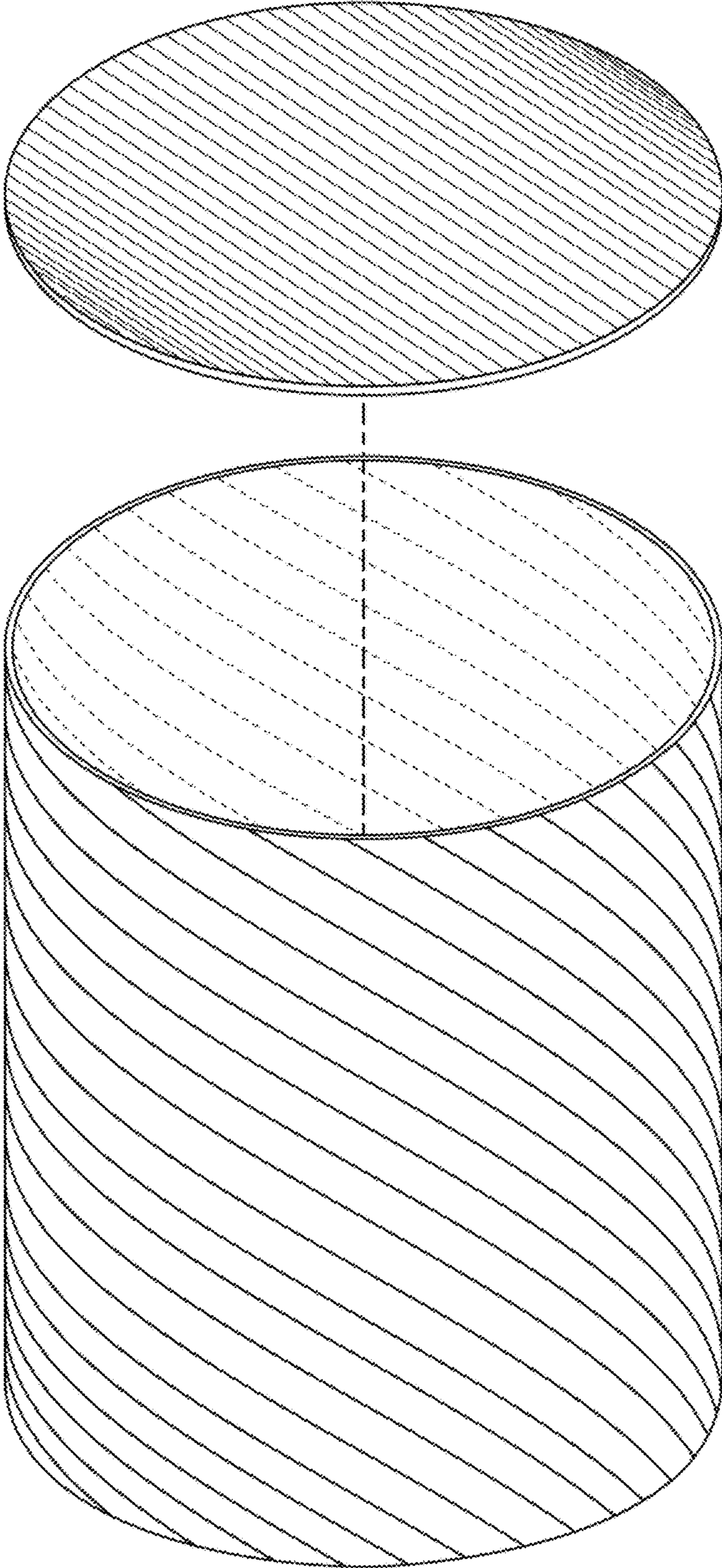


FIG. 9

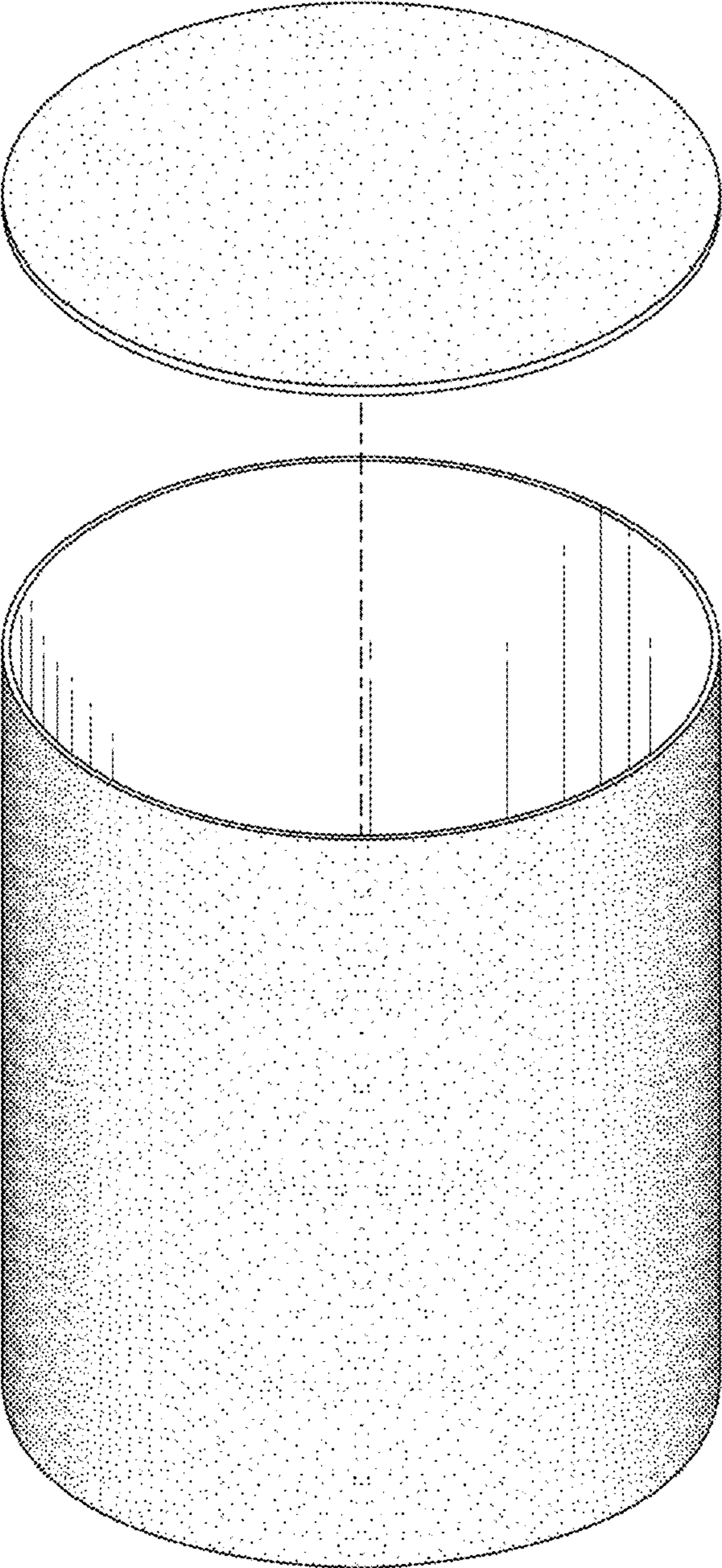


FIG. 10