



US00D813482S

(12) **United States Design Patent**  
**Fastabend et al.**

(10) **Patent No.:** **US D813,482 S**  
(45) **Date of Patent:** **\*\* Mar. 20, 2018**

(54) **CLEANING TOOL**

(71) Applicant: **Prince Castle LLC**, Carol Stream, IL (US)

(72) Inventors: **Mark E. Fastabend**, Chicago, IL (US);  
**Simon D. Lopeman**, Surrey (GB); **Eloy Cerda**, Summit, IL (US)

(73) Assignee: **Prince Castle LLC**, Carol Stream, IL (US)

(\*\*) Term: **15 Years**

(21) Appl. No.: **29/569,831**

(22) Filed: **Jun. 30, 2016**

(51) **LOC (11) Cl.** ..... **07-05**

(52) **U.S. Cl.**  
USPC ..... **D32/46**

(58) **Field of Classification Search**  
USPC .... D32/40-49, 25, 30, 32-33; D7/683, 653;  
D8/11-13, 394-396  
See application file for complete search history.

(56) **References Cited**

U.S. PATENT DOCUMENTS

D242,687 S	*	12/1976	Broberg, Jr. ....	D32/49
D273,932 S	*	5/1984	Gates .....	D8/330
D296,076 S	*	6/1988	Neuenschwander .....	D8/395
D299,997 S	*	2/1989	Tucker .....	D7/653
D311,126 S	*	10/1990	Crowley .....	D8/354
D317,250 S	*	6/1991	Shook .....	D8/380
5,437,074 A	*	8/1995	White .....	A47L 13/02 15/105
D375,718 S	*	11/1996	Lazzeroni .....	D12/114
D386,859 S	*	11/1997	Rostron .....	D32/49
D422,486 S	*	4/2000	Wolfe .....	D8/395

D459,953 S	*	7/2002	Wang .....	D7/683
D620,659 S	*	7/2010	Christie .....	D32/46
D623,371 S	*	9/2010	Li .....	D32/40
D665,656 S	*	8/2012	Anzelmo .....	D8/380
D703,520 S	*	4/2014	Schopf .....	D8/394
D724,284 S	*	3/2015	Warner .....	D32/40
D732,255 S	*	6/2015	Edwins .....	D32/49
D732,741 S	*	6/2015	Bowling .....	D28/91.2
D749,399 S	*	2/2016	Jenkins .....	D8/354
D774,874 S	*	12/2016	Wentzel .....	D8/349
D799,106 S	*	10/2017	Adams, IV .....	D26/138
D802,238 S	*	11/2017	McBrady .....	D32/43

FOREIGN PATENT DOCUMENTS

EM	000038906-0001	*	10/2003
EM	001407969-0002	*	5/2014
KR	300834541.0000	*	1/2016

\* cited by examiner

*Primary Examiner* — John Windmuller

*Assistant Examiner* — John R Yeh

(74) *Attorney, Agent, or Firm* — Andrus Intellectual Property Law, LLP

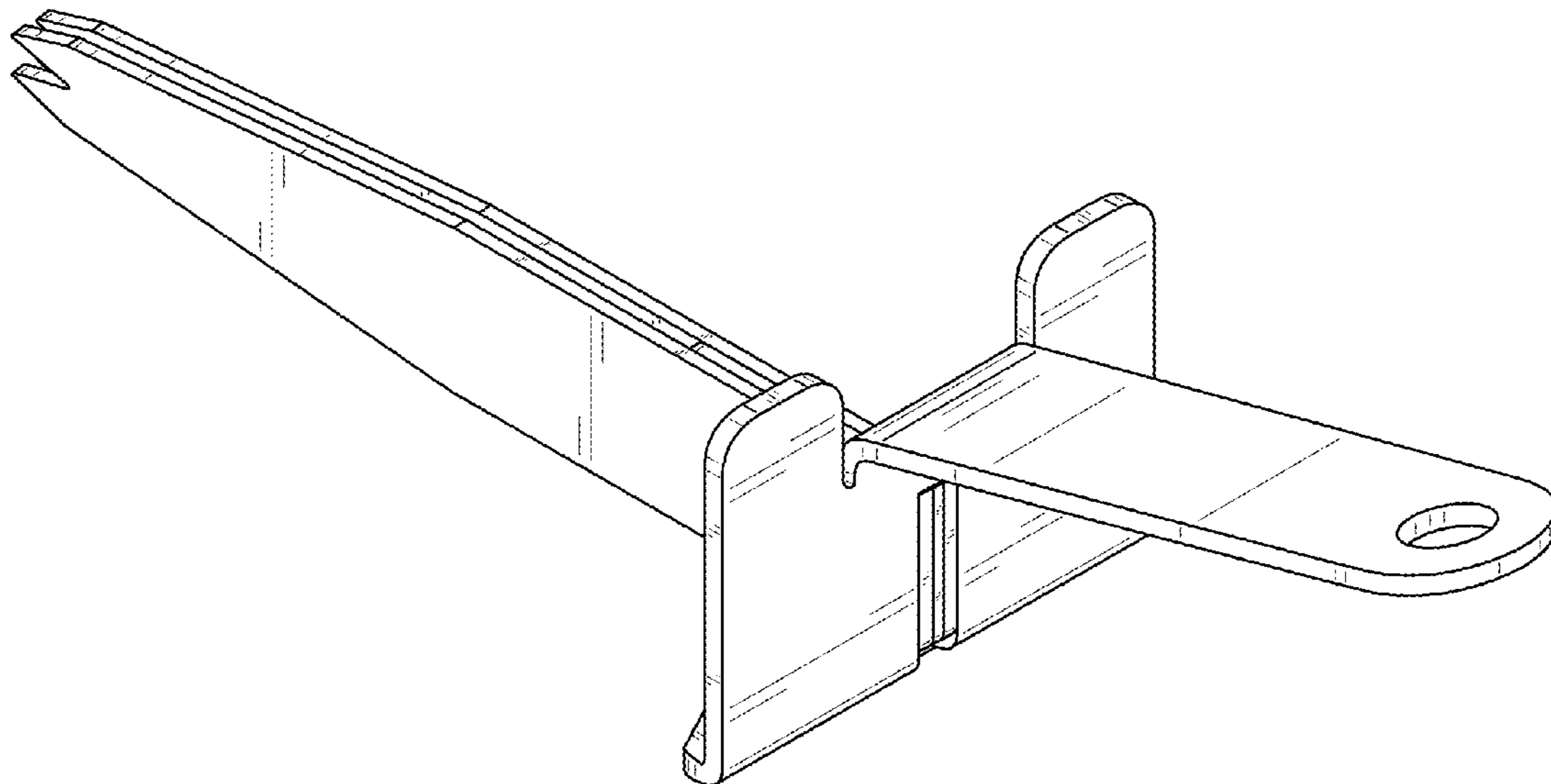
(57) **CLAIM**

The ornamental design for a cleaning tool, as shown and described.

**DESCRIPTION**

FIG. 1 is a perspective view of a cleaning tool;  
FIG. 2 is a front view thereof;  
FIG. 3 is a back view thereof;  
FIG. 4 is a right view thereof;  
FIG. 5 is a left side view thereof;  
FIG. 6 is a top side view thereof; and,  
FIG. 7 is a bottom view thereof.

**1 Claim, 7 Drawing Sheets**



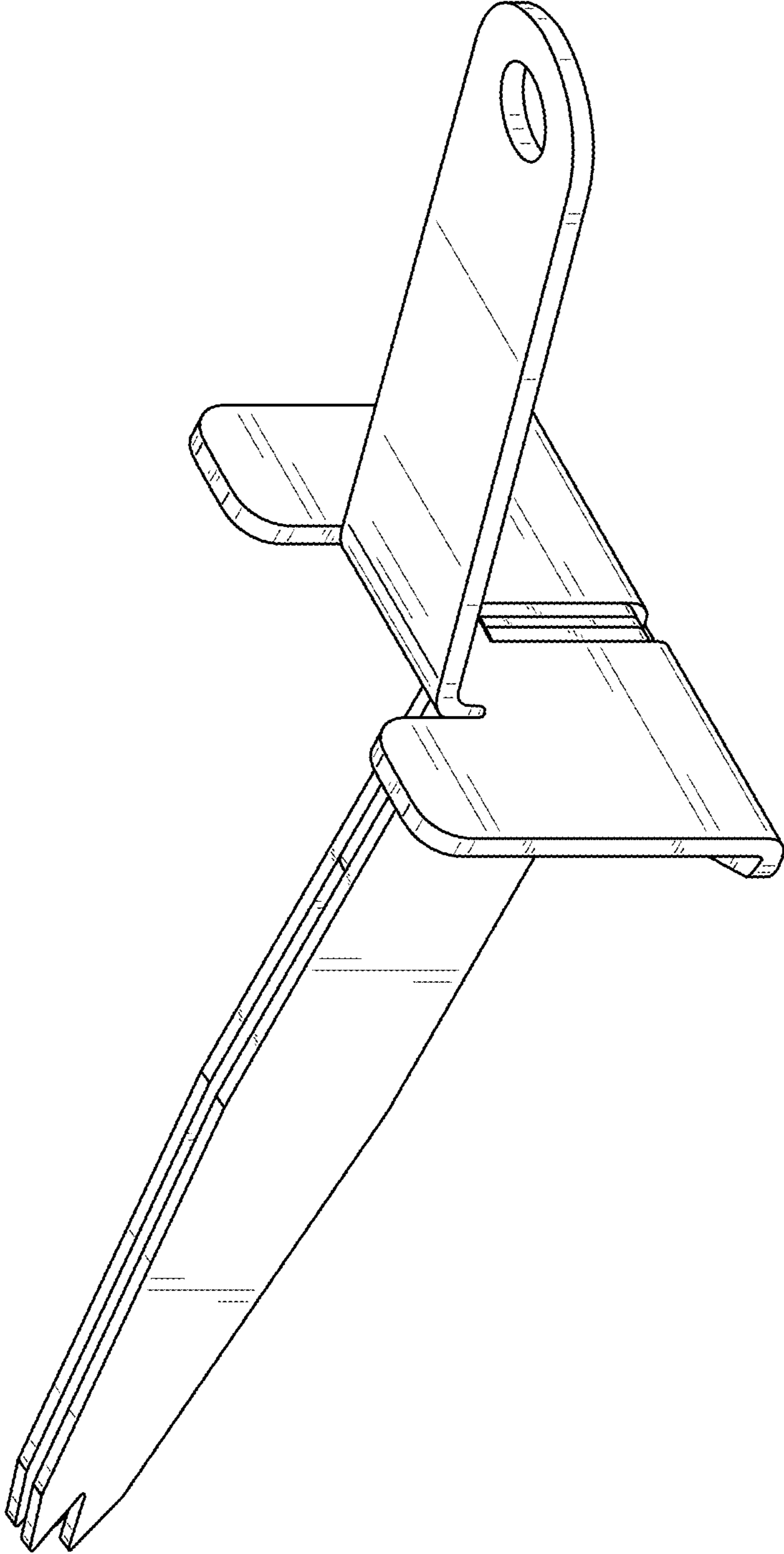


FIG. 1

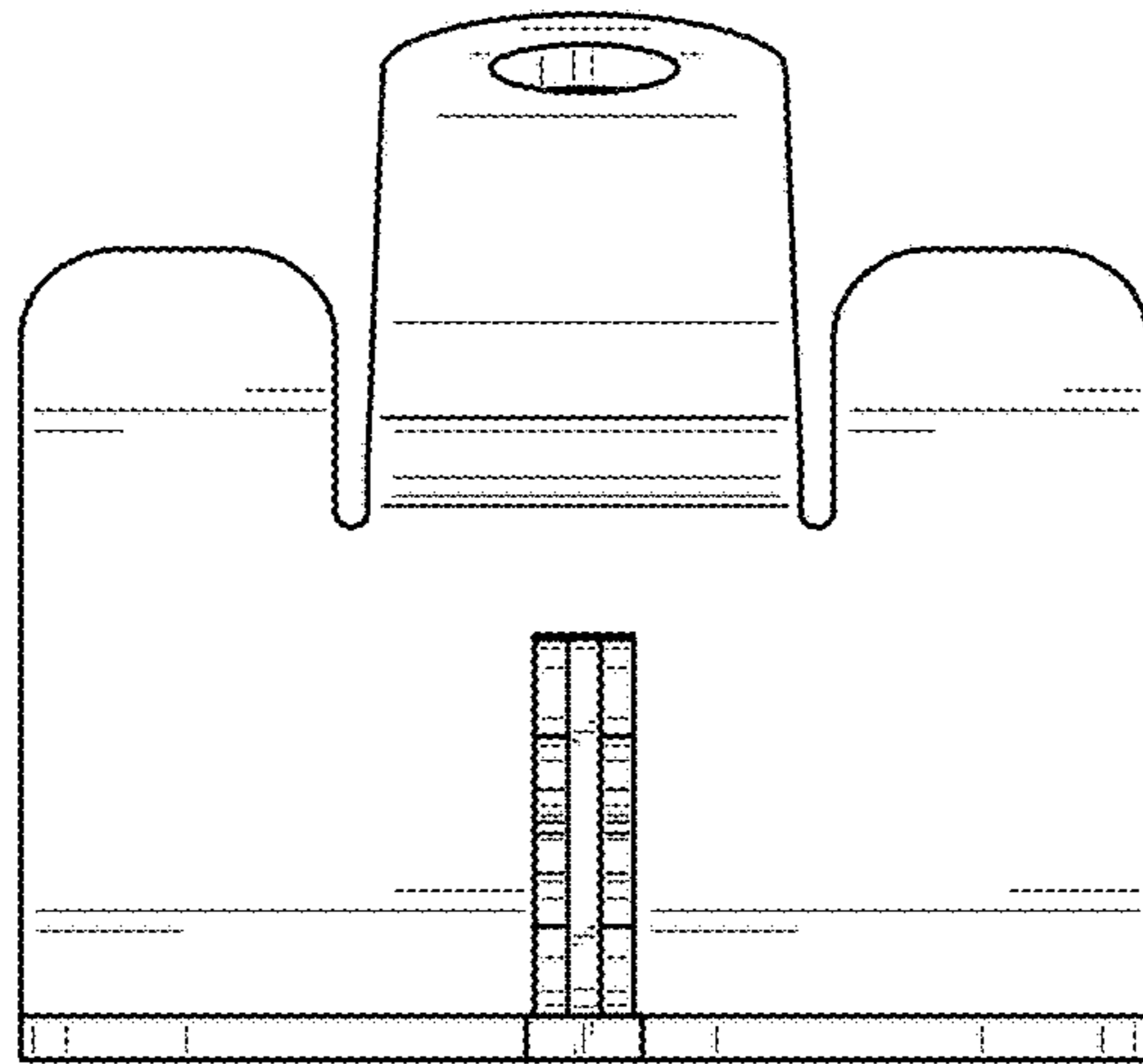


FIG. 2

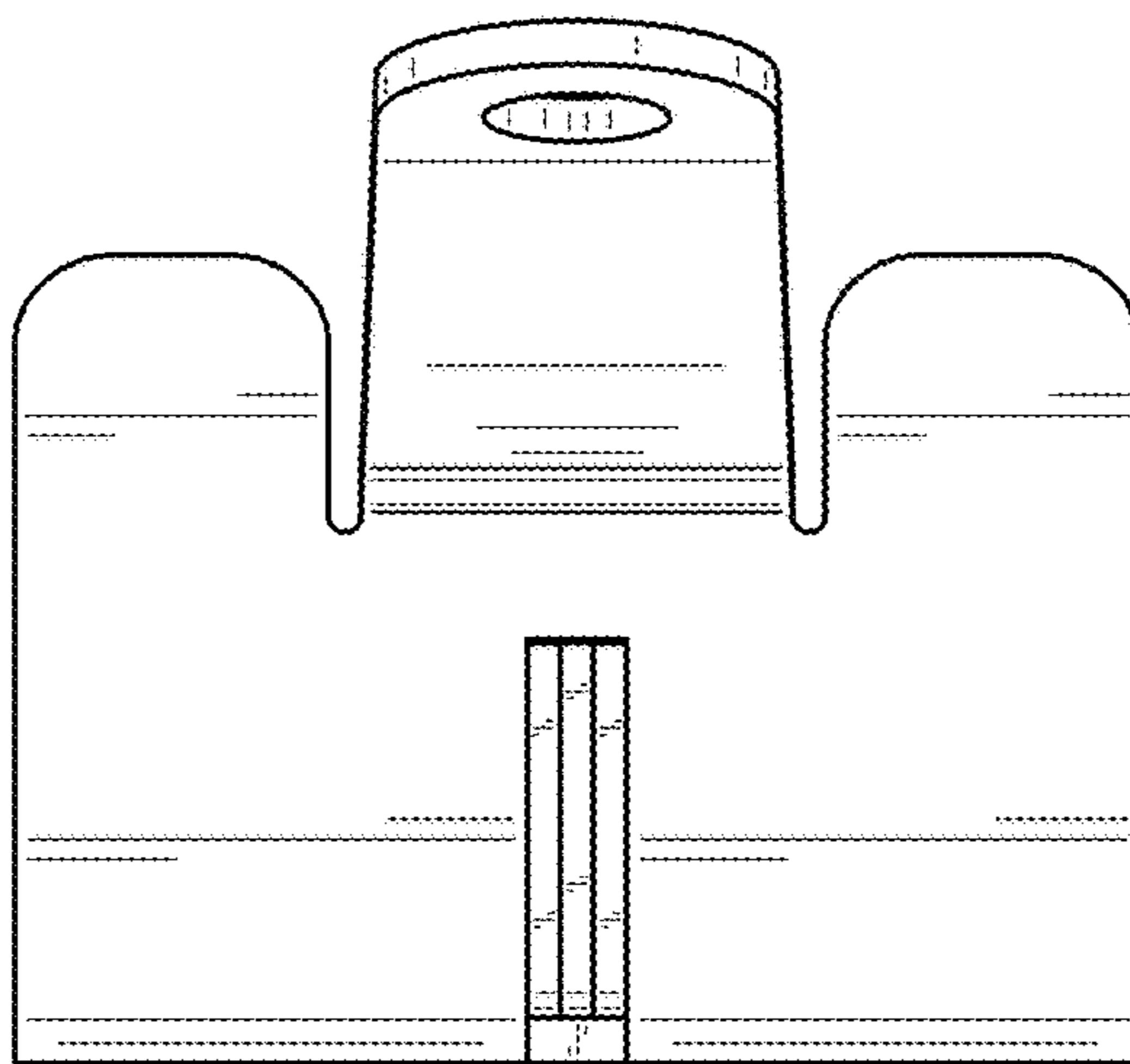


FIG. 3

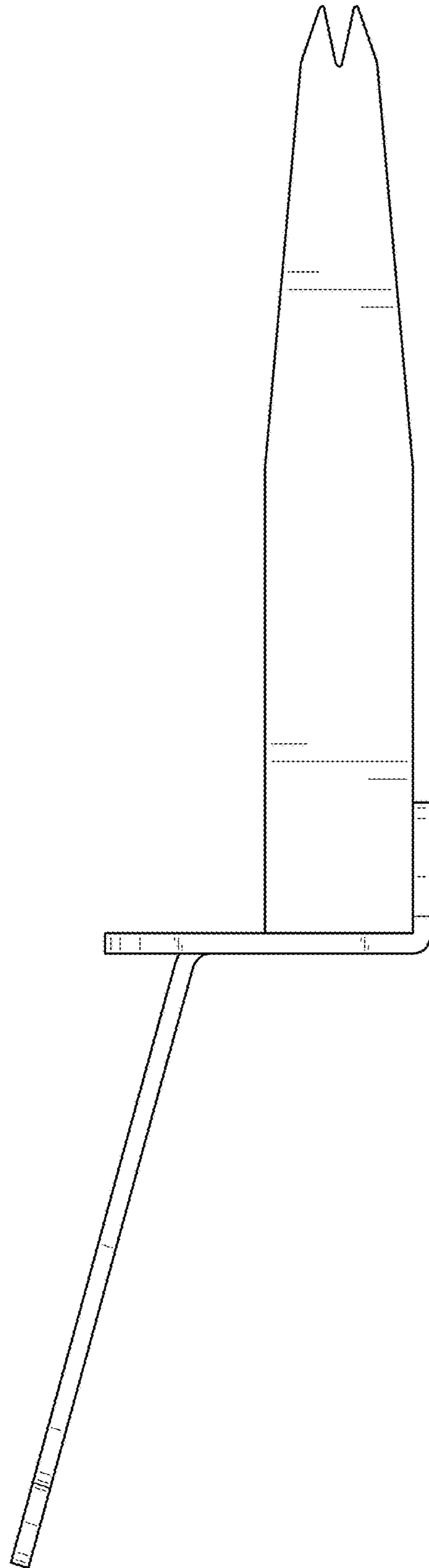


FIG. 4

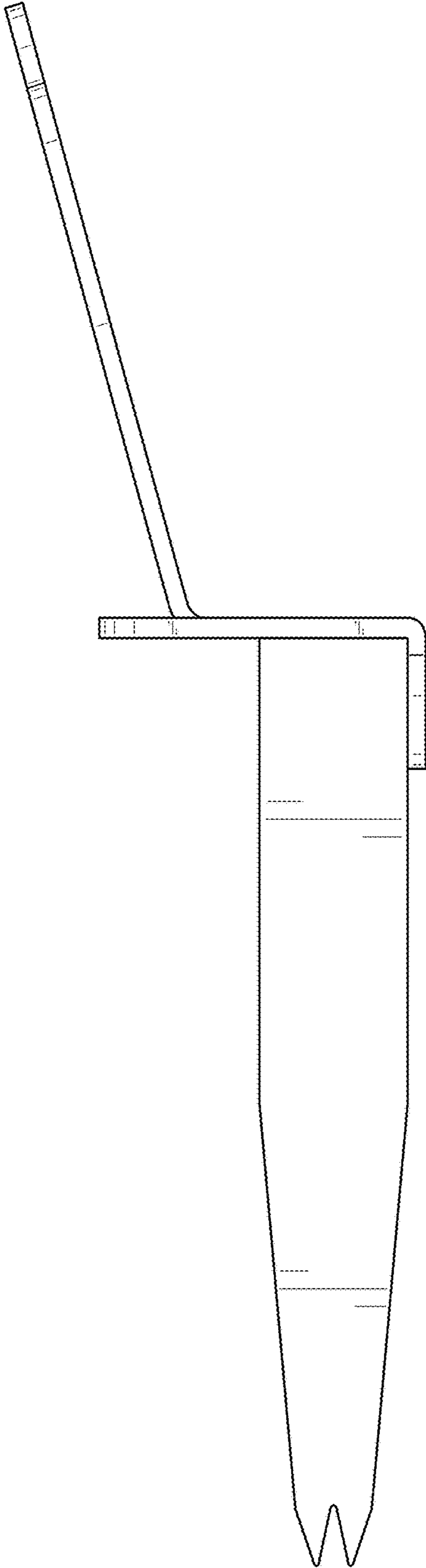


FIG. 5

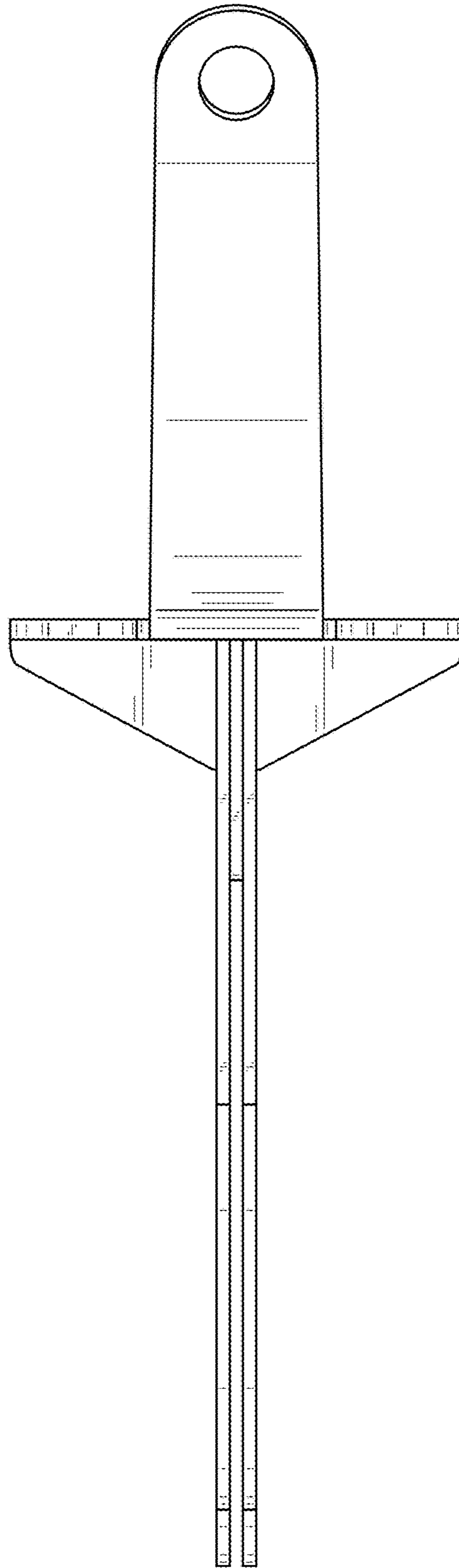


FIG. 6

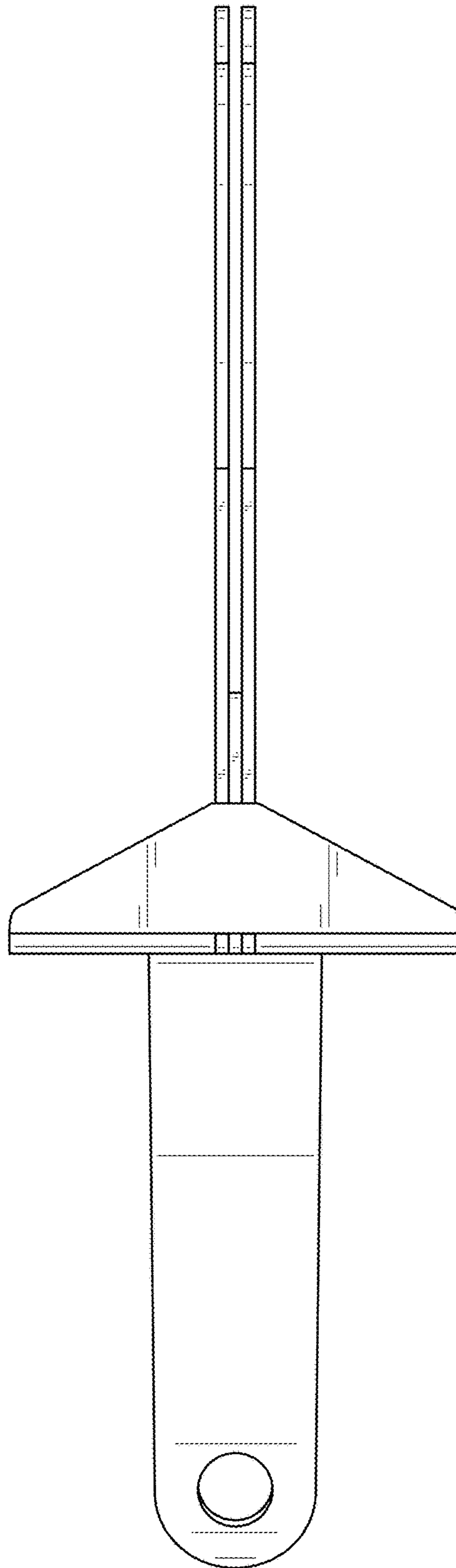


FIG. 7