



US00D813477S

(12) **United States Design Patent**
Kim

(10) **Patent No.:** **US D813,477 S**
(45) **Date of Patent:** **** Mar. 20, 2018**

- (54) **DUST CANISTER FOR CLEANER**
- (71) Applicant: **Samsung Electronics Co., Ltd.**,
Suwon-si (KR)
- (72) Inventor: **Kyungtae Kim**, Suwon-si (KR)
- (73) Assignee: **SAMSUNG ELECTRONICS CO., LTD.**,
Suwon-si (KR)
- (**) Term: **15 Years**

D668,408 S *	10/2012	Kim	D32/31
D669,237 S *	10/2012	Kim	D32/31
D676,620 S *	2/2013	Lindom	D32/31
D703,889 S *	4/2014	Shin	D32/18
D703,890 S *	4/2014	Shin	D32/18
D738,052 S *	9/2015	Kim	D32/18
D746,525 S *	12/2015	Yun	D32/31
2004/0134022 A1 *	7/2004	Murphy	A47L 5/28 15/353
2004/0237248 A1 *	12/2004	Oh	A47L 9/104 15/353

(Continued)

- (21) Appl. No.: **29/557,716**
- (22) Filed: **Mar. 11, 2016**
- (30) **Foreign Application Priority Data**

Sep. 11, 2015 (KR)	30-2015-0046421
Sep. 11, 2015 (KR)	30-2015-0046422
Sep. 11, 2015 (KR)	30-2015-0046423

- (51) **LOC (11) Cl.** **15-05**
- (52) **U.S. Cl.**
USPC **D32/31**
- (58) **Field of Classification Search**
USPC D32/17-18, 21-25, 31
CPC . A47L 5/28; A47L 9/20; A47L 9/1683; A47L
9/1666; A47L 9/1608; A47L 9/18; A47L
9/0038; A47L 9/127; A47L 9/10; A47L
9/102; A47L 7/0038; B01D 50/002
See application file for complete search history.

(56) **References Cited**

U.S. PATENT DOCUMENTS

D411,359 S *	6/1999	Green	D32/31
D480,521 S	10/2003	Medema		
6,925,680 B2 *	8/2005	Oh	A47L 9/104 15/327.1
6,968,596 B2 *	11/2005	Oh	A47L 9/104 15/353
D541,997 S *	5/2007	Greene	D32/31

OTHER PUBLICATIONS

Unknown, "Samsung Electronics VC-CD701B", published Jan. 7, 2015 on the internet at ywpop.tistory.com: <<http://ywpop.tistory.com/3128>> (Last accessed Oct. 7, 2015).

(Continued)

Primary Examiner — Ruth McInroy
(74) *Attorney, Agent, or Firm* — McAndrews Held & Malloy, Ltd.

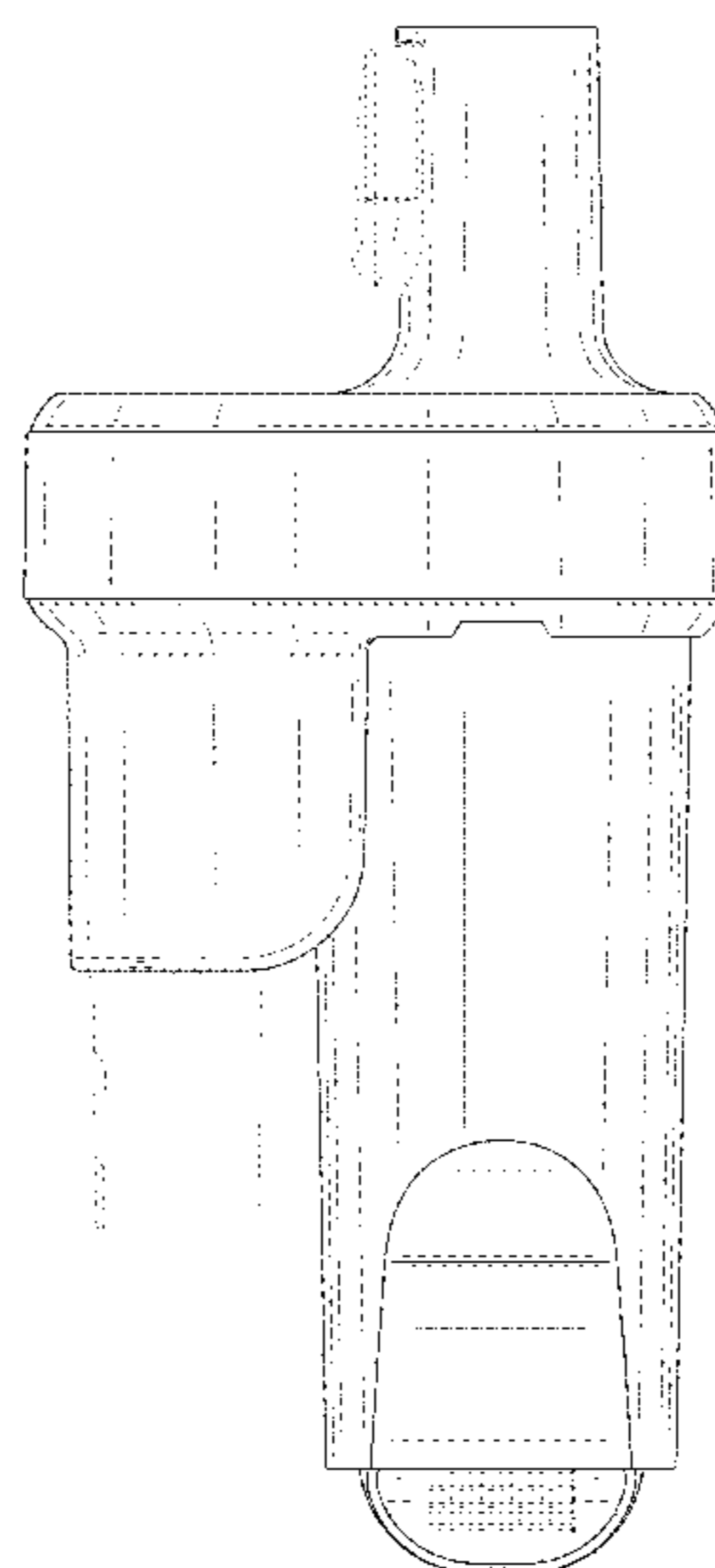
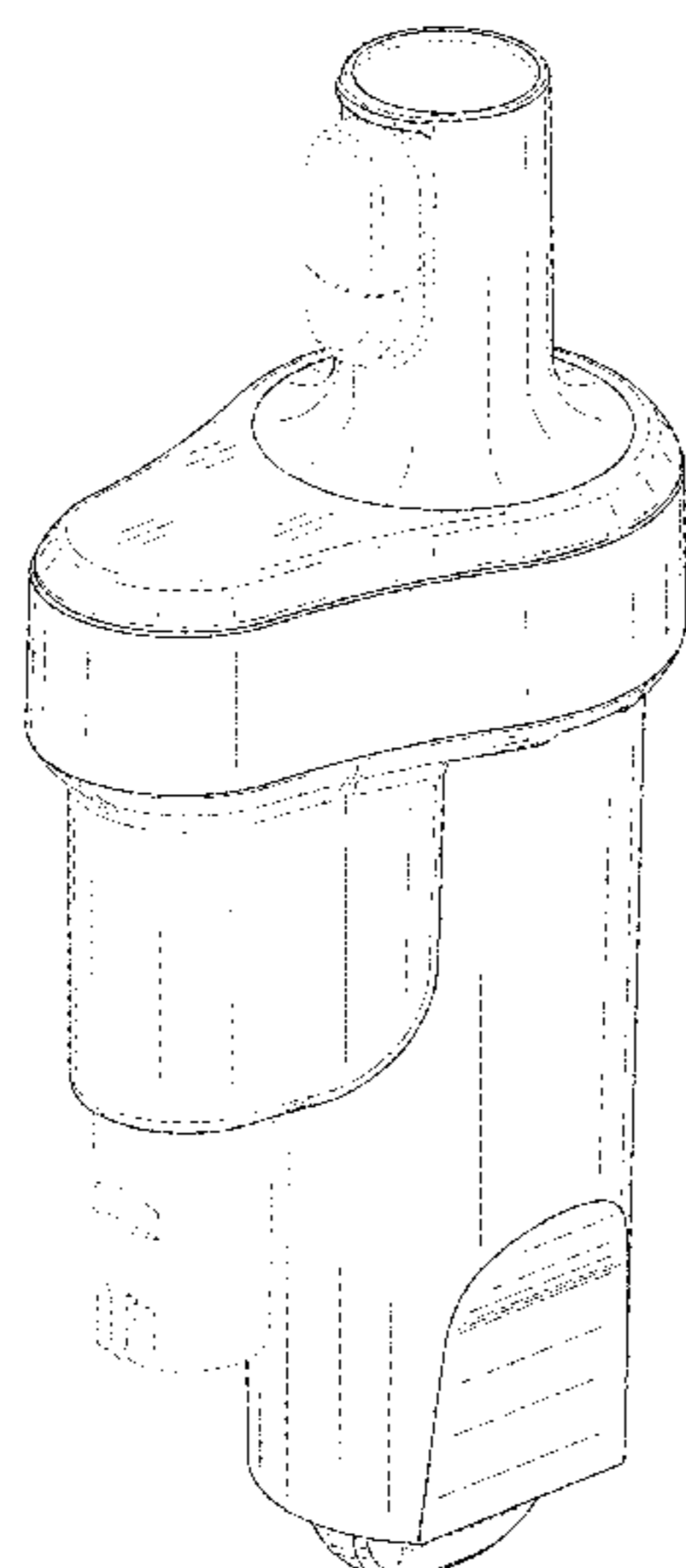
(57) **CLAIM**

The ornamental design for a dust canister for cleaner, as shown and described.

DESCRIPTION

FIG. 1 is a right perspective view of a dust canister for cleaner showing my new design;
FIG. 2 is a front view thereof;
FIG. 3 is a rear view thereof;
FIG. 4 is a left side view thereof;
FIG. 5 is a right side view thereof;
FIG. 6 is a top view thereof;
FIG. 7 is a bottom view thereof; and,
FIG. 8 is a left perspective view thereof.
The dashed broken lines in the drawings represent portions of the dust canister that form no part of the claimed design.

1 Claim, 8 Drawing Sheets



(56)

References Cited

U.S. PATENT DOCUMENTS

2004/0261214 A1* 12/2004 Park A47L 5/225
15/351
2007/0084159 A1* 4/2007 Oh A47L 9/104
55/337

OTHER PUBLICATIONS

Unknown, "Samsung Electronics VC-MCN702", unknown publishing date: <<http://prod.danawa.com/info/?pcode=150065&cate1=72&cate2=80&cate3=84&cate4=0>> (Last accessed Oct. 7, 2015).

Unknown, "Samsung Electronics VC-TU620", unknown publishing date: <http://prod.danawa.com/info/?pcode=1277149#bookmark_product_information> (Last accessed Oct. 7, 2015).

Unknown, "Aqua Filter Vacuum Cleaner", unknown publishing date: <http://www.alibaba.com/product-detail/Aqua-filter-vacuum-Cleaner_294105049.html> (Last accessed Oct. 7, 2015).

* cited by examiner

FIG. 1

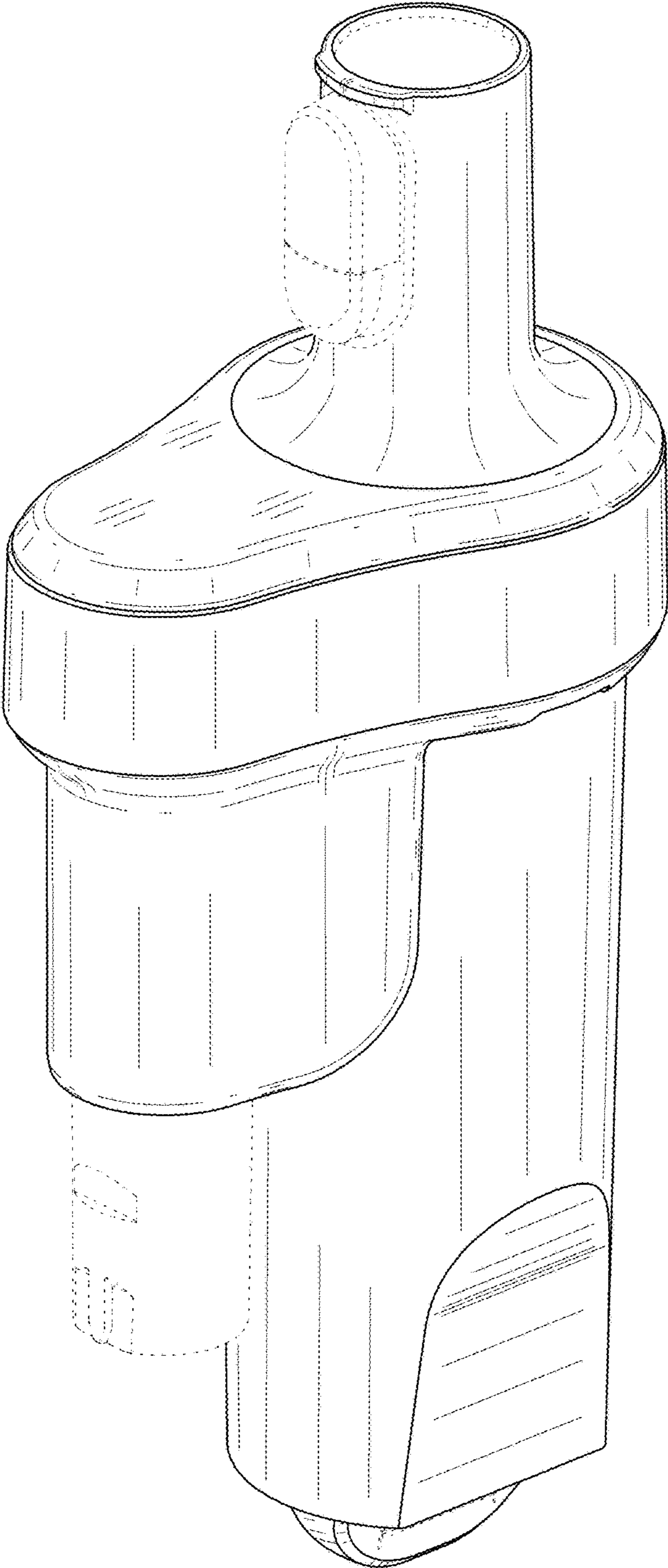


FIG. 2

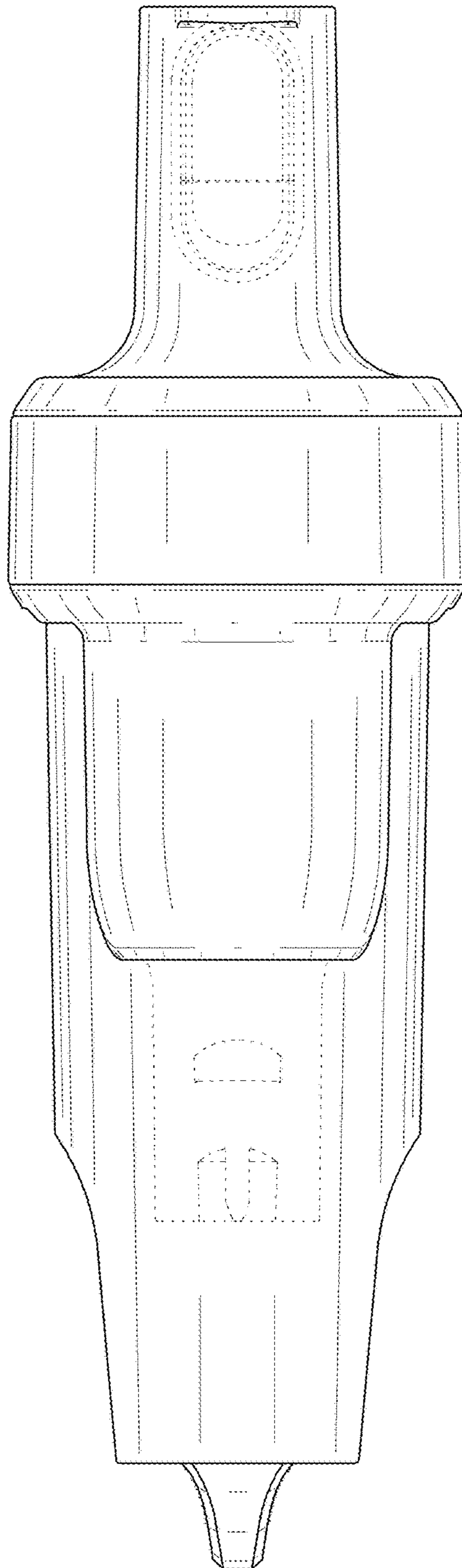


FIG. 3

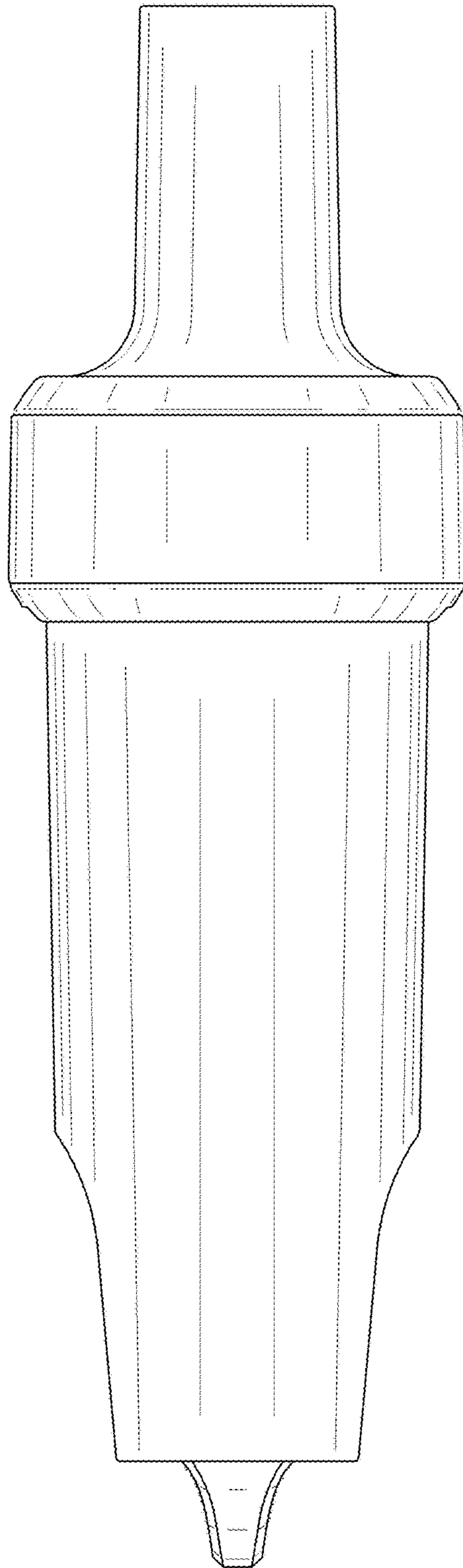


FIG. 4

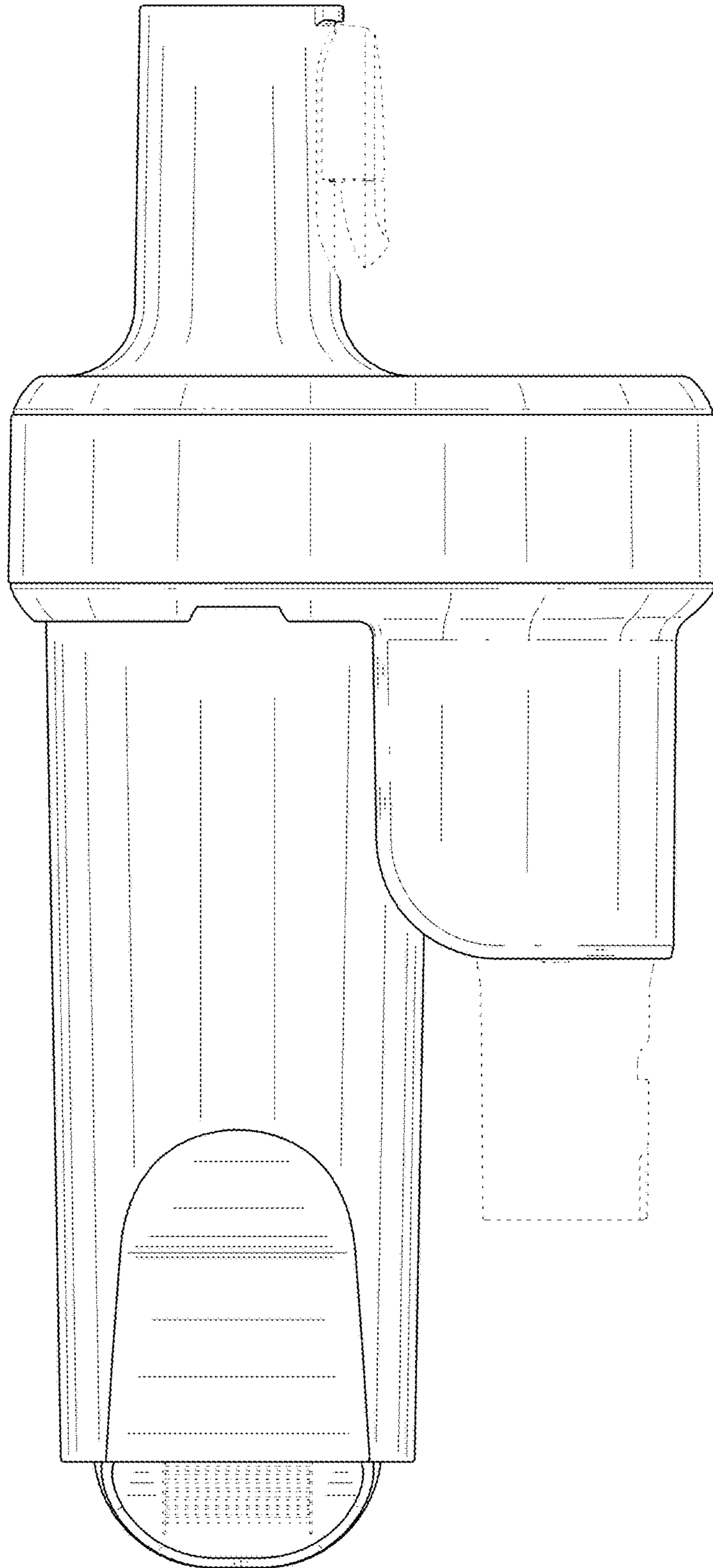


FIG. 5

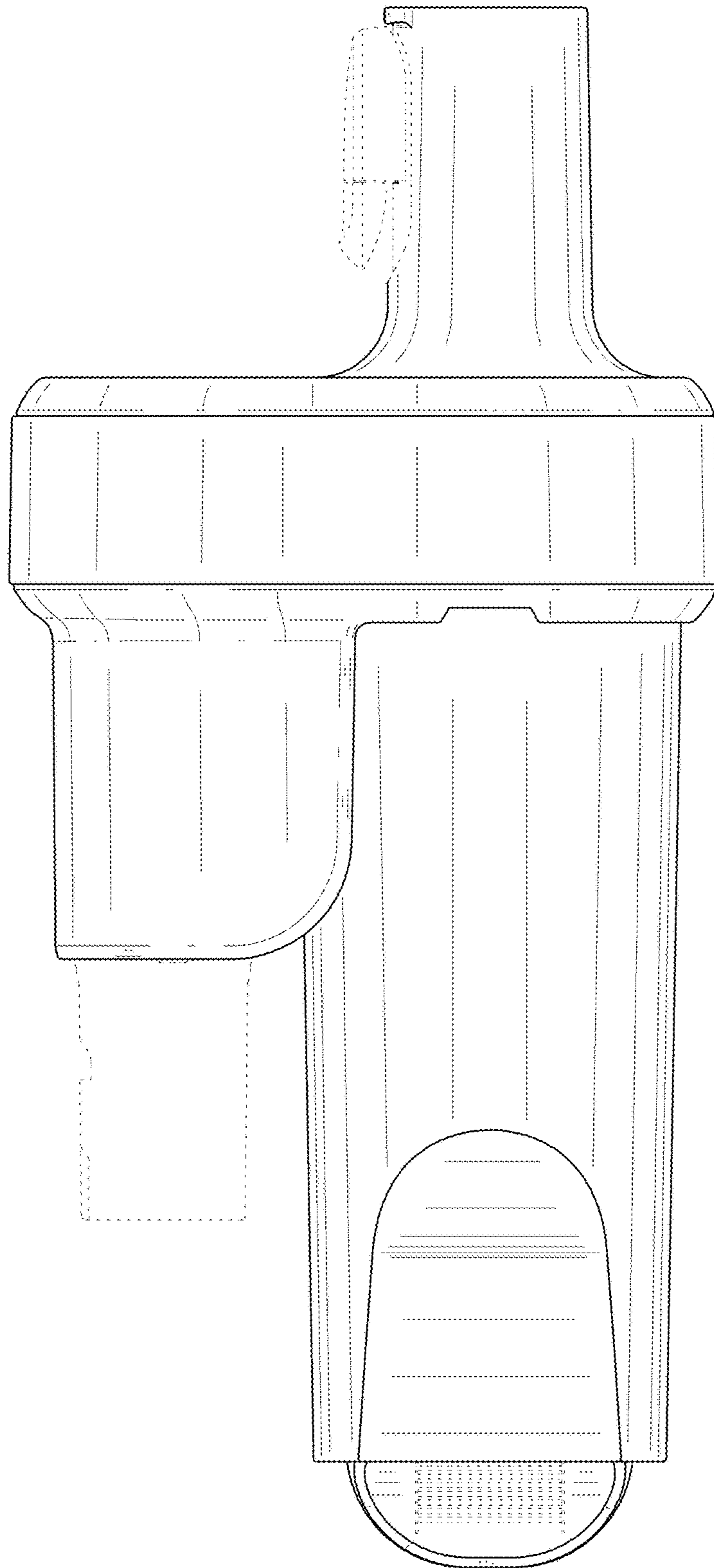


FIG. 6

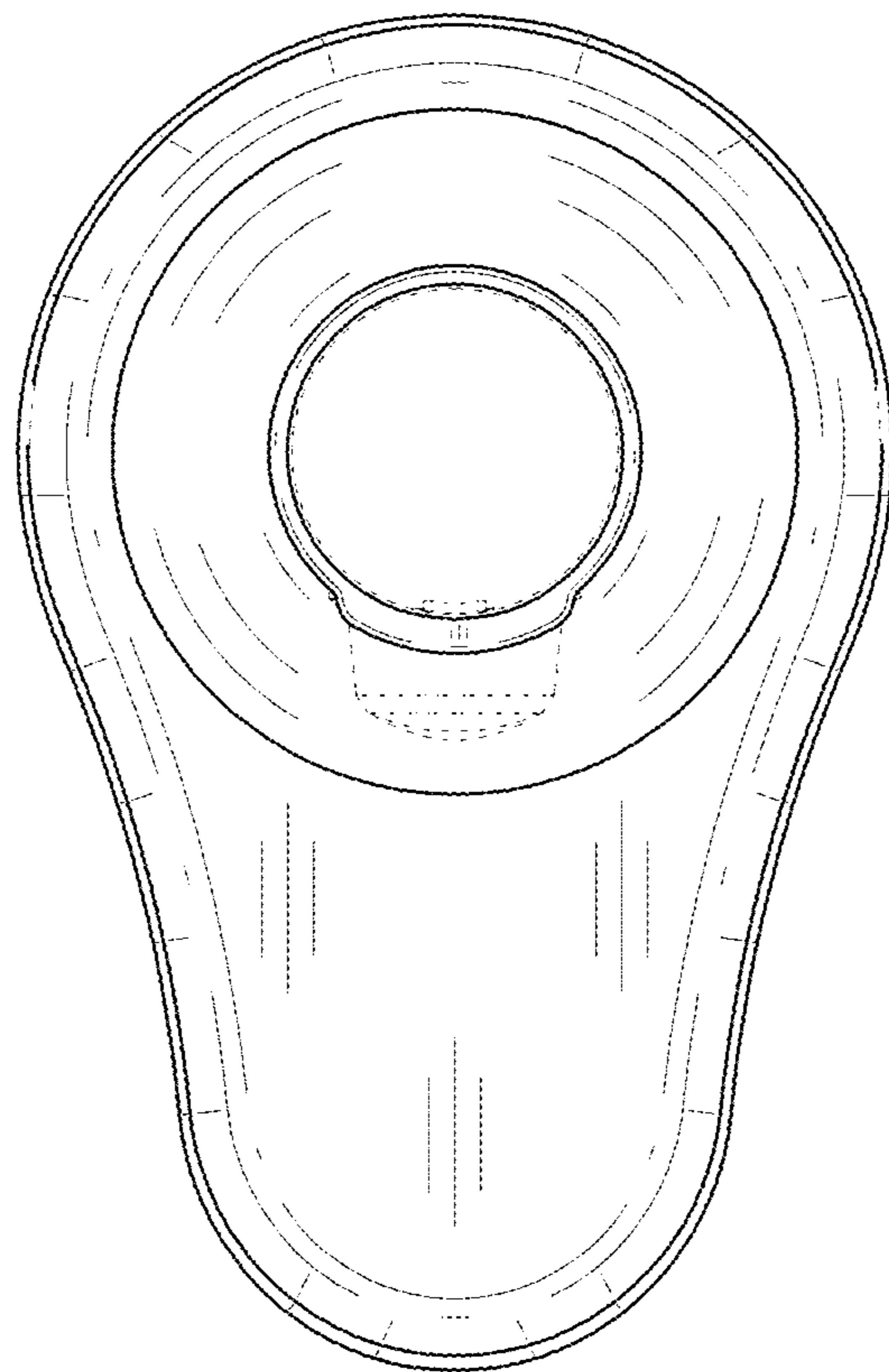


FIG. 7

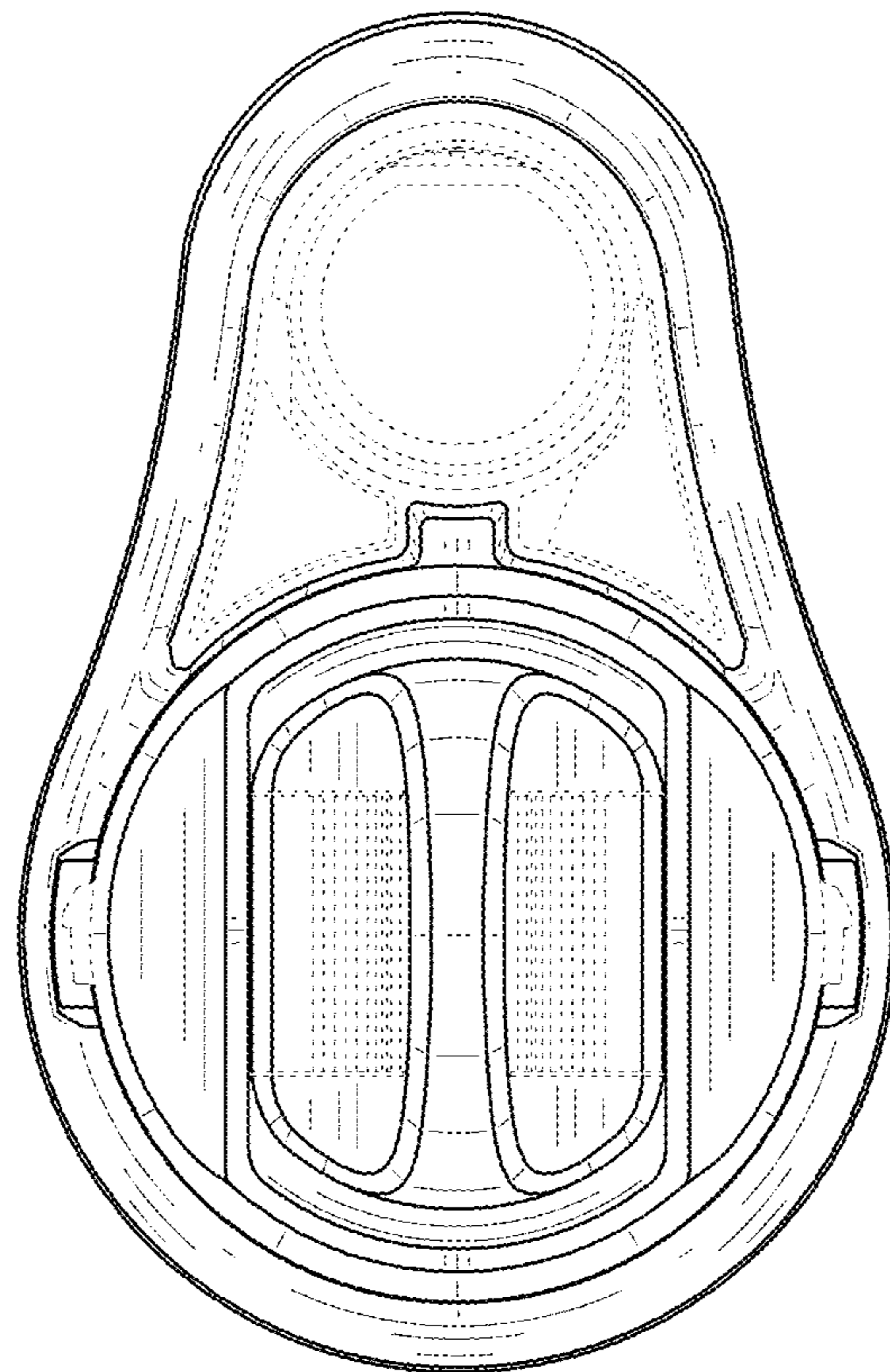


FIG. 8

