



US00D813476S

(12) **United States Design Patent** (10) **Patent No.:** **US D813,476 S**
Lee et al. (45) **Date of Patent:** **** Mar. 20, 2018**

(54) **PREWASHING SINK FOR WASHING MACHINE**

D06F 2204/065; D06F 35/006; A47L 15/4418

See application file for complete search history.

(71) Applicant: **LG ELECTRONICS INC.**, Seoul (KR)

(56) **References Cited**

U.S. PATENT DOCUMENTS

(72) Inventors: **Kyungah Lee**, Seoul (KR); **Nerry Son**, Seoul (KR)

D759,930	S	*	6/2016	Kang	D32/25
D760,985	S	*	7/2016	Joo	D32/25
D760,986	S	*	7/2016	Joo	D32/25
D760,987	S	*	7/2016	Kang	D32/25
D761,502	S	*	7/2016	Joo	D32/6
D762,023	S	*	7/2016	Lee	D32/6
D762,024	S	*	7/2016	Lee	D32/6
D762,931	S	*	8/2016	Joo	D32/25
D775,441	S	*	12/2016	Joo	D32/25
D776,373	S	*	1/2017	Joo	D32/6
D776,389	S	*	1/2017	Joo	D32/67
D781,005	S	*	3/2017	Jang	D32/6
D781,007	S	*	3/2017	Jang	D32/6

(73) Assignee: **LG ELECTRONICS INC.**, Seoul (KR)

(**) Term: **15 Years**

(21) Appl. No.: **35/501,425**

(22) Filed: **Feb. 26, 2016**

* cited by examiner

(80) **Hague Agreement Data**

Primary Examiner — Richard E Chilcot

Int. Filing Date: **Feb. 26, 2016**

(74) *Attorney, Agent, or Firm* — Birch, Stewart, Kolasch & Birch, LLP

Int. Reg. No.: **DM/089781**

Int. Reg. Date: **Feb. 26, 2016**

Int. Reg. Pub. Date: **Aug. 26, 2016**

(57) **CLAIM**

The ornamental design for a prewashing sink for washing machine, as shown and described.

(30) **Foreign Application Priority Data**

DESCRIPTION

Sep. 11, 2015 (KR) 30-2015-0046473

(51) **LOC (11) Cl.** **15-05**

(52) **U.S. Cl.**

USPC **D32/25**

CPC **D06F 29/00** (2013.01)

(58) **Field of Classification Search**

USPC D32/1, 5, 6, 8, 10, 25, 28, 29, 29.1; 68/11, 20, 3 R, 27, 38

CPC D06F 39/045; D06F 29/00; D06F 29/005; D06F 25/00; D06F 39/022; D06F 33/02;

1. Prewashing sink for washing machine

1.1 is a perspective view of a prewashing sink for washing machine showing our new design;

1.2 is a front elevation view thereof;

1.3 is a rear elevation view thereof;

1.4 is a left-side elevation view thereof;

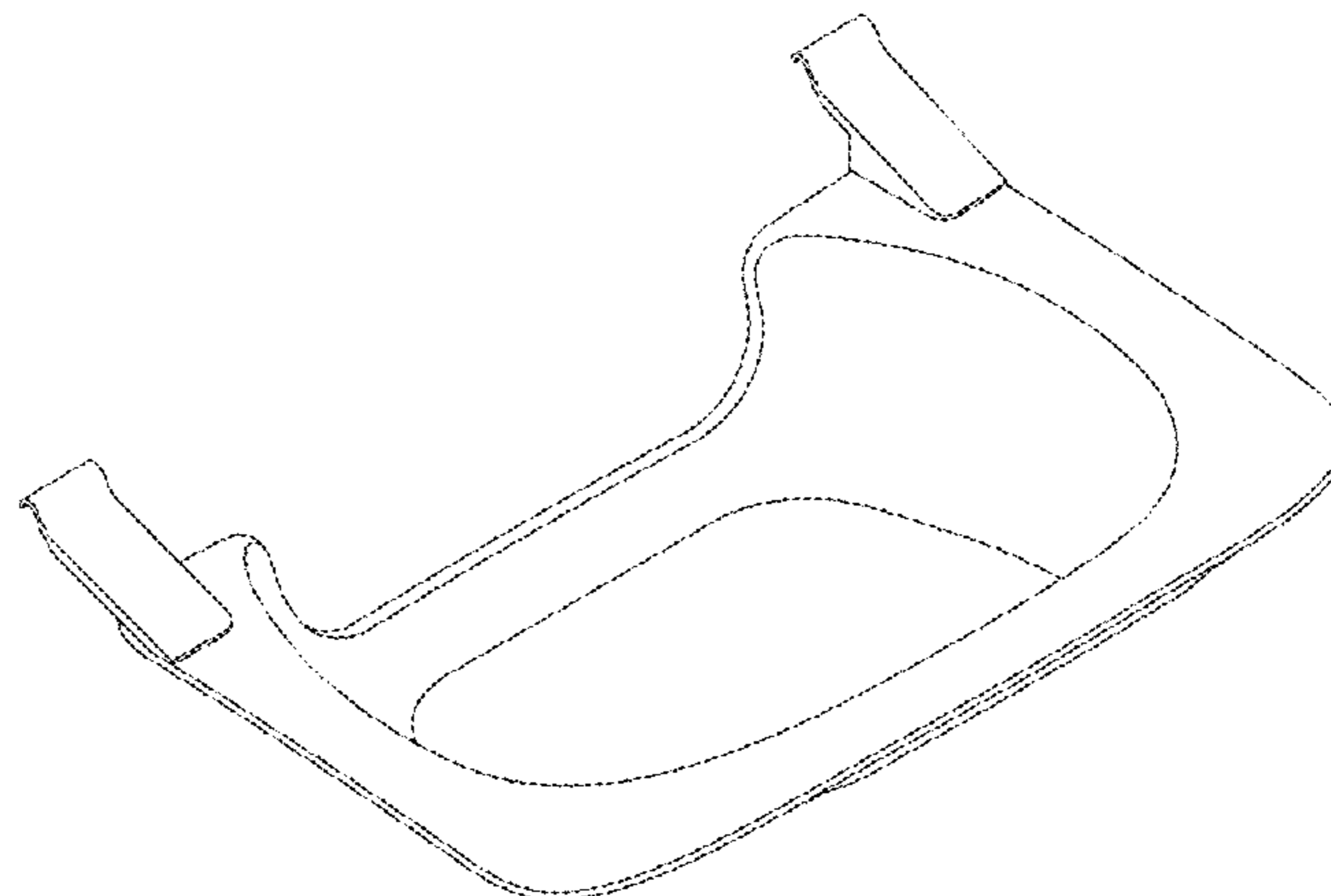
1.5 is a right-side elevation view thereof;

1.6 is a top plan view thereof;

1.7 is a bottom plan view thereof; and

1.8 is a perspective view thereof in a use condition.

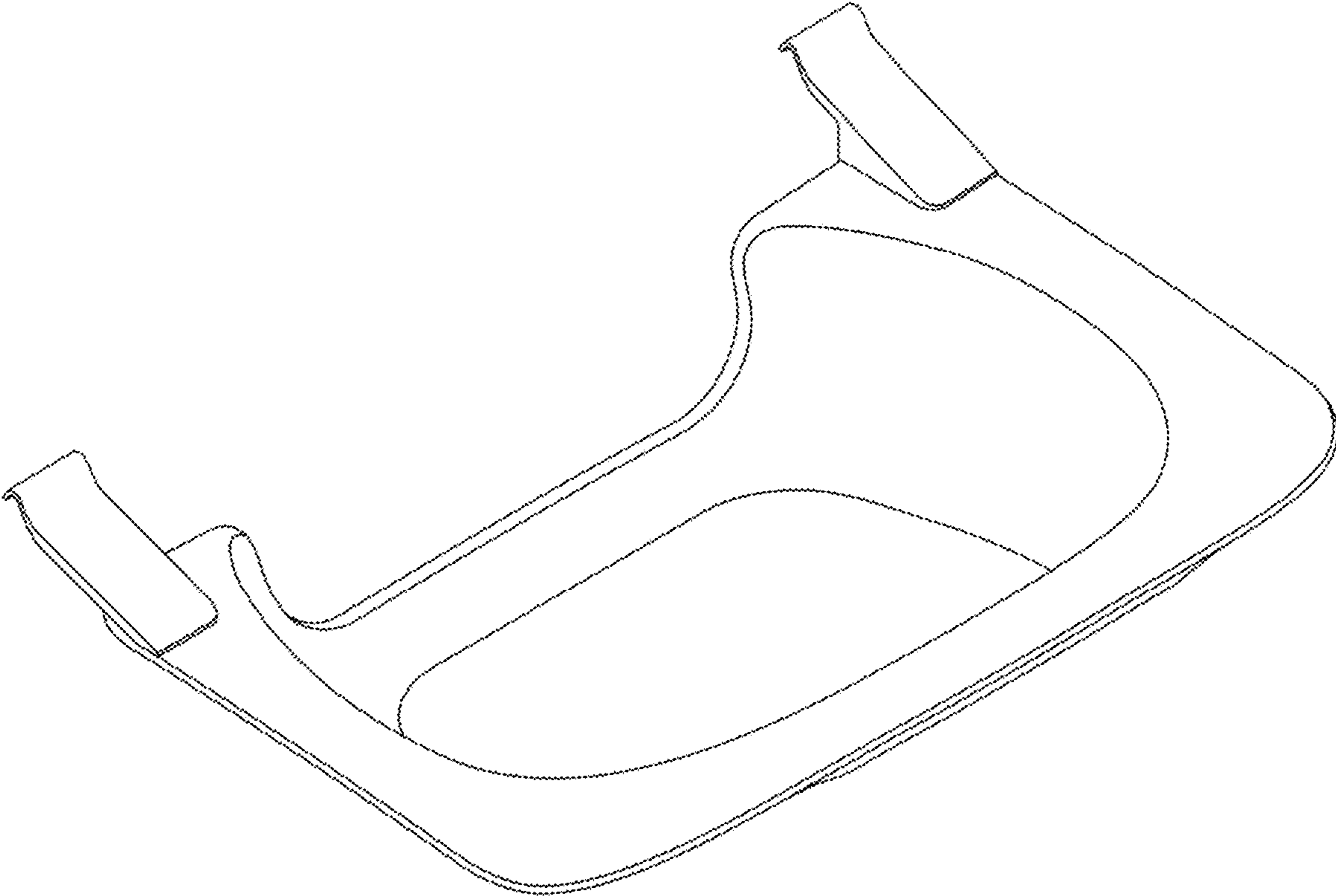
(Continued)



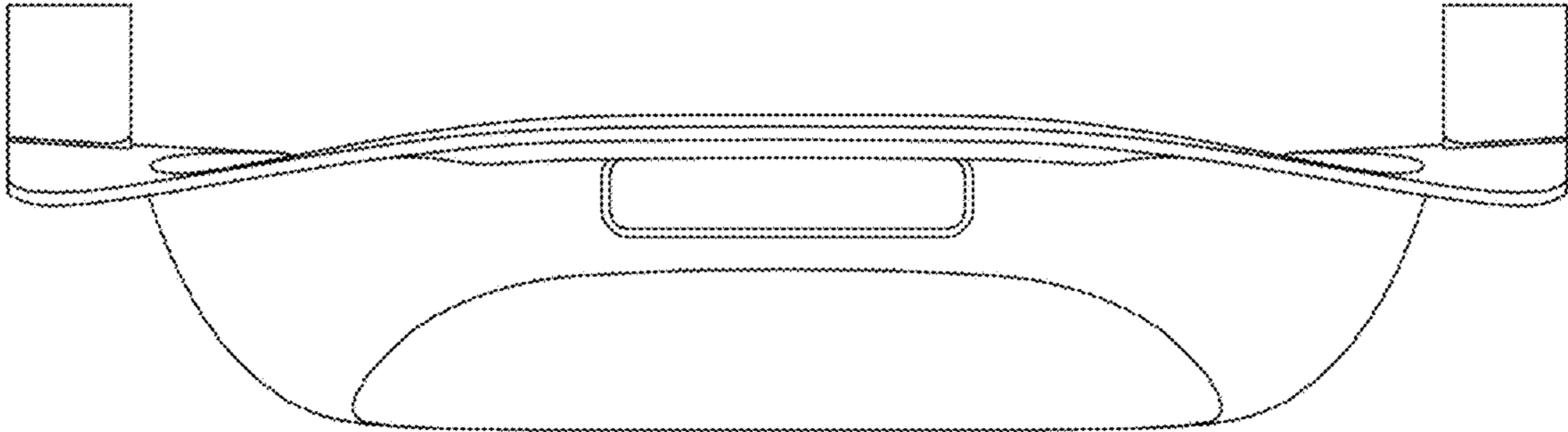
The broken lines in Figure 1.8 illustrating portions of the washing machine form no part of the claimed design.

1 Claim, 8 Drawing Sheets

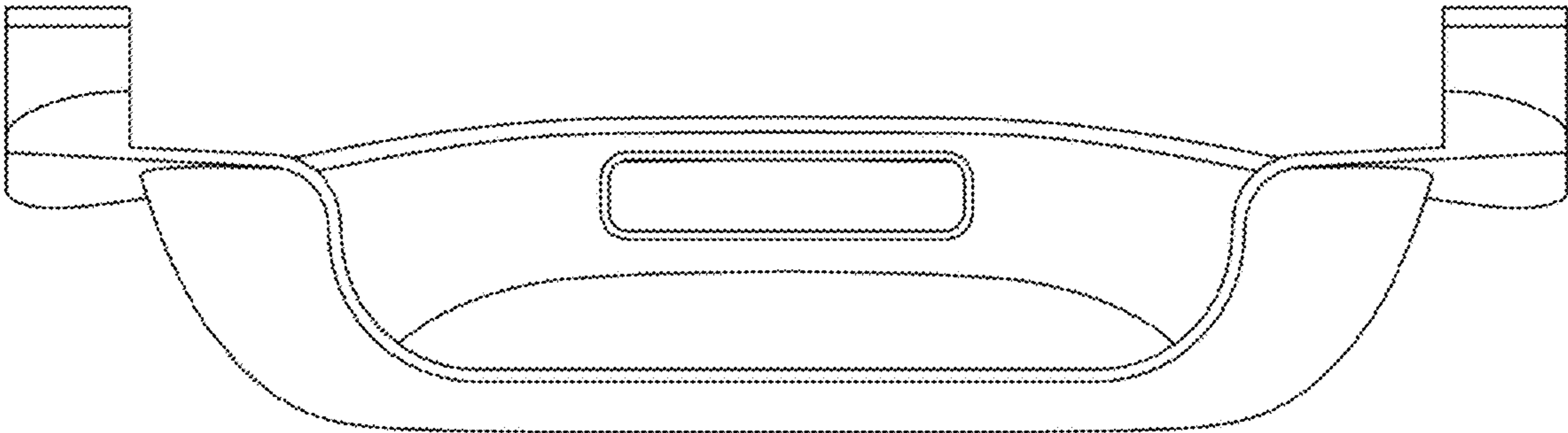
1.1



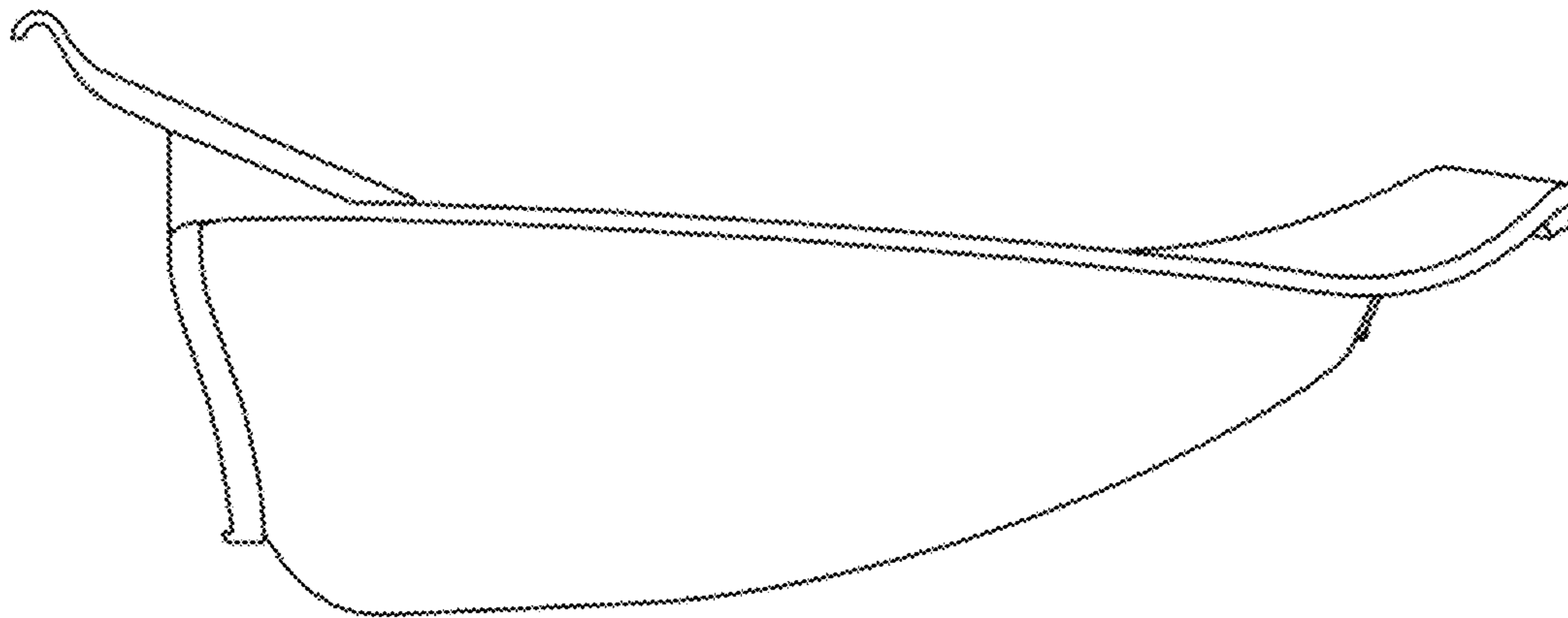
1.2



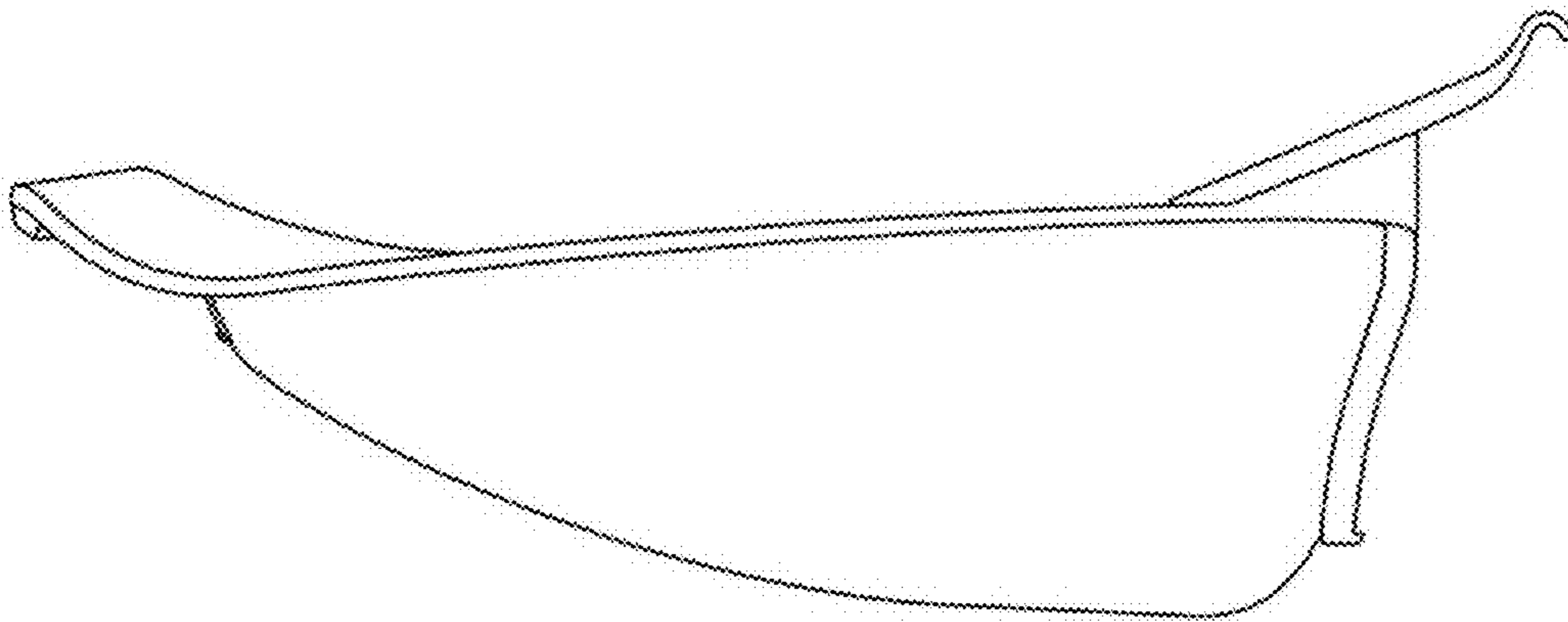
1.3



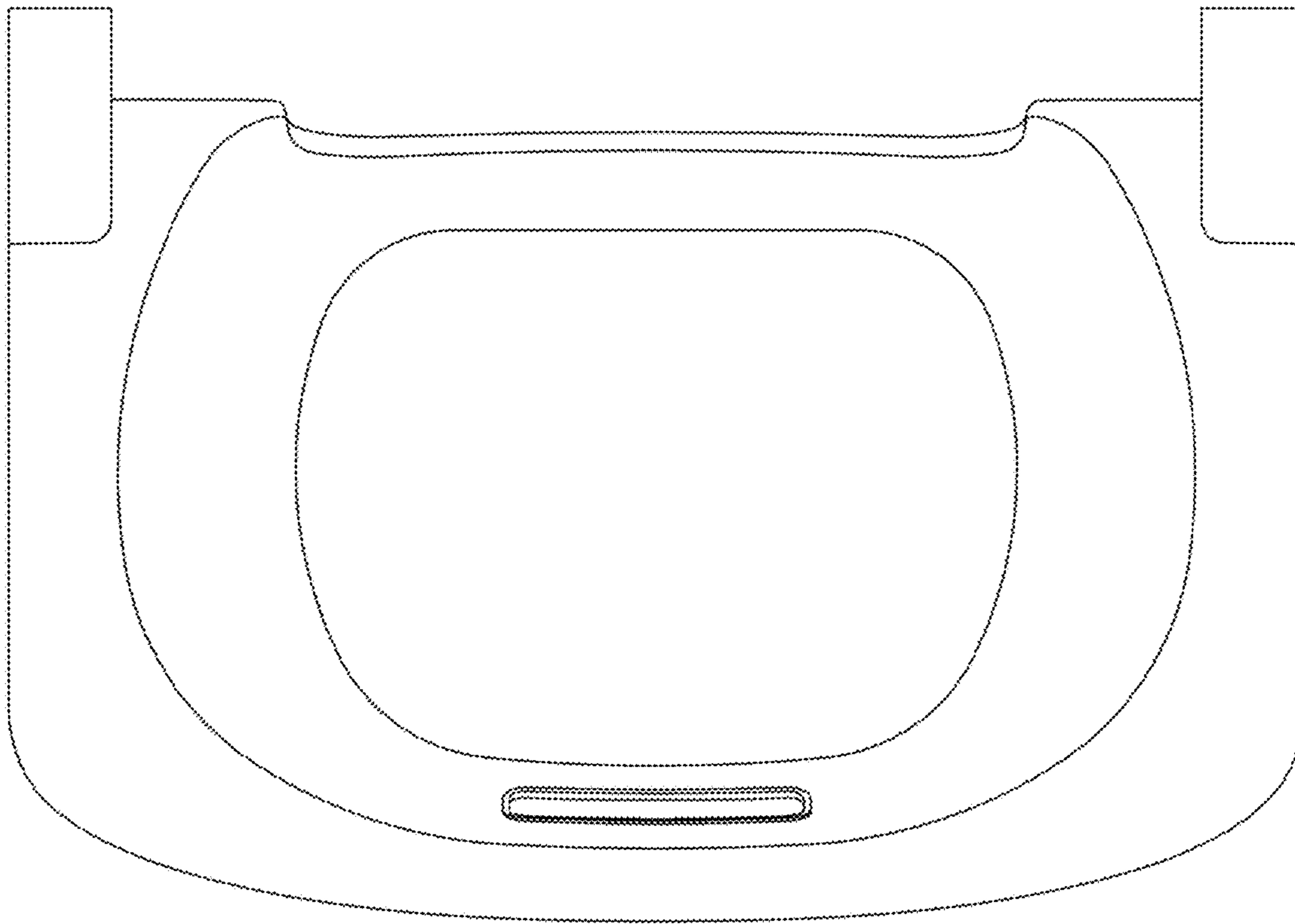
1.4



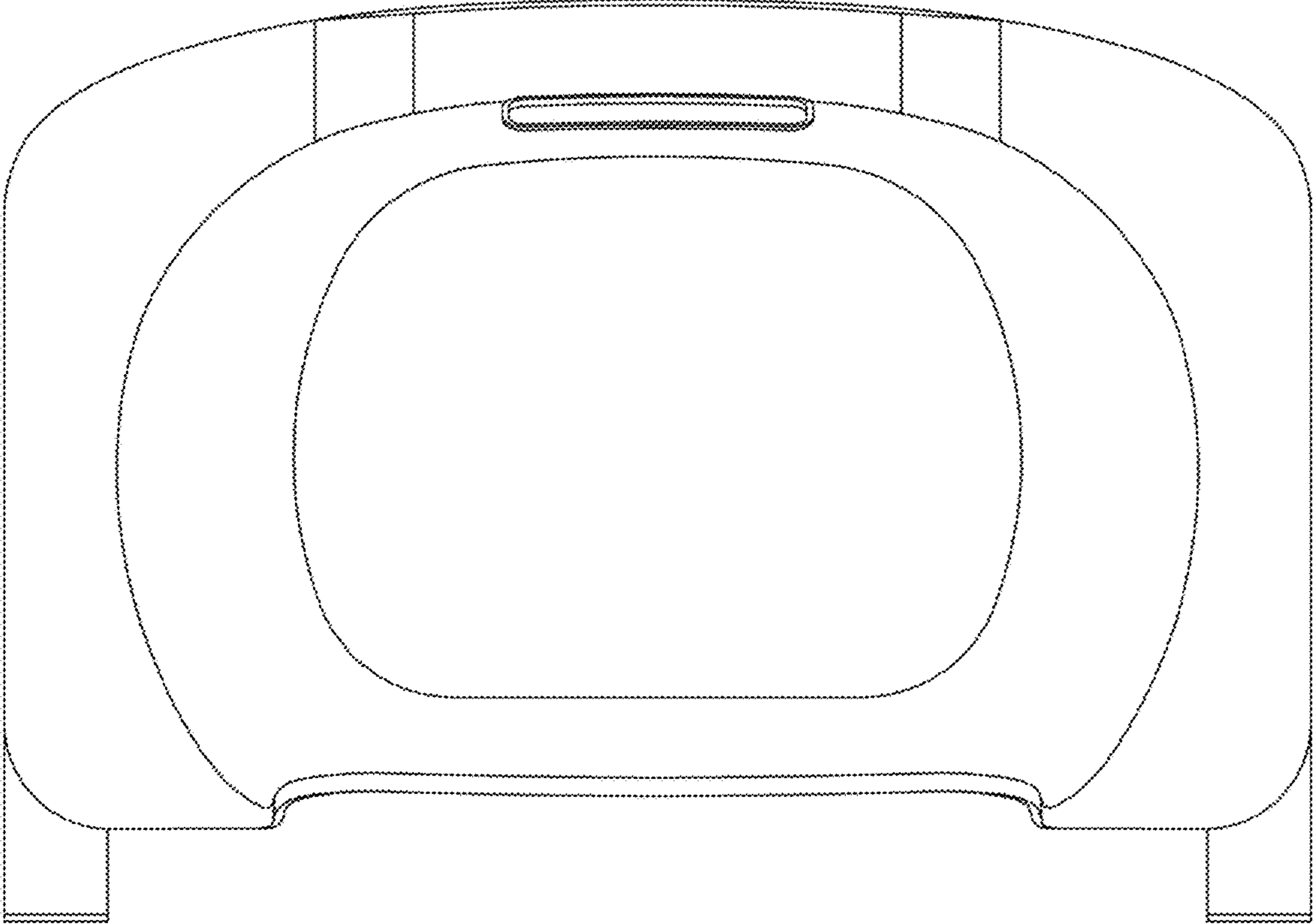
1.5



1.6



1.7



1.8

