



US00D813474S

(12) **United States Design Patent**  
**Holtby et al.**

(10) **Patent No.: US D813,474 S**  
(45) **Date of Patent: \*\* Mar. 20, 2018**

- (54) **WASHING APPARATUS**
- (71) Applicant: **Katch Kan Holdings Ltd.**, Edmonton (CA)
- (72) Inventors: **Quinn A. J. Holtby**, Edmonton (CA); **Dallas Greenwood**, Edmonton (CA)
- (73) Assignee: **Katch Kan Holdings Ltd.**, Edmonton (CA)

- 4,246,675 A \* 1/1981 Costanzo ..... A47L 9/0063  
15/315
- 4,467,494 A \* 8/1984 Jones ..... A47L 9/1418  
15/352
- 4,509,963 A \* 4/1985 Jackson ..... B01D 50/002  
15/340.1
- 4,723,971 A \* 2/1988 Caldas ..... A47L 5/365  
15/340.1
- 4,735,639 A \* 4/1988 Johnstone ..... A47L 5/365  
55/302
- 5,089,037 A \* 2/1992 Marsolais ..... A47L 5/36  
15/323

(\*\*) Term: **15 Years**

(Continued)

(21) Appl. No.: **29/567,431**

**OTHER PUBLICATIONS**

(22) Filed: **Jun. 8, 2016**

<https://www.katchkan.com/systems/kan-cleaning-solutions/>  
(Accessed on Jan. 6, 2018).\*

**Related U.S. Application Data**

(63) Continuation-in-part of application No. 14/923,208, filed on Oct. 26, 2015, now Pat. No. 9,713,829.

*Primary Examiner* — Michelle E Wilson

(74) *Attorney, Agent, or Firm* — Christensen O'Connor Johnson Kindness PLLC

(51) **LOC (11) Cl.** ..... **15-05**

(57) **CLAIM**

(52) **U.S. Cl.**

The ornamental design for a washing apparatus, as shown.

USPC ..... **D32/15**

(58) **Field of Classification Search**

**DESCRIPTION**

USPC ..... D32/1, 15-16, 21; D23/200; D15/7  
CPC ... A47L 9/20; A47L 9/102; A47L 5/36; A47L  
5/365; A47L 9/1418; B08B 3/026; B08B  
3/02; B08B 5/04; B05B 9/0855; B01D  
50/002; B01D 46/0057; F02P 1/083;  
F27B 17/0083

FIG. 1 is a front-left perspective view of a washing apparatus in accordance with the present design;  
FIG. 2 is a front view of the washing apparatus shown in FIG. 1;  
FIG. 3 is a back view of the washing apparatus shown in FIG. 1;  
FIG. 4 is a left side view of the washing apparatus shown in FIG. 1;  
FIG. 5 is a right side view of the washing apparatus shown in FIG. 1;  
FIG. 6 is a top view of the washing apparatus shown in FIG. 1; and,  
FIG. 7 is a bottom view of the washing apparatus shown in FIG. 1.

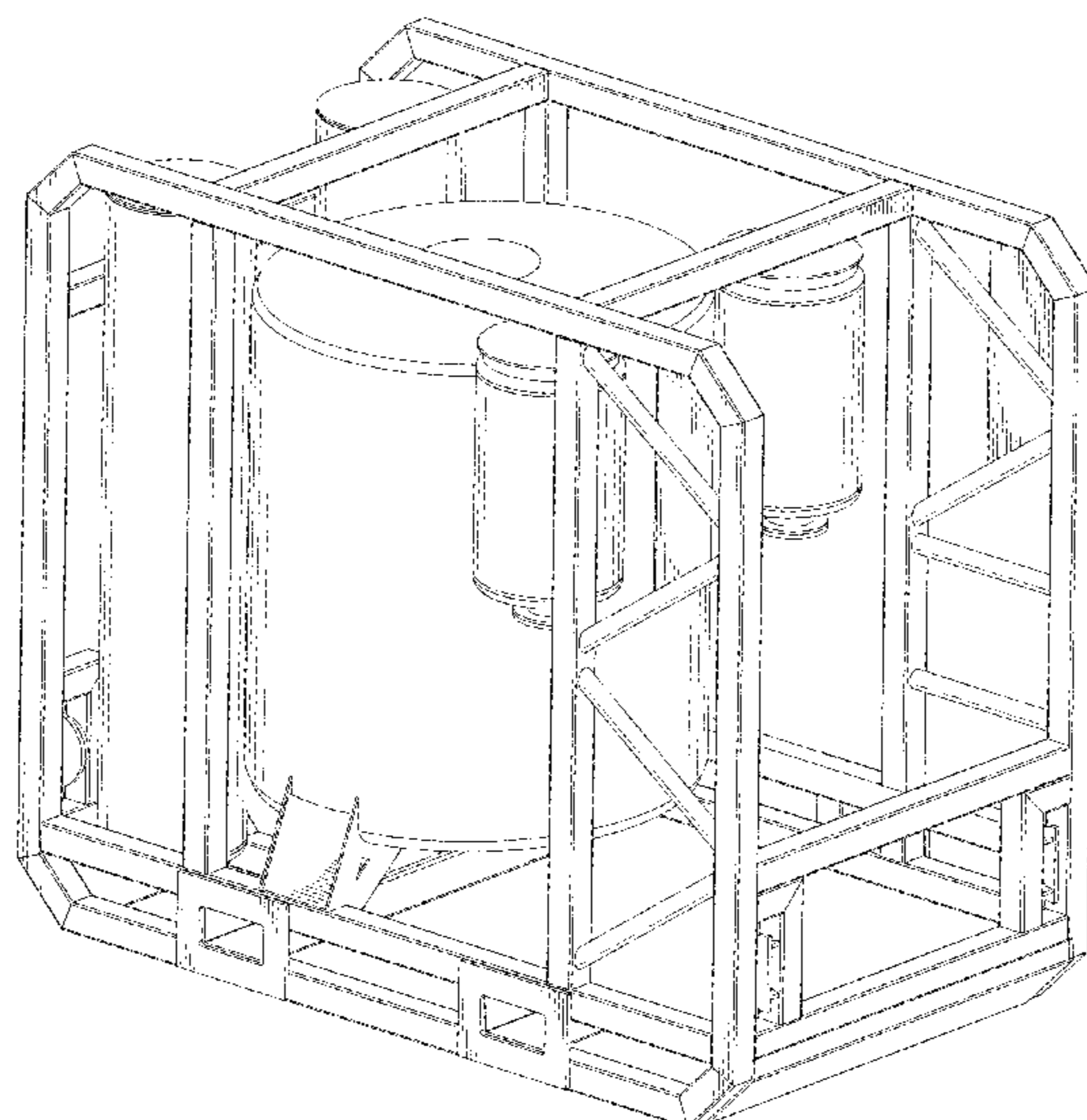
See application file for complete search history.

(56) **References Cited**

**U.S. PATENT DOCUMENTS**

- 3,842,461 A \* 10/1974 Wurster ..... B08B 5/04  
15/326
- 4,010,015 A \* 3/1977 Brown ..... A47L 5/365  
15/327.7
- 4,017,281 A \* 4/1977 Johnstone ..... B01D 46/0057  
15/340.1

**1 Claim, 7 Drawing Sheets**



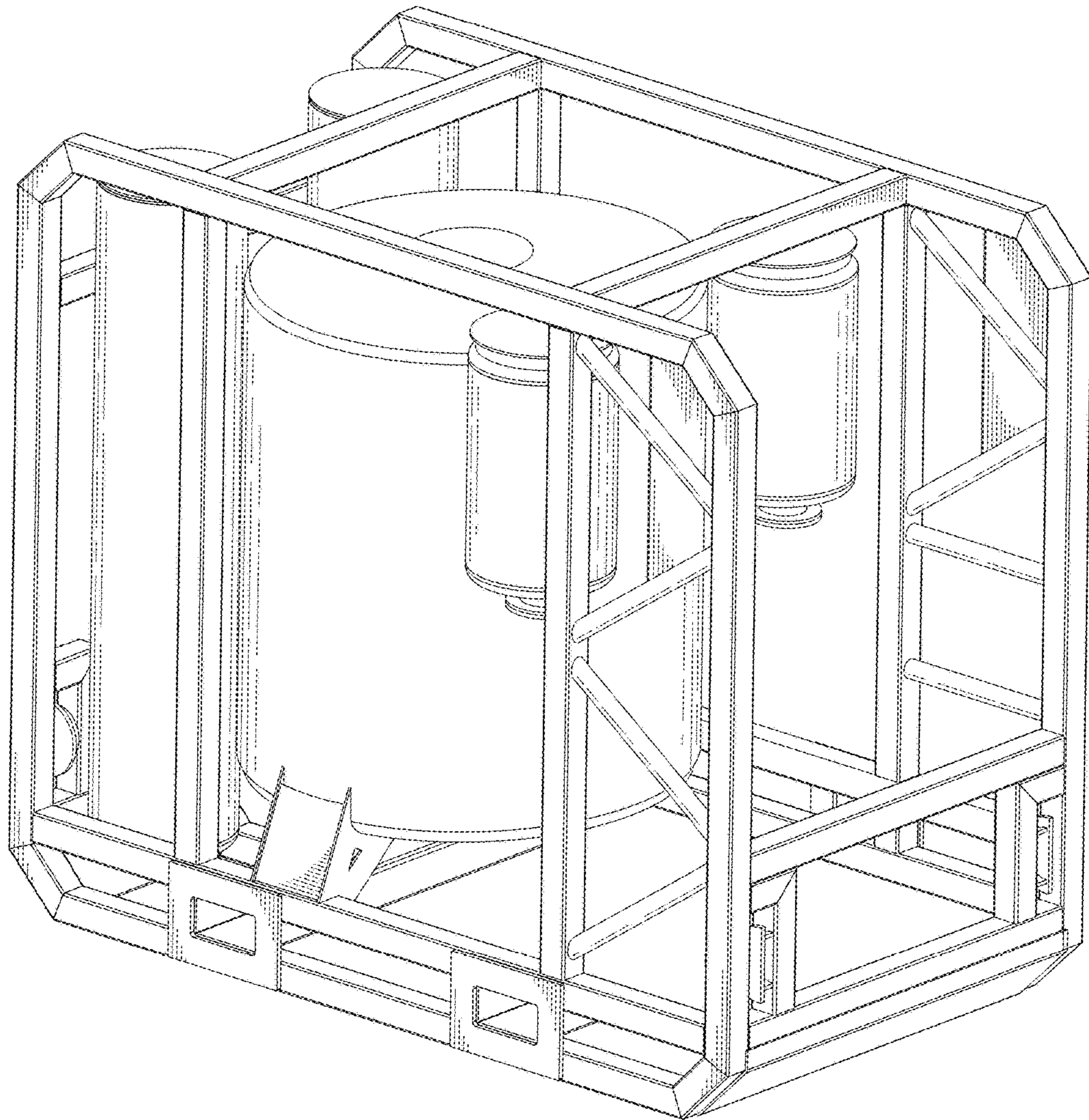
(56)

**References Cited**

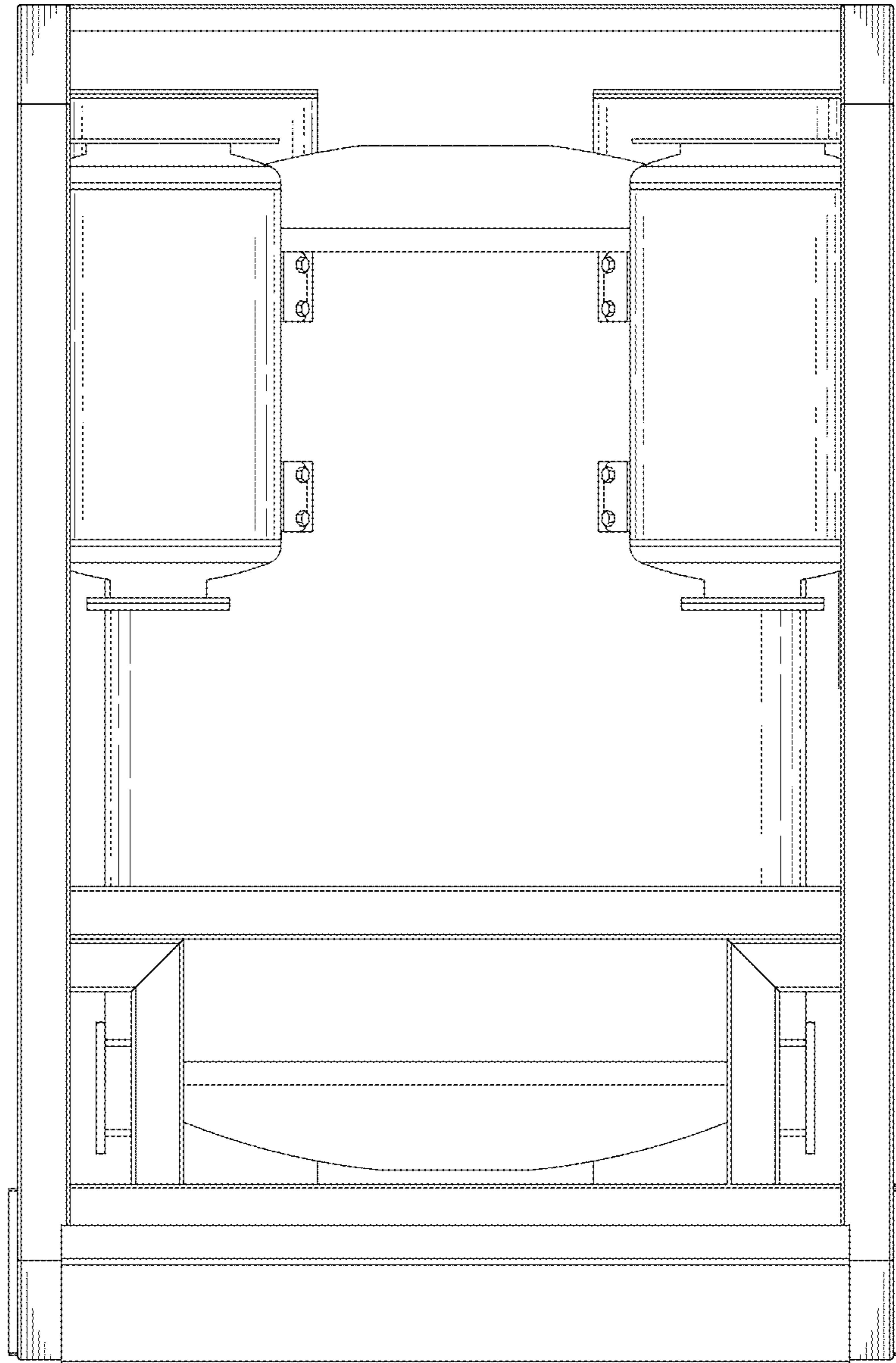
## U.S. PATENT DOCUMENTS

5,096,472 A \* 3/1992 Perry ..... A47L 9/102  
55/350.1  
5,120,333 A \* 6/1992 Davis ..... A47L 9/20  
55/338  
D374,749 S \* 10/1996 Burke ..... D32/21  
5,745,043 A \* 4/1998 Lemke ..... B08B 3/026  
340/521  
5,954,494 A \* 9/1999 Goldsmith ..... F02P 1/083  
431/254  
D420,773 S \* 2/2000 Ertl ..... D32/16  
6,085,739 A \* 7/2000 Leiss ..... B08B 3/026  
126/350.1  
6,283,749 B1 \* 9/2001 Bernard, Jr. .... F27B 17/0083  
373/112  
6,360,964 B1 \* 3/2002 Occhiogrosso ..... B08B 3/026  
134/95.3  
D726,382 S \* 4/2015 Taylor ..... D32/15  
D735,959 S \* 8/2015 Linton ..... D32/15  
D743,643 S \* 11/2015 Casey ..... D32/15  
D779,744 S \* 2/2017 Weinberg ..... D32/16  
D779,746 S \* 2/2017 Weinberg ..... D32/16  
9,713,829 B2 \* 7/2017 Holtby ..... B08B 3/02  
2002/0122730 A1 \* 9/2002 Dexter ..... B08B 3/026  
417/299  
2006/0038034 A1 \* 2/2006 Hillary ..... B05B 9/0855  
239/146

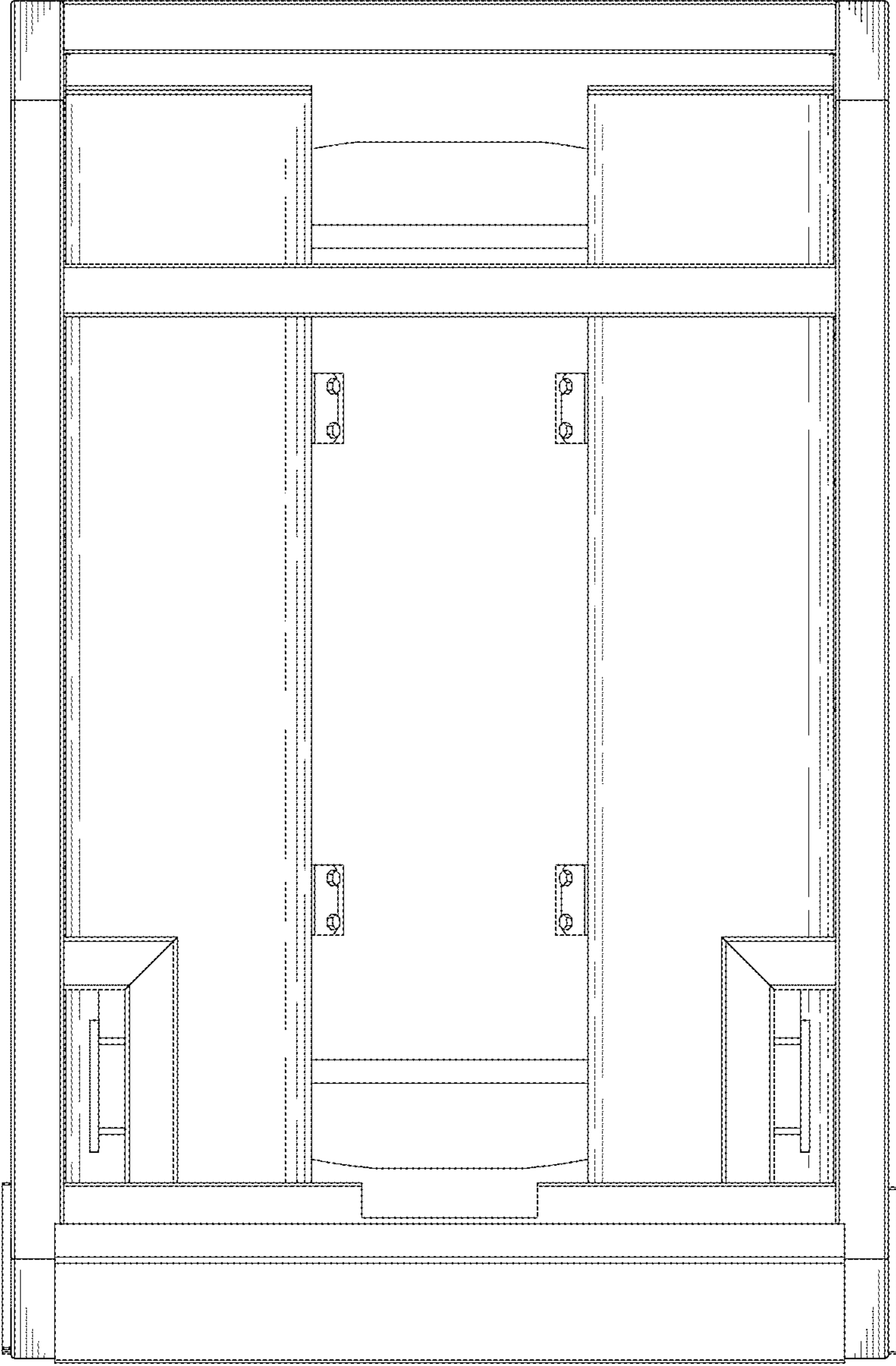
\* cited by examiner



*Fig. 1.*

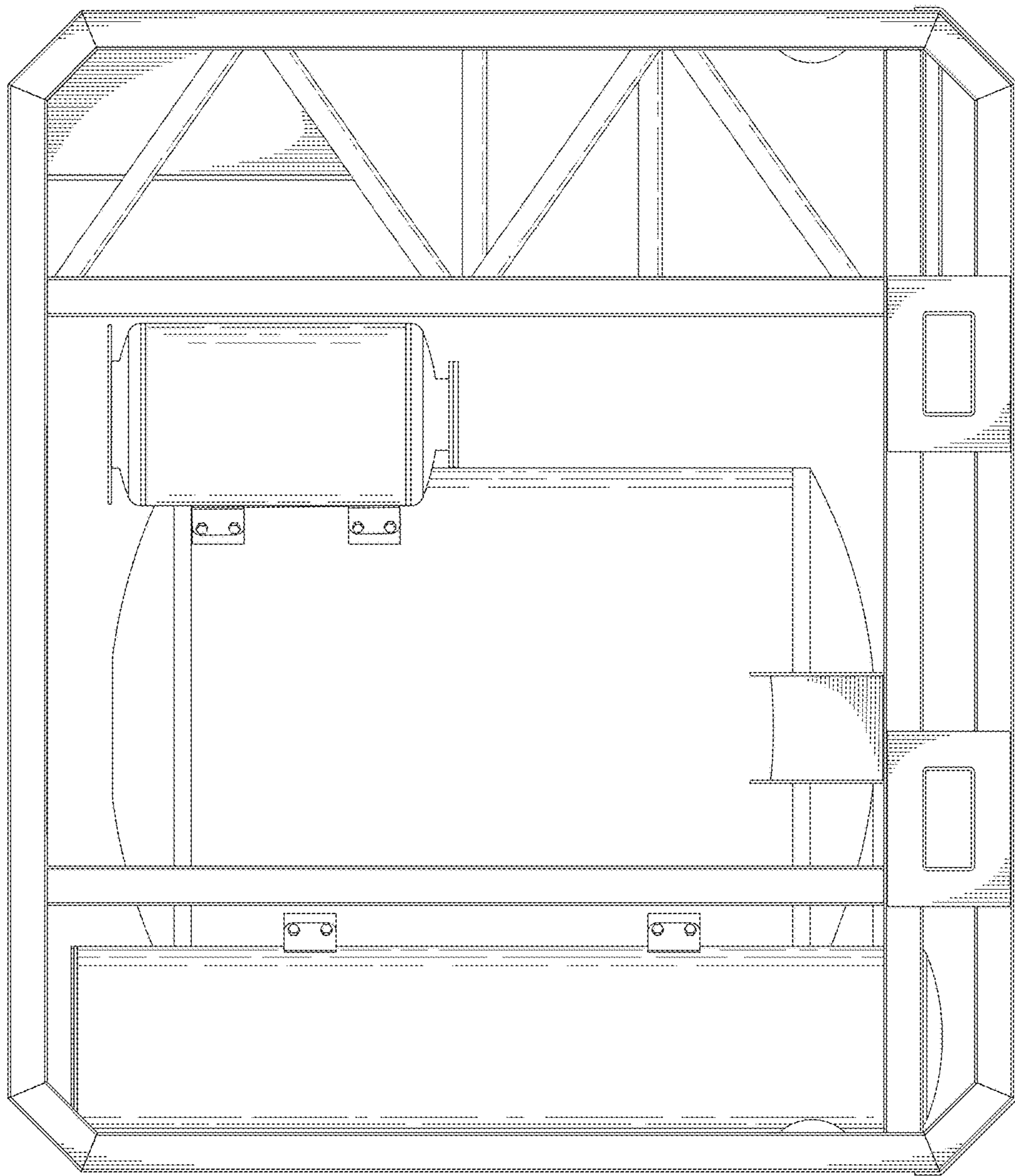


*Fig. 2.*

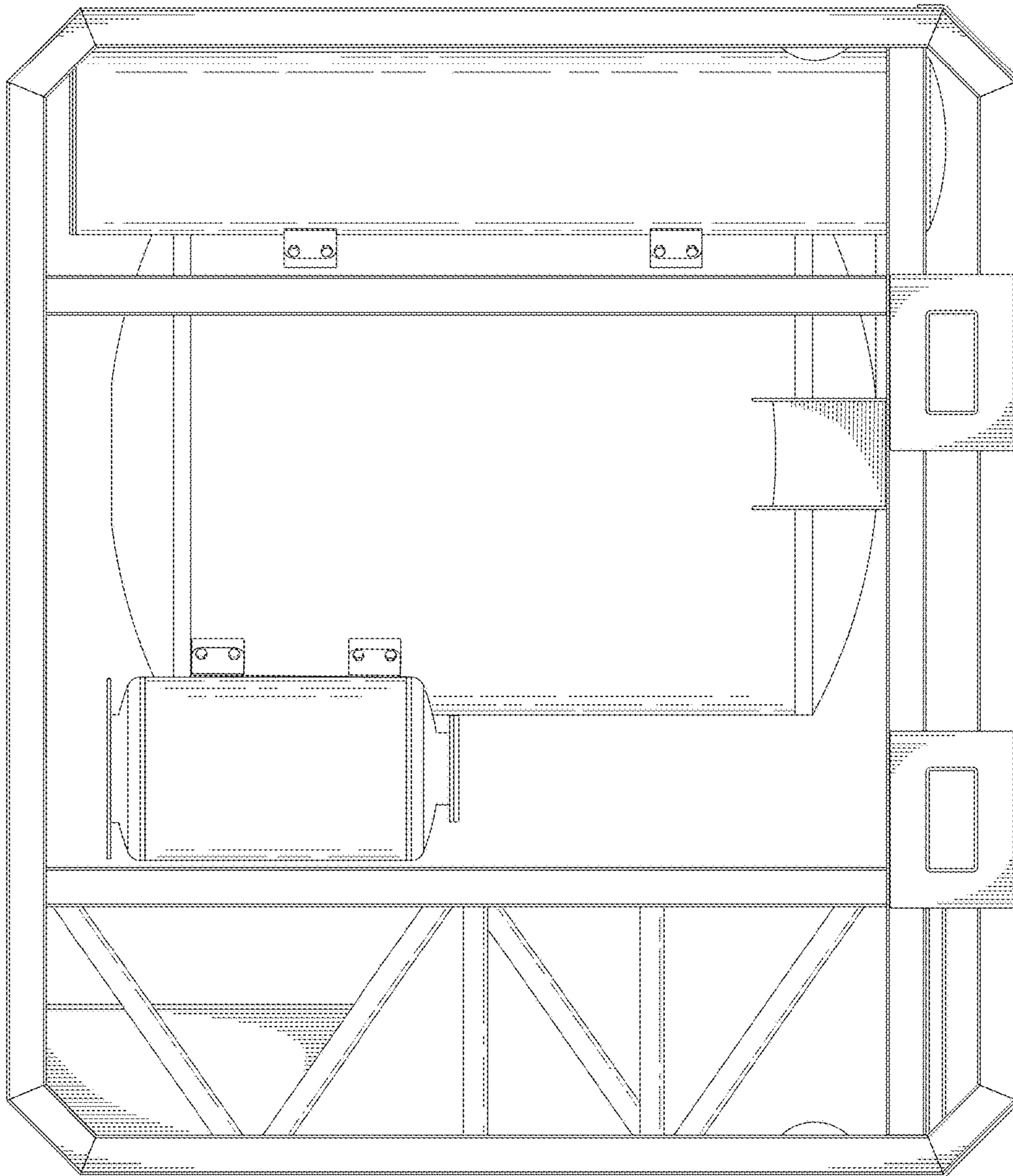


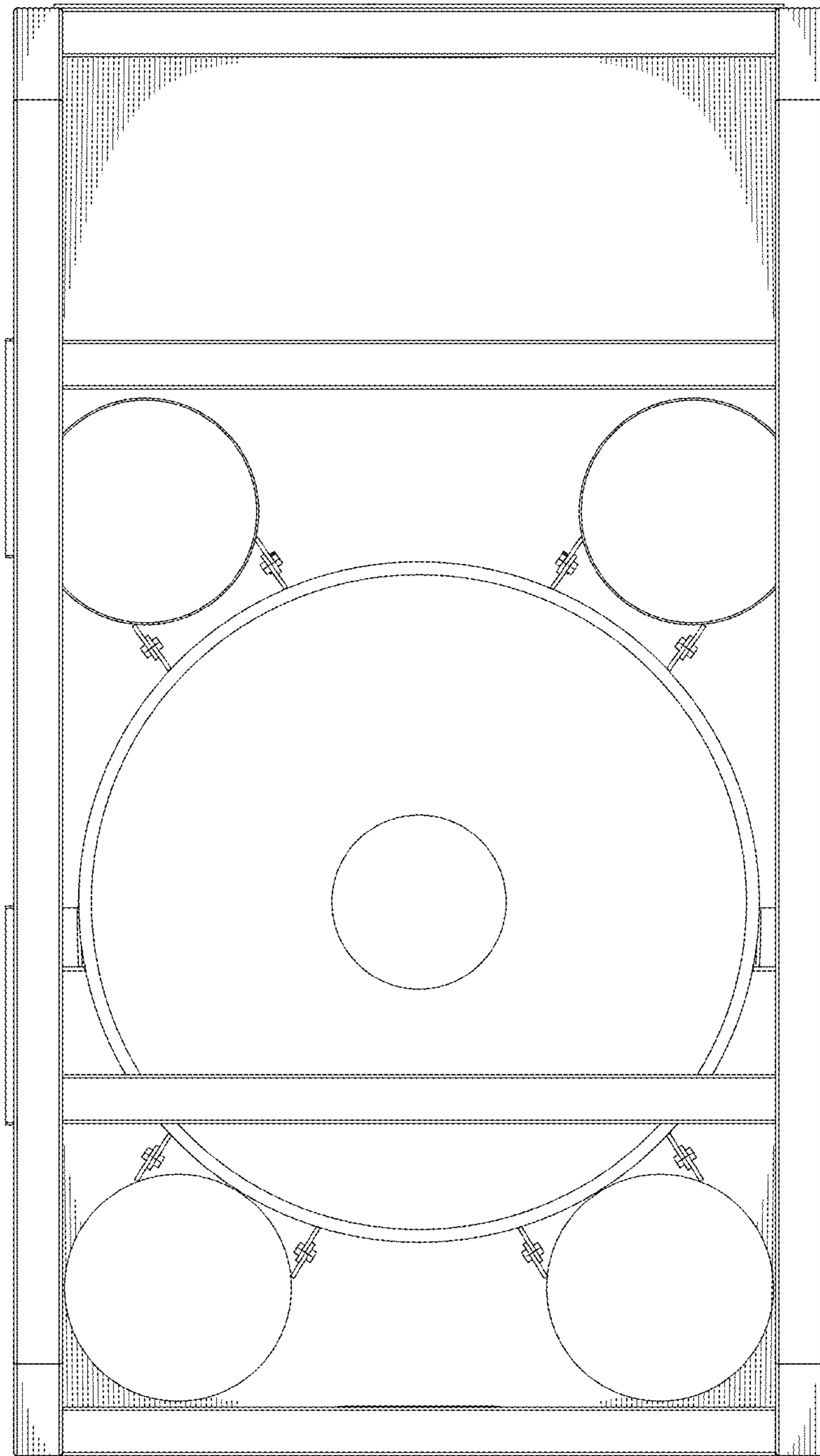
*Fig. 3.*

*Fig. 4.*



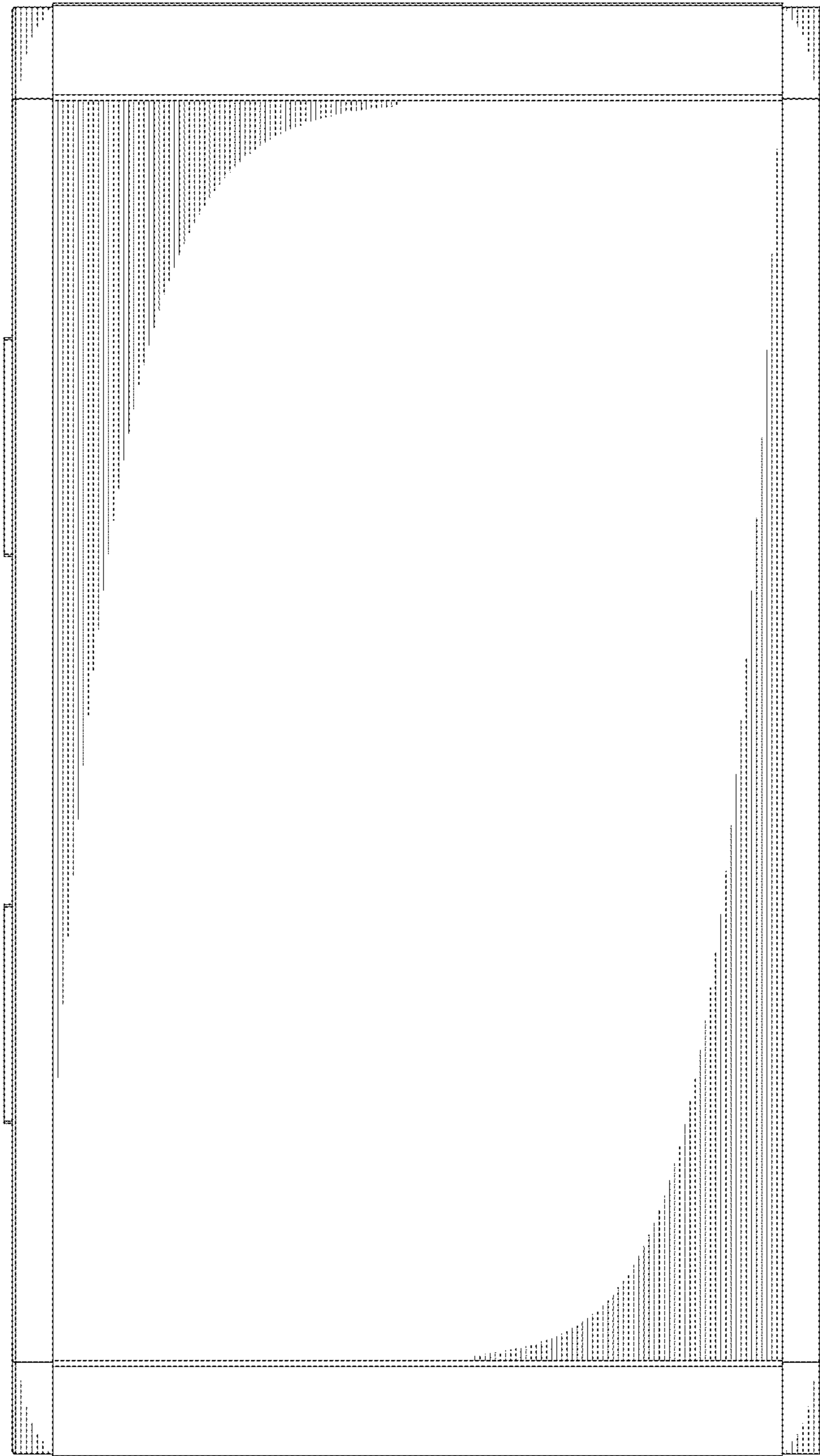
*Fig. 5.*





*Fig. 6.*





*Fig. 7.*