



US00D813473S

(12) **United States Design Patent**
Ni

(10) **Patent No.:** **US D813,473 S**
(45) **Date of Patent:** **** Mar. 20, 2018**

(54) **REMOTE CONTROL FOR PET TRAINING**

(71) Applicant: **SHENZHEN DOGCARE
INNOVATION & TECHNOLOGY
CO., LTD.**, Shenzhen (CN)

(72) Inventor: **Xunyang Ni**, Shenzhen (CN)

(**) Term: **15 Years**

(21) Appl. No.: **29/590,997**

(22) Filed: **Jan. 16, 2017**

(30) **Foreign Application Priority Data**

Aug. 9, 2016 (CN) 2016 3 0376849

(51) **LOC (11) Cl.** **30-99**

(52) **U.S. Cl.**
USPC **D30/199; D10/104.1**

(58) **Field of Classification Search**
USPC D30/199, 155; 119/718-721, 712, 905,
119/908, 859; D10/104.1, 106.1, 104.2,
D10/106.3; D14/137, 496, 218, 159;
340/573.3, 573.1, 384.2, 825.76, 538.15,
340/538.16, 539.1, 539.11, 539.14,
340/539.15, 539.16, 539.17, 539.18,
340/539.19, 572.7, 572.8, 572.9, 573.2,
340/573.4; D13/168

CPC .. A01K 15/021; A01K 15/022; A01K 15/023;
A01K 15/029; A01K 15/04; A01K 15/00;
A01K 15/02; A01K 15/006; A01K
27/009; A01K 29/005; A01K 29/00

See application file for complete search history.

(56) **References Cited**

U.S. PATENT DOCUMENTS

D395,882 S * 7/1998 Oross D14/137
D430,126 S * 8/2000 Lee D14/137
D467,888 S * 12/2002 Mirabelli D14/137

6,598,563 B2 * 7/2003 Kim A01K 15/021
119/719
D480,698 S * 10/2003 Slipy D14/147
D481,024 S * 10/2003 Nuk D14/137
D482,630 S * 11/2003 So D30/199
D487,026 S * 2/2004 Fleetwood D10/104.1
D493,776 S * 8/2004 Esslinger D14/137
D494,944 S * 8/2004 Esslinger D14/137
D496,347 S * 9/2004 Choi D14/191
D509,812 S * 9/2005 Mack D10/104.1
D535,973 S * 1/2007 Goetzl D14/155
D564,998 S * 3/2008 Tran D14/137
D576,127 S * 9/2008 Tran D14/137
D576,128 S * 9/2008 Tran D14/137
D607,855 S * 1/2010 Nakagawa D14/137
D635,946 S * 4/2011 Garra D14/137
D644,133 S * 8/2011 Register D10/65
D685,757 S * 7/2013 Liu D14/155
D711,758 S * 8/2014 Heath D10/104.1

(Continued)

Primary Examiner — Susan Moon Lee

(74) *Attorney, Agent, or Firm* — Prakash Nama; Global
IP Services, PLLC

(57) **CLAIM**

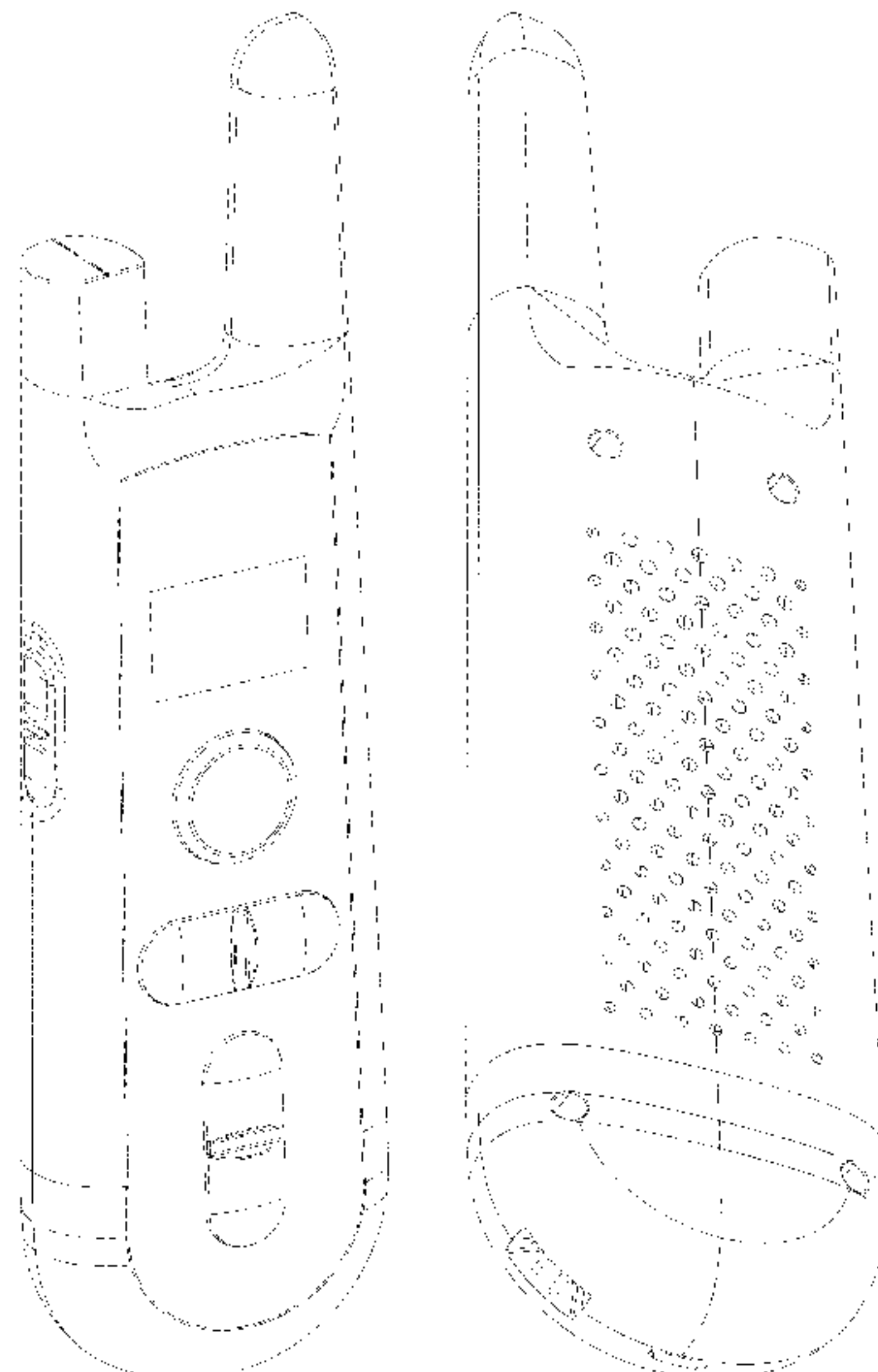
The ornamental design for a remote control for pet training,
as shown and described.

DESCRIPTION

FIG. 1 is a front elevational view of a remote control for pet
training showing my new design;
FIG. 2 is a rear elevational view thereof;
FIG. 3 is a left side view thereof;
FIG. 4 is a right side view thereof;
FIG. 5 is a top plan view thereof;
FIG. 6 is a bottom plan view thereof;
FIG. 7 is a front perspective view thereof; and,
FIG. 8 is a back perspective view thereof.

The elements depicted in broken line in FIG. 2 represent
unclaimed features of the remote control for pet training and
form no part of the claimed design.

1 Claim, 7 Drawing Sheets



(56)

References Cited

U.S. PATENT DOCUMENTS

D774,935 S * 12/2016 Liu D10/104.1
9,642,338 B2 * 5/2017 Kim A01K 15/021
D801,840 S * 11/2017 Dwyer D10/104.1
2008/0036610 A1 * 2/2008 Hokuf A01K 11/008
340/573.3
2014/0261233 A1 * 9/2014 So A01K 15/021
119/720

* cited by examiner

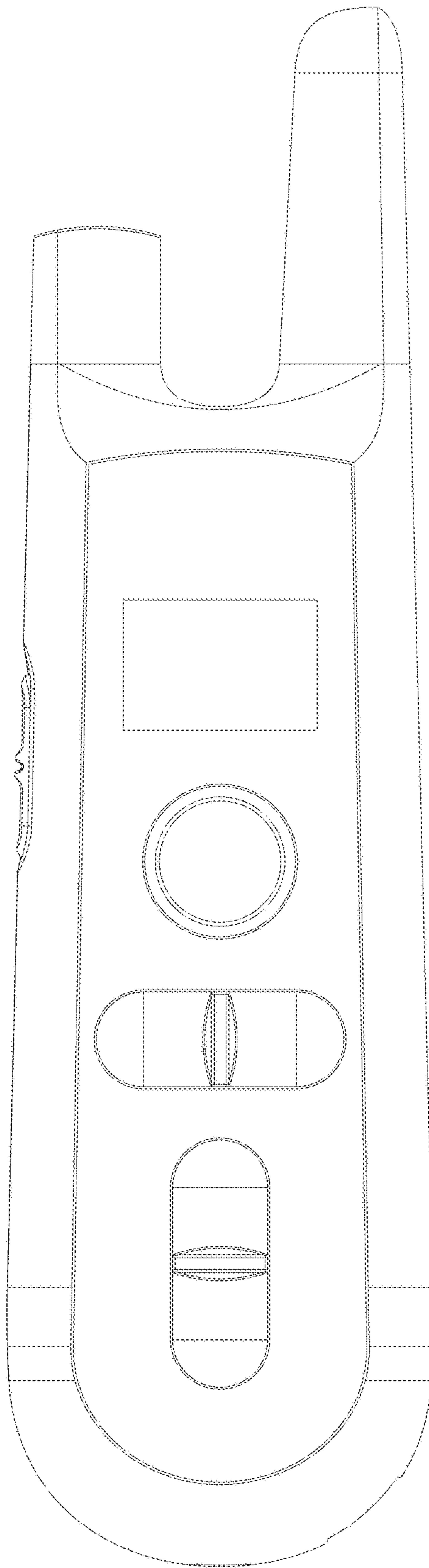


FIG. 1

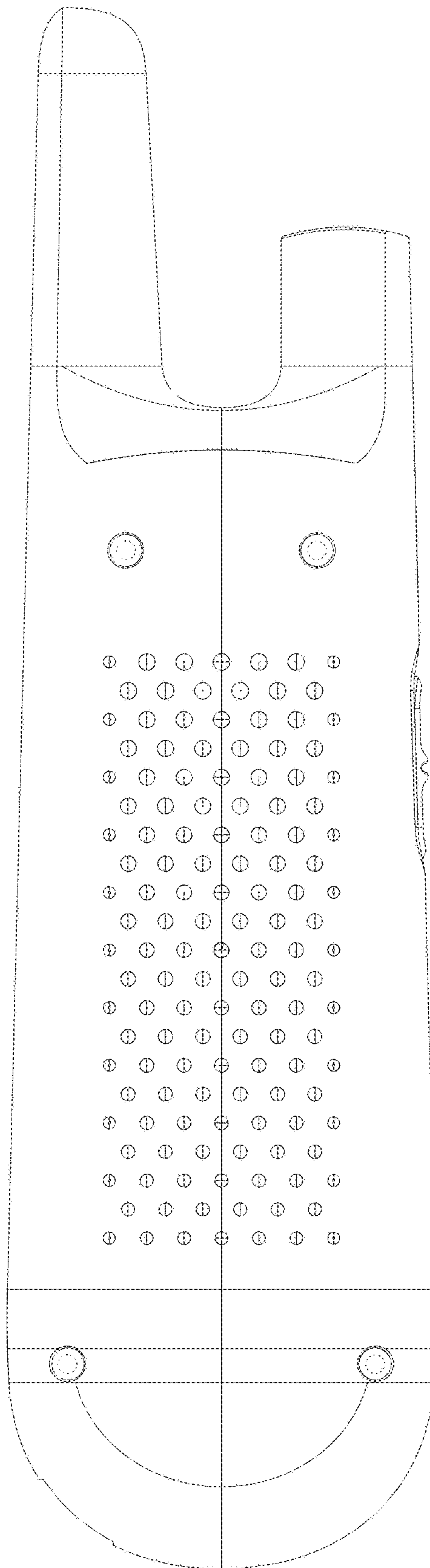


FIG. 2

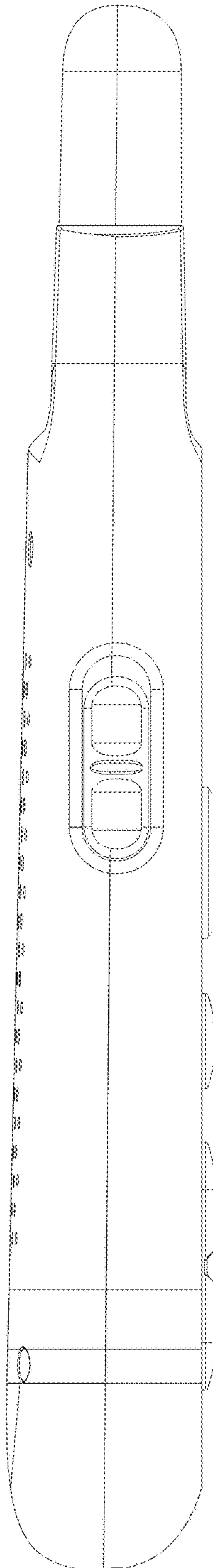


FIG. 3

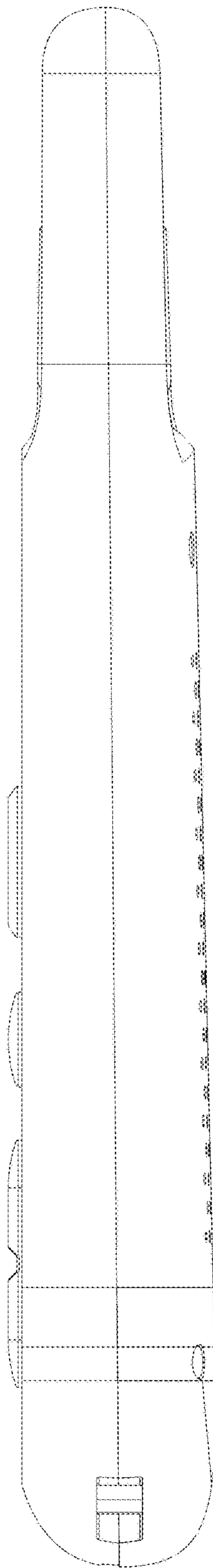


FIG. 4

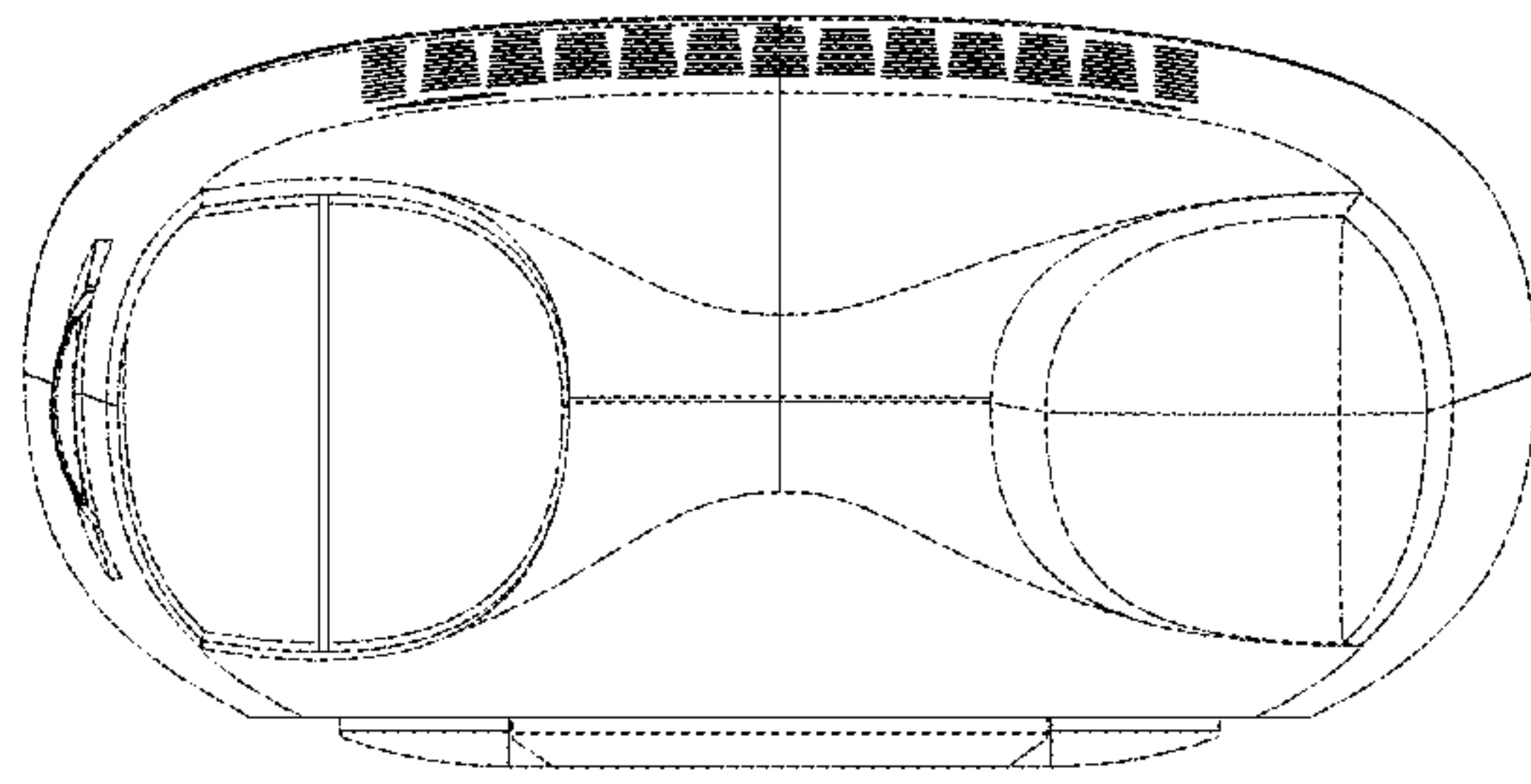


FIG. 5

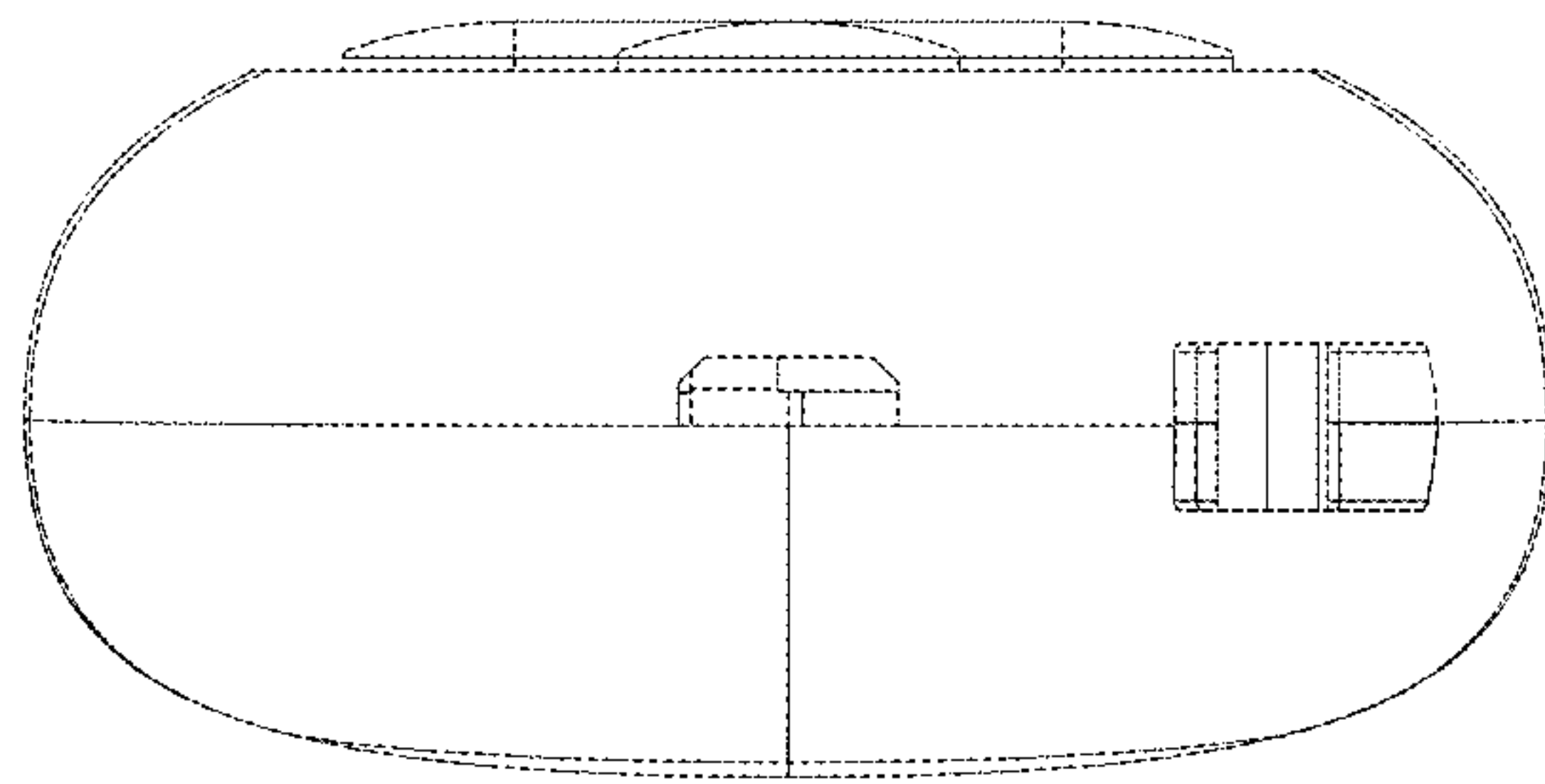


FIG. 6

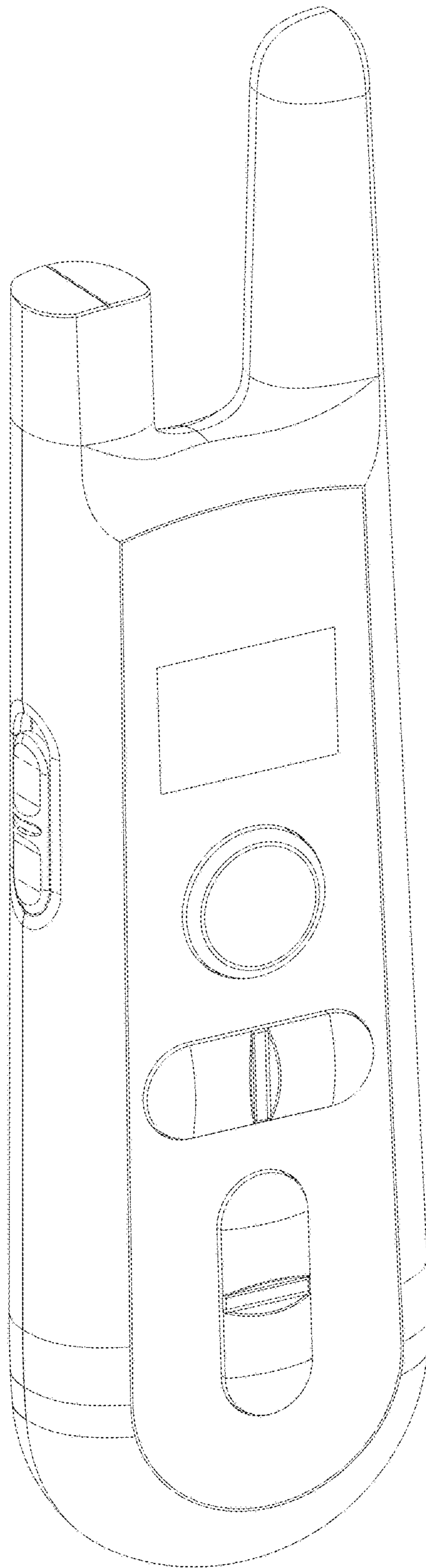


FIG. 7

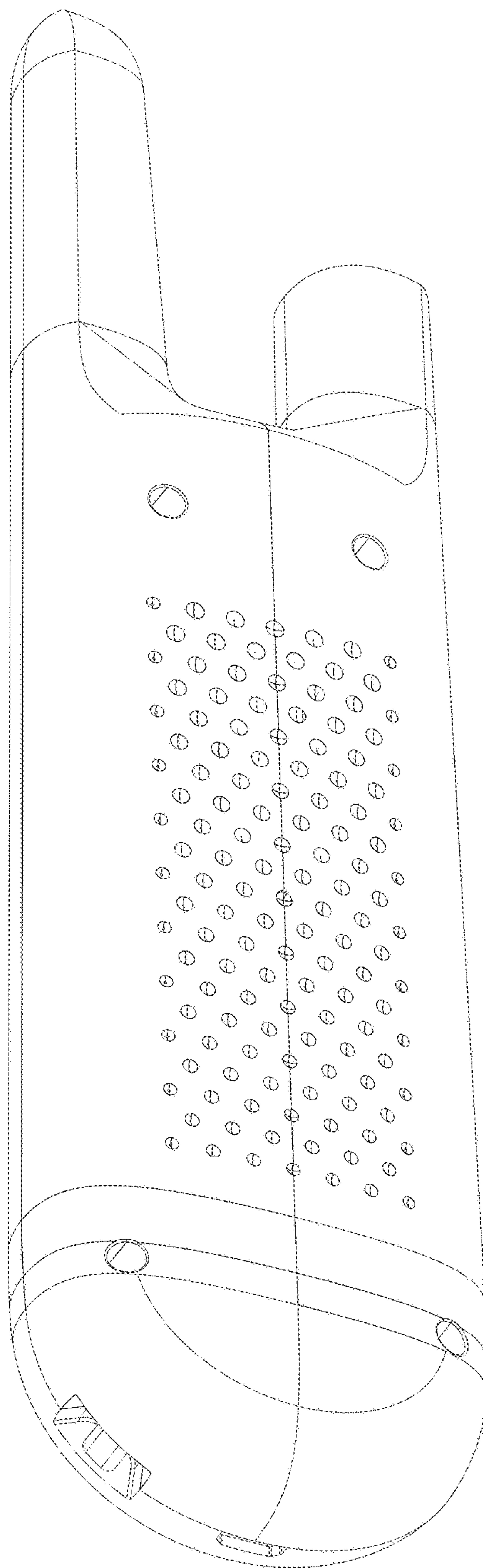


FIG. 8