



US00D813472S

(12) **United States Design Patent** (10) **Patent No.:** **US D813,472 S**  
**Veness et al.** (45) **Date of Patent:** **\*\* Mar. 20, 2018**

(54) **LITTER CONTAINER**  
(71) Applicant: **Doskocil Manufacturing Company Inc., Arlington, TX (US)**  
(72) Inventors: **David Veness, Fort Worth, TX (US); Nicholas Baker, Fort Worth, TX (US)**  
(73) Assignee: **DOSKOCIL MANUFACTURING COMPANY, INC., Arlington, TX (US)**  
(\*\*) Term: **15 Years**  
(21) Appl. No.: **29/557,596**

6,196,161 B1 3/2001 Thurber  
D463,887 S 10/2002 Walter et al.  
6,571,740 B1 6/2003 Kinder et al.  
D496,501 S 9/2004 Walter et al.  
D528,252 S \* 9/2006 Van Skiver ..... D30/161  
D546,005 S \* 7/2007 Harper ..... D30/108  
D551,399 S \* 9/2007 Harper ..... D30/108  
D555,292 S \* 11/2007 Harper ..... D30/108  
D575,907 S \* 8/2008 Roderman ..... D30/108  
7,458,337 B2 12/2008 Callan  
D591,463 S 4/2009 Plante  
7,856,945 B2 12/2010 Matsuo et al.  
D646,444 S \* 10/2011 Lawson ..... D30/161  
D671,691 S \* 11/2012 Neilan ..... D30/108  
D703,876 S \* 4/2014 Chance ..... D30/108  
(Continued)

(22) Filed: **Mar. 10, 2016**  
(51) **LOC (11) Cl.** ..... **30-09**  
(52) **U.S. Cl.**  
USPC ..... **D30/161**  
(58) **Field of Classification Search**  
USPC ..... D30/161, 108-109, 113-118  
CPC .... A01K 1/011; A01K 1/0107; A01K 1/0117;  
A01K 1/0121; A01K 1/0125; A01K  
11/02; A01K 11/06; A01K 13/00; A01K  
13/06; A01K 13/14; A01K 1/00; A01K  
1/02; A01K 1/03; A01K 1/033; A01K  
1/034; A01K 1/035; A01K 1/0353; A01K  
29/00  
See application file for complete search history.

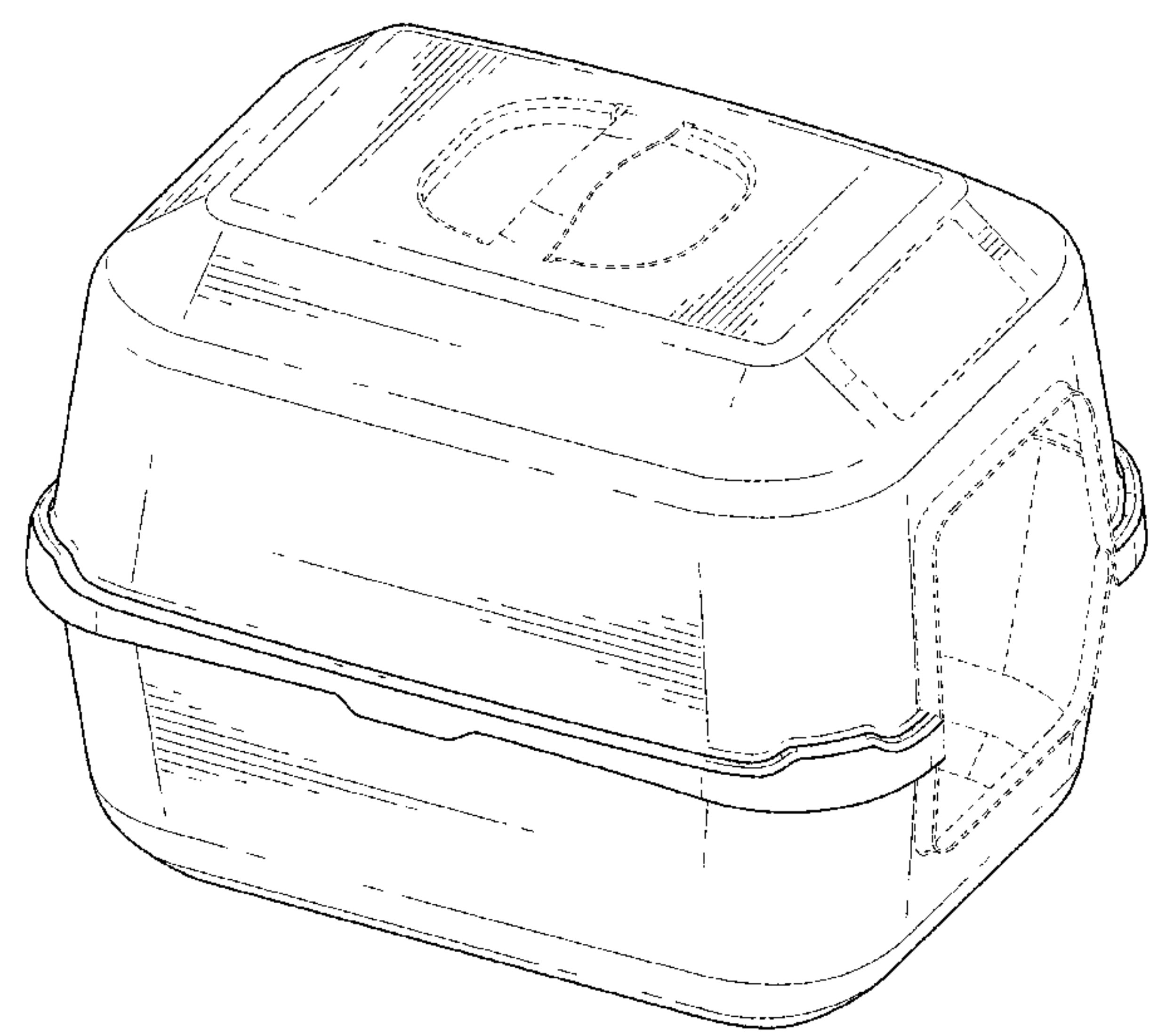
*Primary Examiner* — Cathy Anne MacCormac  
(74) *Attorney, Agent, or Firm* — Global IP Counselors, LLP

(57) **CLAIM**  
The ornamental design for a litter container, as shown and described.

**DESCRIPTION**  
FIG. 1 is a top perspective view of a litter container in accordance with our new design;  
FIG. 2 is a top view thereof;  
FIG. 3 is a front view thereof;  
FIG. 4 is a back view thereof;  
FIG. 5 is a left side view thereof; and,  
FIG. 6 is a bottom view thereof.  
The broken lines depict environmental subject matter, are for illustration only, and form no part of the claimed design. The broken lines that are immediately adjacent to the shaded areas and define unshaded regions represent the bounds of the claimed design. The broken lines that are shown within the broken line boundaries and the broken lines outside of the claim are directed to environment. The broken lines form no part of the claimed design.

(56) **References Cited**  
U.S. PATENT DOCUMENTS  
D248,333 S \* 6/1978 Haugen ..... D30/108  
D300,966 S \* 5/1989 Conner ..... D30/161  
D300,967 S \* 5/1989 Conner ..... D30/161  
D300,968 S \* 5/1989 Conner ..... D30/161  
5,220,885 A \* 6/1993 Goetz ..... A01K 1/0245  
119/165  
D361,175 S \* 8/1995 VanSkiver ..... D30/109  
D364,712 S \* 11/1995 Murphy ..... D30/108  
D367,732 S \* 3/1996 Murphy ..... D30/108  
5,806,461 A 9/1998 Kiera

**1 Claim, 6 Drawing Sheets**



(56)

**References Cited**

U.S. PATENT DOCUMENTS

D705,995 S \* 5/2014 Veness ..... D30/108  
2009/0272327 A1 11/2009 Plante

\* cited by examiner

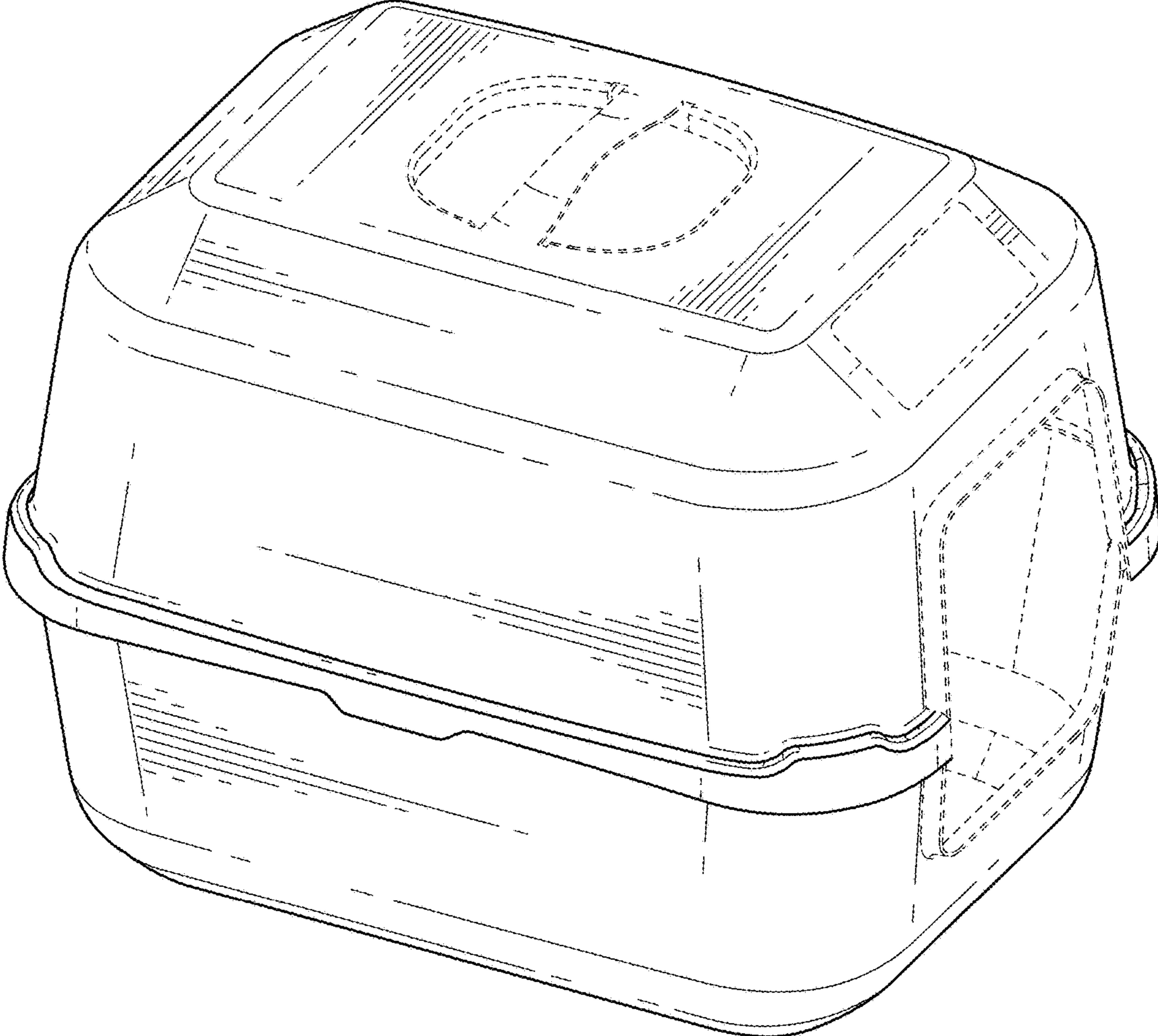


FIG. 1

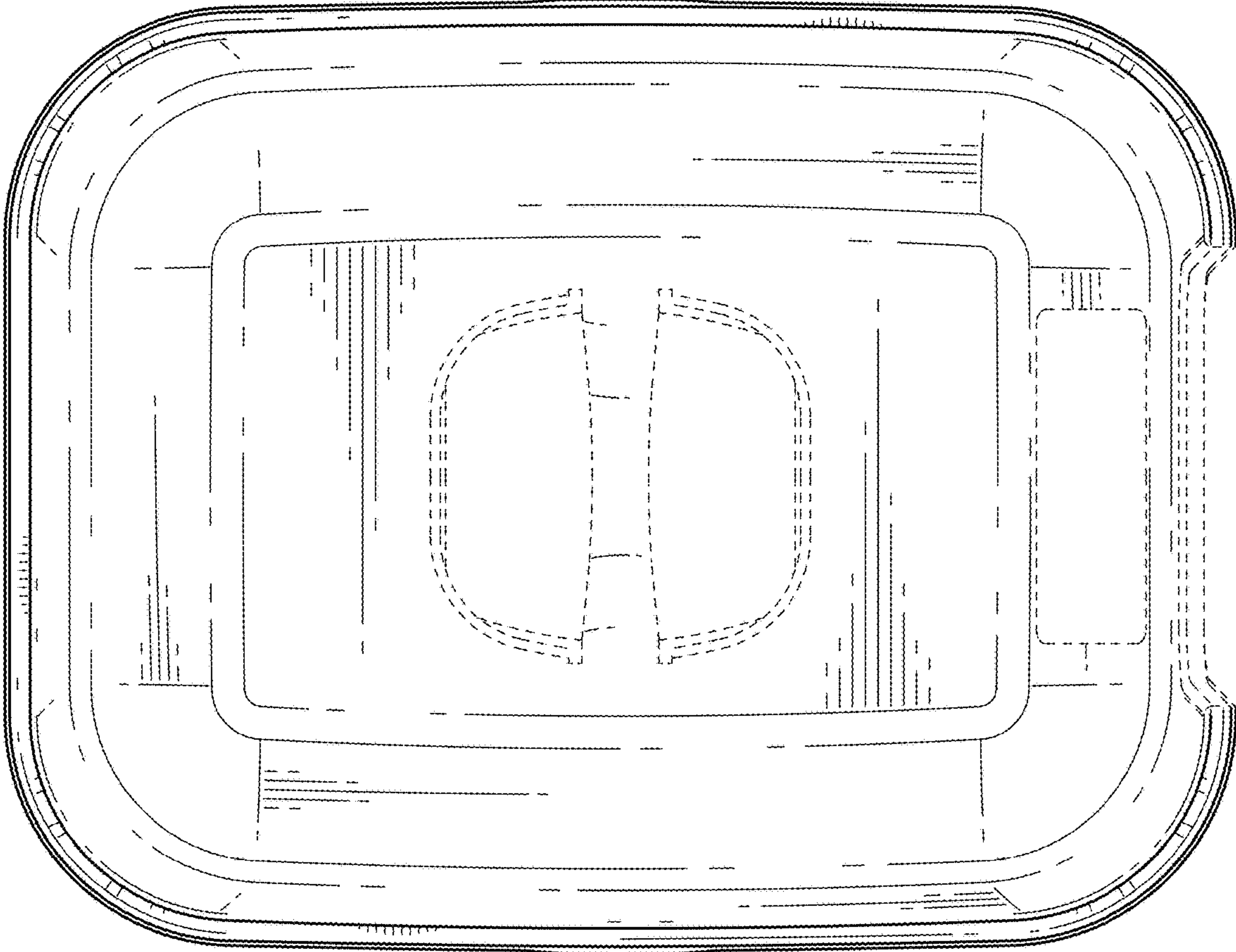


FIG. 2

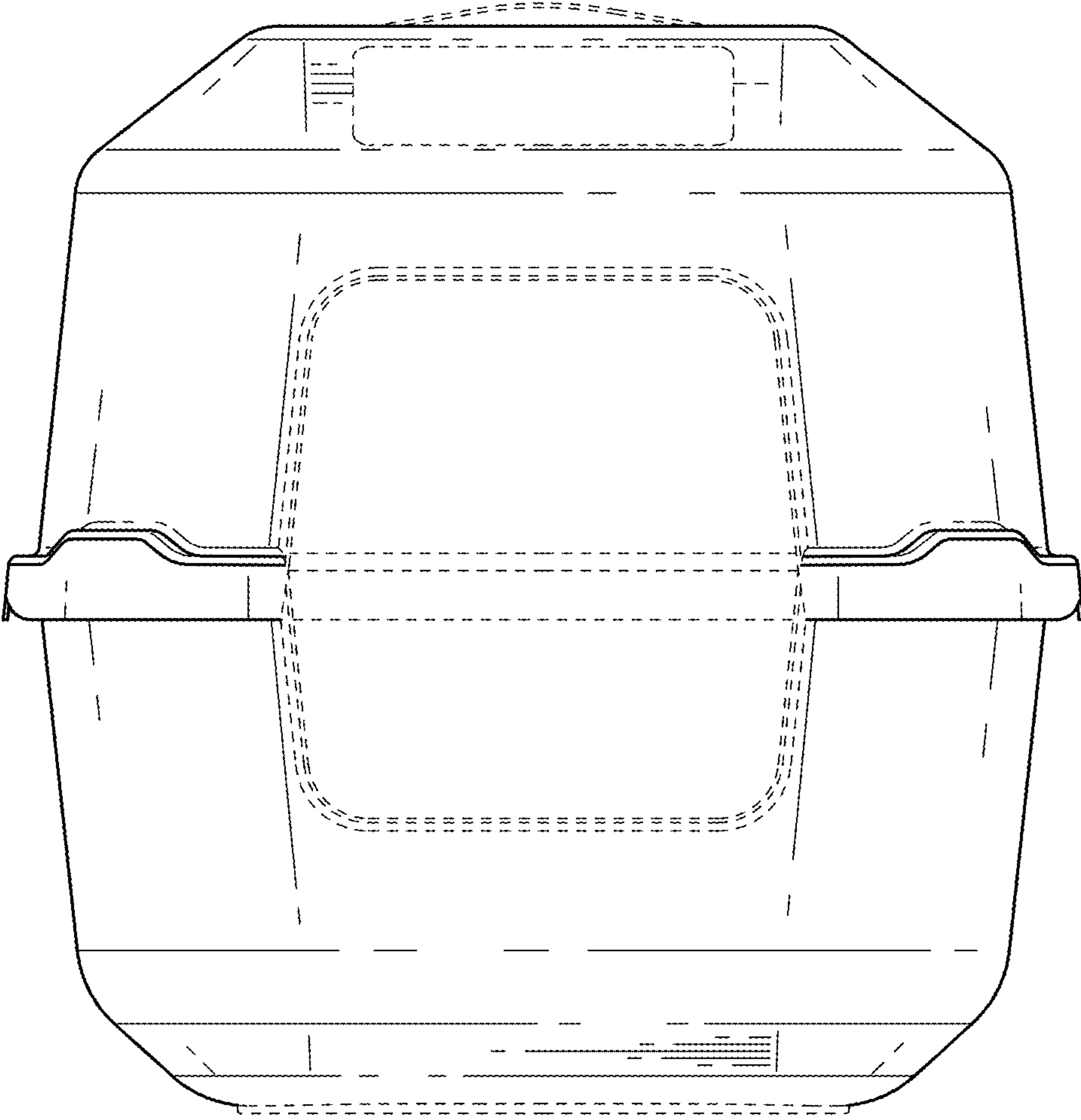


FIG. 3



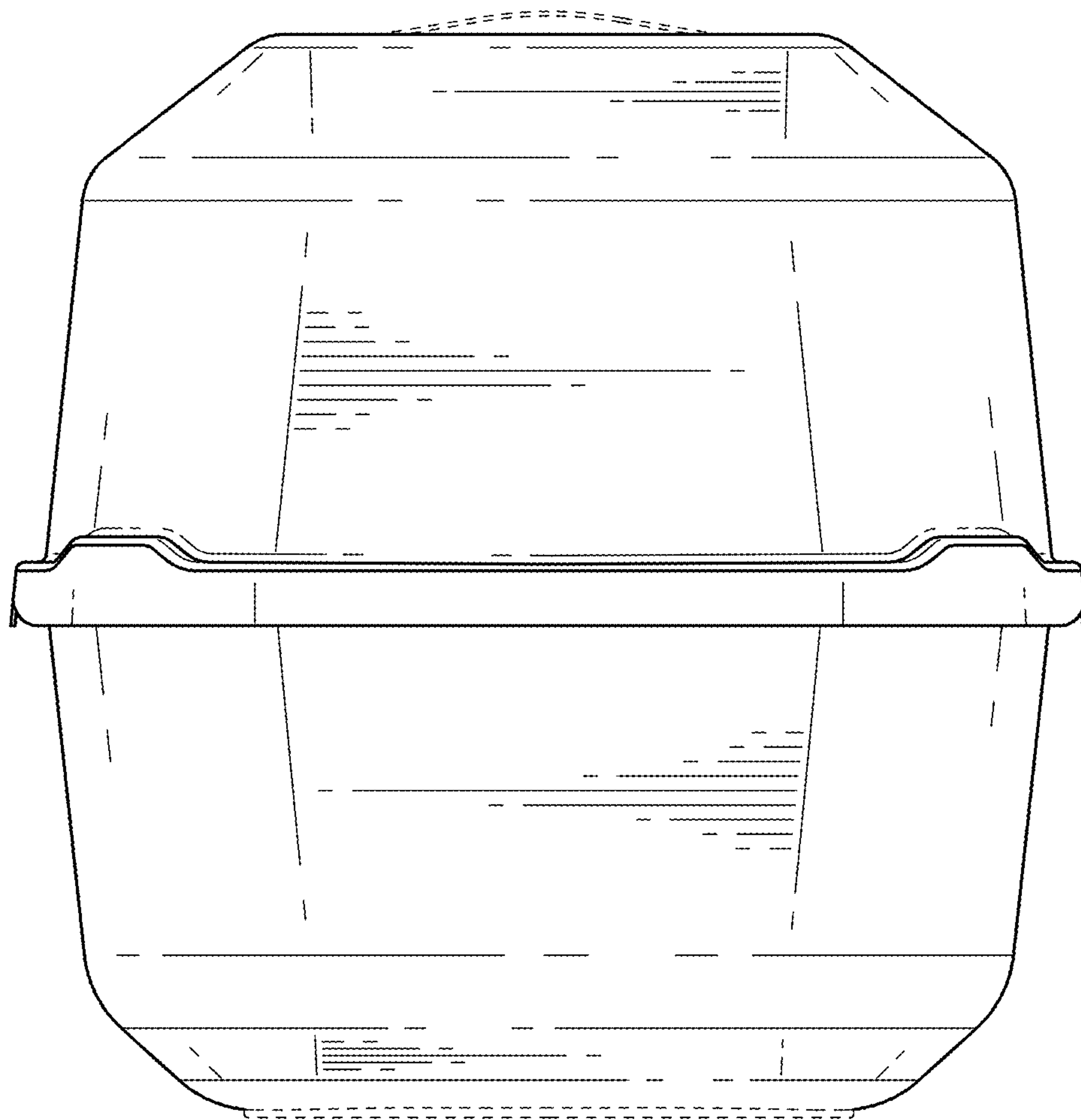


FIG. 4

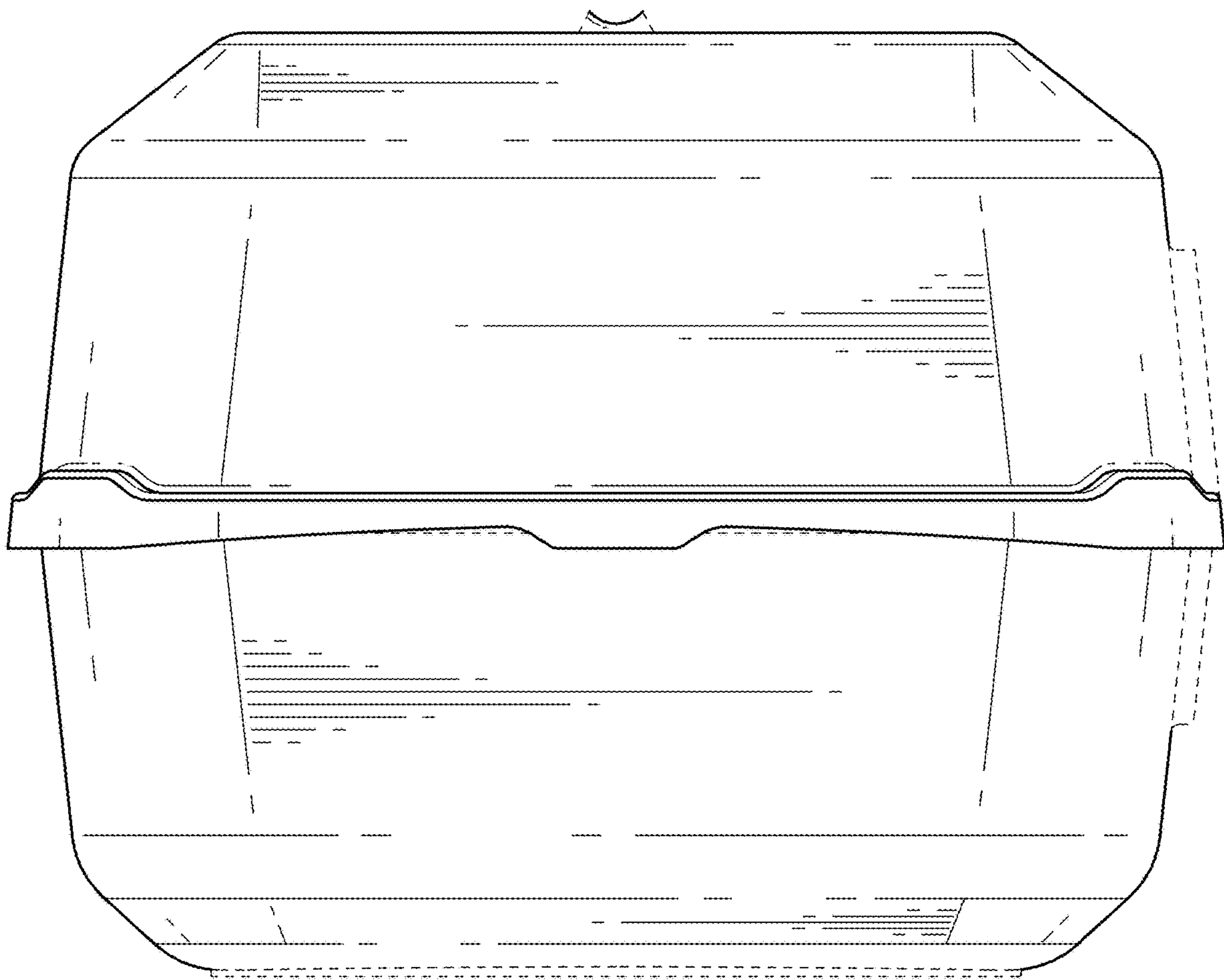


FIG. 5

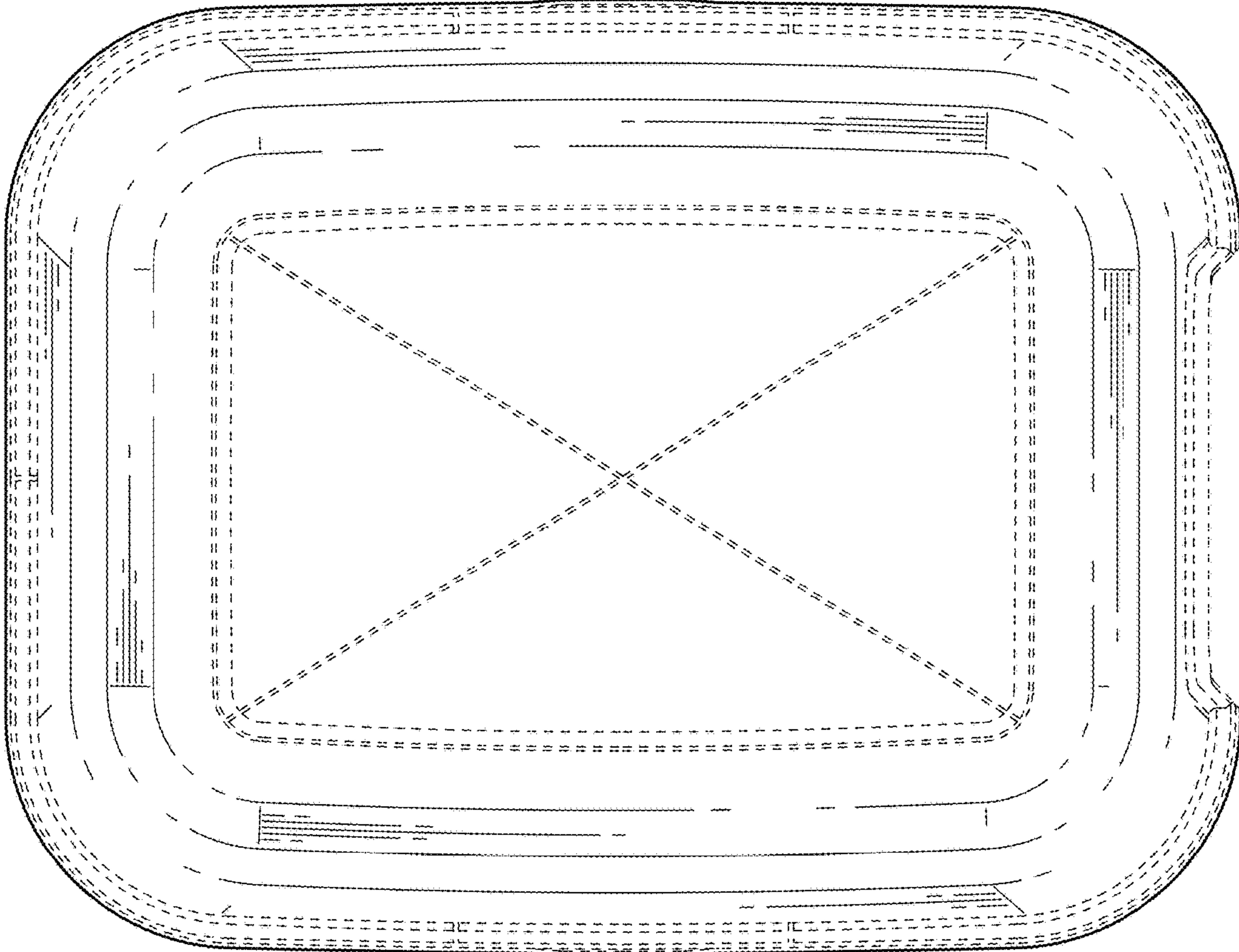


FIG. 6