



US00D813471S

(12) **United States Design Patent**  
**Razgour**

(10) **Patent No.:** **US D813,471 S**

(45) **Date of Patent:** **\*\* \*Mar. 20, 2018**

- (54) **PET GROOMING APPARATUS**
- (71) Applicant: **Kampalook Ltd.**, Tel Aviv (IL)
- (72) Inventor: **Alon Razgour**, Tel Aviv (IL)
- (73) Assignee: **KAMPALOOK LTD.**, Tel Aviv
- (\*) Notice: This patent is subject to a terminal disclaimer.
- (\*\*) Term: **14 Years**
- (21) Appl. No.: **29/521,554**
- (22) Filed: **Mar. 24, 2015**
- (51) **LOC (11) Cl.** ..... **30-99**
- (52) **U.S. Cl.**  
USPC ..... **D30/159**; D30/158; D4/132
- (58) **Field of Classification Search**  
USPC ..... D30/158, 159, 199, 162, 106; 119/625, 119/633, 600, 617, 628, 632, 631, 613, 119/618, 619, 620, 611, 612, 615, 664, 119/650, 601, 604-606, 624; 132/126, 132/142, 120, 313, 119, 121, 150-154, 132/147-149, 108-115, 160; 30/114, 30/130, 301, 305, 315, 316, 299, 303, 30/306, 169, 322, 31, 30, 279.2, 280, 30/287, 294, 199, 329-344, 346.56, 30/346.61, 355, 357, 353; D7/672-676, D7/687, 686, 634, 619, 688, 653, 393, D7/395, 401.2; 425/298; 426/503; D4/136, 127, 124-126, 116-118, 199, D4/194, 132, 120, 133, 134, 138, D4/100-102, 122, 119, 114, 121, 159, D4/129, 130; D32/42, 25, 40, 45, 35, 41; D23/261; 2/160; 172/379, 380; D6/415, D6/410, 411; 294/1.3, 1.5, 55, 99.1, 49, 294/7, 9, 99.2, 118, 119, 19.2, 52, 104, 294/19.1, 3; 209/418; D24/211, 147, D24/215, 214, 206; D21/532, 398; D19/36; 34/381, 103, 104, 107; D11/104, 86; 56/400.01, 400.1, 400.17,

56/400.21, 400.05, 400.04, 330; 403/329, 403/326, 361; 15/402, 142, 236.07, 15/236.08, 236.05, 106, 143.1, 159.1, 15/160, 186-188, 50.1-50.3, 55, 57, 71, 15/77, 79.1, 104.002, 105, 169, 145, 114, 15/231, 172, 1.52, 207.2, 29, 229.13, 111, 15/118, 109.94, 164, 209.1, 211, 236.06, 15/236.01, 210.1, 229.11, 244.3, 191.1, 15/DIG. 5; 601/137, 136, 80, 93, 95, 97, 601/101, 103, 138, 143-147, 114, 17, 601/160, 112, 154; D28/91.2, 63, 52, 31, D28/30, 48, 25, 21, 7, 34; D8/13, 6, 10,  
(Continued)

(56) **References Cited**

U.S. PATENT DOCUMENTS

D163,271 S \* 5/1951 Gibo ..... D4/136  
D165,862 S \* 2/1952 Partridge ..... D4/134  
(Continued)

*Primary Examiner* — Susan Moon Lee  
(74) *Attorney, Agent, or Firm* — Marc Van Dyke; Fourth Dimension IP

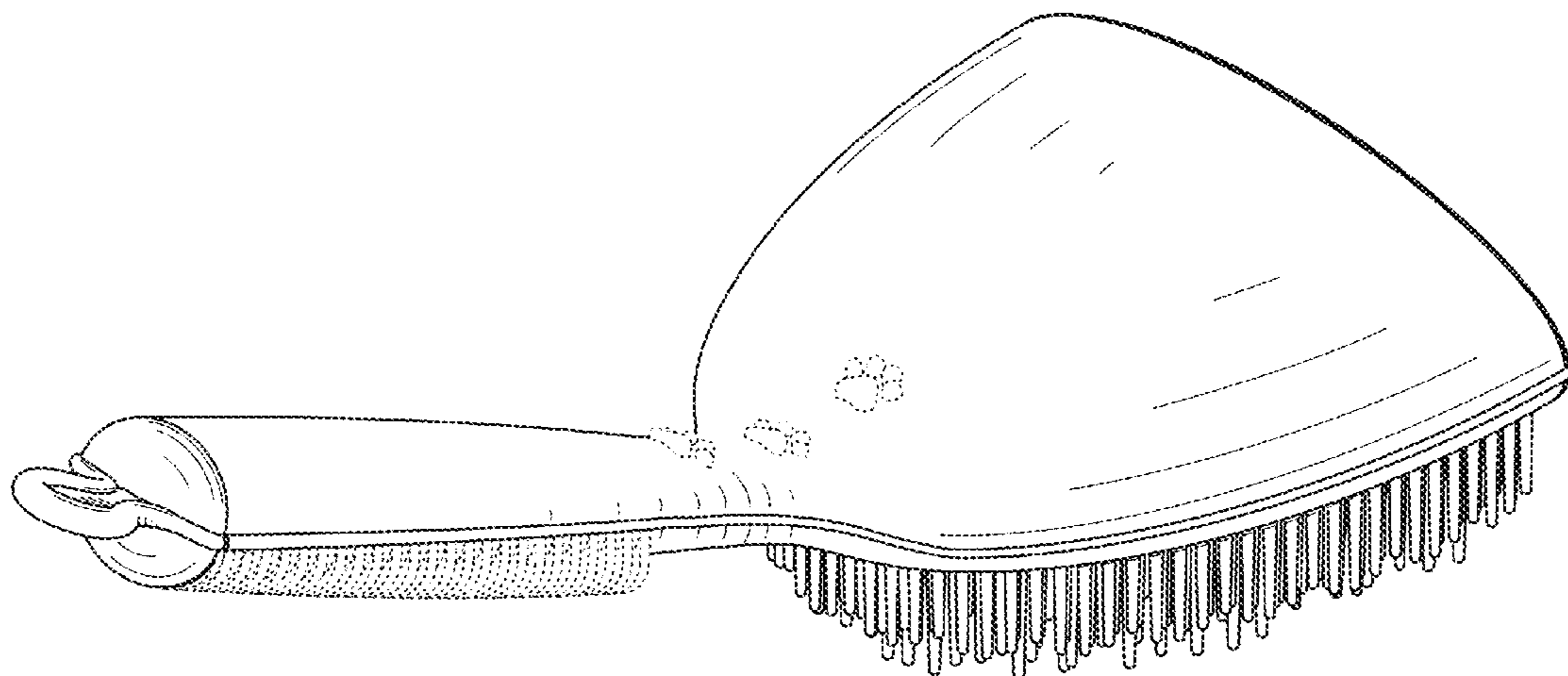
(57) **CLAIM**

The ornamental design for a pet grooming apparatus, as shown and described.

**DESCRIPTION**

FIG. 1 is a side view of a pet grooming apparatus showing the new design;  
FIG. 2 is a back view thereof;  
FIG. 3 is a front view thereof;  
FIG. 4 is a top view thereof;  
FIG. 5 is a bottom view thereof; and,  
FIG. 6 is a perspective view thereof.  
The elements depicted in broken lines are for illustrative purposes only and form no part of the claimed design.

**1 Claim, 5 Drawing Sheets**



(58) **Field of Classification Search**

USPC ..... D8/11, 12, 1, 107, 106, 45, 80; 126/173,  
 126/214 C, 25 R; 99/450; 16/430, 431,  
 16/DIG. 12, DIG. 18, DIG. 19, 426, 421,  
 16/422, 438, 110.1; 401/28, 201, 6, 284,  
 401/279, 288, 22, 140, 207, 149, 281,  
 401/136, 137, 188 R-190, 268, 270, 278;  
 81/177.7, 489, 177.1, 436-440, 849;  
 19/98; 604/289  
 CPC .... A01K 13/00; A01K 13/002; A01K 13/003;  
 B26B 19/24; B26B 19/063; B26B 21/16;  
 B26B 21/18; B26B 21/521; B26B  
 21/4075; B26B 21/522; A45D 24/30;  
 A45D 24/00; A45D 24/04; A45D 24/10;  
 A45D 24/36; A45D 24/02; A46B 5/02;  
 A46B 5/021; A46B 5/026; A46B 5/028;  
 A46B 2200/1093; A46B 2200/10; A46B  
 2200/104; A46B 9/02; A46B 9/023; A46B  
 9/026; A46B 9/028

See application file for complete search history.

(56) **References Cited**

U.S. PATENT DOCUMENTS

D166,086 S \* 3/1952 Le Febvre ..... D28/63  
 D176,304 S \* 12/1955 Bennett ..... D28/63  
 D176,554 S \* 1/1956 Racicot ..... D28/63  
 3,949,765 A 4/1976 Vallis  
 D240,435 S \* 7/1976 Remijas ..... D23/254  
 D241,091 S \* 8/1976 Ahlstrom et al. .... D4/133  
 4,121,314 A 10/1978 Nathe  
 4,161,050 A 7/1979 Sasaki et al.  
 4,287,898 A 9/1981 Konesky  
 4,325,392 A 4/1982 Iten et al.  
 4,417,595 A 11/1983 Okumura et al.  
 4,475,563 A 10/1984 Martin  
 4,500,939 A 2/1985 Gueret  
 4,694,525 A 9/1987 Yamamoto et al.  
 D314,282 S \* 2/1991 Gingras ..... D4/138  
 D324,931 S \* 3/1992 Most ..... D32/49  
 D333,921 S \* 3/1993 Vetter ..... D4/118  
 D345,653 S \* 4/1994 Joyner ..... D4/138  
 D349,193 S \* 8/1994 Sloan ..... D32/42  
 5,365,881 A \* 11/1994 Sporn ..... A01K 13/002  
 119/633  
 D358,491 S \* 5/1995 Hoagland ..... D32/42  
 D361,894 S \* 9/1995 Hoagland ..... D4/118  
 5,503,109 A \* 4/1996 Sporn ..... A01K 13/002  
 119/633  
 5,638,608 A 6/1997 Dorber  
 D389,618 S \* 1/1998 Rosen ..... D30/158  
 D392,104 S \* 3/1998 Berti ..... D4/138  
 D394,352 S \* 5/1998 Berti ..... D4/132  
 5,755,242 A 5/1998 Denebeim  
 D428,705 S \* 8/2000 Larson ..... D4/118  
 6,213,055 B1 \* 4/2001 Willinger ..... A01K 13/002  
 119/633

6,226,811 B1 5/2001 Fagan  
 6,308,717 B1 10/2001 Vrtaric  
 D468,109 S \* 1/2003 Plante ..... D4/138  
 D469,614 S \* 2/2003 Libman ..... D4/138  
 D474,611 S \* 5/2003 Libman ..... D4/118  
 D495,496 S \* 9/2004 Berti ..... D4/138  
 D495,497 S \* 9/2004 Berti ..... D4/138  
 D495,500 S \* 9/2004 Berti ..... D4/138  
 D507,682 S \* 7/2005 Dunn ..... D30/158  
 D508,299 S \* 8/2005 Dunn ..... D30/158  
 D509,660 S \* 9/2005 Listenberger ..... D4/138  
 6,955,137 B2 \* 10/2005 Dunn ..... A01K 13/002  
 119/617  
 D513,349 S \* 12/2005 Hammer ..... D30/158  
 D514,331 S \* 2/2006 Liu ..... D4/138  
 D530,098 S \* 10/2006 Neal ..... D4/118  
 7,156,105 B2 1/2007 Gueret  
 D547,554 S \* 7/2007 Ajluni ..... D32/51  
 D563,677 S \* 3/2008 Zemel ..... D4/118  
 D575,519 S \* 8/2008 Libman ..... D4/132  
 D575,523 S \* 8/2008 Libman ..... D4/132  
 D575,524 S \* 8/2008 Libman ..... D4/119  
 D575,525 S \* 8/2008 Libman ..... D4/118  
 D575,526 S \* 8/2008 Libman ..... D4/118  
 D575,528 S \* 8/2008 Libman ..... D4/133  
 D575,530 S \* 8/2008 Libman ..... D4/132  
 D584,060 S \* 1/2009 Hay ..... D4/134  
 D588,767 S \* 3/2009 Libman ..... D32/41  
 D613,003 S \* 3/2010 Miller ..... D30/158  
 D616,651 S \* 6/2010 Lin ..... D30/158  
 D619,811 S \* 7/2010 Gringer ..... D4/134  
 D630,021 S \* 1/2011 Libman ..... D4/118  
 D637,818 S \* 5/2011 Mercier ..... D4/136  
 D640,874 S \* 7/2011 Huang ..... D4/138  
 D653,037 S \* 1/2012 Enders ..... D4/116  
 8,181,304 B1 5/2012 Kamath  
 D696,519 S \* 12/2013 Schouten ..... D4/134  
 8,615,838 B1 \* 12/2013 Lu ..... A47L 13/12  
 15/111  
 8,627,537 B2 1/2014 Mercier  
 D715,061 S \* 10/2014 Schouten ..... D4/133  
 2002/0004964 A1 1/2002 Luchino et al.  
 2002/0011251 A1 1/2002 Gueret  
 2003/0009838 A1 1/2003 Nakamura  
 2004/0003478 A1 1/2004 Mink  
 2004/0221863 A1 11/2004 Chen  
 2004/0237233 A1 12/2004 Dragan et al.  
 2005/0011029 A1 \* 1/2005 Yu ..... A47L 13/34  
 15/111  
 2005/0055788 A1 3/2005 Chang et al.  
 2005/0210614 A1 9/2005 Chang  
 2006/0207623 A1 \* 9/2006 Kung ..... A01K 13/002  
 132/119  
 2009/0083925 A1 4/2009 Mathiez  
 2010/0101594 A1 4/2010 Pulfrey  
 2010/0269841 A1 10/2010 Honnefeller et al.  
 2011/0119849 A1 \* 5/2011 Wang ..... A46B 5/0062  
 15/171  
 2013/0042816 A1 \* 2/2013 Prochaska ..... A01K 13/002  
 119/601

\* cited by examiner



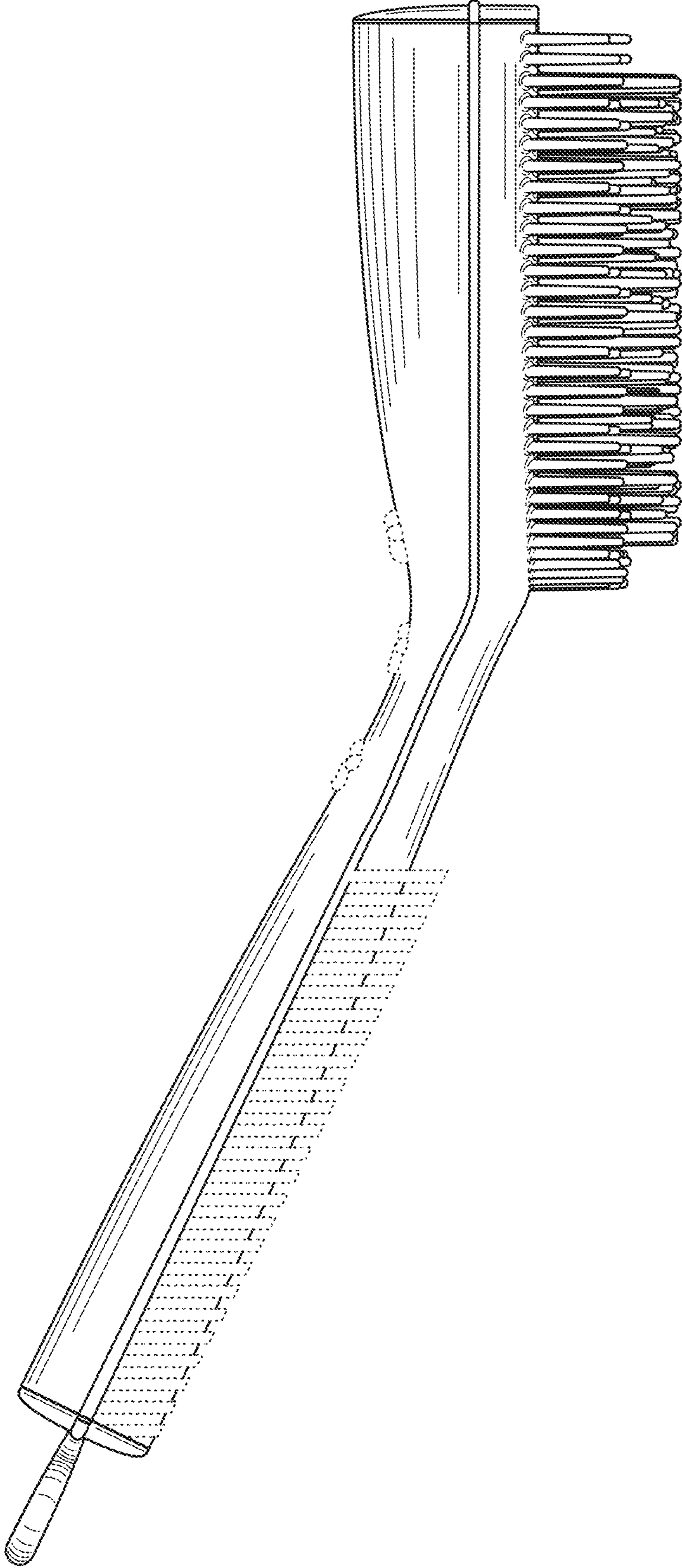


FIG. 1

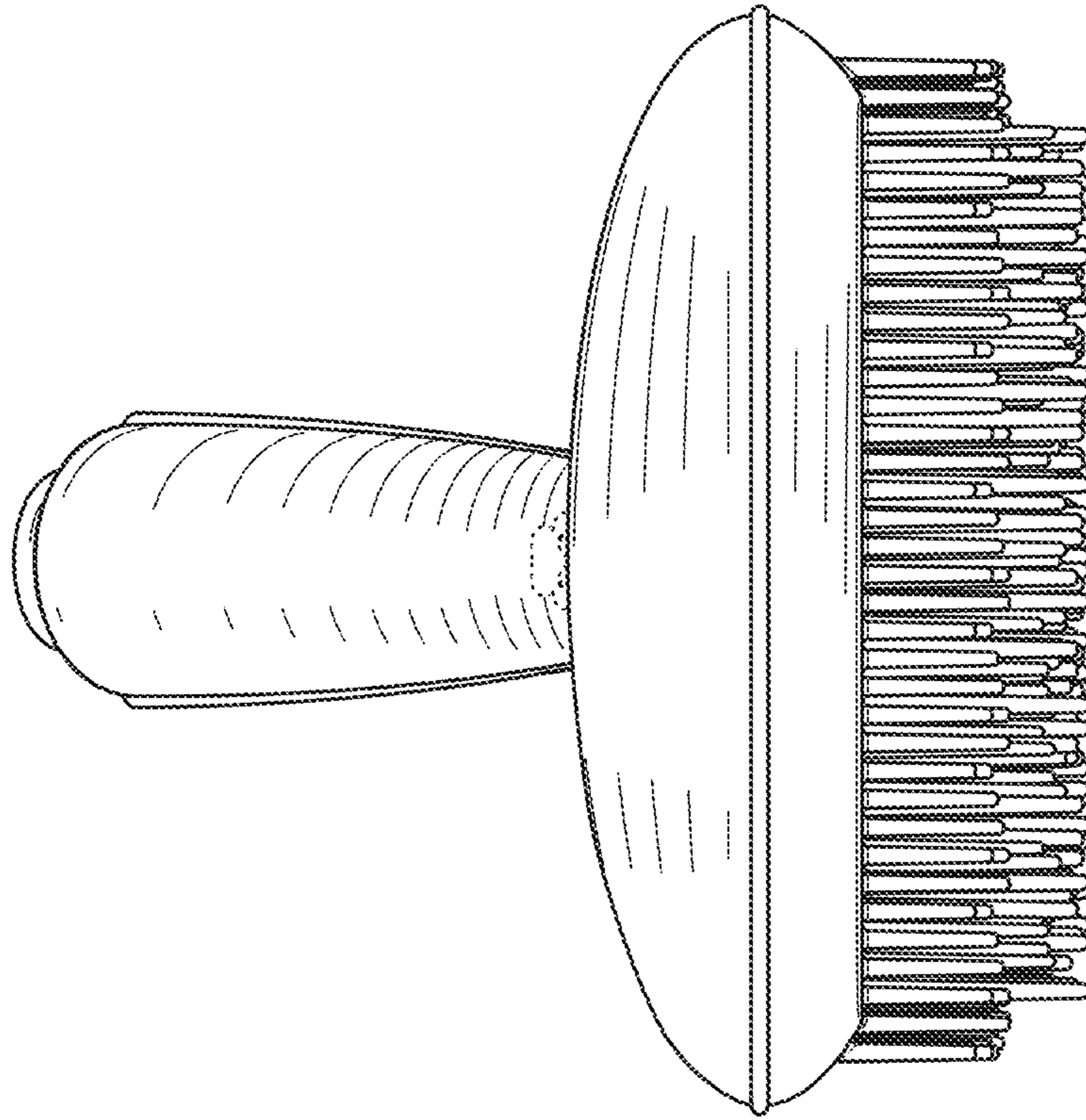


FIG. 3

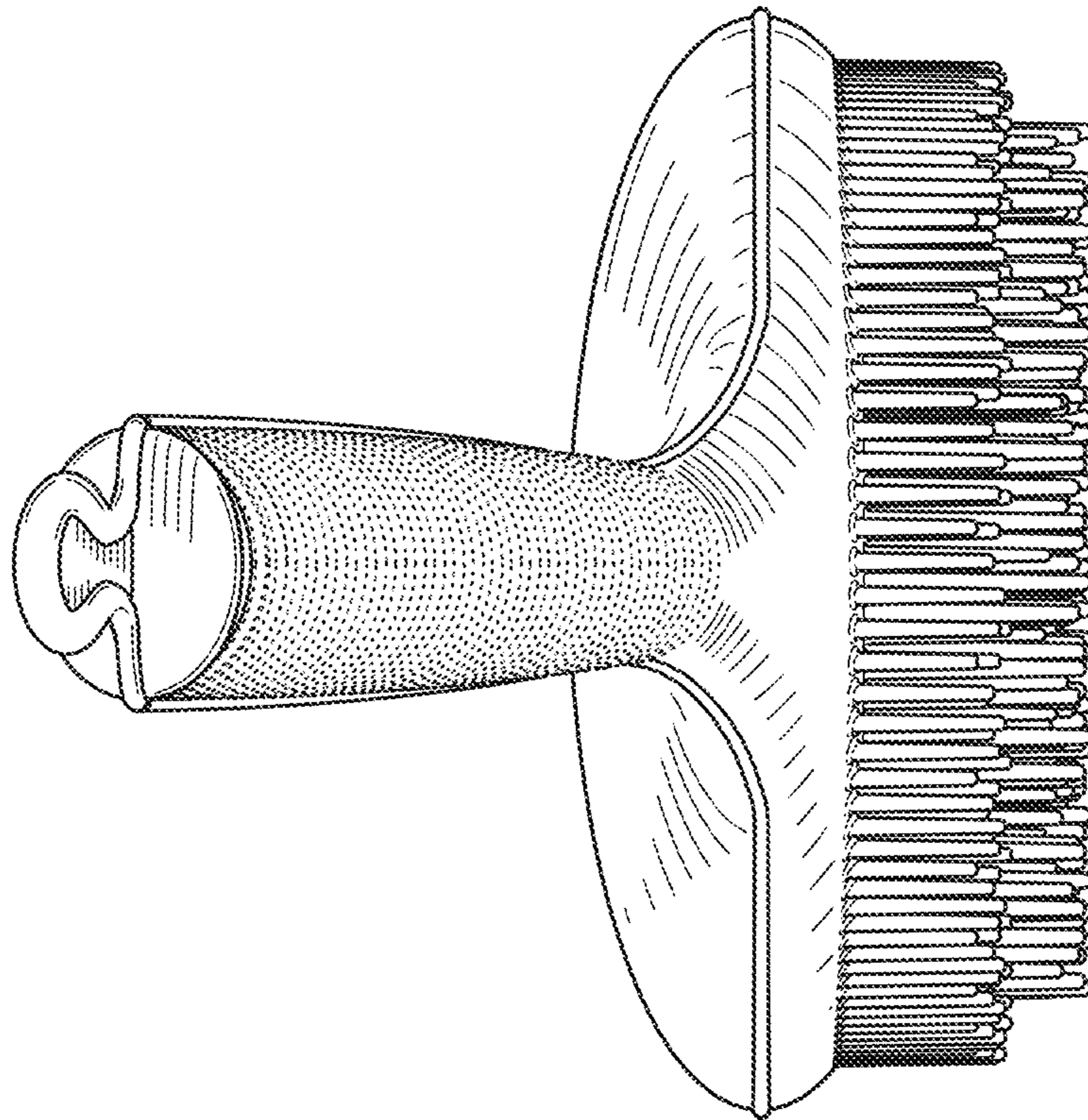


FIG. 2

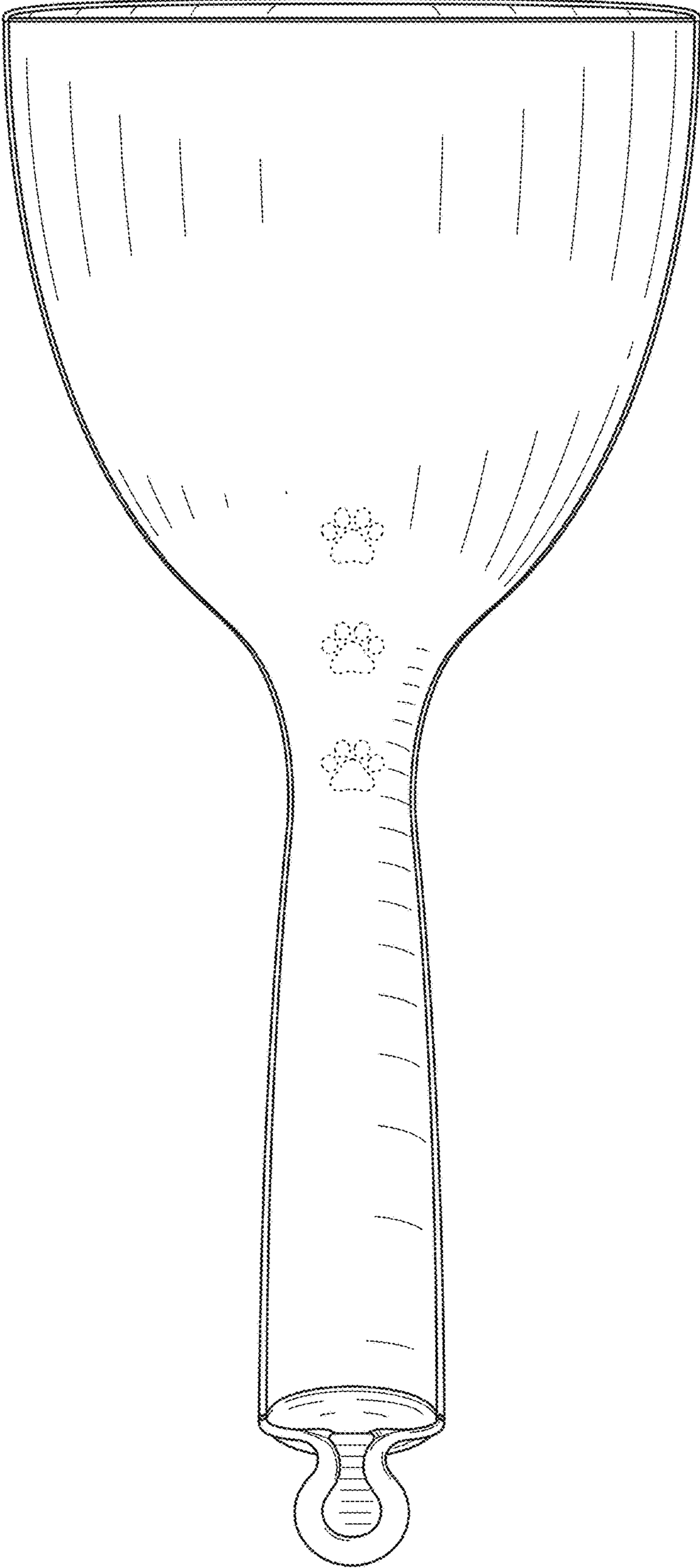


FIG. 4



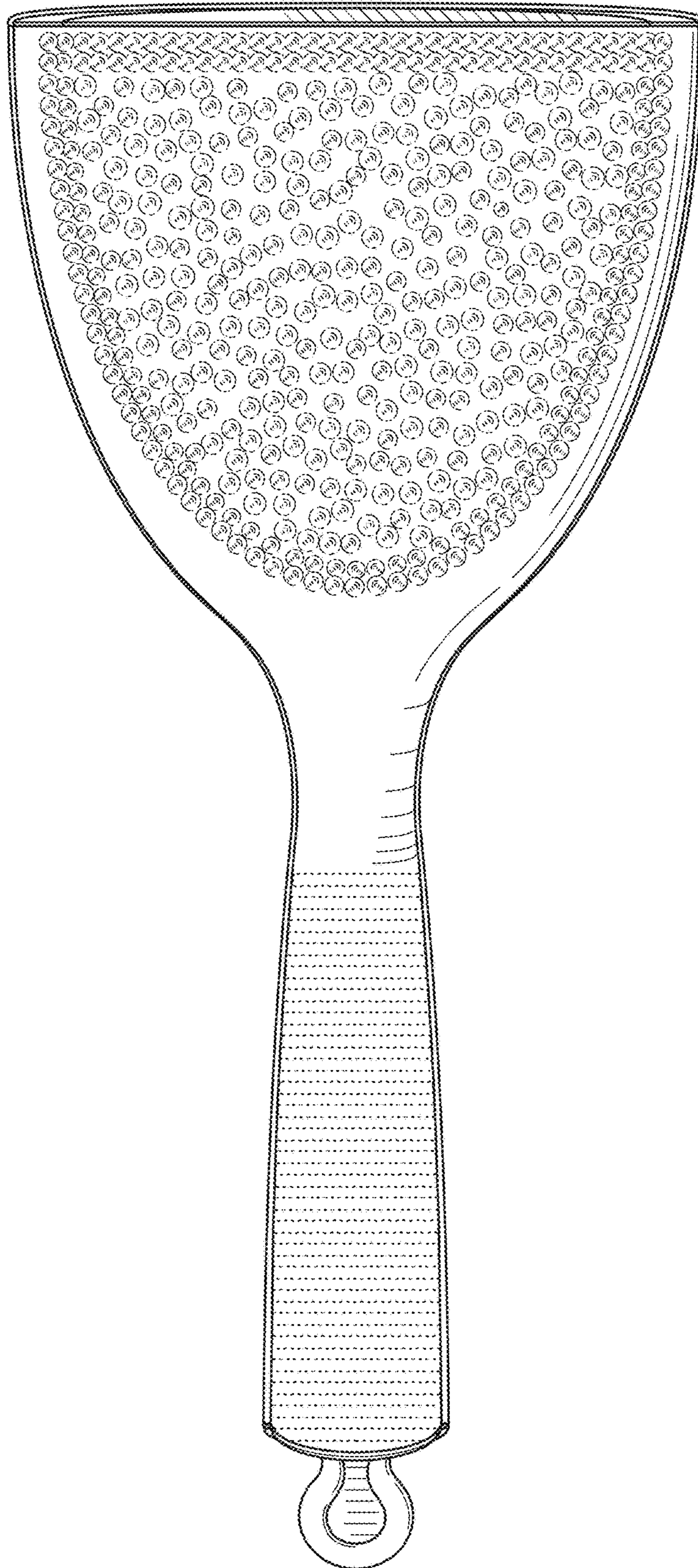


FIG. 5

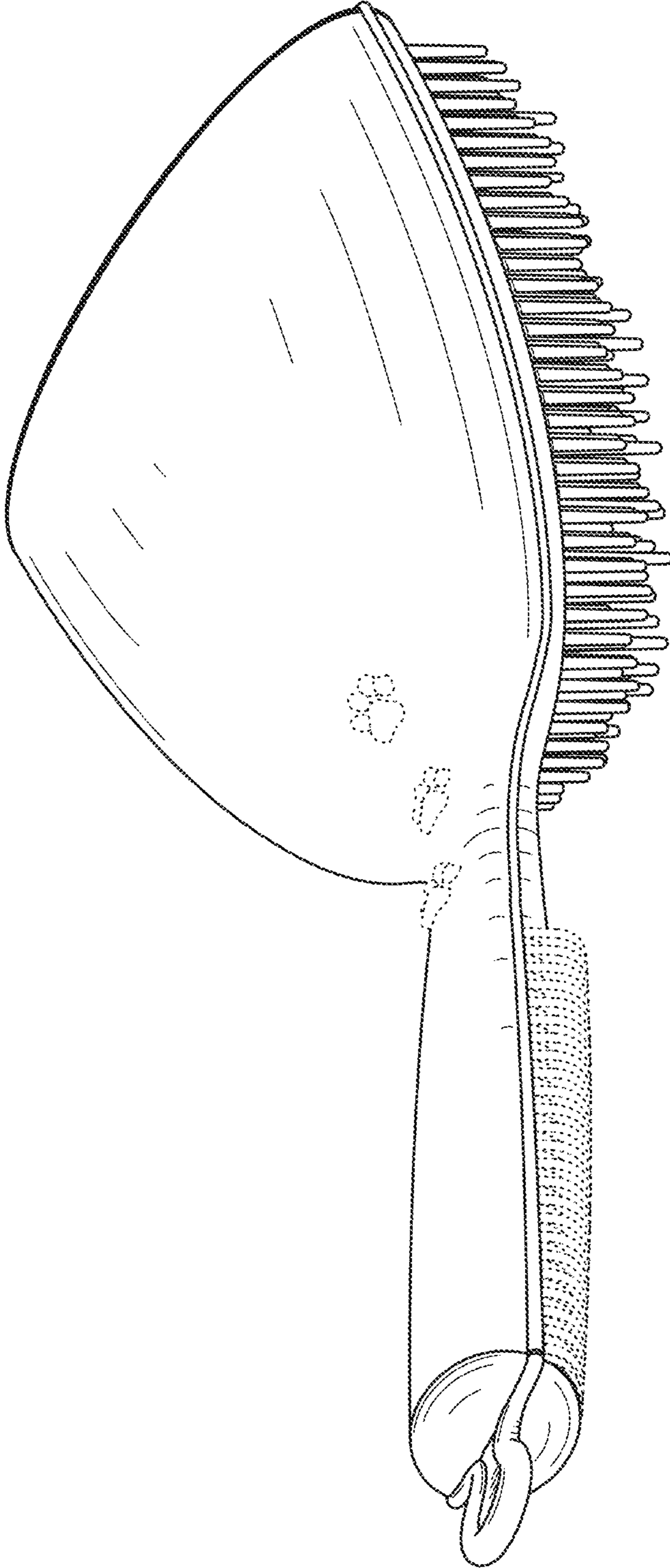


FIG. 6