



US00D813469S

(12) **United States Design Patent**
Conley

(10) **Patent No.:** **US D813,469 S**
(45) **Date of Patent:** **** Mar. 20, 2018**

(54) **PET FEEDING STATION**
(71) Applicant: **Charles Conley**, Janesville, WI (US)
(72) Inventor: **Charles Conley**, Janesville, WI (US)
(73) Assignee: **Charles Conley**, Janesville, WI (US)
(**) Term: **15 Years**

(21) Appl. No.: **29/596,215**
(22) Filed: **Mar. 6, 2017**
(51) **LOC (11) Cl.** **30-03**
(52) **U.S. Cl.**
USPC **D30/133**; D30/131; D30/130; D30/121;
D30/129

(58) **Field of Classification Search**
USPC D30/133, 121, 128, 130, 132, 129;
119/52.1, 55, 61.5, 61.6, 61.57, 61.56;
D6/480-485; 248/188; 312/204;
108/153.1-157
CPC A01K 5/00; A01K 5/01; A01K 5/0107;
A01K 5/0114; A01K 5/0121; A01K
5/0128; A01K 5/0135; A01K 7/005
See application file for complete search history.

(56) **References Cited**
U.S. PATENT DOCUMENTS
1,855,314 A * 4/1932 Schacht A01K 5/01
119/51.5
4,658,759 A 4/1987 Brown
4,976,223 A * 12/1990 Pierce A01K 5/0114
119/61.56

5,975,016 A 11/1999 Wesenhagen
7,341,019 B1 3/2008 Tsengas
8,397,676 B2 3/2013 Whitney
D682,485 S * 5/2013 Wygle D30/129
8,516,975 B2 8/2013 Becattini, Jr.
D700,407 S 2/2014 Paschall
D717,505 S * 11/2014 Diskin D30/129
9,144,225 B1 9/2015 Gaccione
D744,174 S 11/2015 Jones
9,226,478 B1 * 1/2016 Uhl A01K 5/0114
D772,494 S 11/2016 Wu
D777,993 S 1/2017 Green
D787,135 S 5/2017 Green
2017/0105386 A1 * 4/2017 Wu A01K 5/0114

* cited by examiner

Primary Examiner — Susan Moon Lee

(57) **CLAIM**

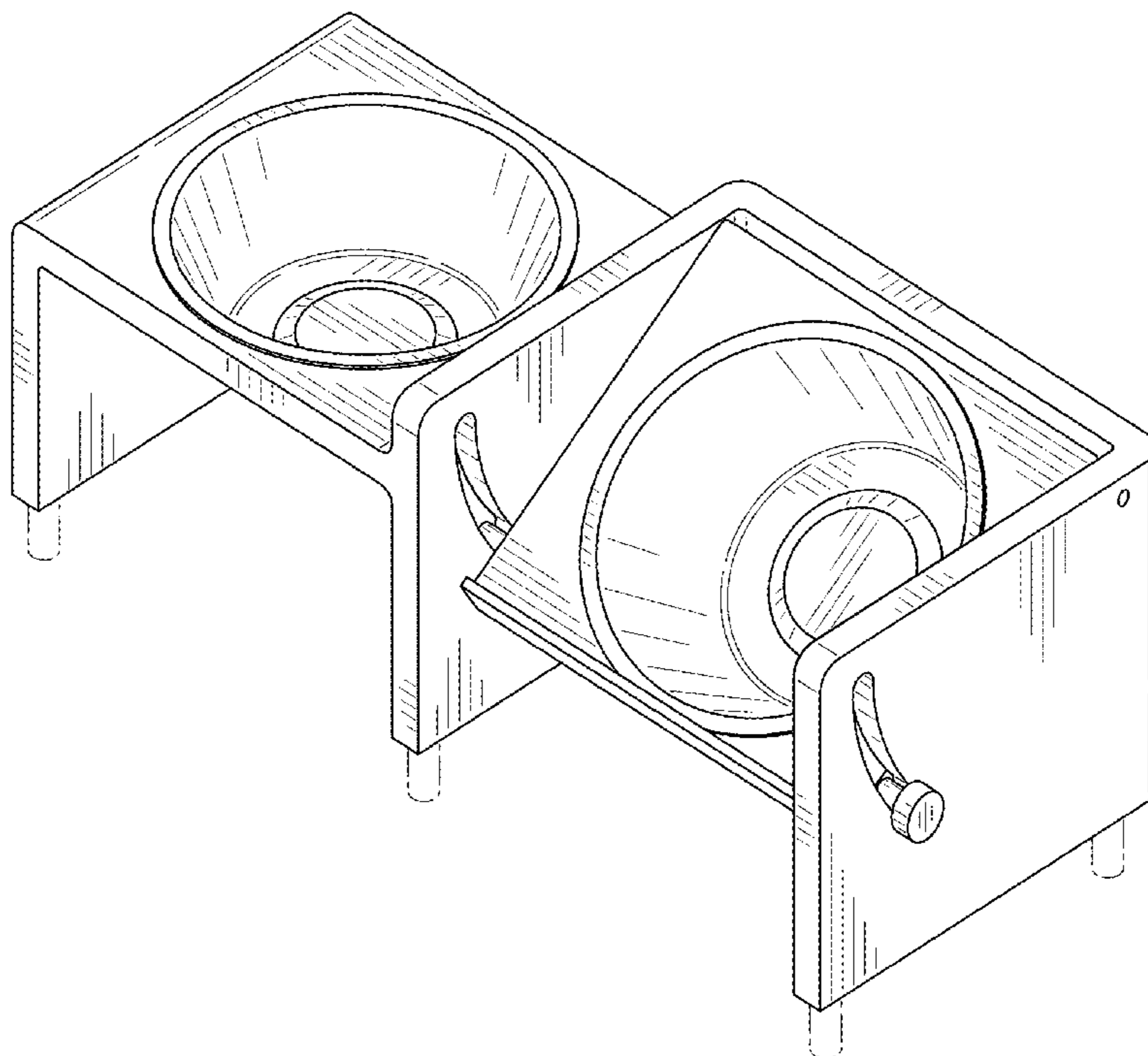
I claim the ornamental design for a pet feeding station, as shown and described.

DESCRIPTION

FIG. 1 is a front, right perspective view of a pet feeding station showing my new design;
FIG. 2 is a front view thereof;
FIG. 3 is a rear view thereof;
FIG. 4 is a right side view thereof;
FIG. 5 is a left side view thereof;
FIG. 6 is a top view thereof; and,
FIG. 7 is a bottom view thereof.

The legs depicted in broken lines are an unclaimed feature of the pet feeding station and form no part of the claimed design.

1 Claim, 4 Drawing Sheets



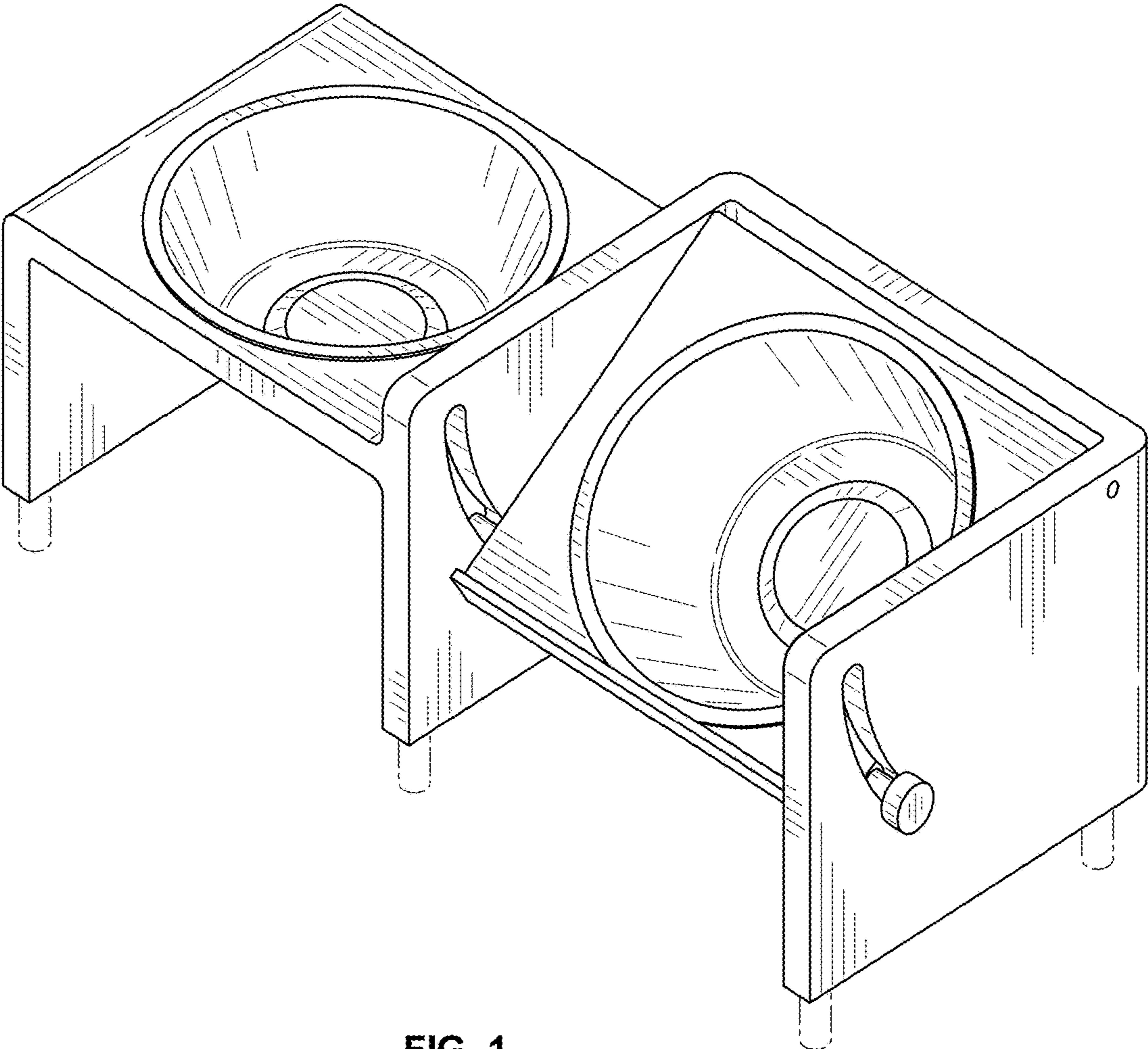


FIG. 1

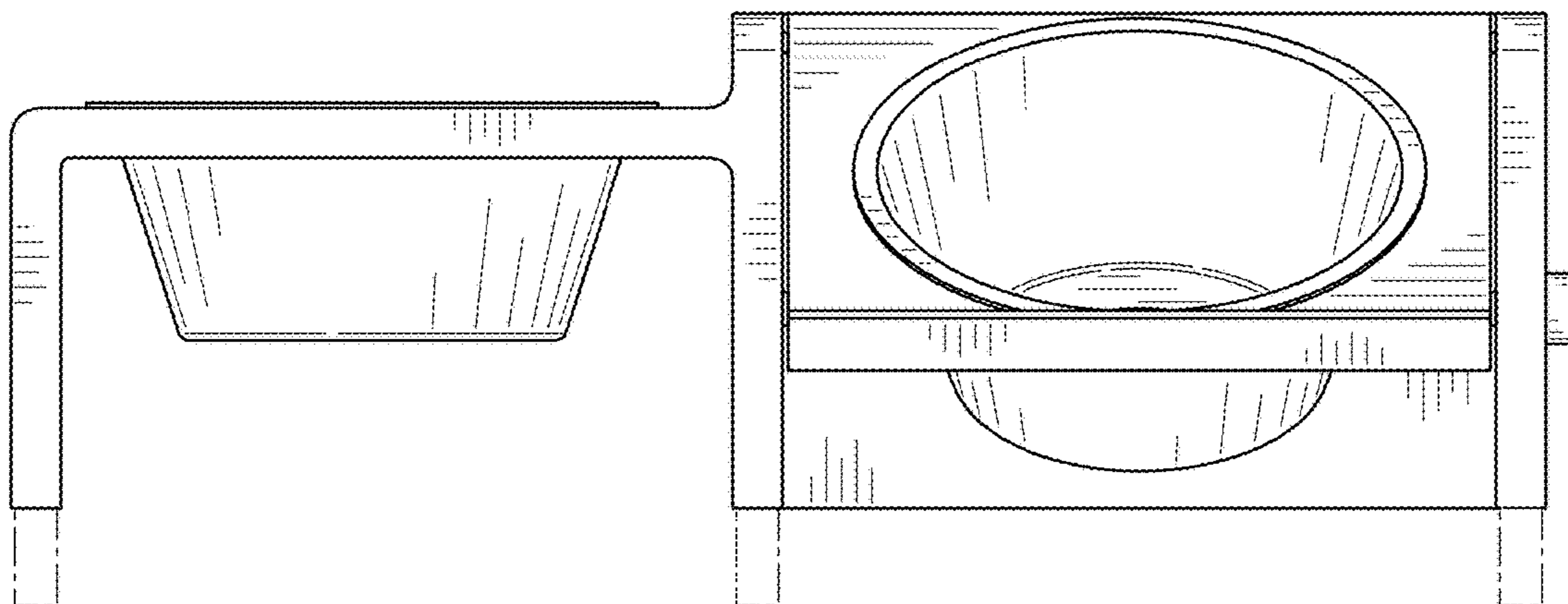


FIG. 2

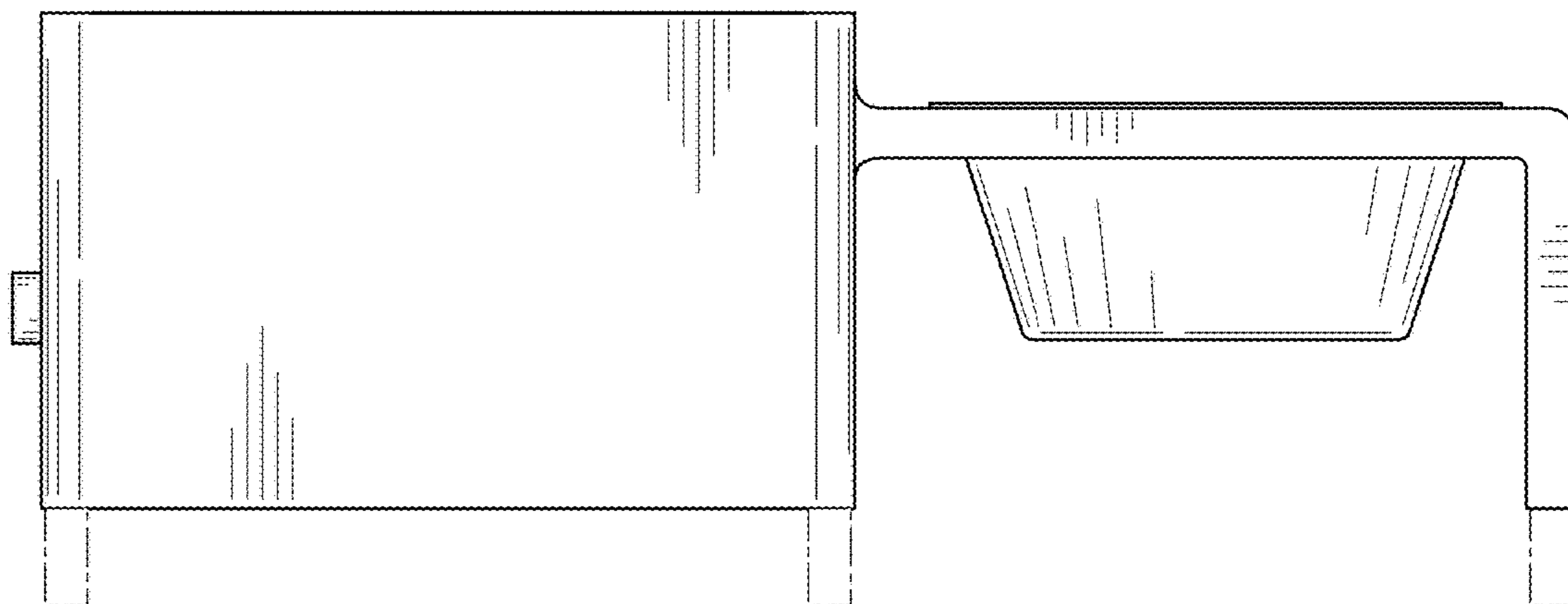


FIG. 3

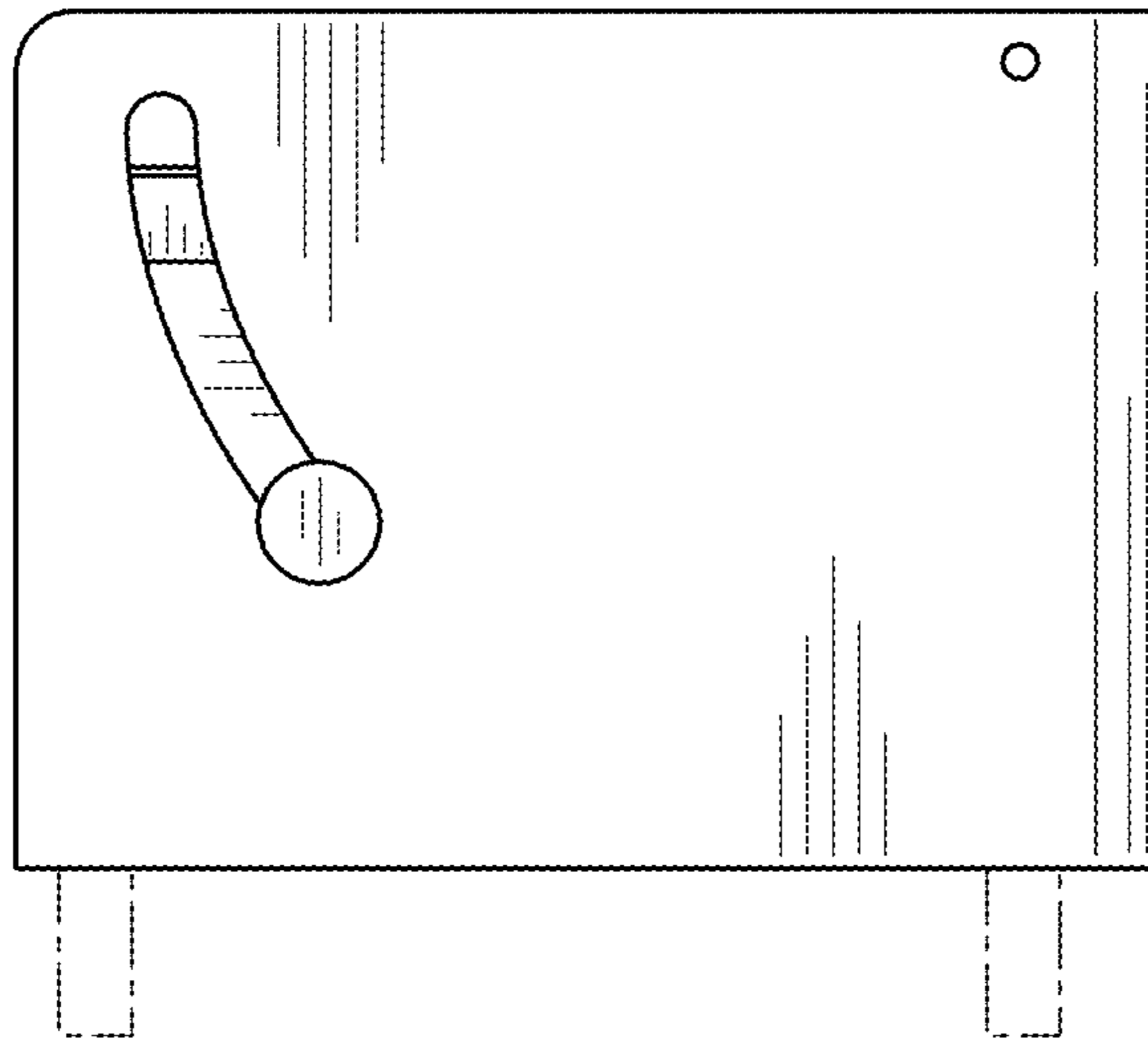


FIG. 4

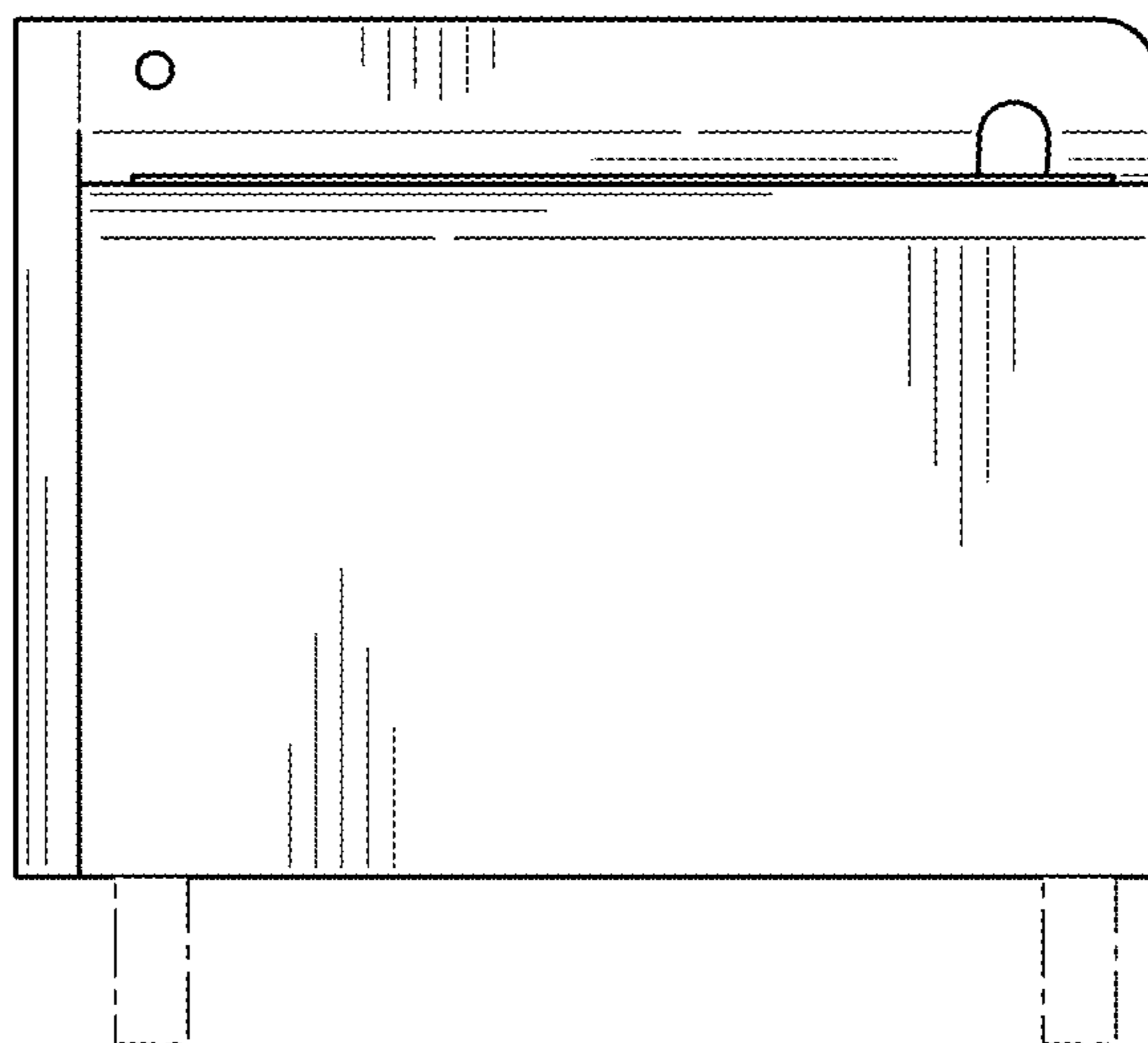


FIG. 5

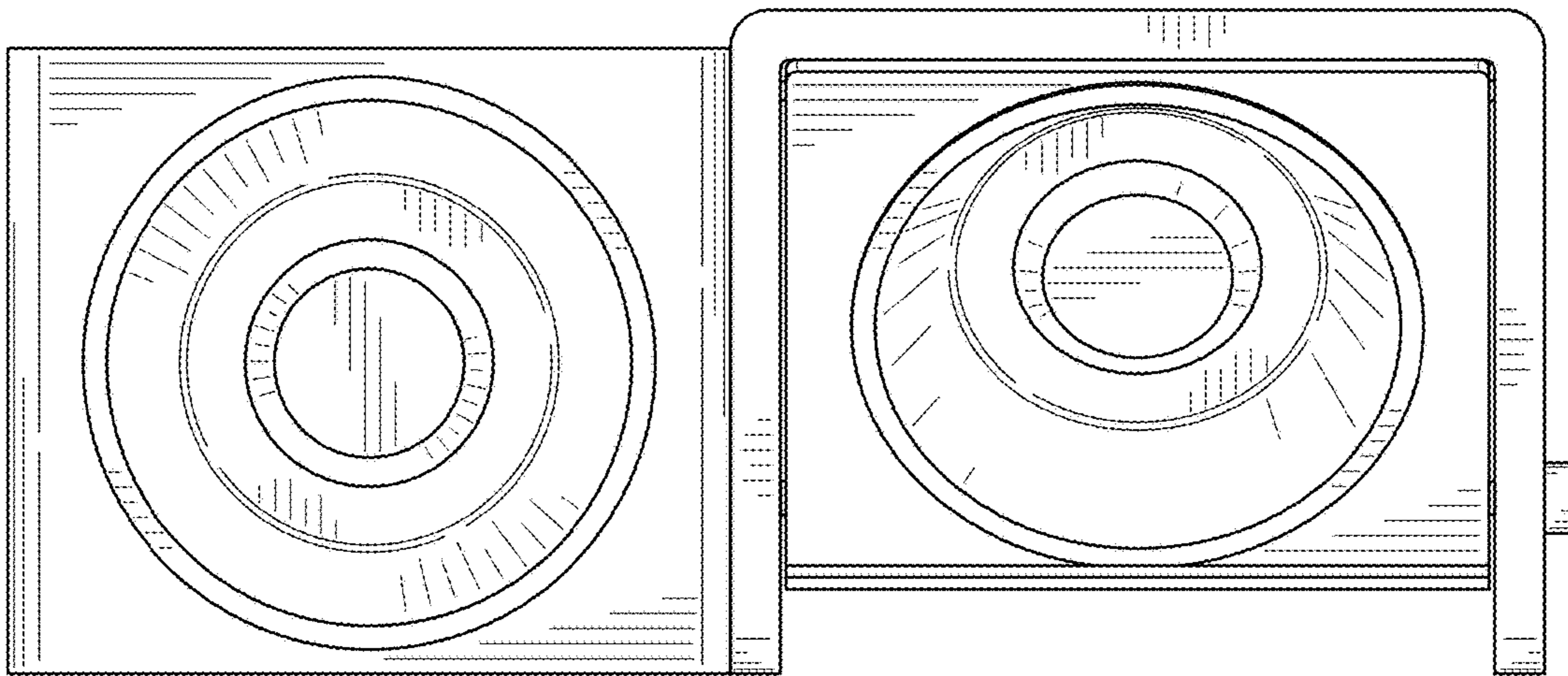


FIG. 6

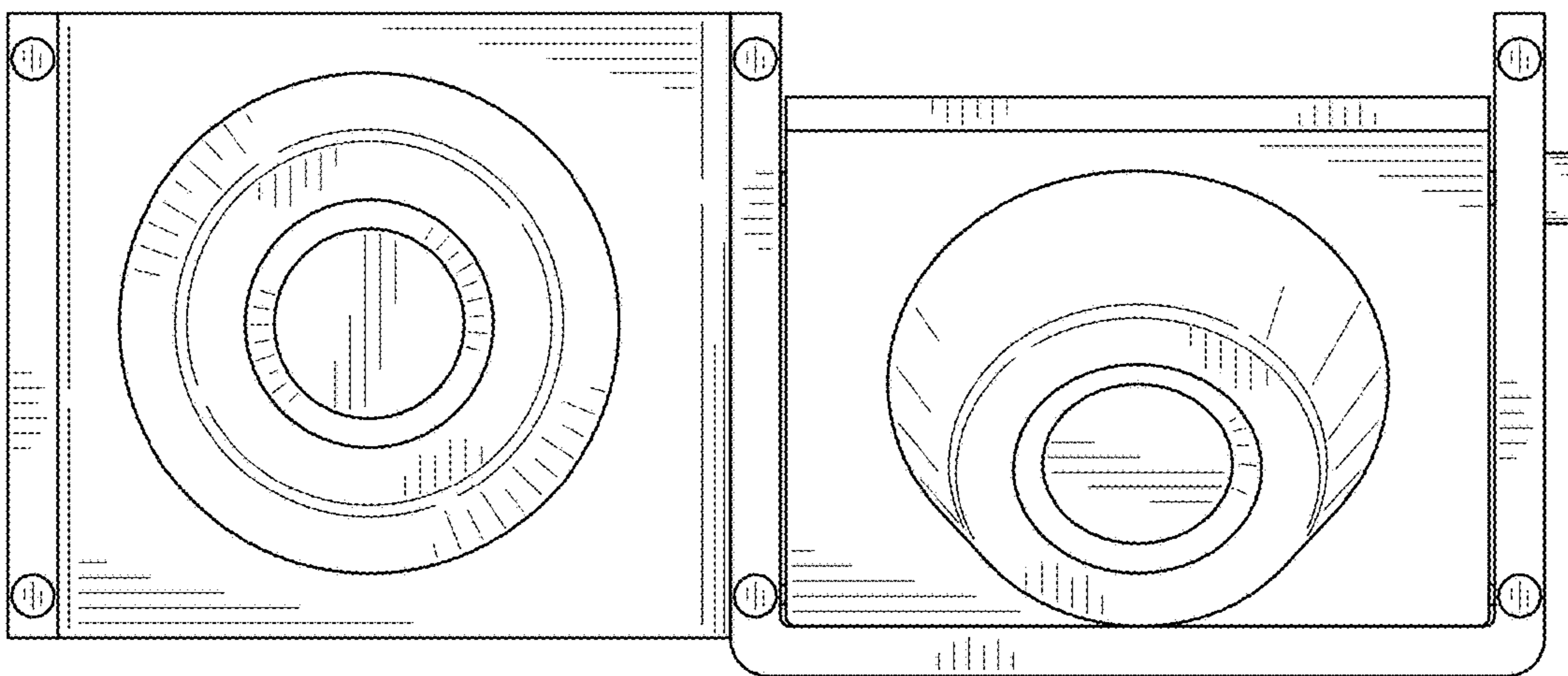


FIG. 7