



US00D813468S

(12) **United States Design Patent**
Cronkhite

(10) **Patent No.:** **US D813,468 S**

(45) **Date of Patent:** **** Mar. 20, 2018**

- (54) **PET FOOD AND WATER BOWL WITH REMOVABLE LID**
- (71) Applicant: **Greg Cronkhite**, Draper, SD (US)
- (72) Inventor: **Greg Cronkhite**, Draper, SD (US)
- (**) Term: **15 Years**
- (21) Appl. No.: **29/569,343**
- (22) Filed: **Jun. 27, 2016**
- (51) **LOC (11) Cl.** **30-03**
- (52) **U.S. Cl.**
USPC **D30/130; D30/129**
- (58) **Field of Classification Search**
USPC D30/133, 121, 128, 130, 132, 129;
119/52.1, 55, 61.5–61.56; D6/480–485;
248/188; 312/204; 108/153.1–157
CPC A01K 5/0114; A01K 5/01; A01K 5/0135;
A01K 7/005; A01K 7/00; A01K 7/02;
A01K 5/0142; A01K 5/0121; A01K
5/0128; A01K 27/004; A01K 39/014;
A01K 39/00; A01K 39/02; A01K
39/0113; A47J 43/0727; A01M 29/34;
B29C 65/48; B65D 81/36
See application file for complete search history.

- 5,752,464 A * 5/1998 King A01K 5/0114
119/51.5
- 5,909,717 A * 6/1999 Randall A01K 5/01
119/58
- D432,370 S * 10/2000 Phetthaweebancha D7/709
- D439,408 S * 3/2001 Gibson D3/276
- 6,443,096 B1 * 9/2002 Prydie A01K 5/0114
119/61.56
- D490,577 S * 5/2004 Steinbacher D1/121
- D505,520 S * 5/2005 Greig 119/51.01
- 7,263,949 B1 * 9/2007 Seaford A01K 5/0114
119/51.5
- 7,296,539 B2 * 11/2007 Iijas A01K 7/005
119/454
- D621,560 S * 8/2010 McMurphy D30/130
- D636,943 S * 4/2011 Pilz D30/122
- D649,869 S * 12/2011 Gibson D9/421
- D667,175 S * 9/2012 McMurphy D30/130
- D681,886 S * 5/2013 Paschall D30/129

(Continued)

Primary Examiner — Susan Moon Lee
(74) *Attorney, Agent, or Firm* — Richard K Thomson

(57) **CLAIM**

The ornamental design for a pet food and water bowl with removable lid, as shown and described.

DESCRIPTION

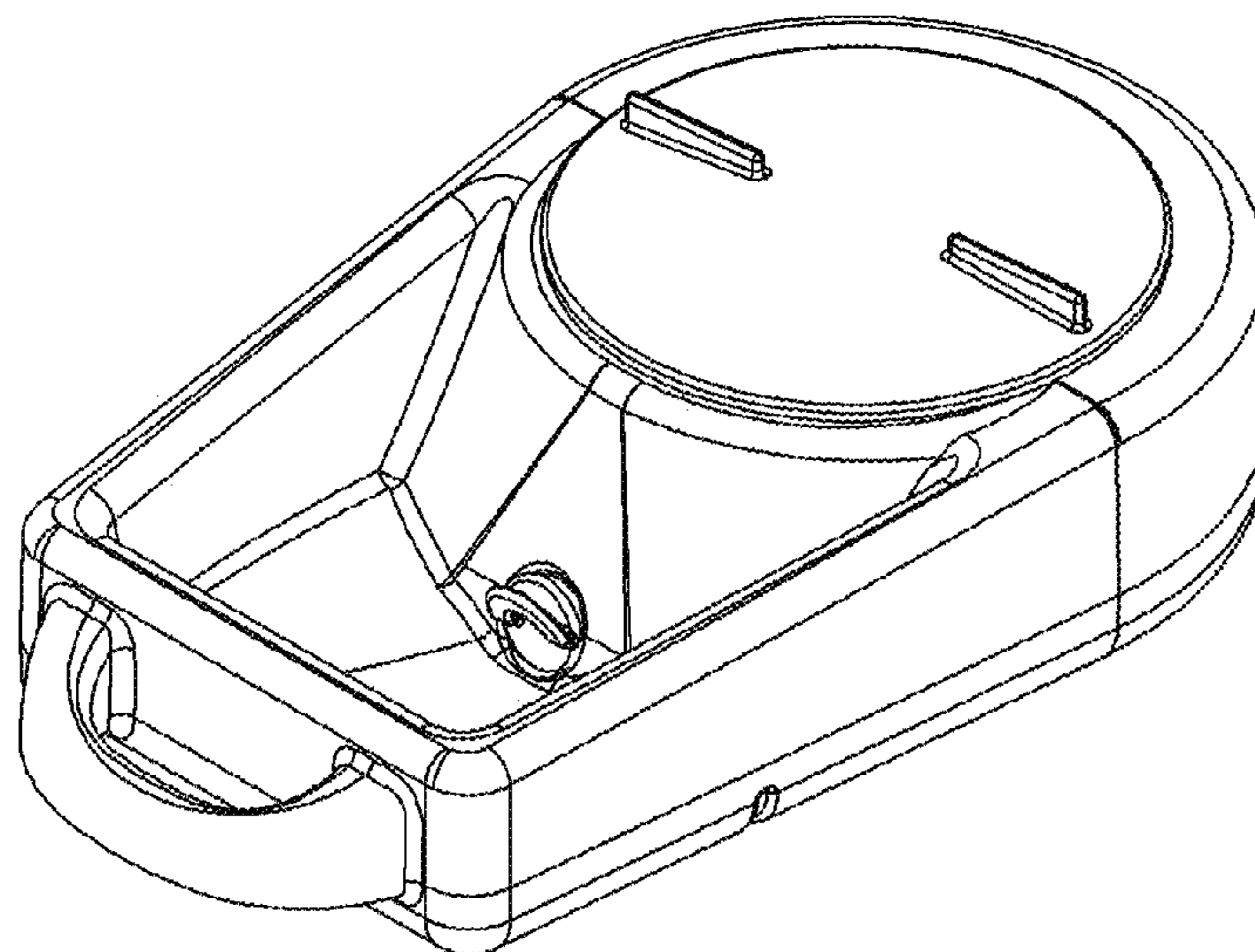
FIG. 1 is a front perspective view of a pet food and water bowl with removable lid of the present design;
FIG. 2 is a top view thereof;
FIG. 3 is a front view thereof;
FIG. 4 is a left side view thereof, the right side being a mirror image;
FIG. 5 is a rear view thereof; and,
FIG. 6 is a bottom view thereof.
Broken lines depict portions of the pet food and water bowl with removable lid that form no part of the claimed design but are shown for purposes of illustration.

1 Claim, 3 Drawing Sheets

(56) **References Cited**

U.S. PATENT DOCUMENTS

- D233,895 S * 12/1974 Mineo D30/132
- 4,175,516 A * 11/1979 Savage A01K 5/0114
119/62
- 4,216,862 A * 8/1980 Daenen A45C 11/20
206/459.5
- 4,671,210 A * 6/1987 Robinson A01K 5/0291
119/51.12
- D335,370 S * 5/1993 Kirk D30/122
- D355,509 S * 2/1995 Kirk D30/122
- 5,427,265 A * 6/1995 Cautereels A45C 11/20
16/260



(56)

References Cited

U.S. PATENT DOCUMENTS

D719,705	S *	12/2014	Hill	D30/130
D723,751	S *	3/2015	Palmer	D30/130
D743,113	S *	11/2015	Hill	D30/130
D785,874	S *	5/2017	Ward	D30/122
D792,033	S *	7/2017	Hill	D30/122
2002/0083900	A1 *	7/2002	Williams	A01K 5/0114 119/51.01
2006/0032451	A1 *	2/2006	Gonet	A01K 5/025 119/61.5
2006/0060480	A1 *	3/2006	Budd	A24F 23/00 206/266
2006/0130770	A1 *	6/2006	Rokos	A01K 5/0114 119/61.5
2007/0151010	A1 *	7/2007	Ellerbe	A01K 7/005 4/300.3
2008/0289580	A1 *	11/2008	Krishnamurthy	A01K 5/0291 119/51.11
2008/0302307	A1 *	12/2008	Bertsch	A01K 5/0114 119/61.5
2008/0314326	A1 *	12/2008	Albert	A01K 5/0114 119/61.56
2010/0018468	A1 *	1/2010	Rabello	A01K 27/004 119/61.56
2011/0114025	A1 *	5/2011	McMurphy	A01K 5/0135 119/51.5
2014/0090601	A1 *	4/2014	Stone	A01K 5/0114 119/51.01
2014/0190419	A1 *	7/2014	Harding	A01K 5/0142 119/51.5

* cited by examiner

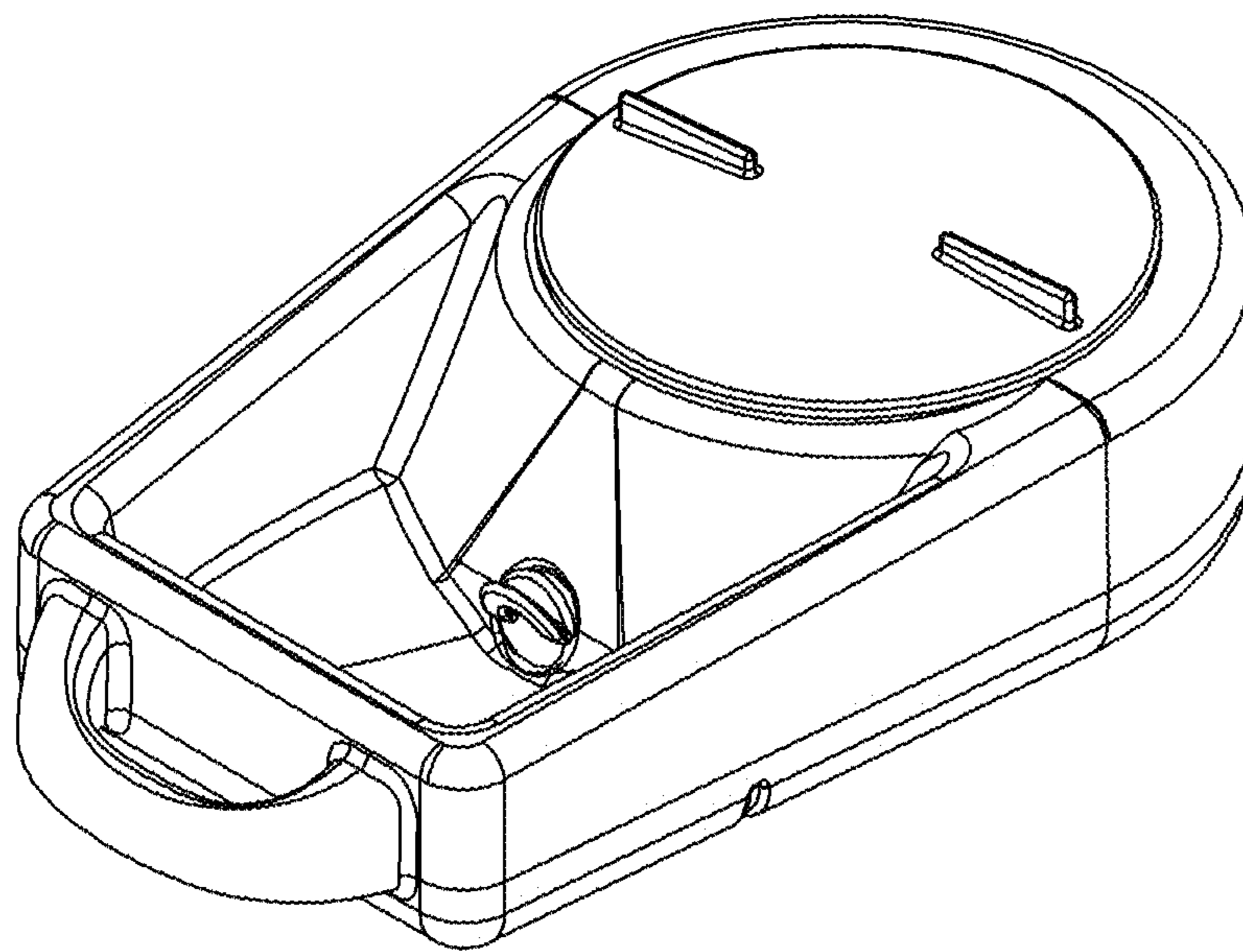


FIG. 1

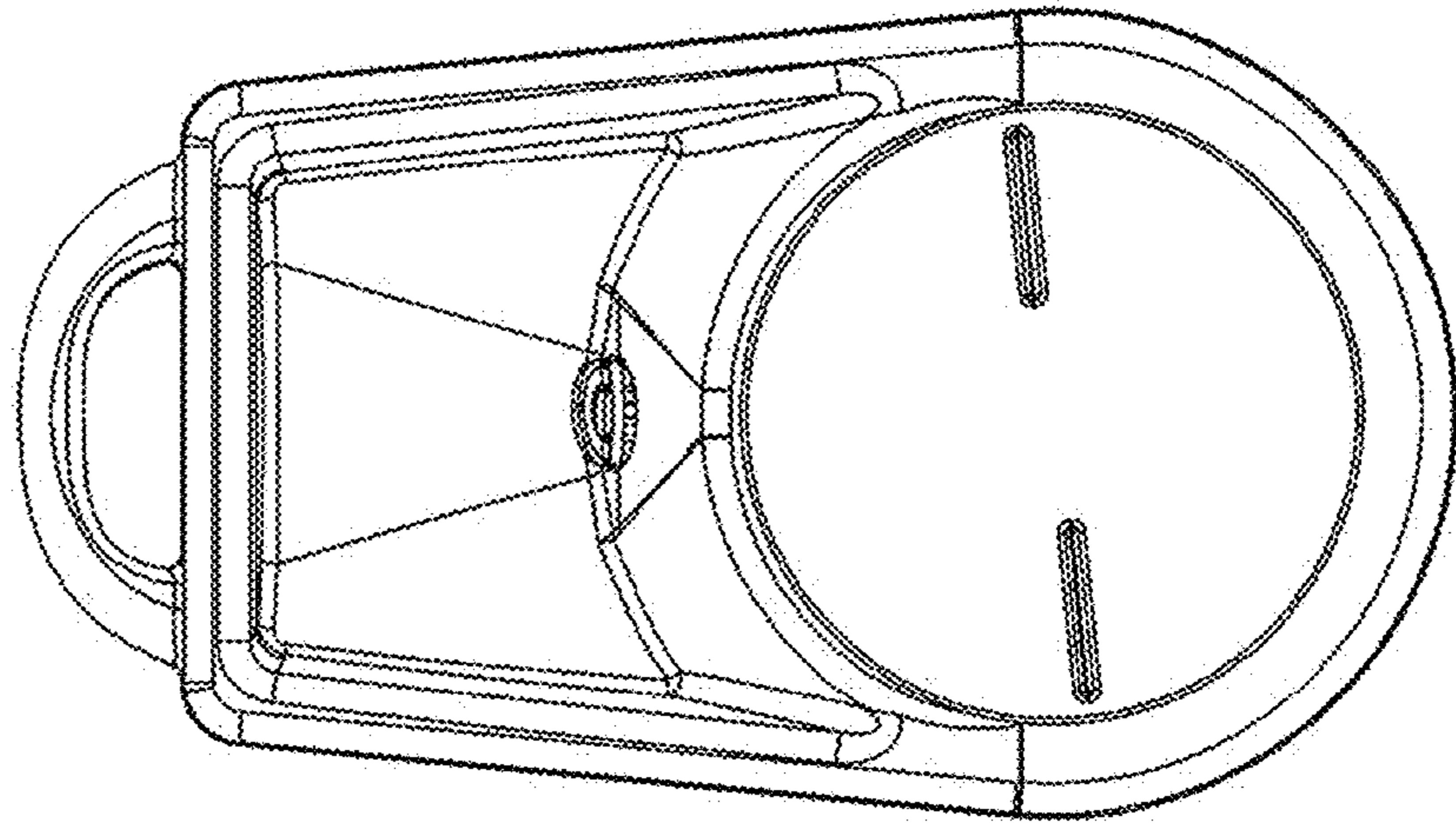


FIG. 2

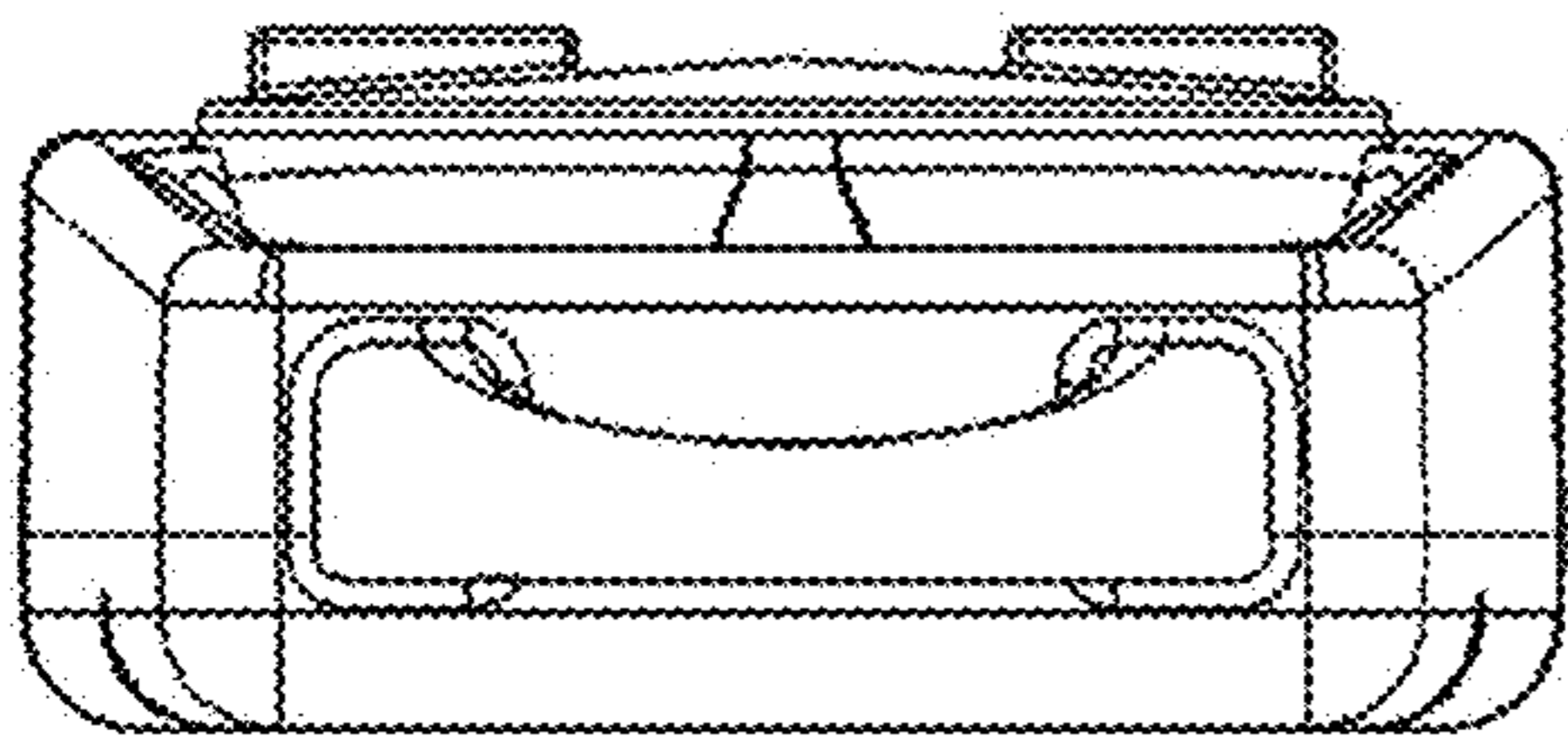


FIG. 3

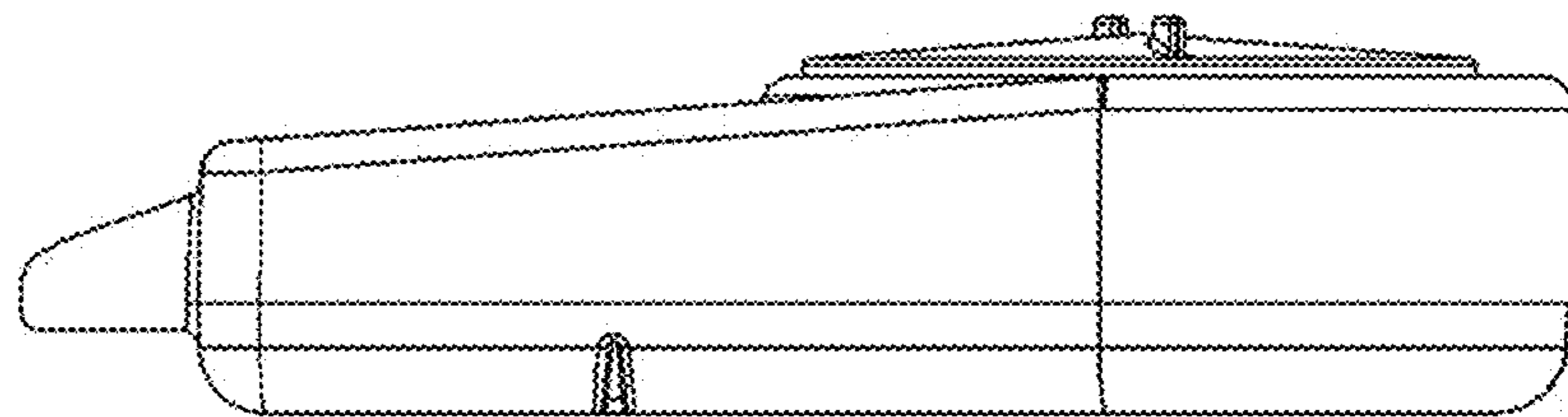


FIG. 4

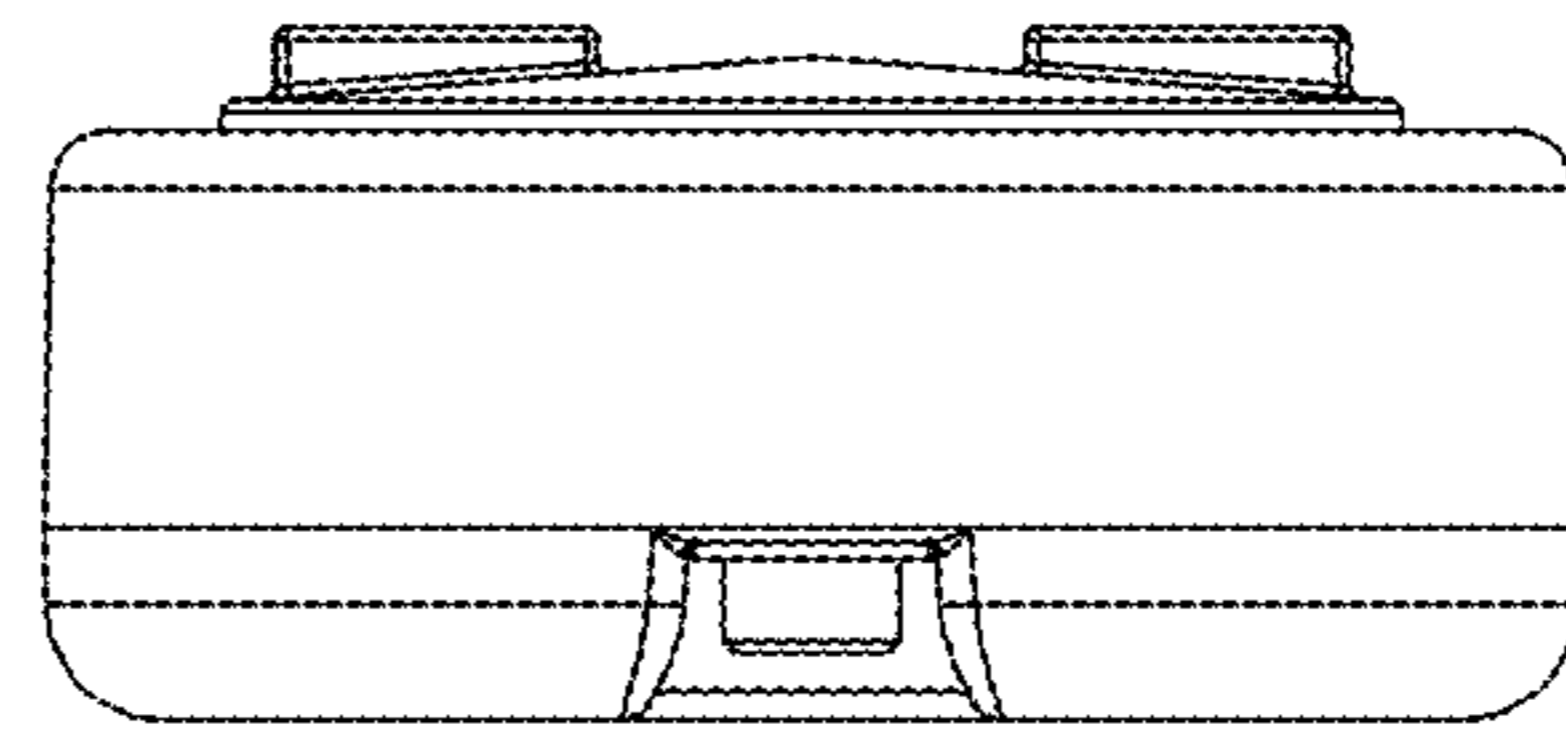


FIG. 5

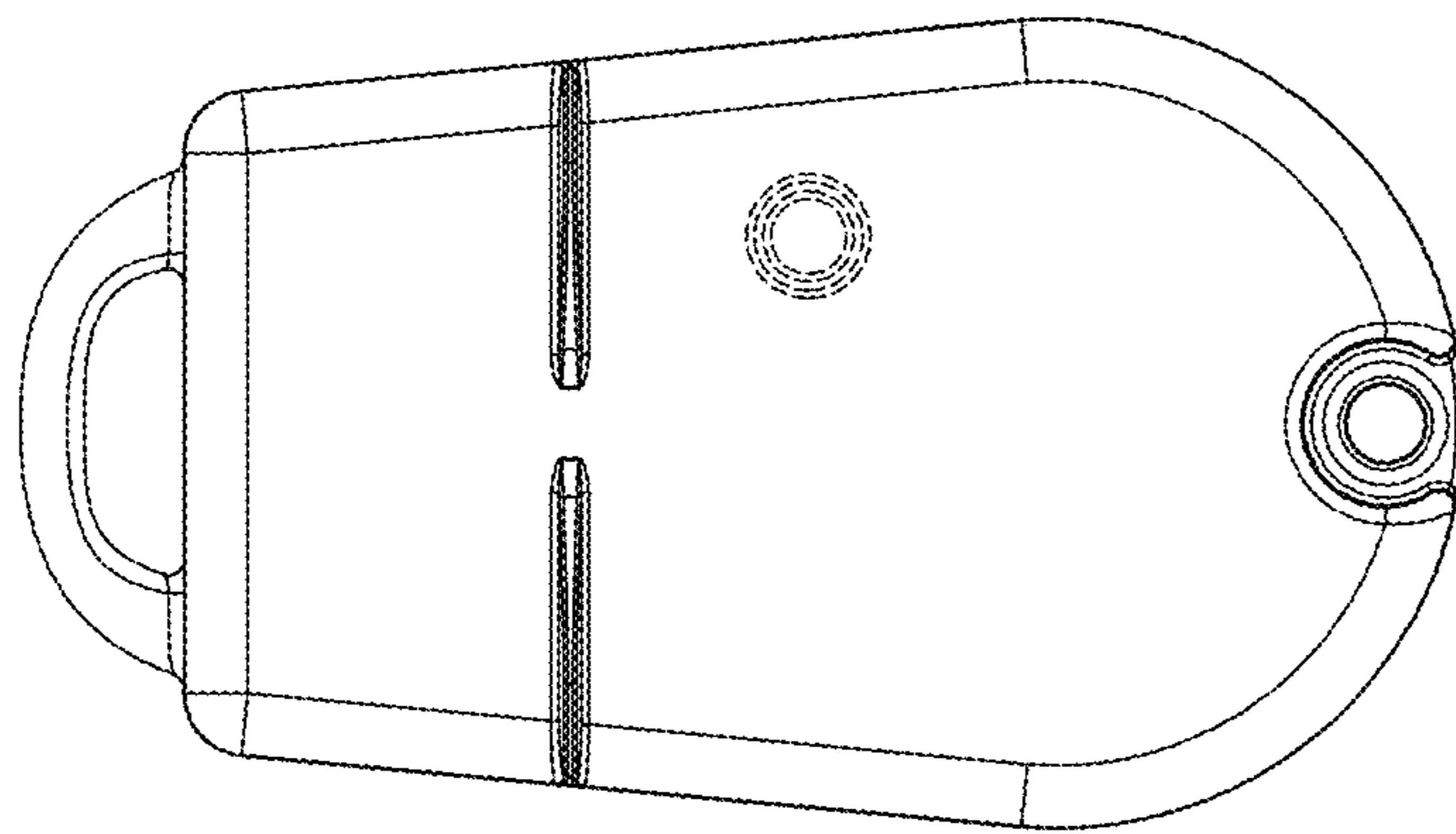


FIG. 6