



US00D813465S

(12) **United States Design Patent**
Watson et al.

(10) **Patent No.:** **US D813,465 S**
(45) **Date of Patent:** **** Mar. 20, 2018**

- (54) **SEA CREATURE AQUARIUM**
- (71) Applicant: **PetSmart Home Office, Inc.**, Phoenix, AZ (US)
- (72) Inventors: **Jeffrey Stocker Watson**, Phoenix, AZ (US); **Gary Steven Chattin**, Phoenix, AZ (US)
- (73) Assignee: **PetSmart Home Office, Inc.**, Phoenix, AZ (US)
- (**) Term: **15 Years**
- (21) Appl. No.: **29/592,713**
- (22) Filed: **Feb. 1, 2017**
- (51) **LOC (11) Cl.** **30-02**
- (52) **U.S. Cl.**
USPC **D30/103; D30/101**
- (58) **Field of Classification Search**
USPC D30/101-107; D6/302; D7/578, 582, D7/518, 521; D9/629, 643, 645, 601, D9/606; D11/56, 103, 131, 133, 145, D11/134, 144, 149, 157-158; D21/378
CPC A01K 63/00; A01K 63/003; A01K 63/02; A01K 63/006
See application file for complete search history.

5,347,952 A * 9/1994 Tsai A01K 63/003
119/246
D397,521 S * 8/1998 Gomi D30/101
D609,606 S * 2/2010 Hsu D11/158
D693,519 S * 11/2013 Xu D30/104
D796,122 S * 8/2017 Wang D30/101

OTHER PUBLICATIONS

“Top Fin® Slurpette Deep Sea Creature Aquarium.” PetSmart Inc. Copyright © 2017. Retrieved on Sep. 21, 2017. Retrieved from the Internet: URL:www.petsmart.com/fish/tanks-aquariums-and-nets/aquariums/top-fin-slurpette-deep-sea-creature-aquarium-42620.html?cgid=300129.*

* cited by examiner

Primary Examiner — Wan Laymon

(74) *Attorney, Agent, or Firm* — Duane Morris LLP

(57) **CLAIM**

We claim the ornamental design for a sea creature aquarium, as shown and described.

DESCRIPTION

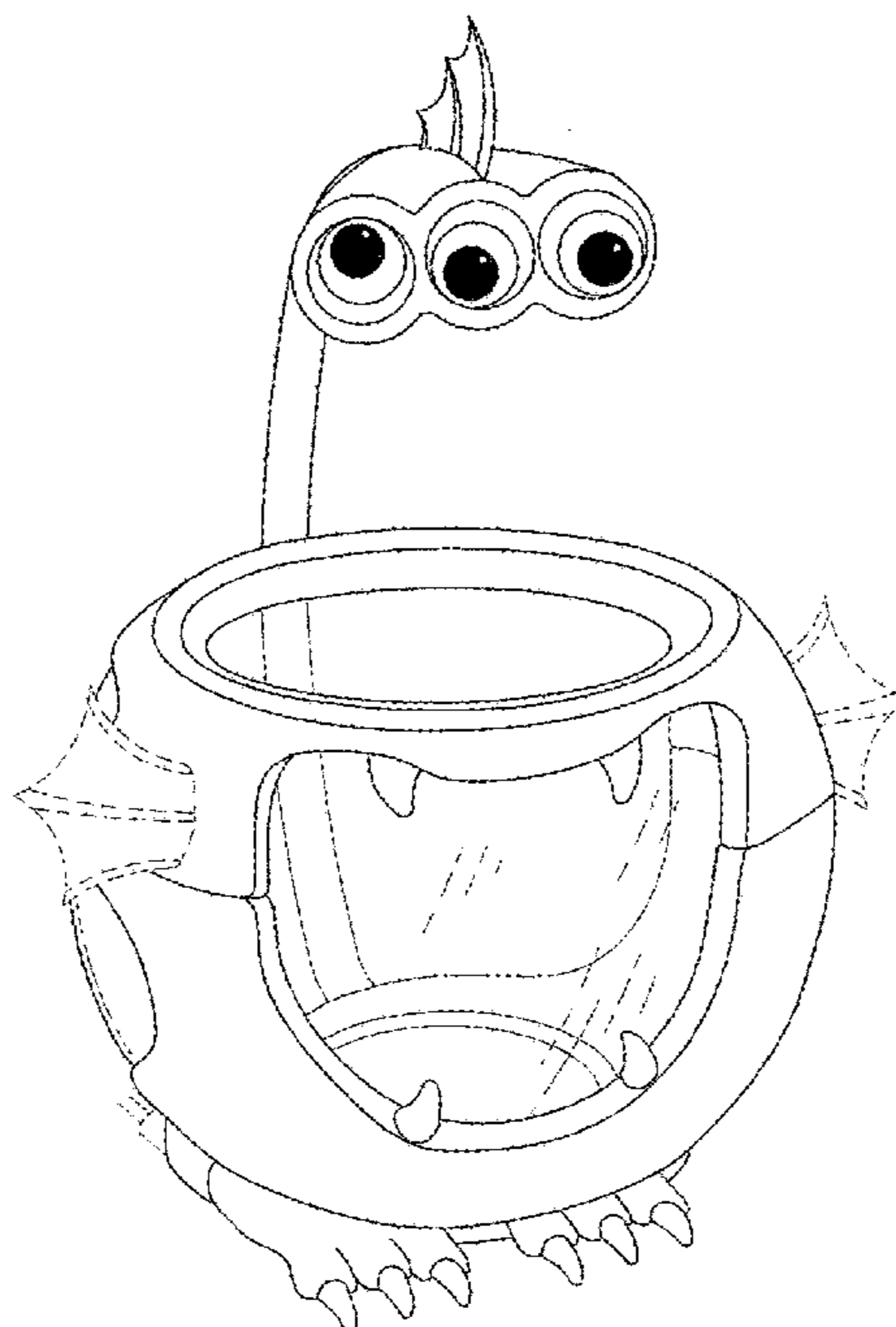
FIG. 1 is a perspective view of the sea creature aquarium. FIG. 2 is a front view of the sea creature aquarium. FIG. 3 is a rear view of the sea creature aquarium. FIG. 4 is a right side view of the sea creature aquarium. FIG. 5 is a left side view of the sea creature aquarium. FIG. 6 is a top view of the sea creature aquarium; and, FIG. 7 is a bottom view of the sea creature aquarium. The broken lines in the drawings are included for the purpose of illustrating environmental structure and form no part of the claimed design.

1 Claim, 7 Drawing Sheets

(56) **References Cited**

U.S. PATENT DOCUMENTS

- D90,646 S * 9/1933 Carnes D30/103
- D90,647 S * 9/1933 Carnes D30/103
- D231,008 S * 3/1974 Hullender D30/104
- D291,426 S * 8/1987 Husbands D11/145



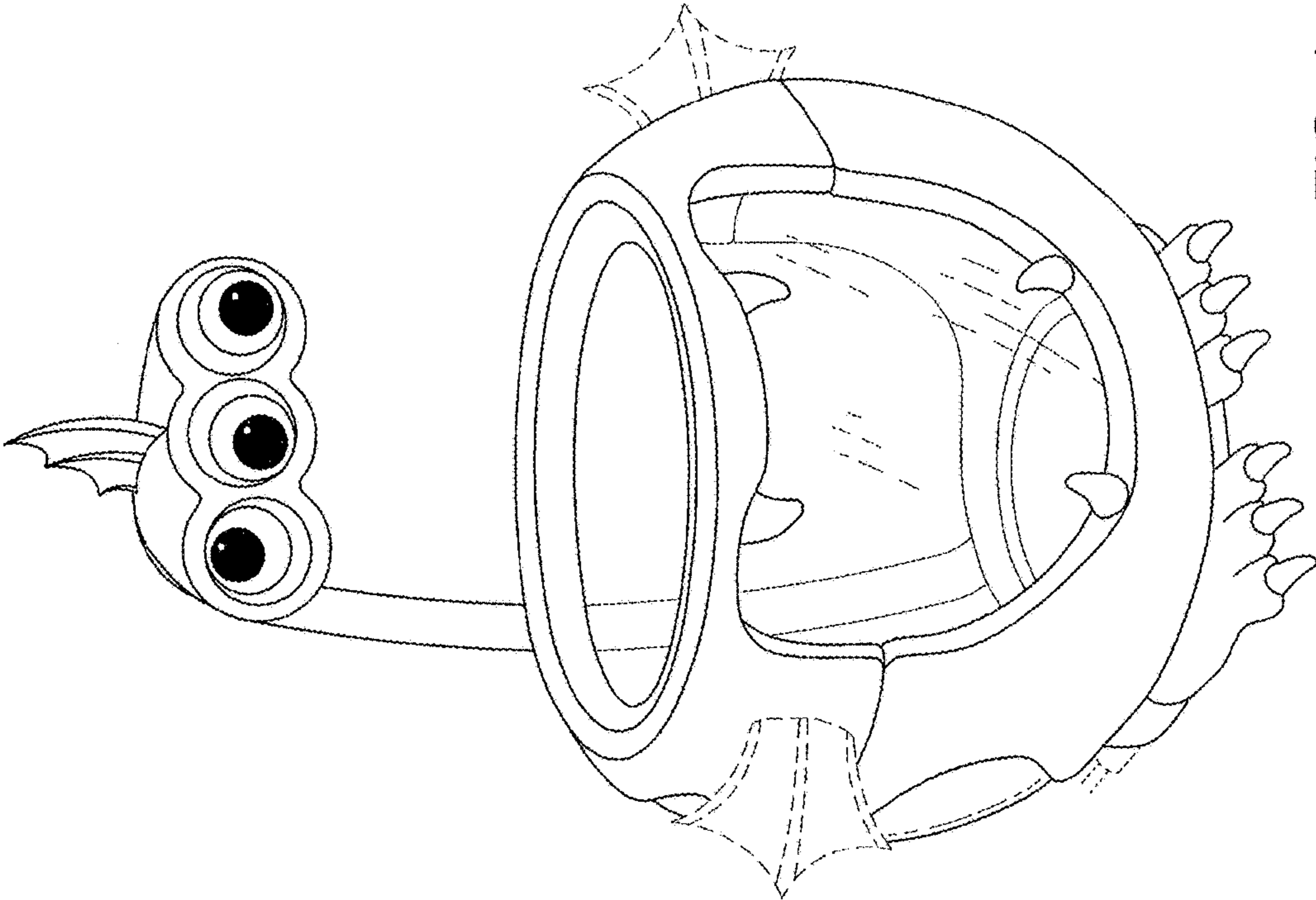


FIG. 1

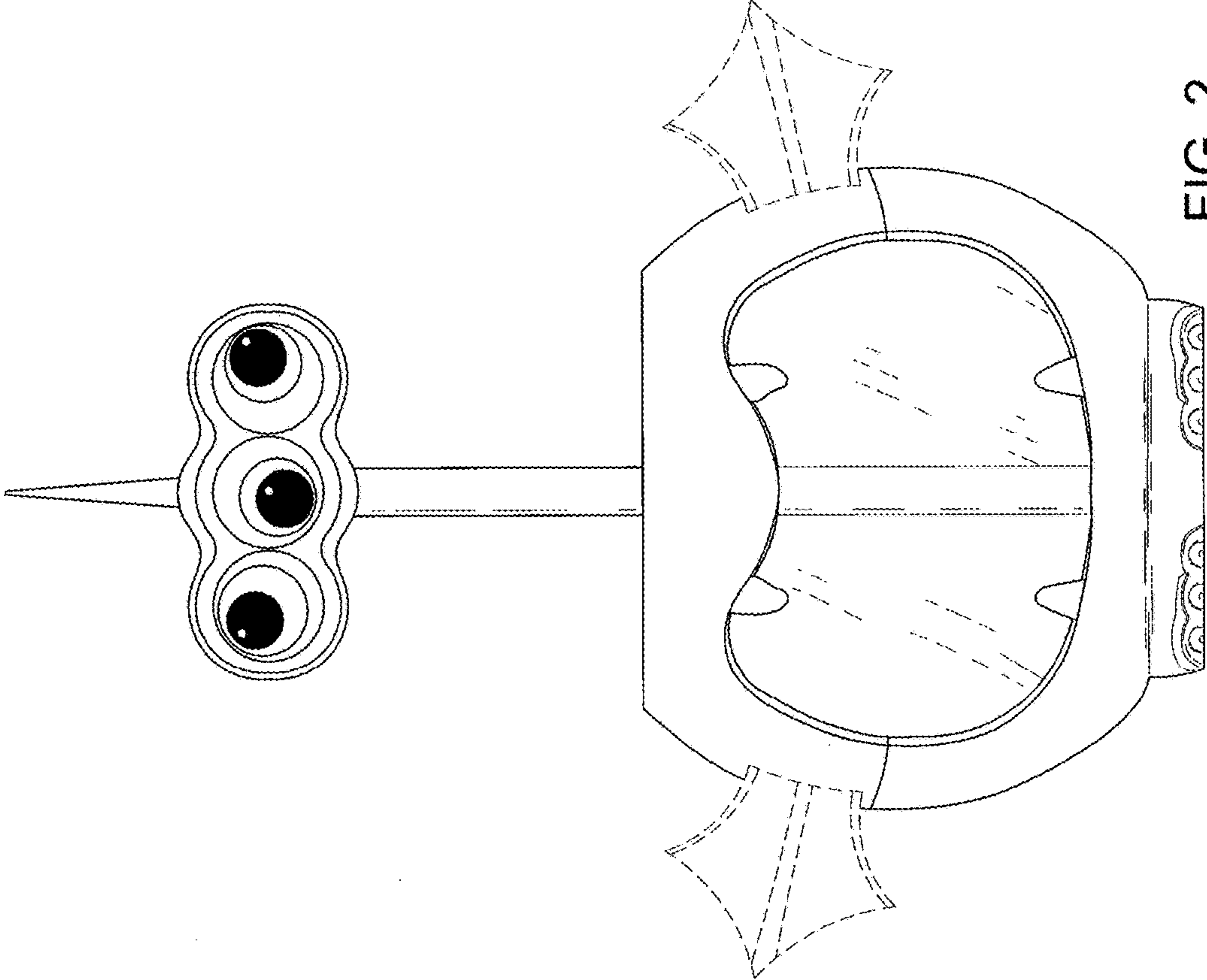


FIG. 2

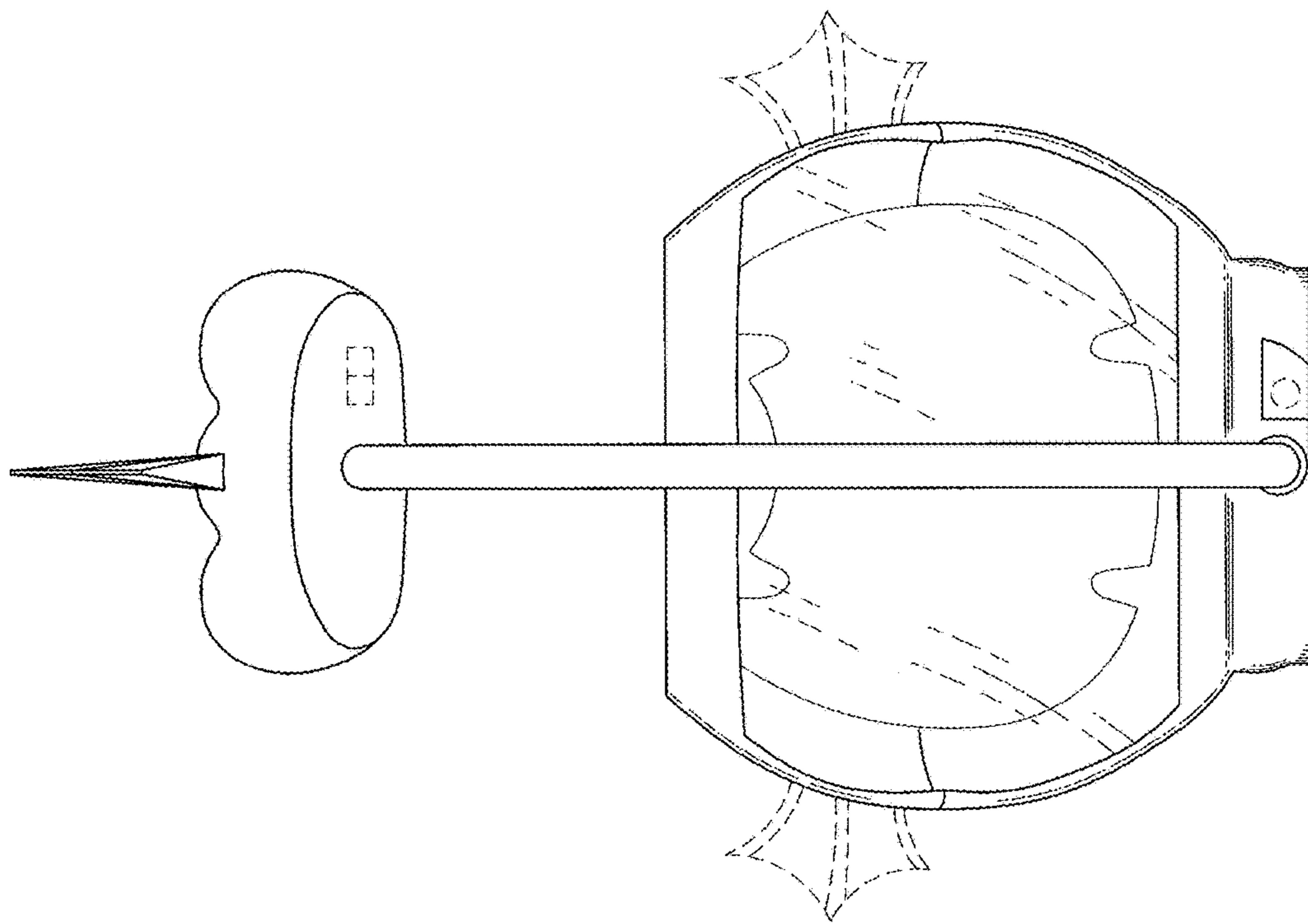


FIG. 3

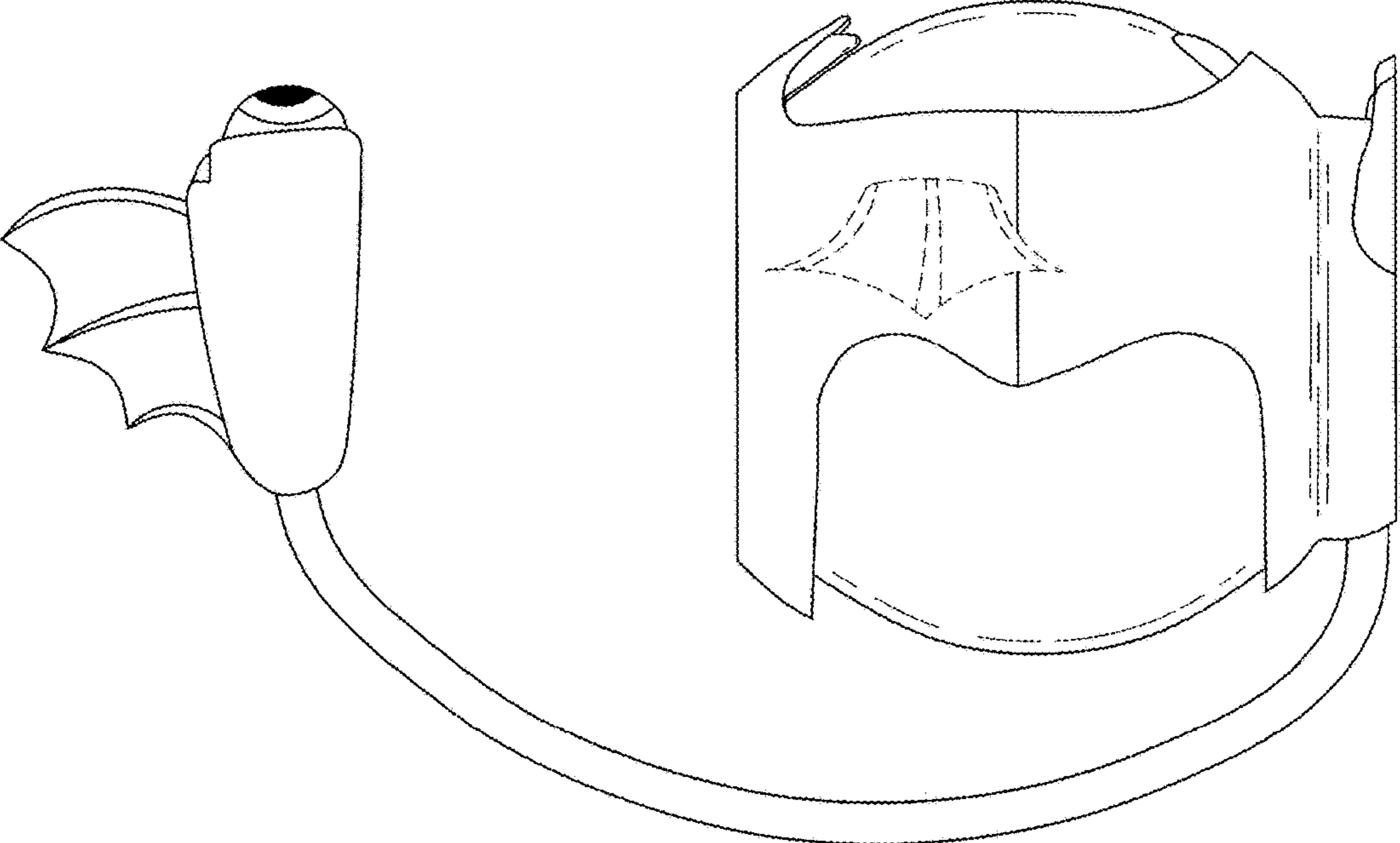


FIG. 4

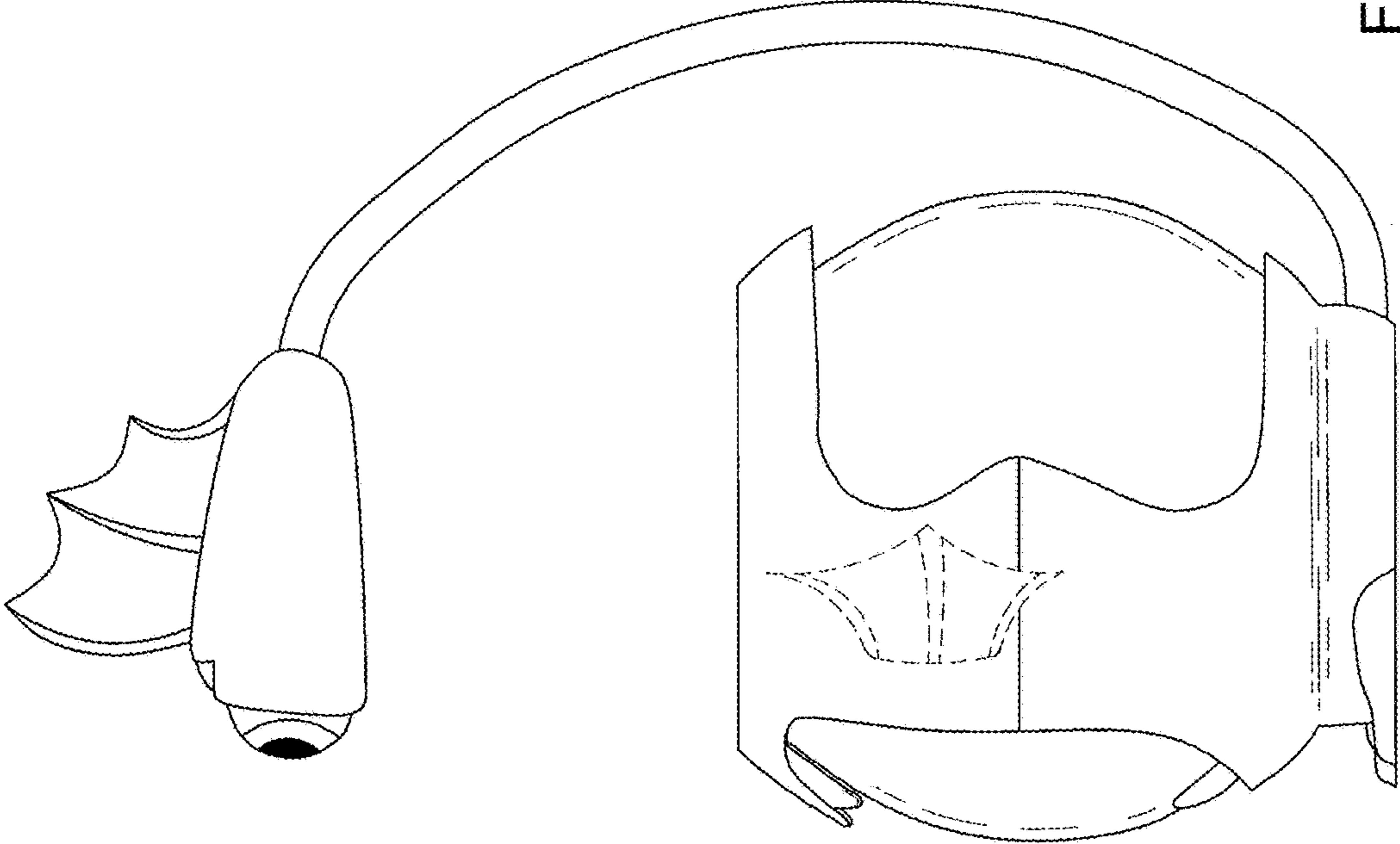


FIG. 5

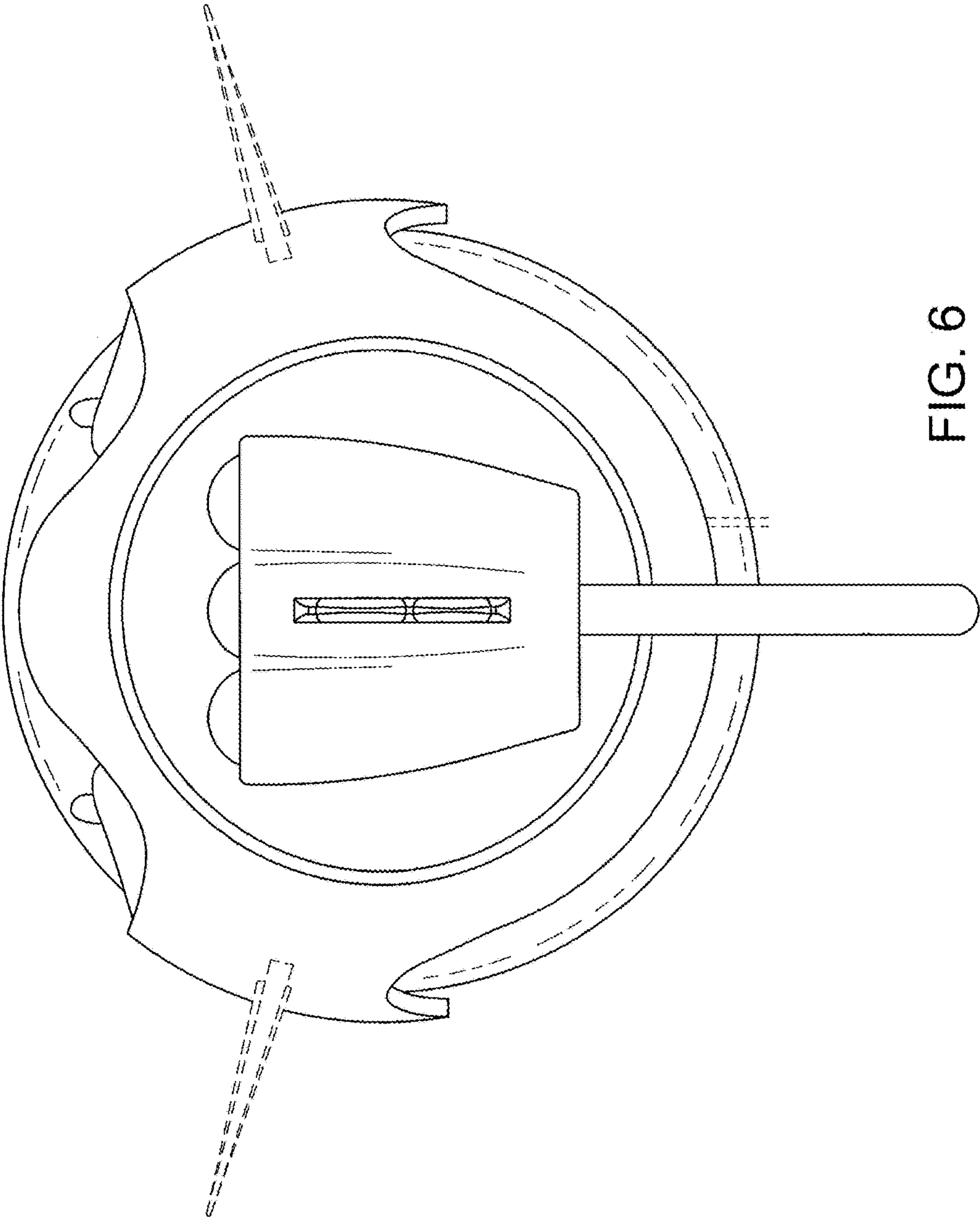


FIG. 6

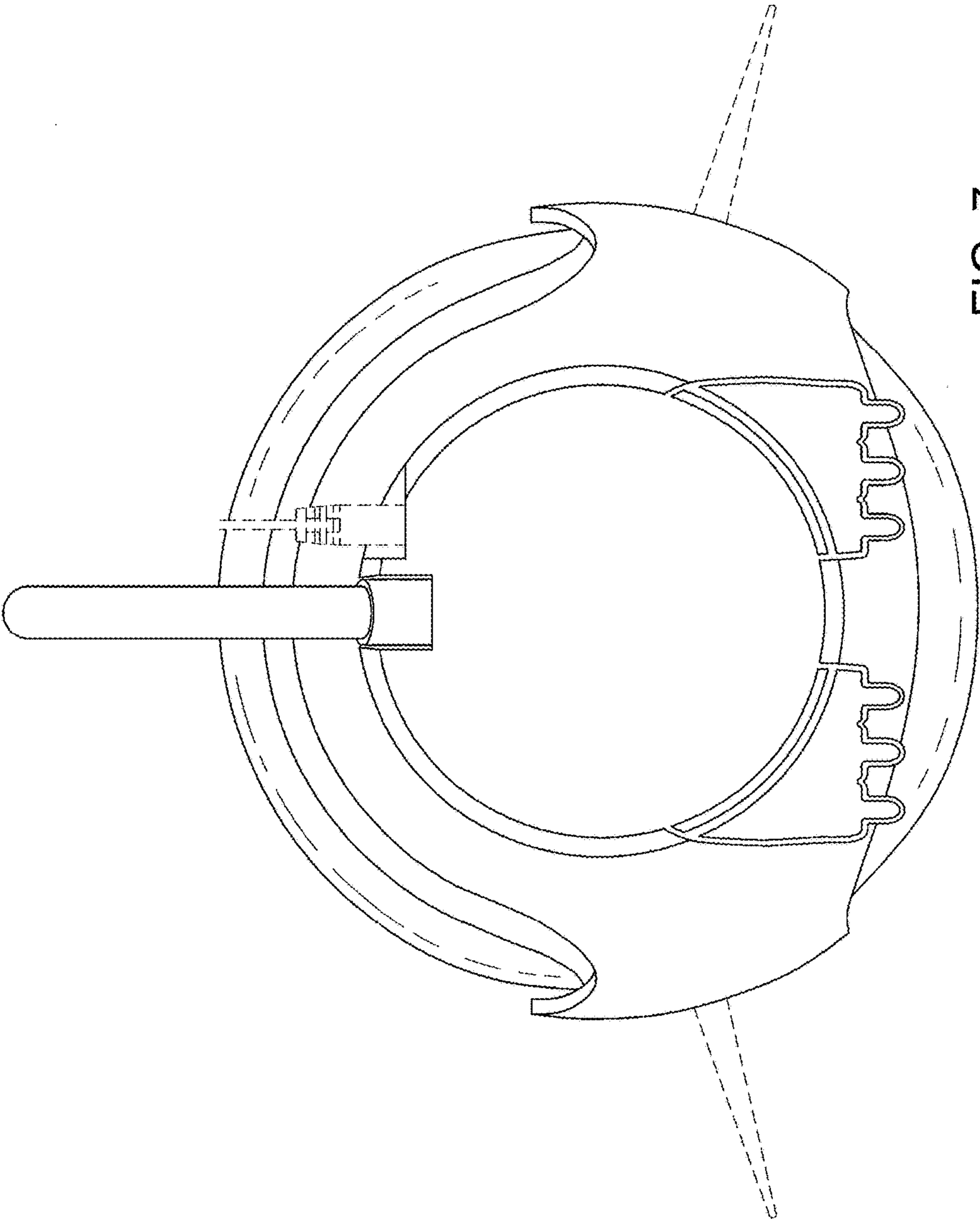


FIG. 7