



US00D813464S

(12) **United States Design Patent** (10) **Patent No.:** **US D813,464 S**
Echeverri et al. (45) **Date of Patent:** **** Mar. 20, 2018**

(54) **BODY SUPPORT**

(71) Applicant: **3M INNOVATIVE PROPERTIES COMPANY**, St. Paul, MN (US)

(72) Inventors: **Nicolas A. Echeverri**, Woodbury, MN (US); **Scott D. Erickson**, Plymouth, MN (US); **Dominic J. Julian**, Woodbury, MN (US)

(73) Assignee: **3M INNOVATIVE PROPERTIES COMPANY**, St. Paul, MN (US)

(**) Term: **15 Years**

(21) Appl. No.: **29/587,859**

(22) Filed: **Dec. 15, 2016**

(51) **LOC (11) Cl.** **29-02**

(52) **U.S. Cl.**
USPC **D29/121.1**

(58) **Field of Classification Search**
USPC D29/10, 11, 100, 101.5, 122, 121.1;
D2/711, 713; 128/95.1, 96.1, 98.1, 846,
128/891; 602/67, 72, 73, 96, 108, 114;
2/2, 455; 450/38, 228, 267, 403, 405;
623/7; 604/352, 353, 395
CPC A41D 13/05; A41D 13/0525; A63B 71/08
See application file for complete search history.

(56) **References Cited**

U.S. PATENT DOCUMENTS

5,594,954 A *	1/1997	Huang	A41D 13/065
				2/16
5,925,010 A	7/1999	Caprio, Jr.		
D594,160 S *	6/2009	Worden	D29/121.1
D594,161 S *	6/2009	Worden	D29/121.1
D733,365 S *	6/2015	Hassler	D29/121.1

* cited by examiner

Primary Examiner — Randall H Gholson

(74) *Attorney, Agent, or Firm* — Irina Hass

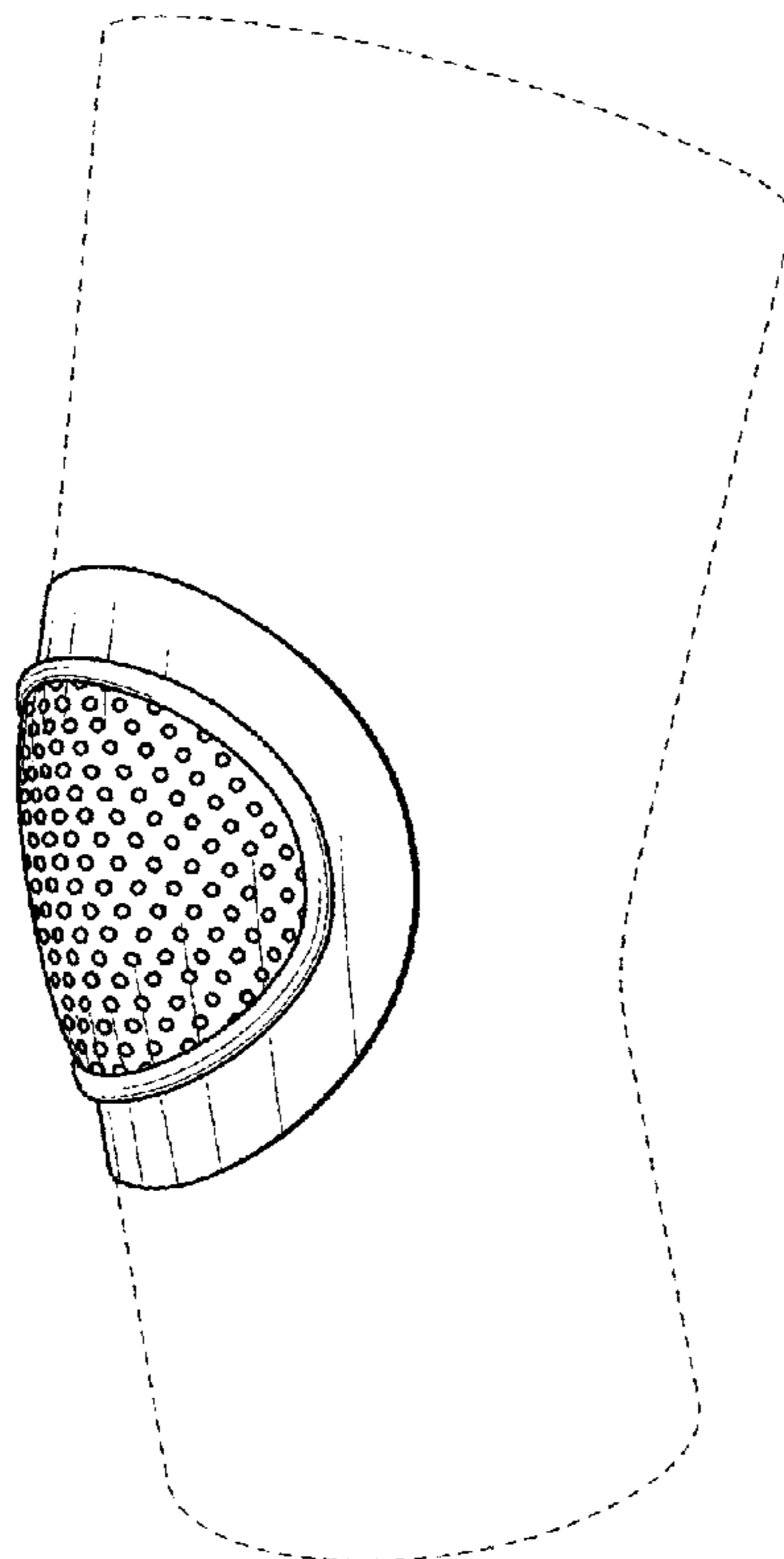
(57) **CLAIM**

The ornamental design for a body support, as shown and described.

DESCRIPTION

FIG. 1 is a perspective view showing the new design for a body support;
FIG. 2 is a front view thereof;
FIG. 3 is a rear view thereof;
FIG. 4 is a left side view thereof;
FIG. 5 is a right side view thereof;
FIG. 6 is a top view thereof; and,
FIG. 7 is a bottom view thereof.
The portions of the body support in FIGS. 1-7 shown in broken lines are included to show features that form no part of the claimed design.

1 Claim, 4 Drawing Sheets



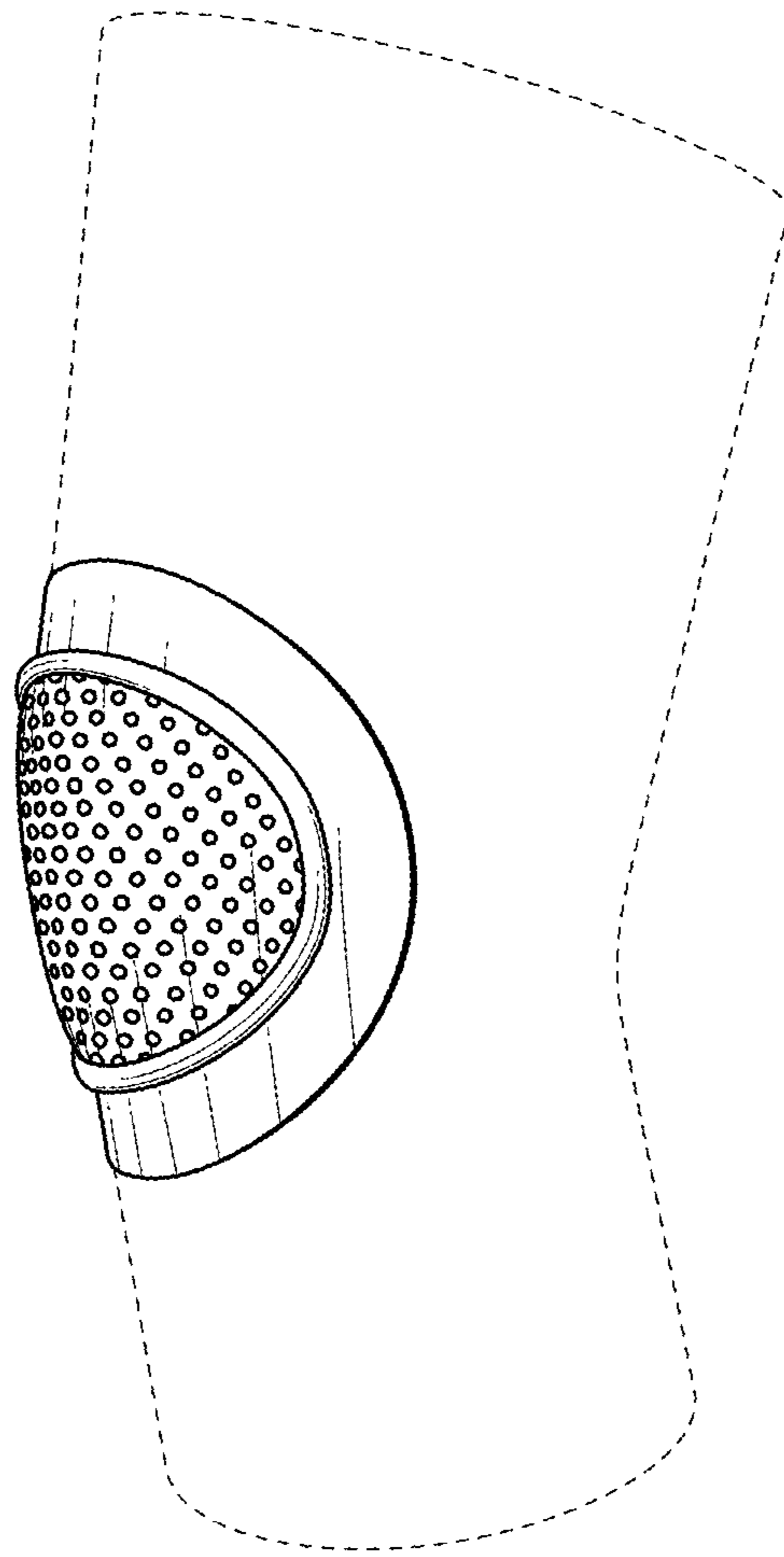


FIG. 1

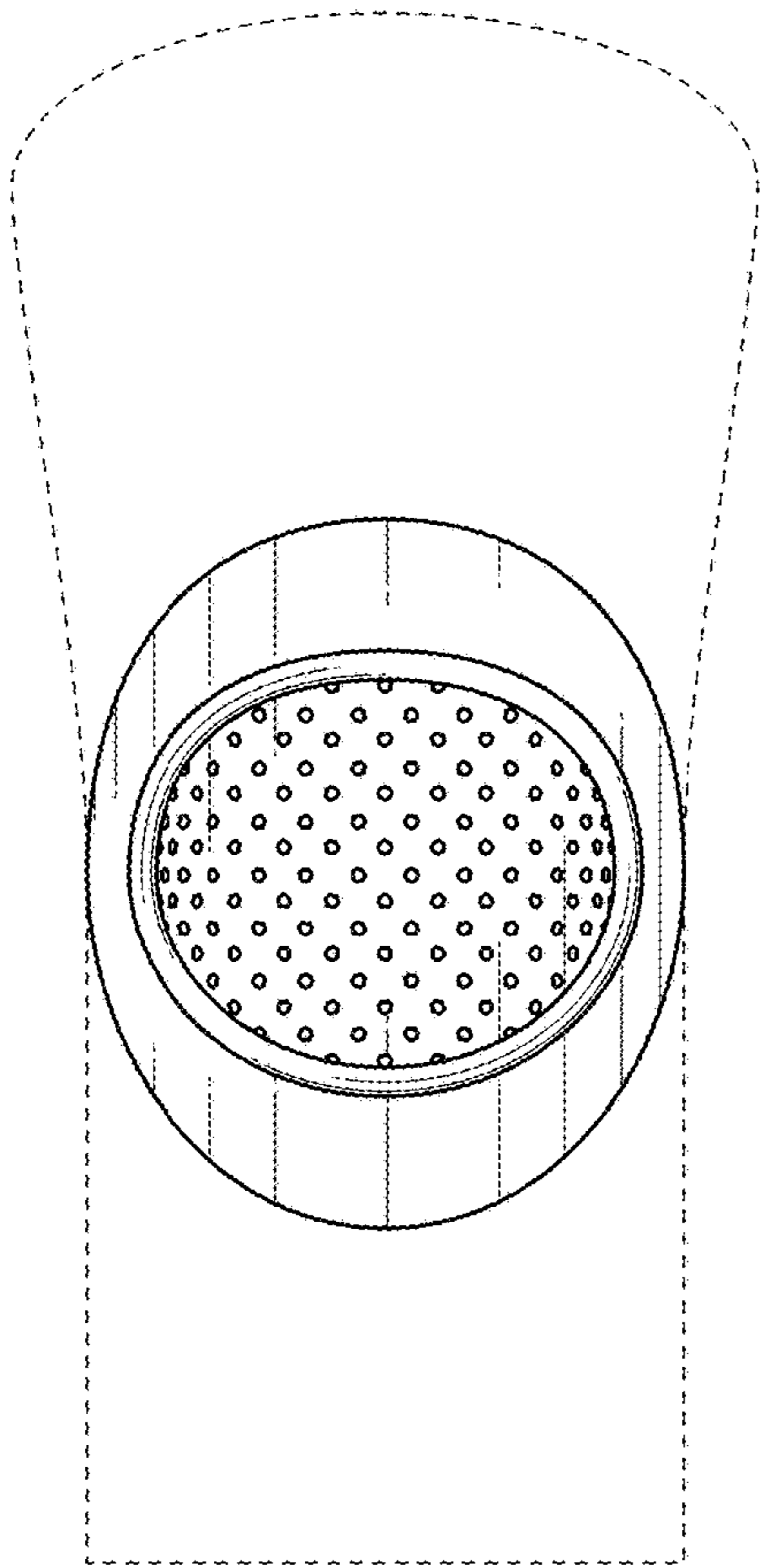


FIG. 2

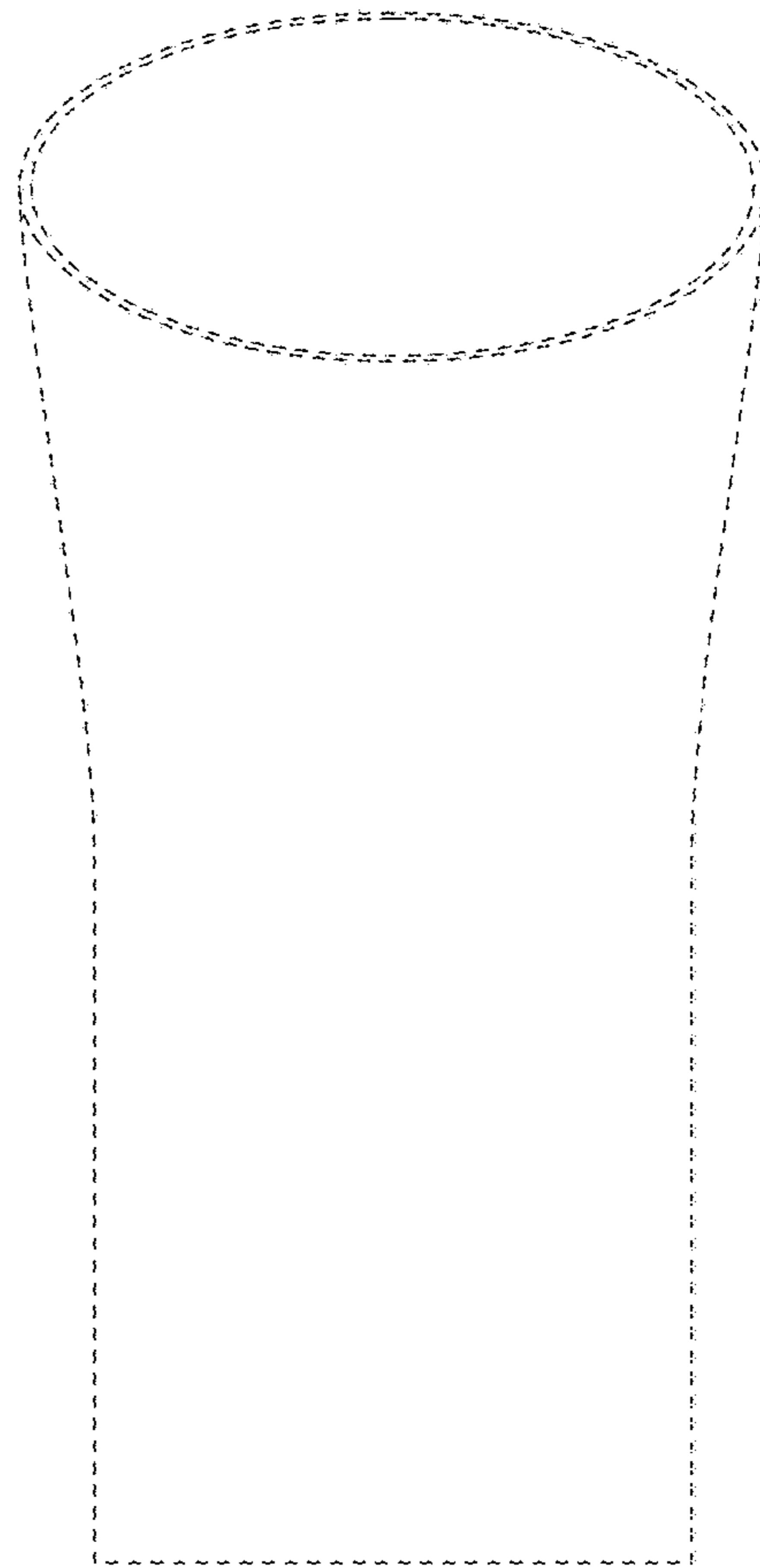


FIG. 3

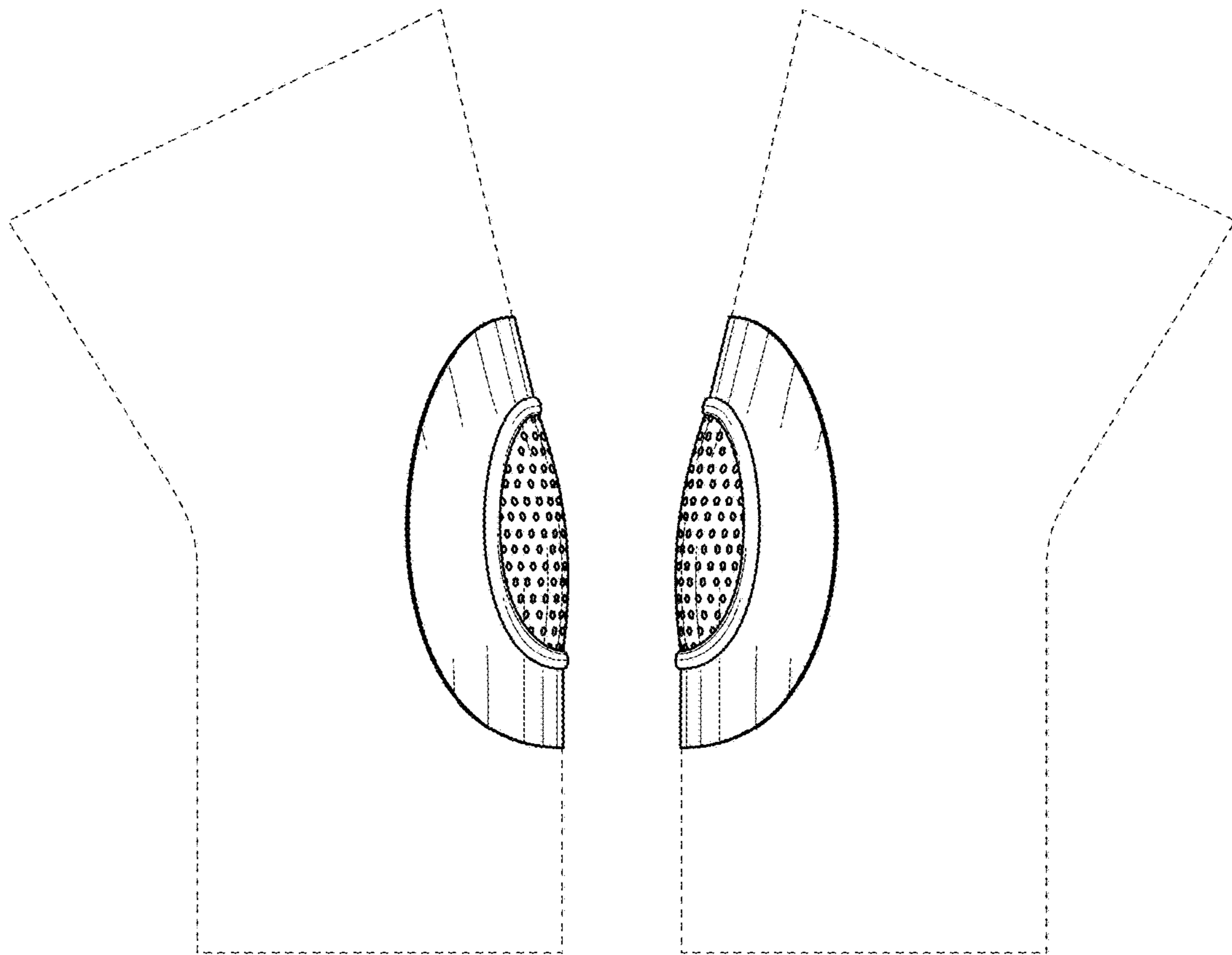


FIG. 4

FIG. 5

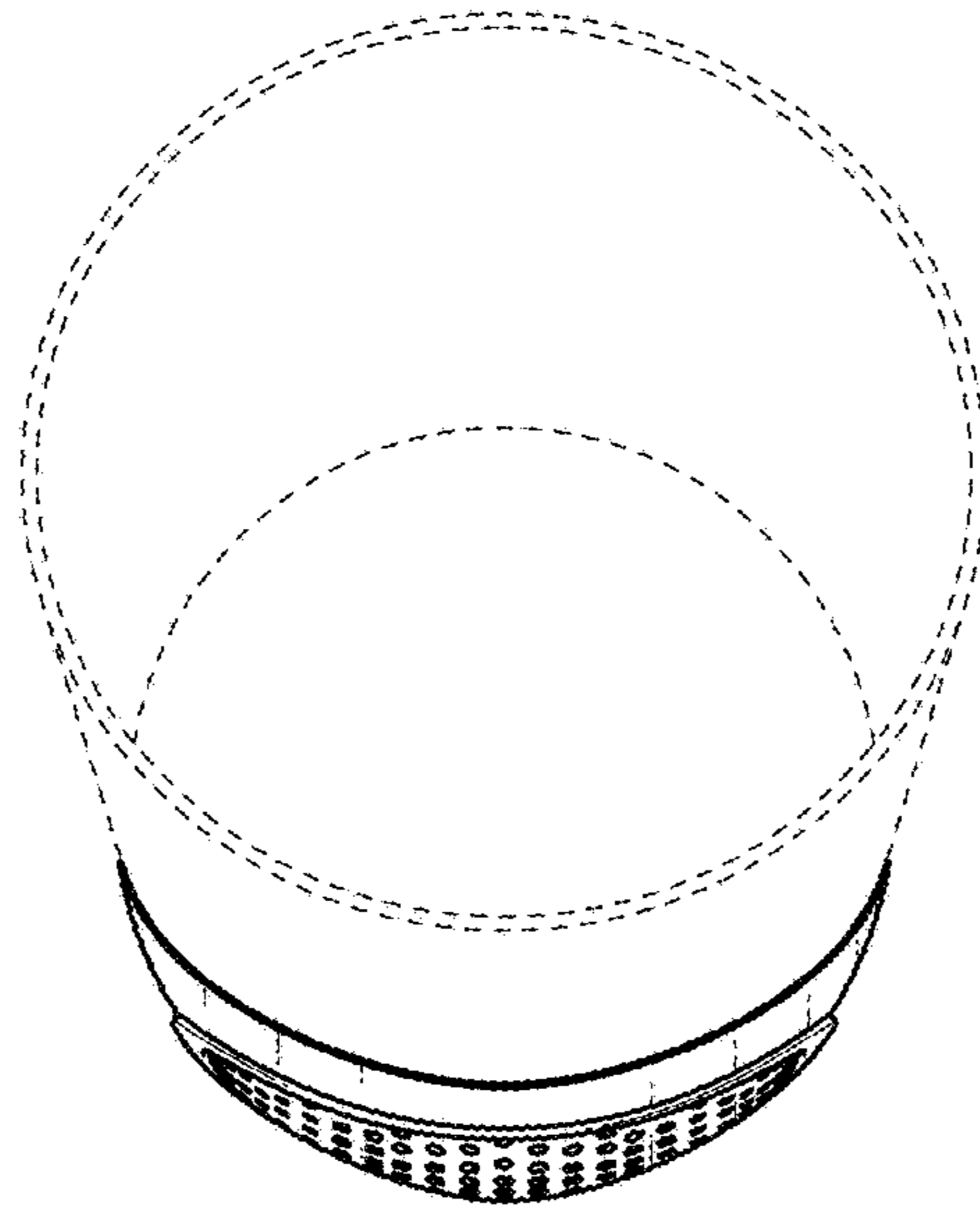


FIG. 6

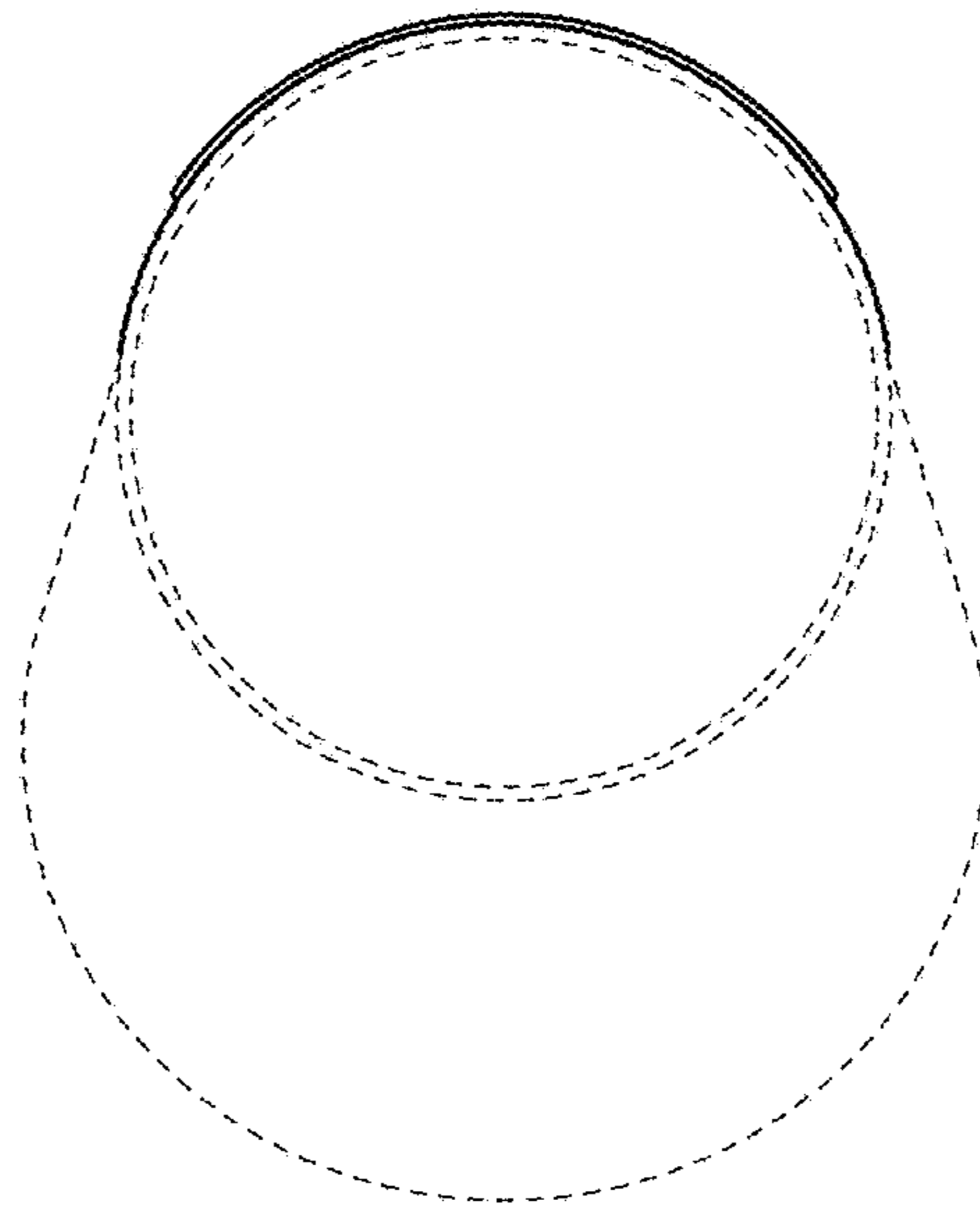


FIG. 7