



US00D813462S

(12) **United States Design Patent**
Axelsson et al.

(10) **Patent No.:** **US D813,462 S**
(45) **Date of Patent:** **** Mar. 20, 2018**

- (54) **SAFETY HELMET**
- (71) Applicant: **3M INNOVATIVE PROPERTIES COMPANY**, St. Paul, MN (US)
- (72) Inventors: **Peter L. Axelsson**, Borlänge (SE);
Pernilla M. Nolåkers, Falun (SE);
Christina E. S. Wester, Hedemora (SE)
- (73) Assignee: **3M Innovative Properties Company**, St. Paul, MN (US)
- (**) Term: **15 Years**
- (21) Appl. No.: **29/569,467**
- (22) Filed: **Jun. 28, 2016**
- (51) **LOC (11) Cl.** **09-03**
- (52) **U.S. Cl.**
USPC **D29/107**
- (58) **Field of Classification Search**
USPC D29/102-107, 122, 110
CPC A63B 71/10; A42B 3/166; A42B 3/222;
A42B 3/228; A42B 3/32; A42B 3/00;
A42B 3/322; A61F 9/06
See application file for complete search history.

- 8,438,663 B2 * 5/2013 Wright A61F 9/064
2/8.2
- D690,882 S * 10/2013 Nowikow D29/107
- D707,894 S * 6/2014 Mehra D29/105
- 8,826,464 B2 * 9/2014 Wu A61F 9/06
2/8.2
- D774,702 S * 12/2016 Brose D29/110

OTHER PUBLICATIONS

Stihl Construction Hard Hat System web page obtained from the internet on Aug. 29, 2016 from <https://www.stihlusa.com/products/protective-and-work-wear/head-and-face-protection/schhs/>.

* cited by examiner

Primary Examiner — Ruth McInroy

(56) **References Cited**

U.S. PATENT DOCUMENTS

- D267,207 S * 12/1982 Hilton D29/110
- D353,691 S * 12/1994 Scanlon D29/110
- D418,256 S * 12/1999 Caruana D29/110
- D446,887 S * 8/2001 Young D29/107
- 6,352,383 B1 * 3/2002 Ristola A42B 3/04
2/10
- 6,609,913 B1 * 8/2003 Batts A42B 1/004
2/5
- D657,918 S * 4/2012 Lee D29/110

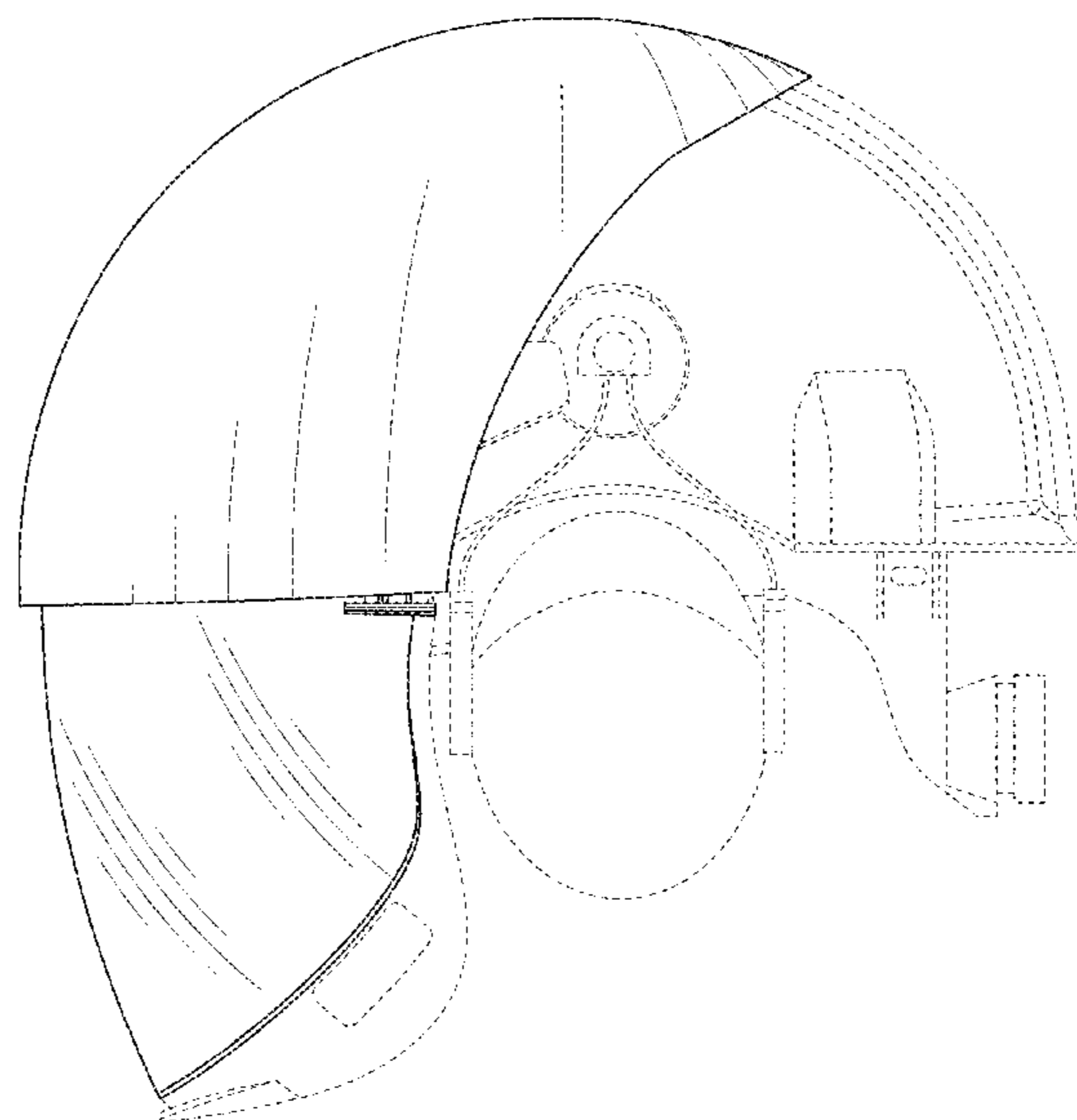
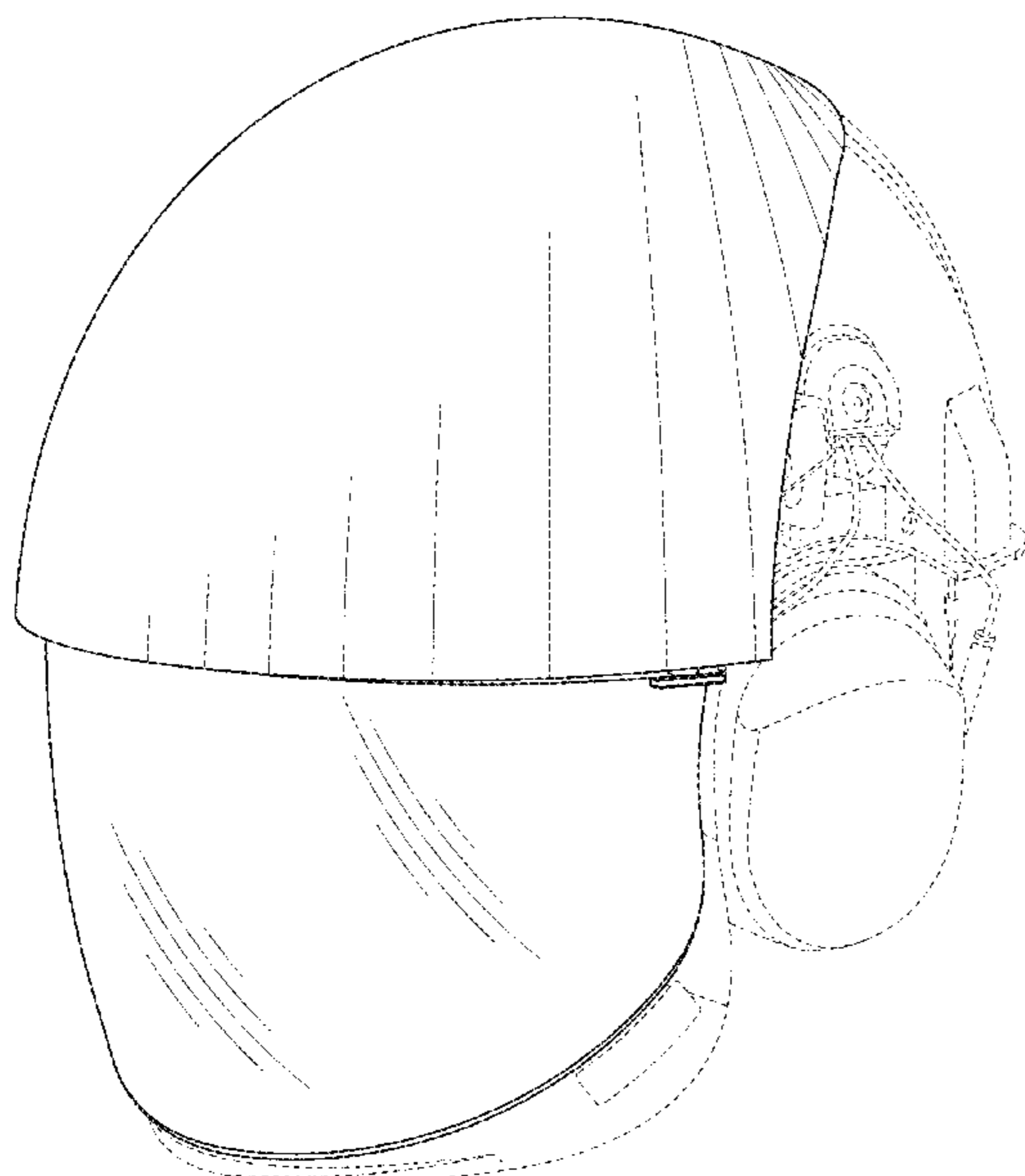
(57) **CLAIM**

The ornamental design for a safety helmet, as shown and described.

DESCRIPTION

FIG. 1 is a perspective view showing the new design for a helmet;
FIG. 2 is a front view thereof;
FIG. 3 is a rear view thereof;
FIG. 4 is a side view thereof;
FIG. 5 is a side view thereof;
FIG. 6 is a top view thereof; and,
FIG. 7 is a bottom view thereof.
Portions of the drawings shown in broken lines do not form an essential part of the design.

1 Claim, 7 Drawing Sheets



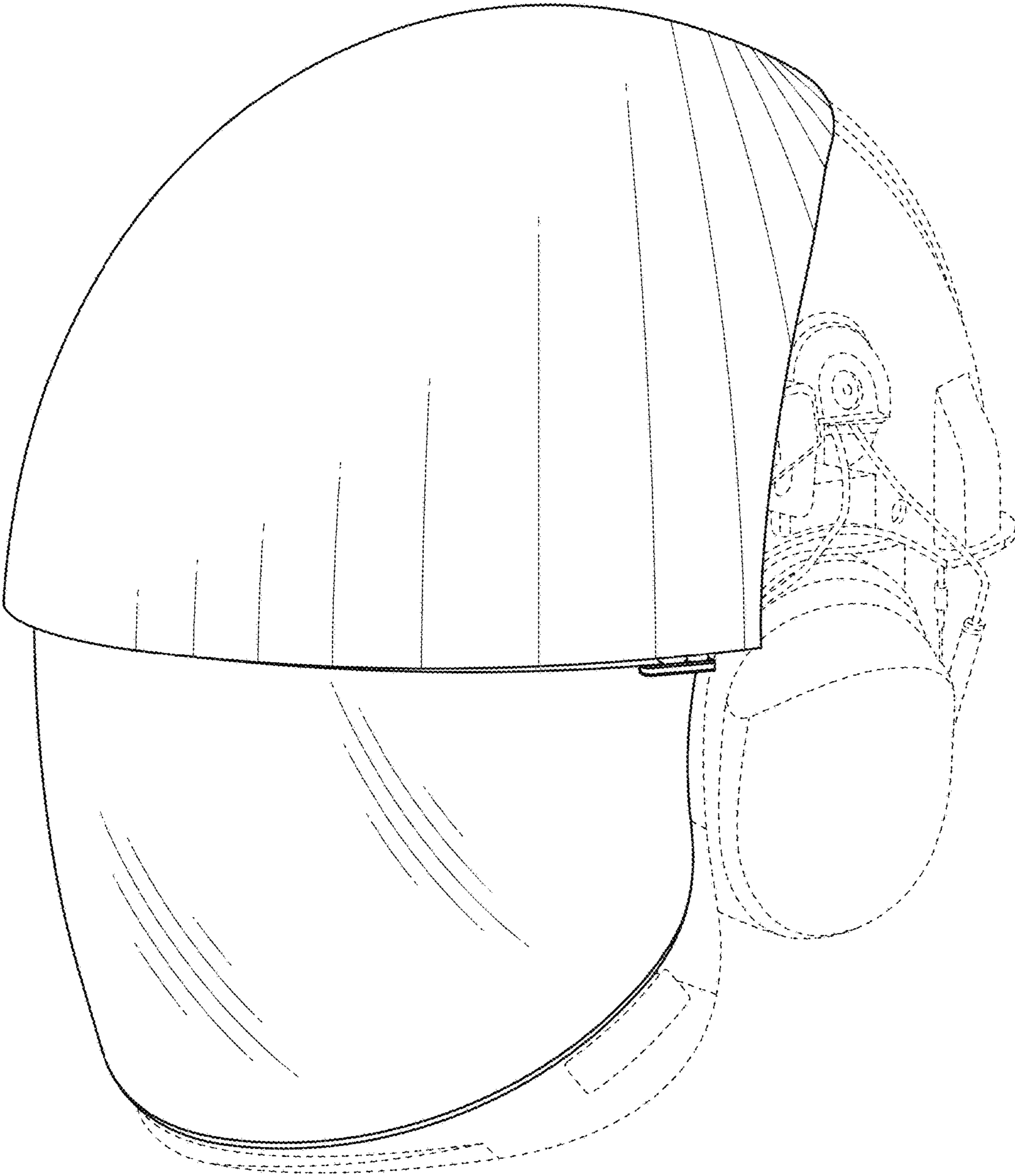


FIG. 1

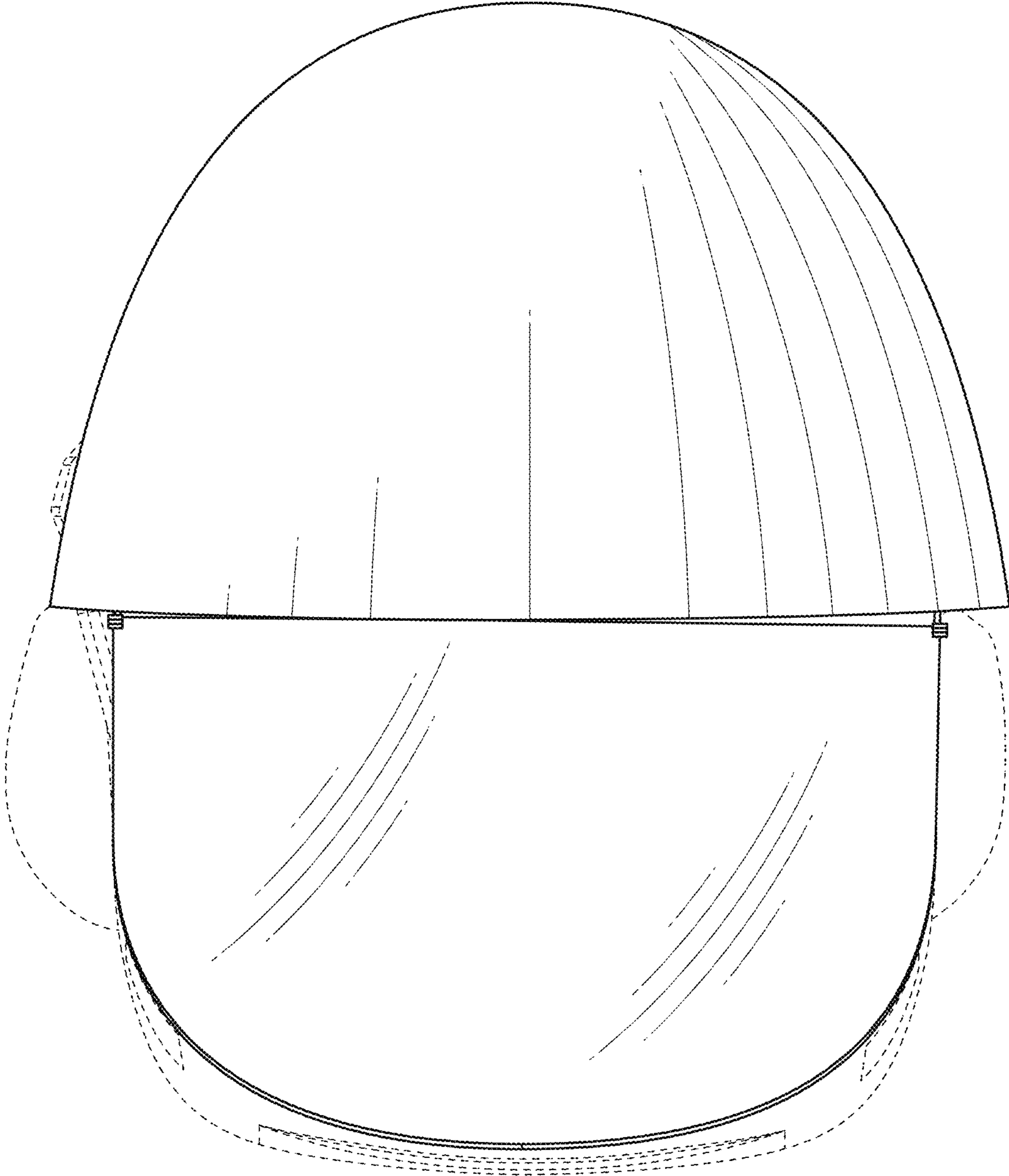


FIG. 2

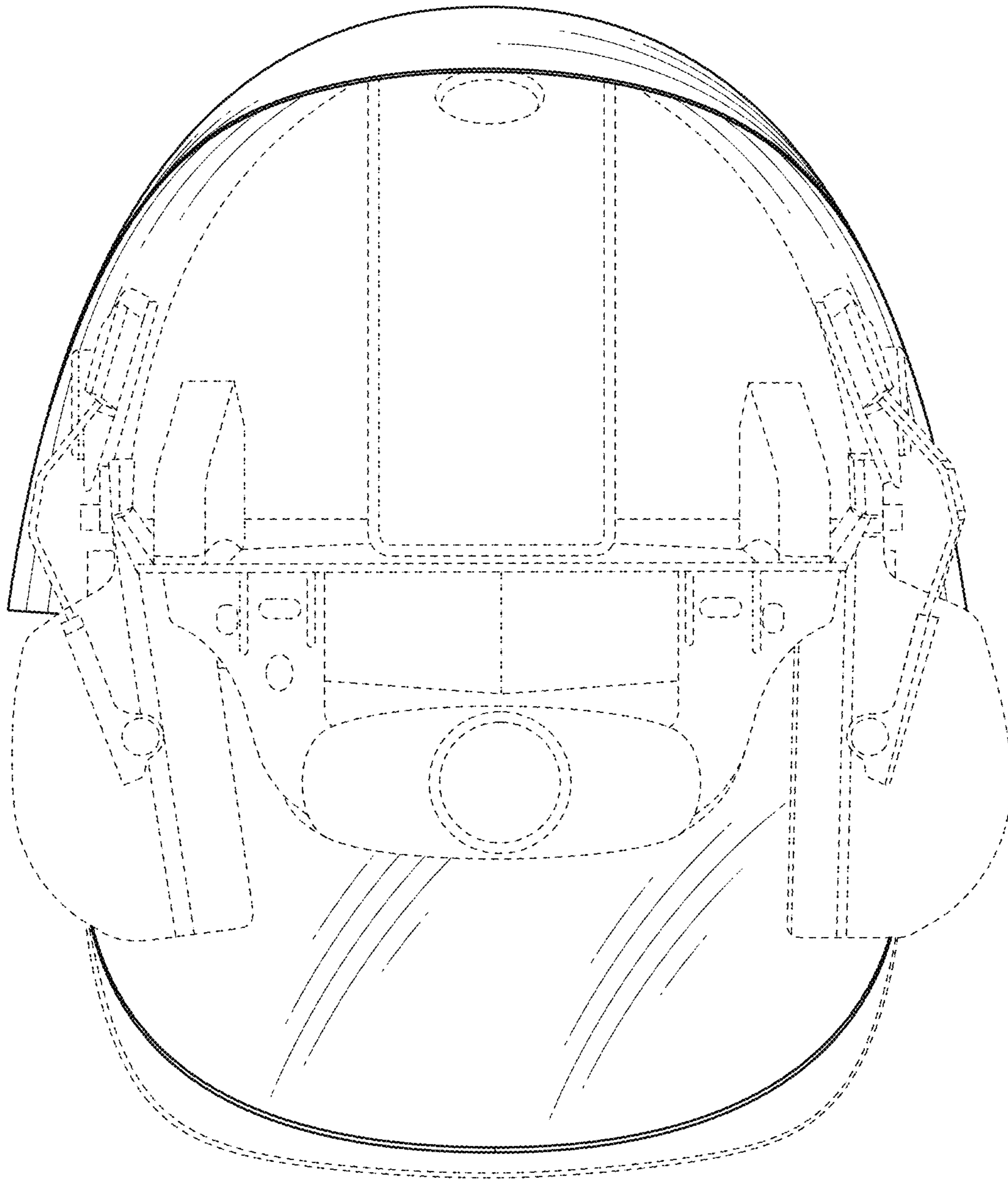


FIG. 3

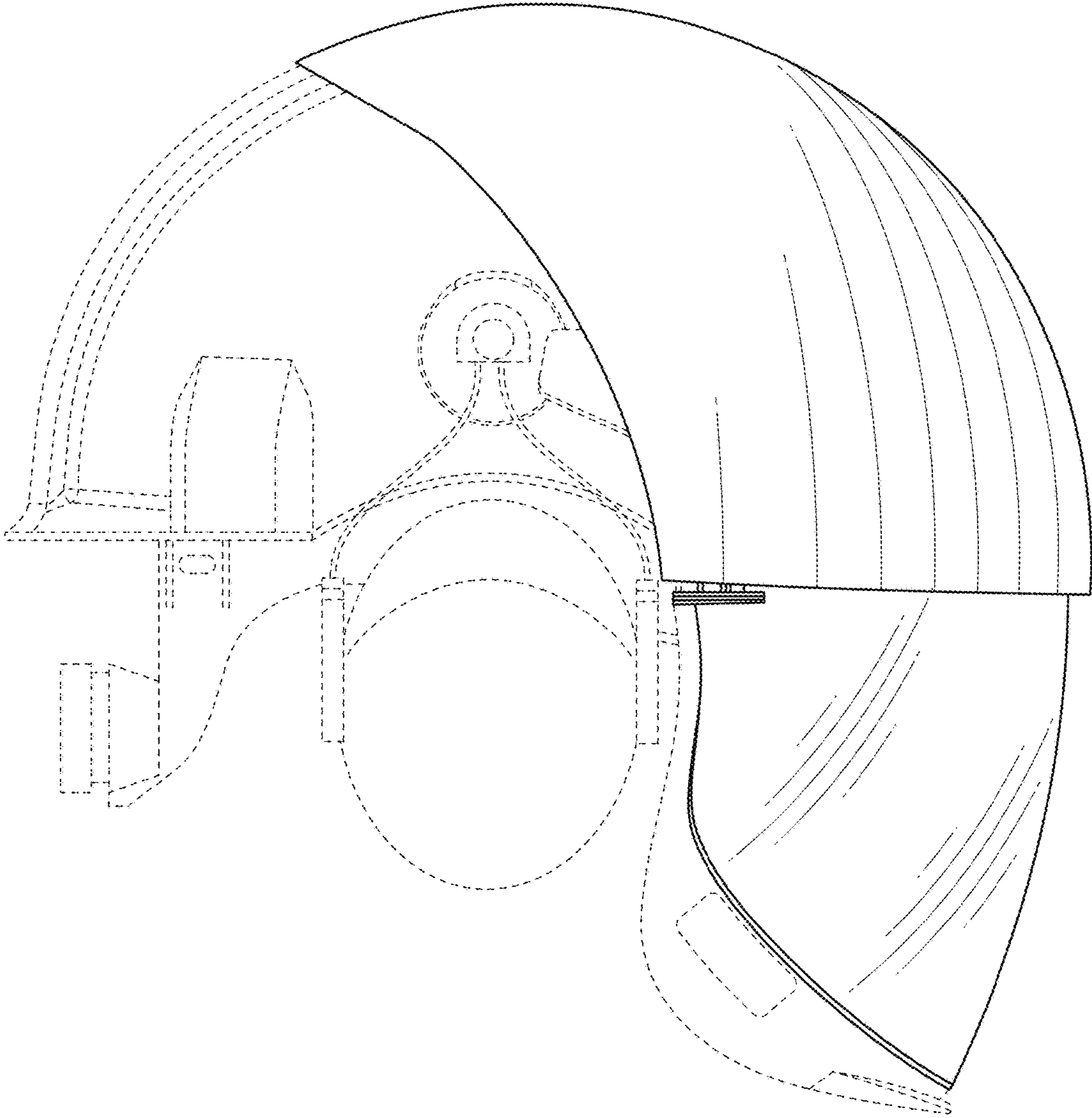


FIG. 4

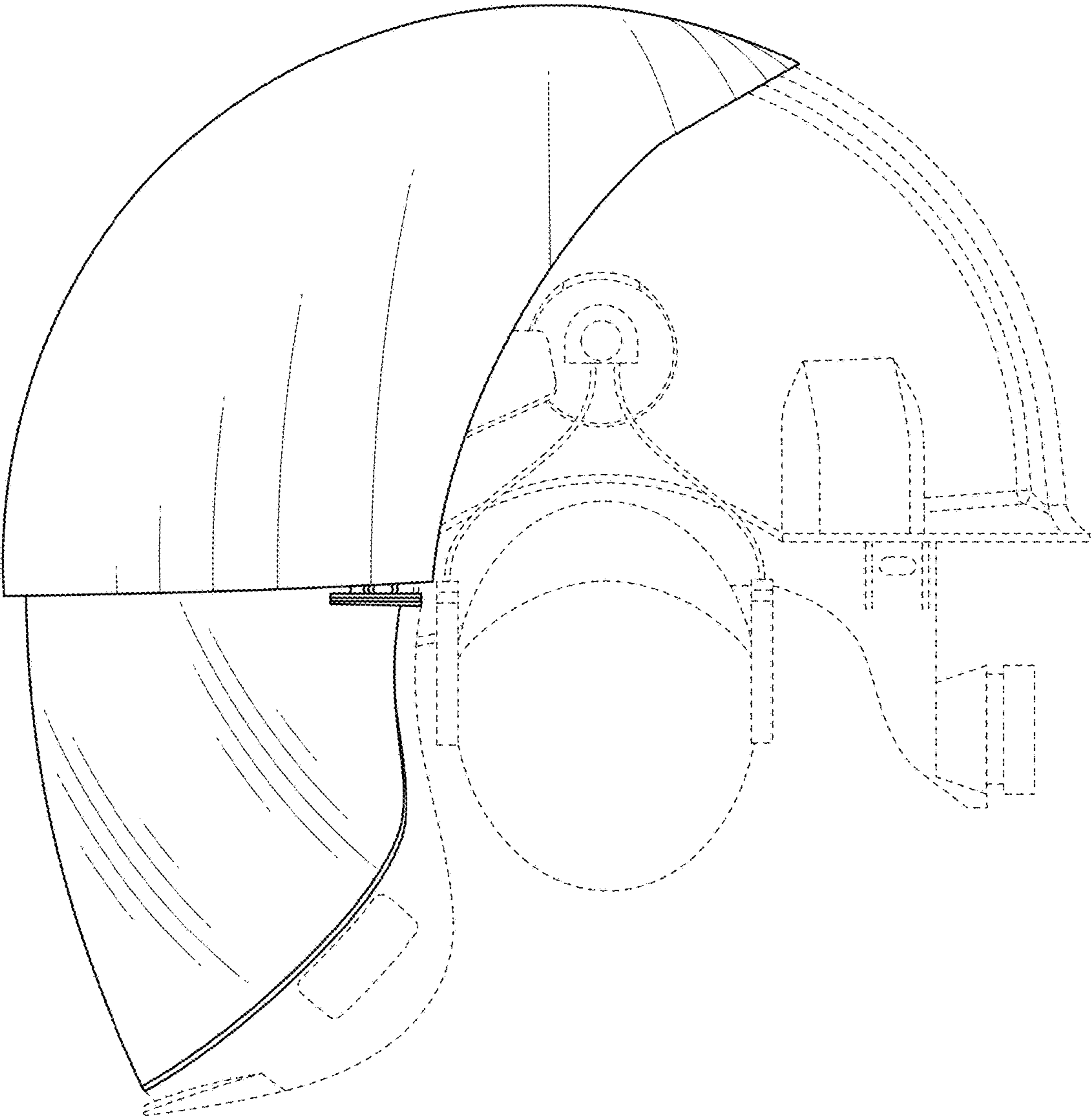


FIG. 5

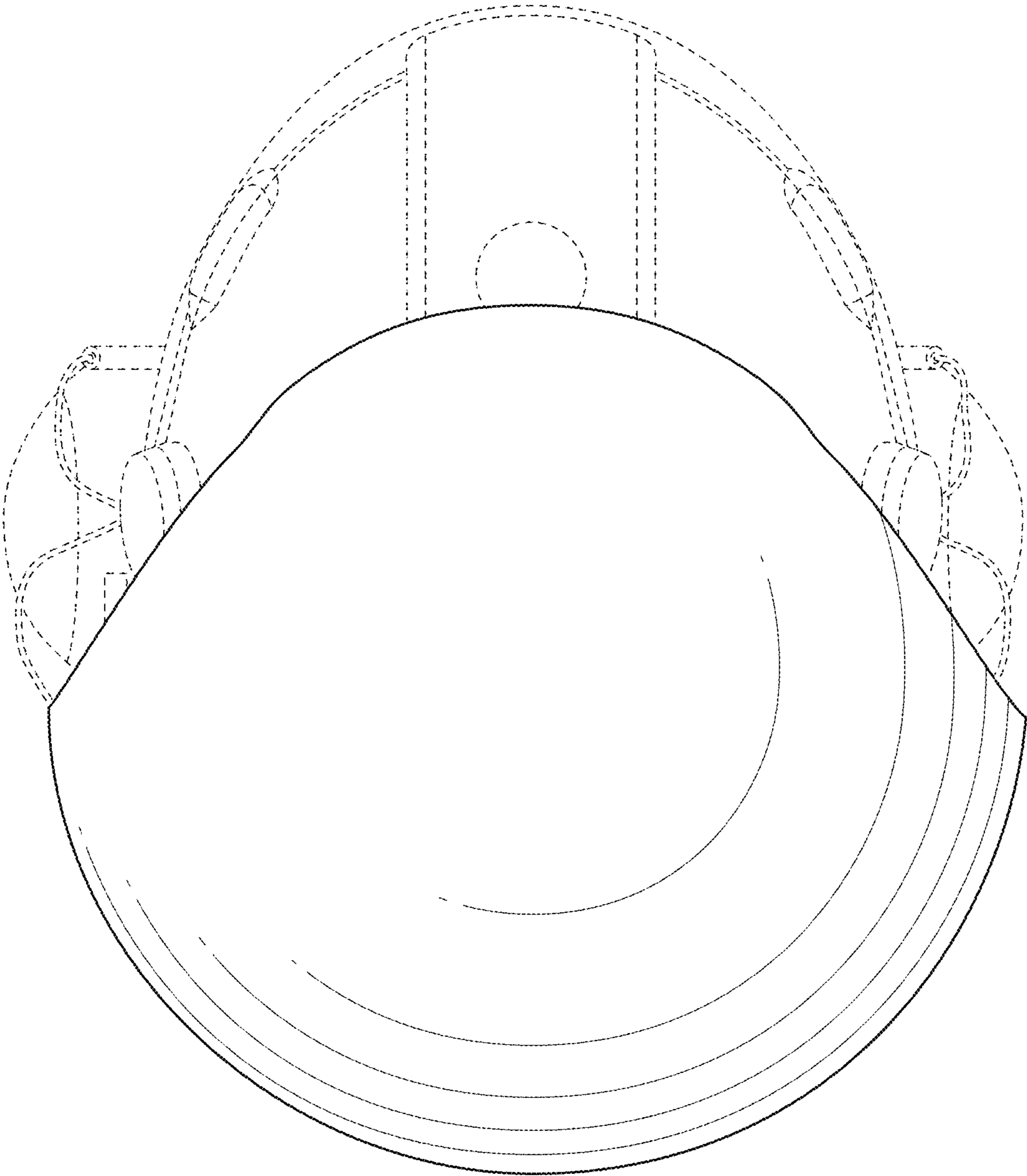


FIG. 6

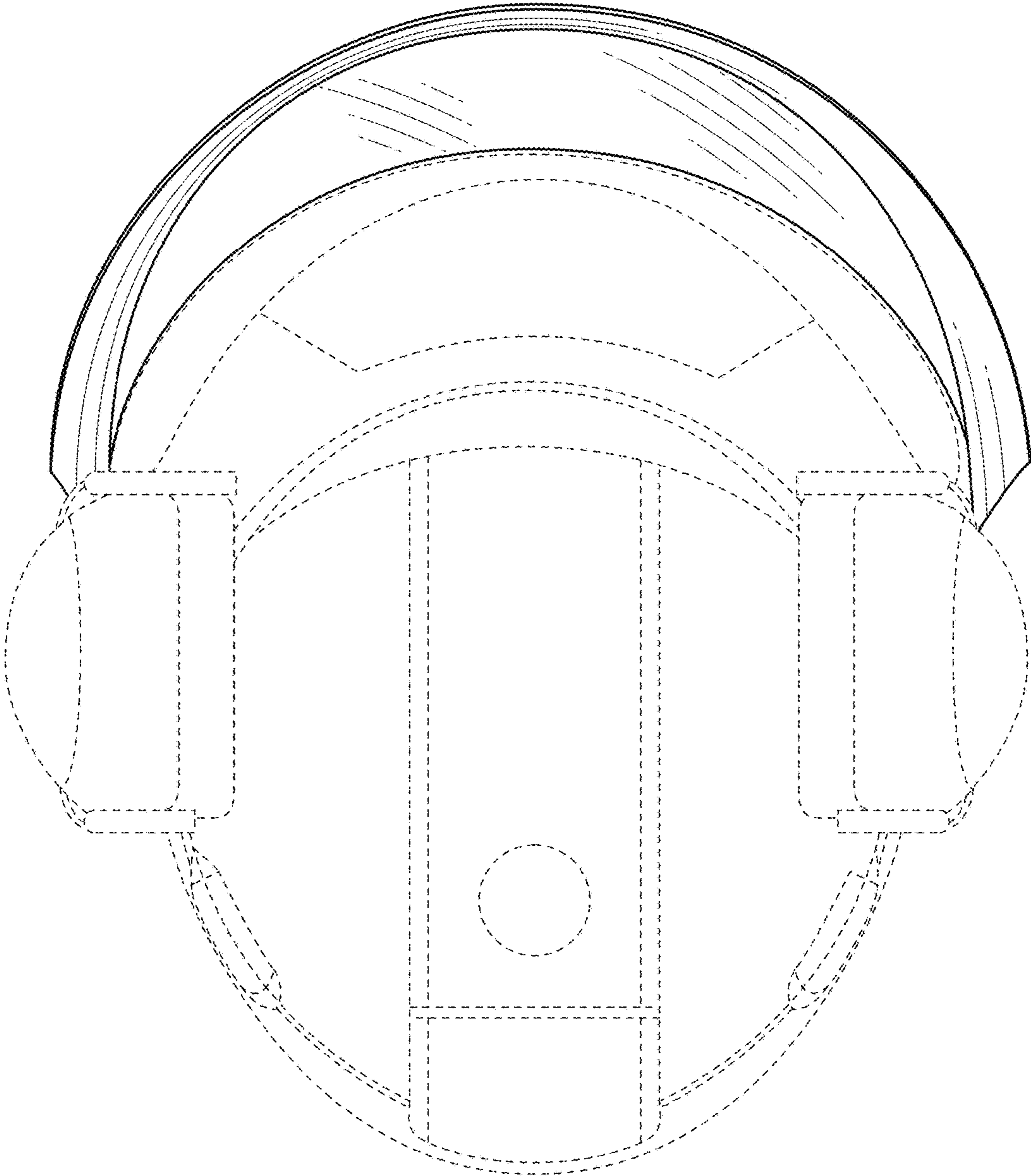


FIG. 7