



US00D813460S

(12) **United States Design Patent**
Ishida

(10) **Patent No.:** **US D813,460 S**
(45) **Date of Patent:** **** Mar. 20, 2018**

(54) **NAIL CLIPPER**

(71) Applicant: **GREEN BELL CO., LTD.**, Osaka (JP)

(72) Inventor: **Itsuto Ishida**, Osaka (JP)

(73) Assignee: **Green Bell Co., Ltd.**, Osaka (JP)

(**) Term: **15 Years**

(21) Appl. No.: **29/570,170**

(22) Filed: **Jul. 6, 2016**

(51) **LOC (11) Cl.** **28-03**

(52) **U.S. Cl.**
USPC **D28/60**

(58) **Field of Classification Search**

USPC D28/10, 33, 35, 36, 37, 38, 55, 56, 57,
D28/60, 61, 59; 132/221, 224, 225, 245,
132/255, 211, 269, 169, 222, 223, 73,
132/73.5, 73.6, 75.5, 76.2; 219/255, 222;
30/26, 124

CPC ... A45D 1/00; A45D 1/02; A45D 1/04; A45D
1/08; A45D 1/10; A45D 1/12; A45D
1/14; A45D 1/16; A45D 2/001; A45D
29/02; A45D 29/04; A45D 29/12; A45D
29/17; A45D 29/023; A45D 2029/026

See application file for complete search history.

(56) **References Cited**

U.S. PATENT DOCUMENTS

1,702,137 A * 2/1929 Schnefel A45D 29/02
30/28
3,013,334 A * 12/1961 Bassett A45D 29/023
30/28

(Continued)

FOREIGN PATENT DOCUMENTS

CN 303146174 * 3/2015
JP D1437680 * 4/2012

OTHER PUBLICATIONS

Takumi No Waza Nail Clipper, Green Bell, posted at youtube.com,
published Jan. 20, 2016, © Standard YouTube License, online, site

visited May 23, 2017. Available from Internet, <URL: https://www.youtube.com/watch?v=vv3rsm8_qow>.*

Primary Examiner — Lakiya G Rogers

Assistant Examiner — Altaira J Swangin

(74) *Attorney, Agent, or Firm* — Heslin Rothenberg
Farley & Mesiti P.C.

(57) **CLAIM**

The ornamental design for a nail clipper, as shown and described.

DESCRIPTION

FIG. 1 is a front elevation view of the nail clipper of the present design, the rear elevation view being a mirror image thereof;

FIG. 2 is a top plan view thereof;

FIG. 3 is a bottom plan view thereof;

FIG. 4 is a right side elevation view thereof;

FIG. 5 is a left side elevation view thereof;

FIG. 6 is a bottom plan view of the lever;

FIG. 7 is a top plan view with the lever removed;

FIG. 8 is a section view thereof taken along 8-8 lines of FIG. 1;

FIG. 9 is a section view thereof taken along 9-9 lines of FIG. 1;

FIG. 10 is a section view thereof taken along 10-10 lines of FIG. 1;

FIG. 11 is a section view thereof taken along 11-11 lines of FIG. 1;

FIG. 12 is a section view thereof taken along 12-12 lines of FIG. 2;

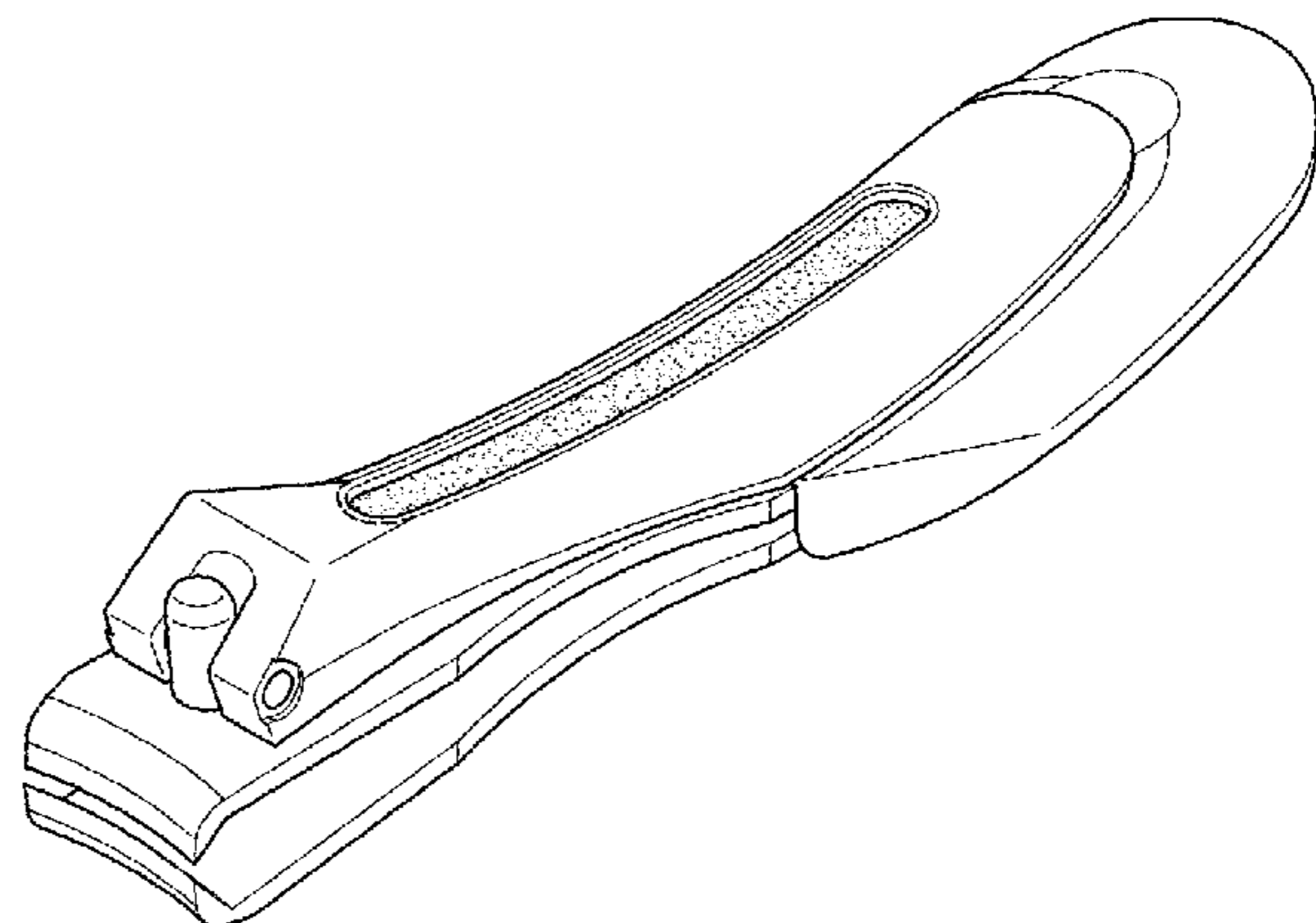
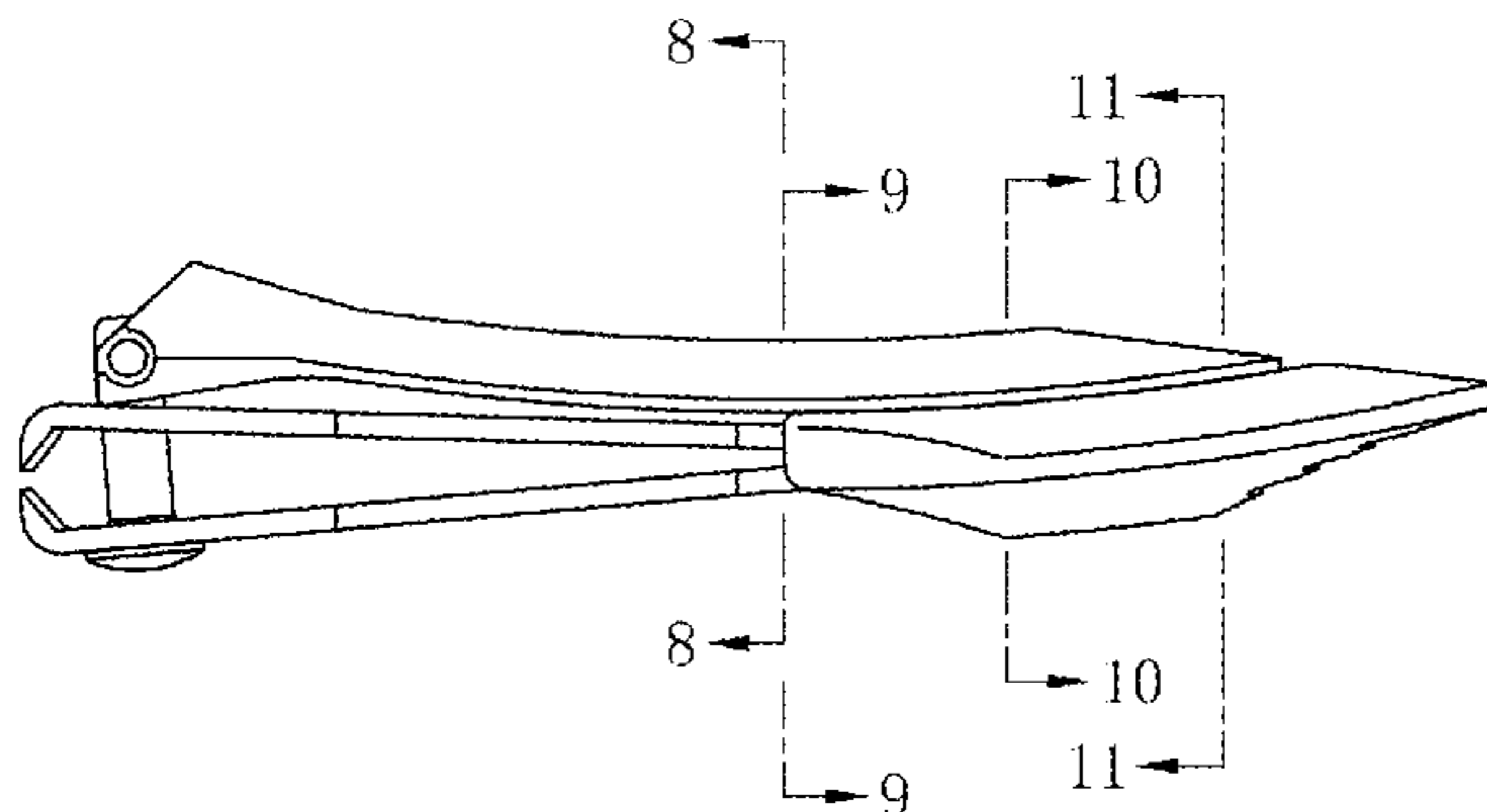
FIG. 13 is a perspective view thereof; and,

FIG. 14 is a reference perspective view in use thereof.

The nail clipper has a nail file within and exposed through the top opening in the lever.

The portion of the nail clipper shown in broken lines forms no part of the claimed design.

1 Claim, 7 Drawing Sheets



(56)

References Cited

U.S. PATENT DOCUMENTS

3,093,147 A * 6/1963 Bassett A45D 29/02
132/75.5
3,093,898 A * 6/1963 Smith A45D 29/02
30/28
3,188,737 A * 6/1965 Chase A45D 29/023
132/73
3,937,234 A * 2/1976 Loda A45D 29/02
132/75.6
3,986,257 A * 10/1976 Kiura A45D 29/023
132/73
4,380,120 A * 4/1983 Hannon A45D 29/023
30/28
4,574,475 A * 3/1986 Lee A45D 29/023
30/125
4,984,366 A * 1/1991 Powers A45D 29/023
132/75
5,063,666 A * 11/1991 Tsay A45D 29/02
132/75.5
5,072,511 A * 12/1991 Ro A45D 29/023
132/75
5,226,849 A * 7/1993 Johnson A45D 26/0066
132/73
D413,412 S * 8/1999 Chiu D28/60
D430,955 S * 9/2000 Ishida D28/36
D437,458 S * 2/2001 Kim D28/60
D498,333 S * 11/2004 Di Bitonto D28/60
6,904,683 B2 * 6/2005 Shinoda A45D 29/02
132/75.5
D516,249 S * 2/2006 Merheje D28/60

D516,250 S * 2/2006 Merheje D28/60
D517,731 S * 3/2006 Legras de Grandcourt .. D28/59
D522,177 S * 5/2006 Legras de Grandcourt .. D28/60
7,062,855 B2 * 6/2006 Merheje A45D 29/02
132/75.5
D551,390 S * 9/2007 Hwang D28/60
D581,098 S * 11/2008 Fiene D28/60
D586,045 S * 2/2009 Goddert D28/60
D597,255 S * 7/2009 Wittke-Kothe D28/59
D602,525 S * 10/2009 O'Hern D19/123
D608,948 S * 1/2010 Wittke-Kothe D28/59
D726,373 S * 4/2015 Charroy D28/60
D788,370 S * 5/2017 Cho D28/62
9,693,617 B2 * 7/2017 LaTorre A45D 29/023
2002/0092172 A1 * 7/2002 Park A45D 29/02
30/28
2002/0178585 A1 * 12/2002 Yang A45D 29/02
30/28
2004/0111893 A1 * 6/2004 Han A45D 29/02
30/28
2004/0194795 A1 * 10/2004 Cho A45D 29/02
132/73
2008/0060200 A1 * 3/2008 Cha A45D 29/023
30/28
2008/0313908 A1 * 12/2008 Han A45D 29/023
30/28
2011/0061668 A1 * 3/2011 Saenim A45D 29/023
132/200
2015/0327652 A1 * 11/2015 Dyer A45D 29/20
132/75
2016/0286931 A1 * 10/2016 LaTorre A45D 29/023

* cited by examiner

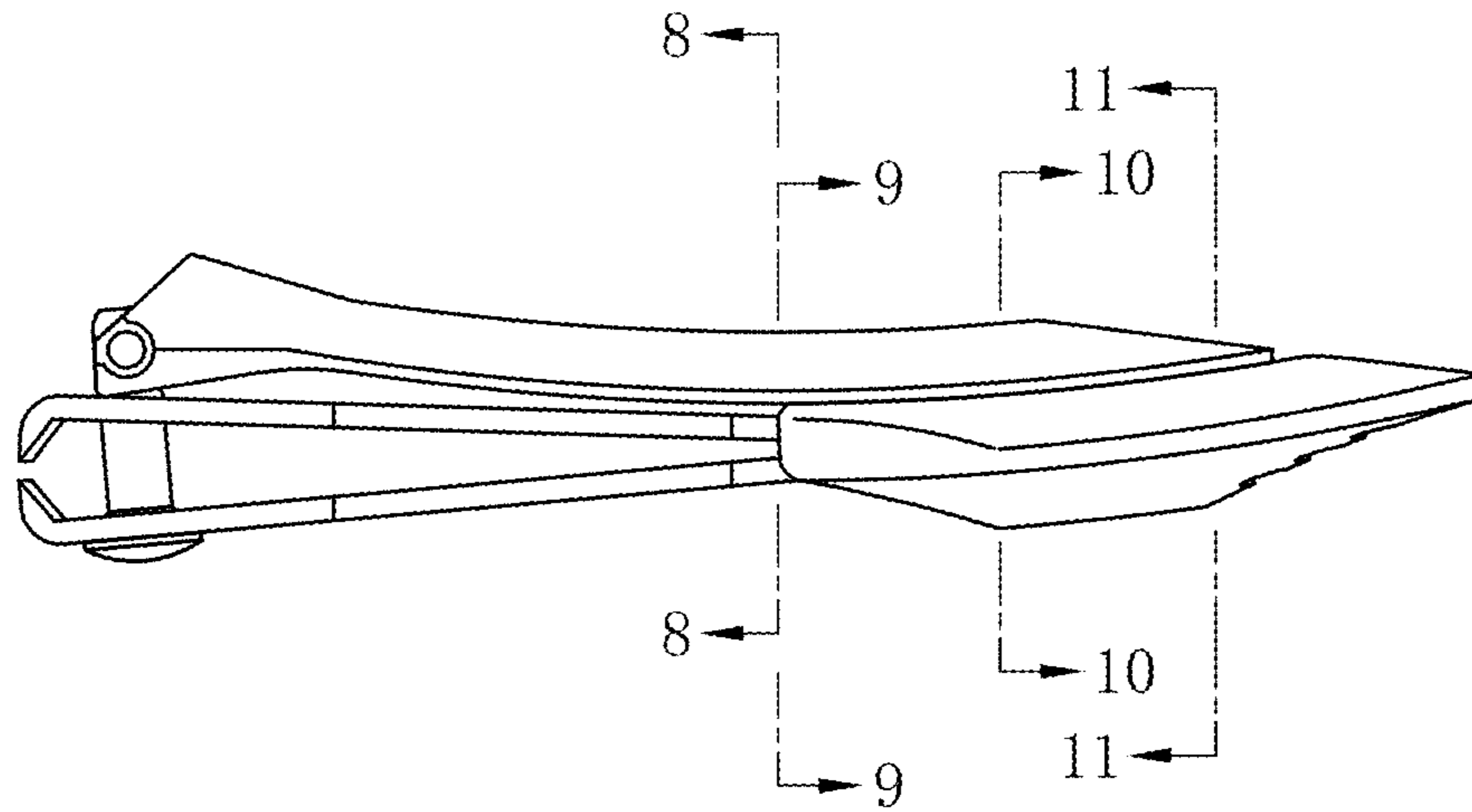


FIG.1

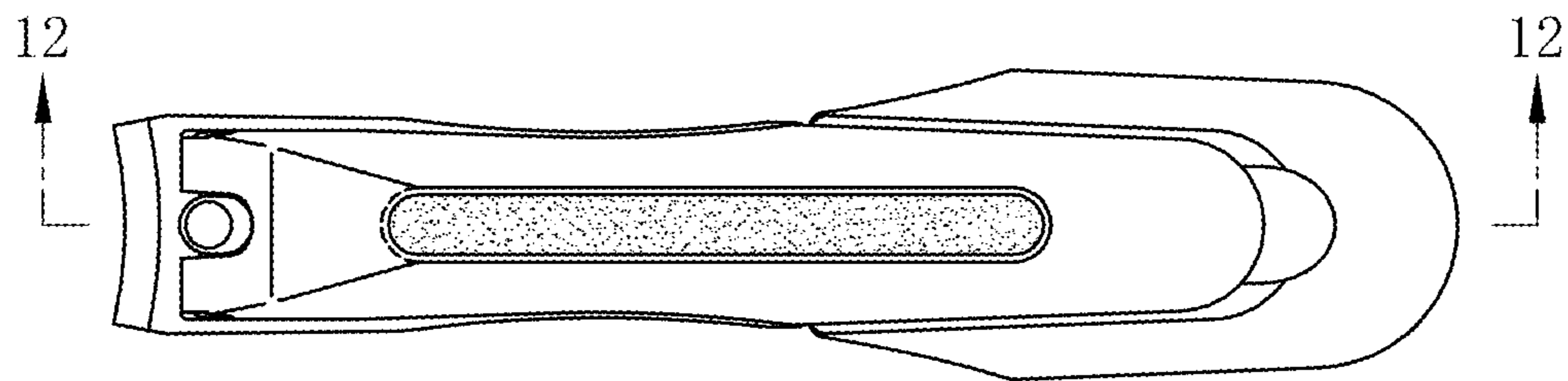


FIG.2

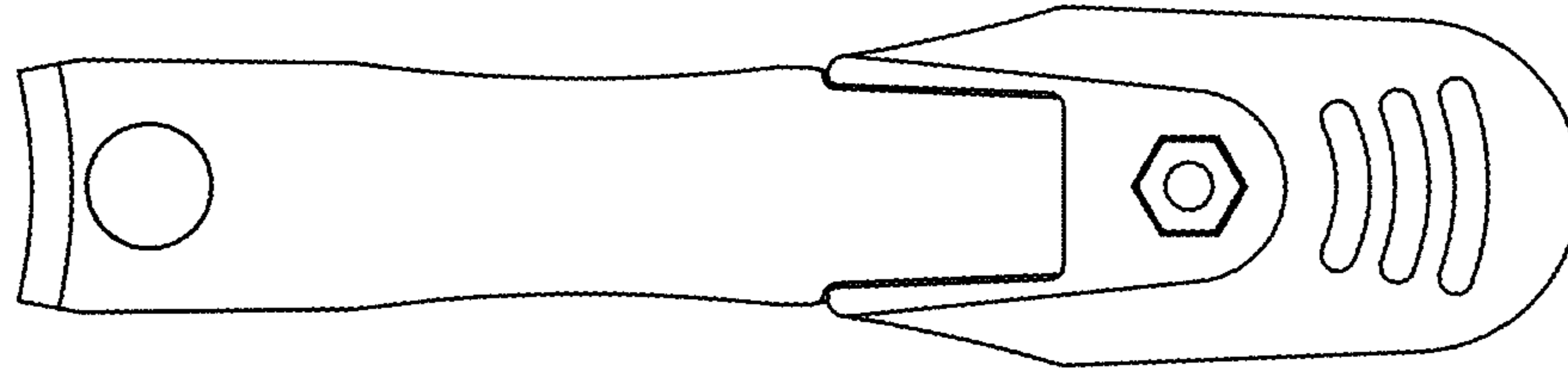


FIG.3

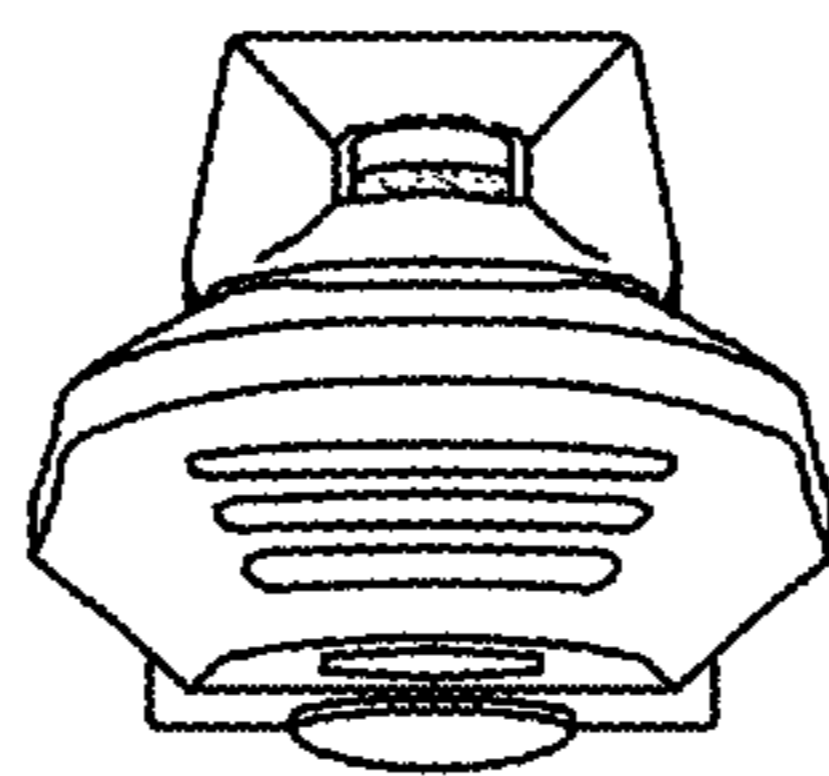


FIG.4

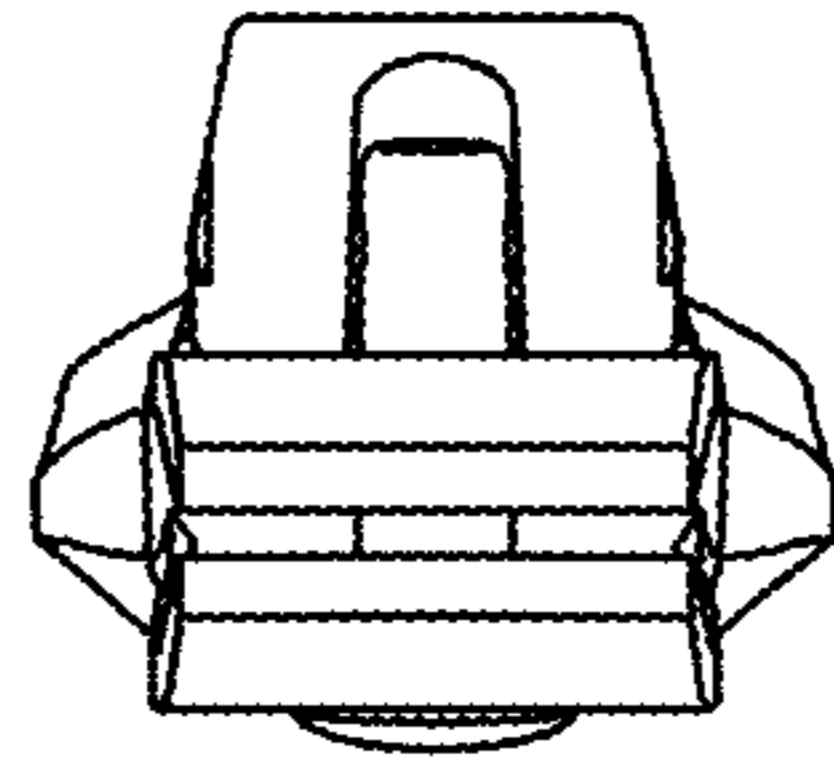


FIG. 5

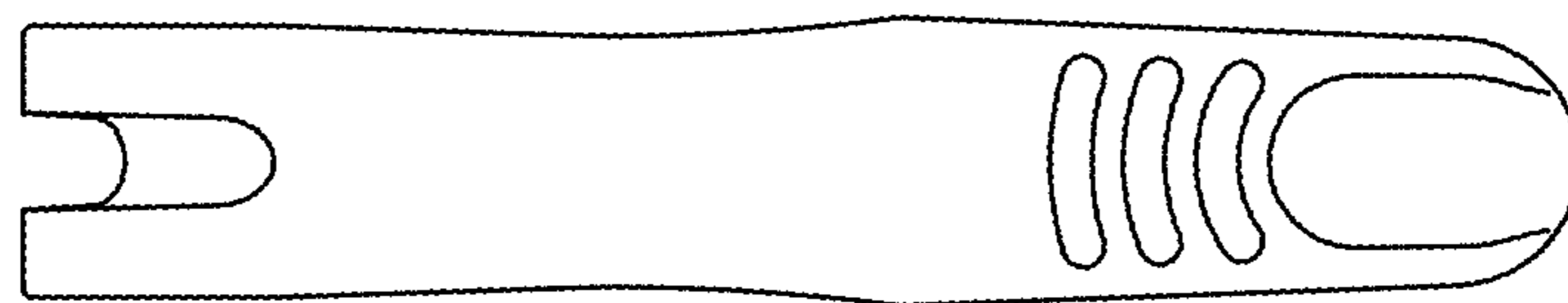


FIG. 6

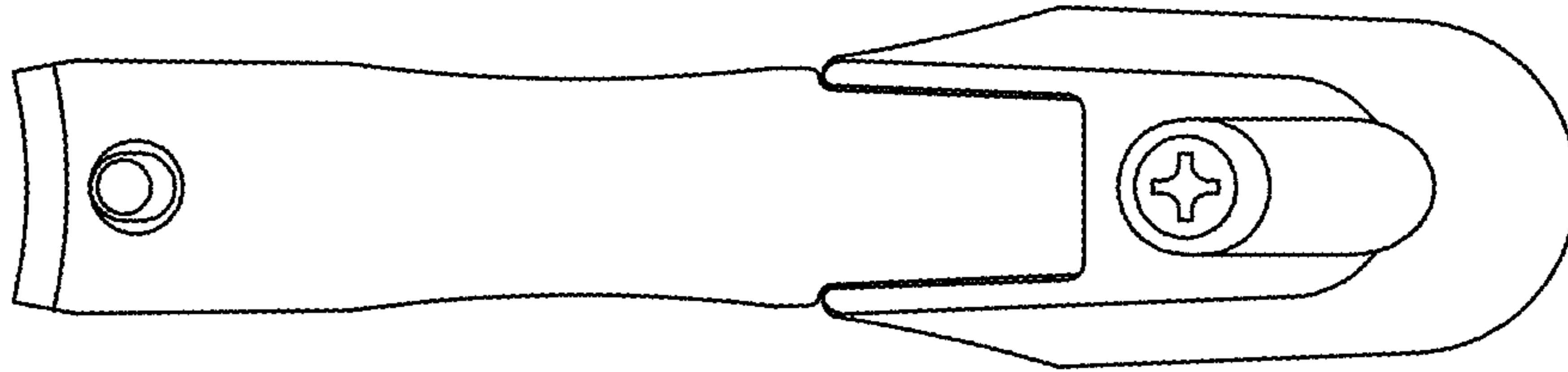


FIG. 7

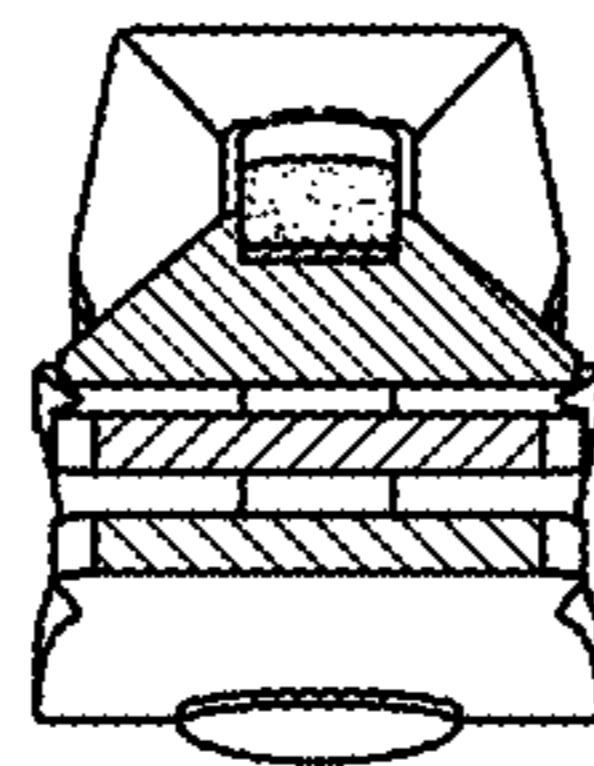


FIG. 8

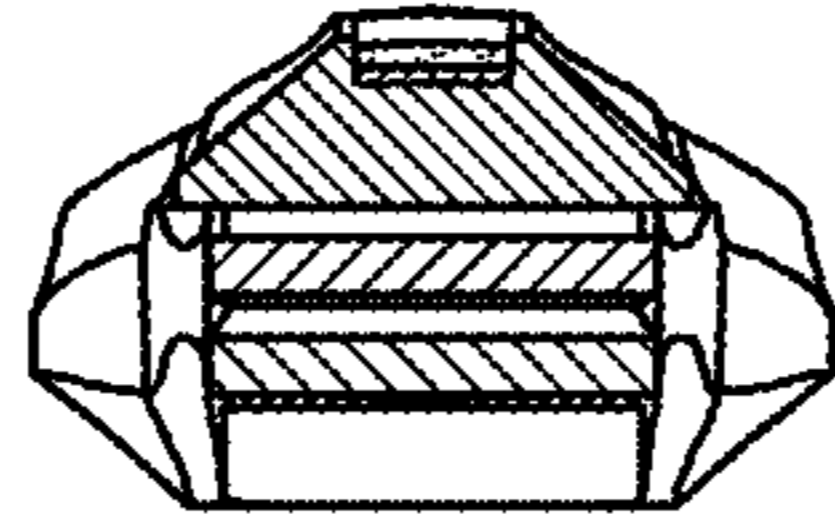


FIG. 9

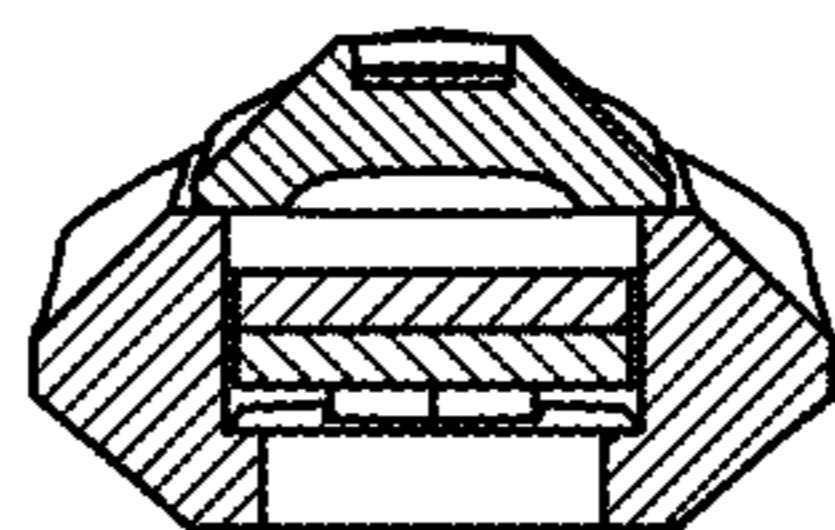


FIG. 10

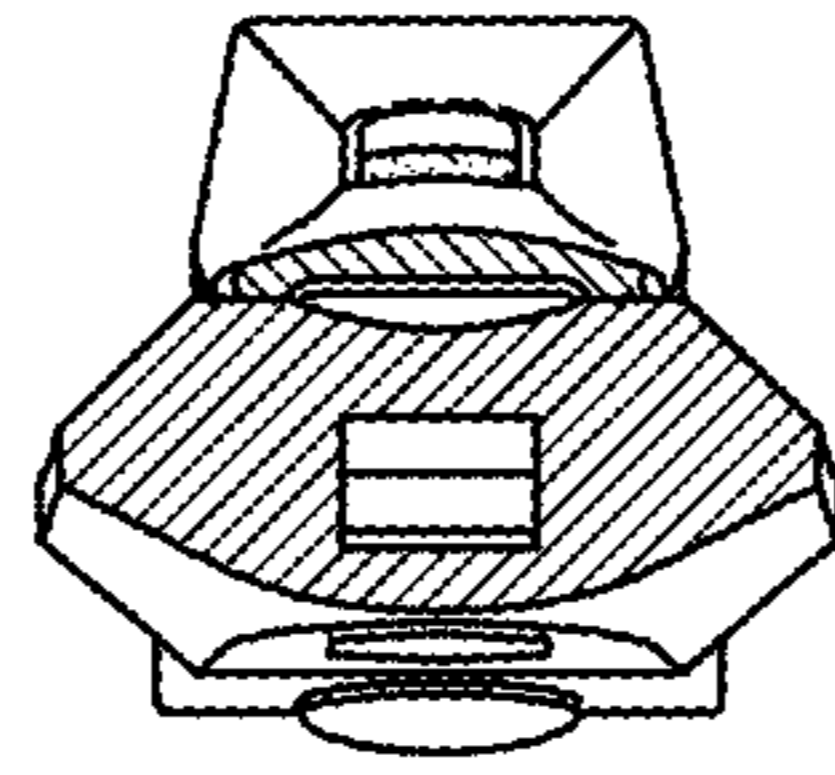


FIG. 11

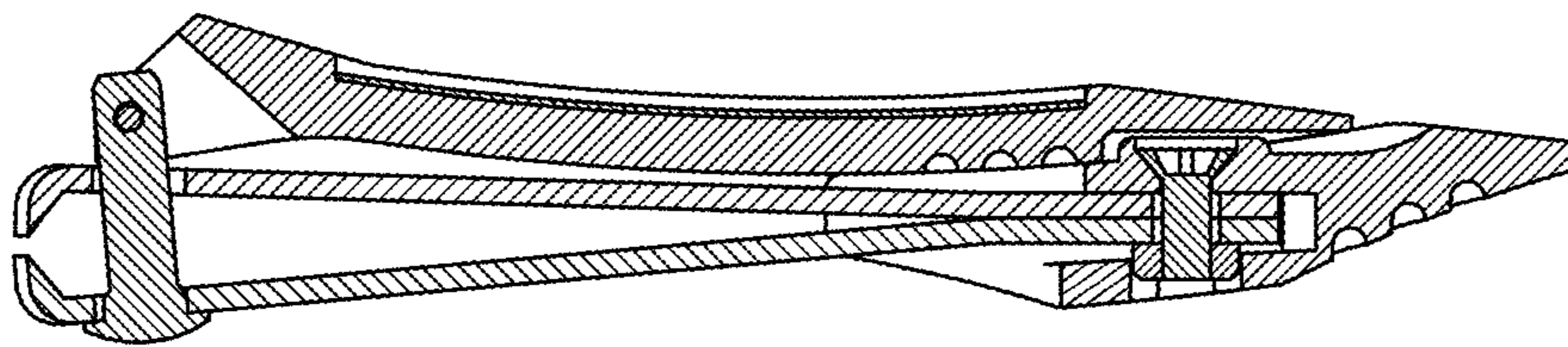


FIG. 12

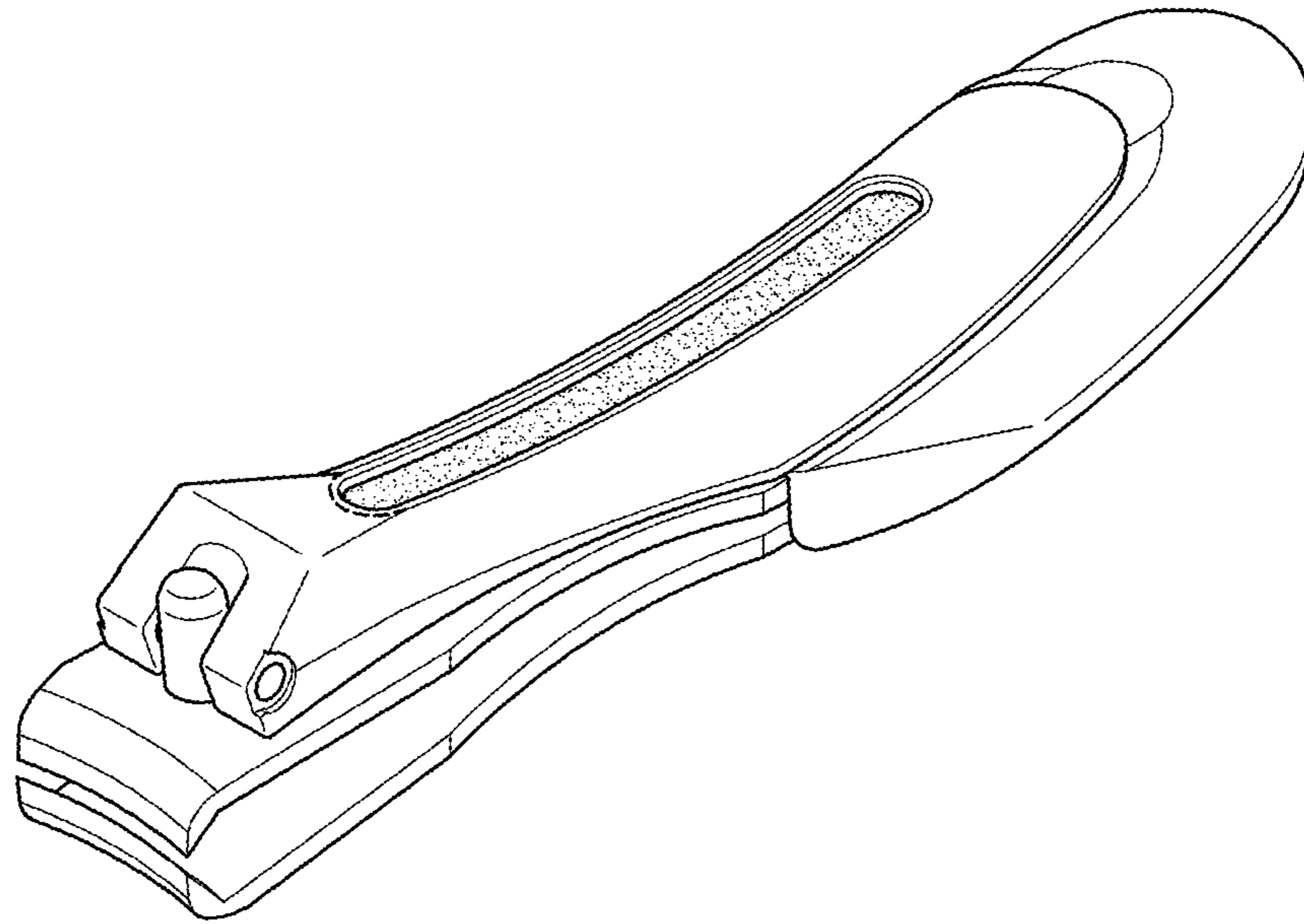


FIG.13

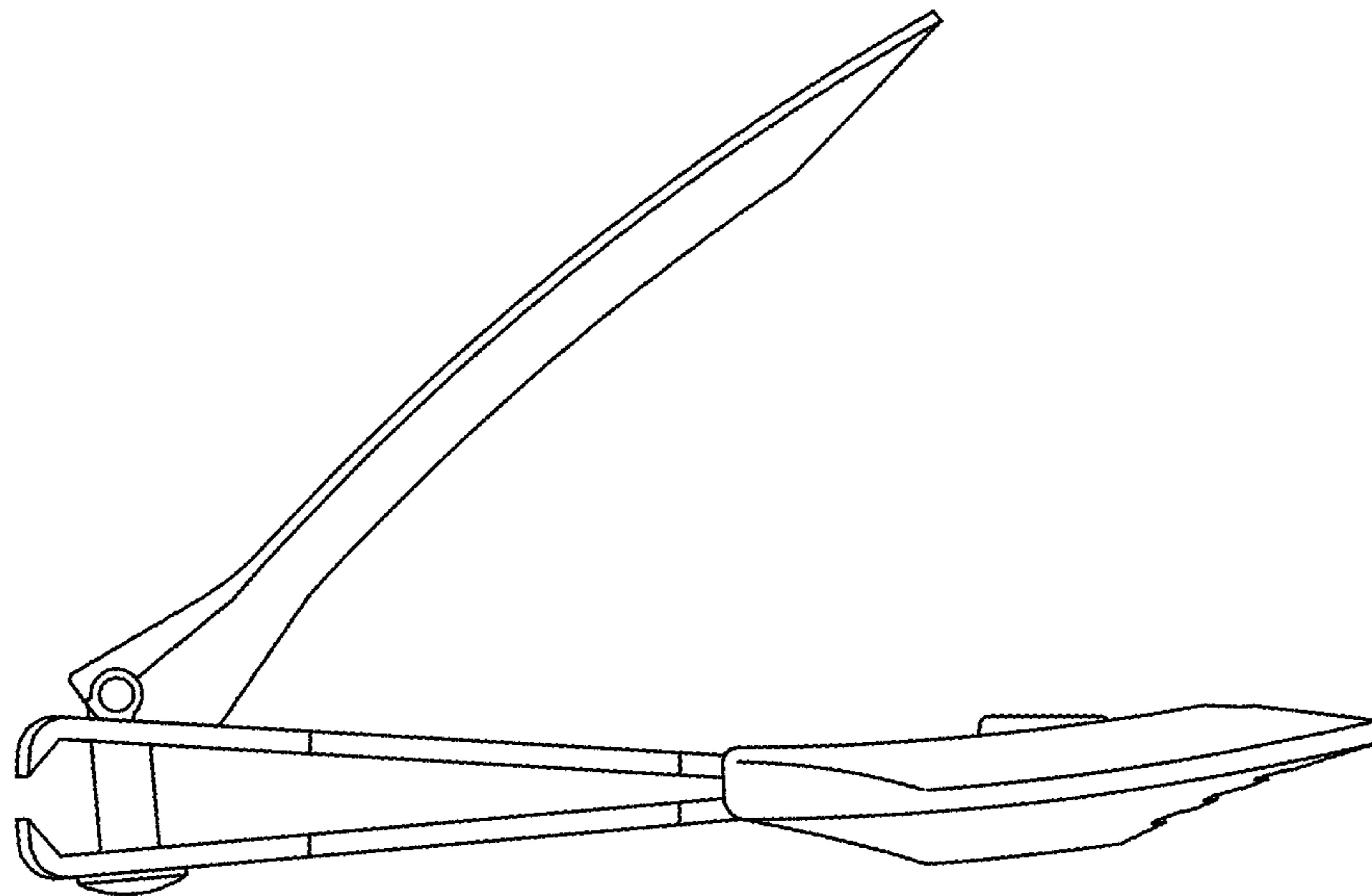


FIG.14