



US00D813458S

(12) **United States Design Patent** (10) **Patent No.:** **US D813,458 S**
Okabe et al. (45) **Date of Patent:** **** Mar. 20, 2018**

(54) **ELECTRIC SHAVER** D696,458 S * 12/2013 Ino D28/51
D717,996 S * 11/2014 Kikuchi D28/51
(71) Applicant: **Panasonic Intellectual Property** D718,495 S * 11/2014 Okabe D28/51
Management Co., Ltd., Osaka (JP) D752,811 S * 3/2016 Okabe D28/54
(72) Inventors: **Kensaku Okabe, Osaka (JP); Mikiyasu** D753,342 S * 4/2016 Okabe D28/51
Ishikura, Kyoto (JP) D763,507 S * 8/2016 Teteak D28/51
D799,118 S * 10/2017 Ino D28/51
2013/0097871 A1 * 4/2013 Yamaguchi B26B 19/28
30/45

(73) Assignee: **Panasonic Intellectual Property**
Management Co., Ltd., Osaka (JP)

(**) Term: **15 Years**

(21) Appl. No.: **29/593,165**

(22) Filed: **Feb. 7, 2017**

(30) **Foreign Application Priority Data**

Aug. 29, 2016 (JP) 2016-018263

(51) **LOC (11) Cl.** **28-03**

(52) **U.S. Cl.**
USPC **D28/51**

(58) **Field of Classification Search**
USPC D28/49-54
CPC B26B 19/00-19/107; B26B 19/12-19/22;
B26B 19/24; B26B 19/26-19/36; B26B
19/38-19/48

See application file for complete search history.

(56) **References Cited**

U.S. PATENT DOCUMENTS

D590,543 S 4/2009 Ullmann
D610,308 S 2/2010 Nishizawa
D674,143 S * 1/2013 Ino D28/51
D674,554 S * 1/2013 Ino D28/51
D674,555 S * 1/2013 Ino D28/51
D695,963 S * 12/2013 Ino D28/51

FOREIGN PATENT DOCUMENTS

EM 000925037-0001 6/2008
EM 002474601-0001 6/2014

* cited by examiner

Primary Examiner — Jennifer Rivard

(74) *Attorney, Agent, or Firm* — Panasonic IP
Management; Kerry S. Culpepper

(57) **CLAIM**

The ornamental design for an electric shaver, as shown and described.

DESCRIPTION

FIG. 1 is a front perspective view of an electric shaver of the present invention;
FIG. 2 is a rear perspective view thereof;
FIG. 3 is a front view thereof;
FIG. 4 is a rear view thereof;
FIG. 5 is a first side view thereof;
FIG. 6 is a second side view thereof;
FIG. 7 is a top view thereof; and,
FIG. 8 is a bottom view thereof.

The broken lines illustrate portions of the electric shaver and form no part of the claimed design.

1 Claim, 8 Drawing Sheets

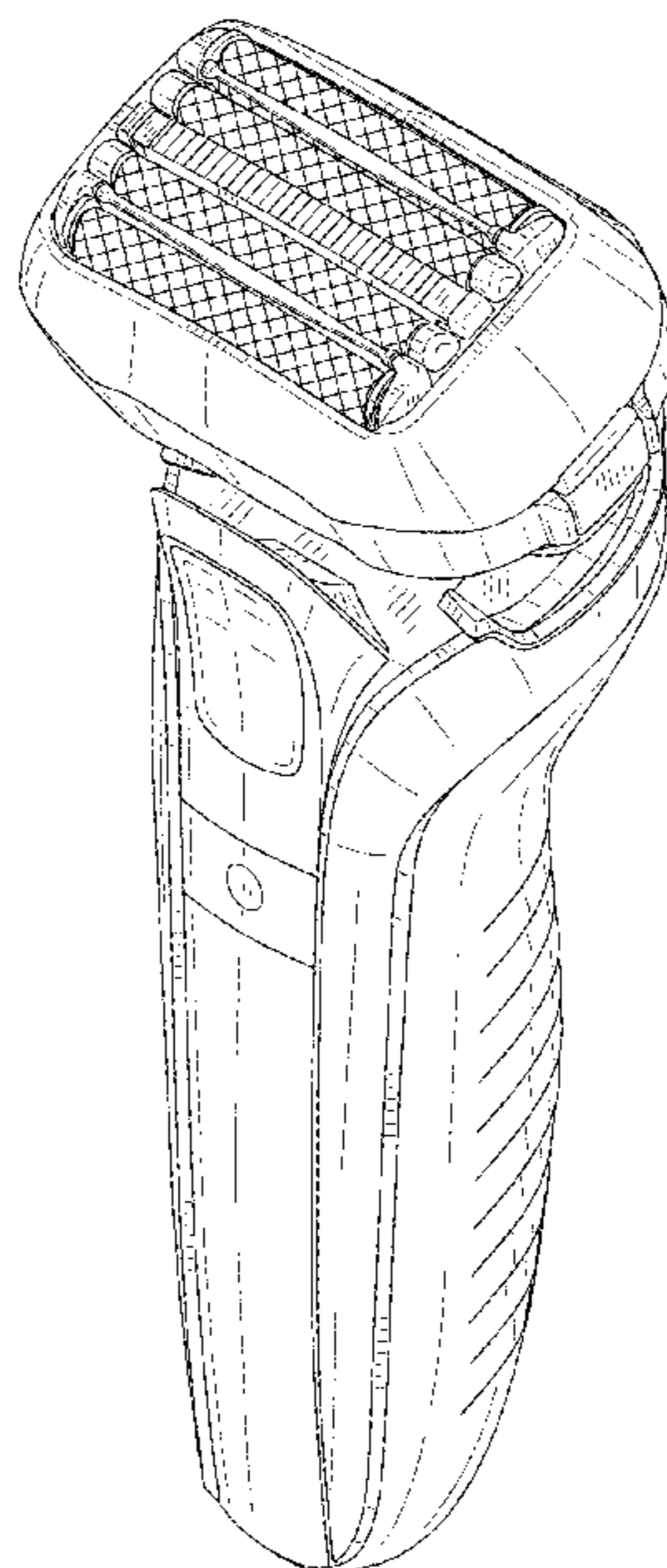


FIG. 1

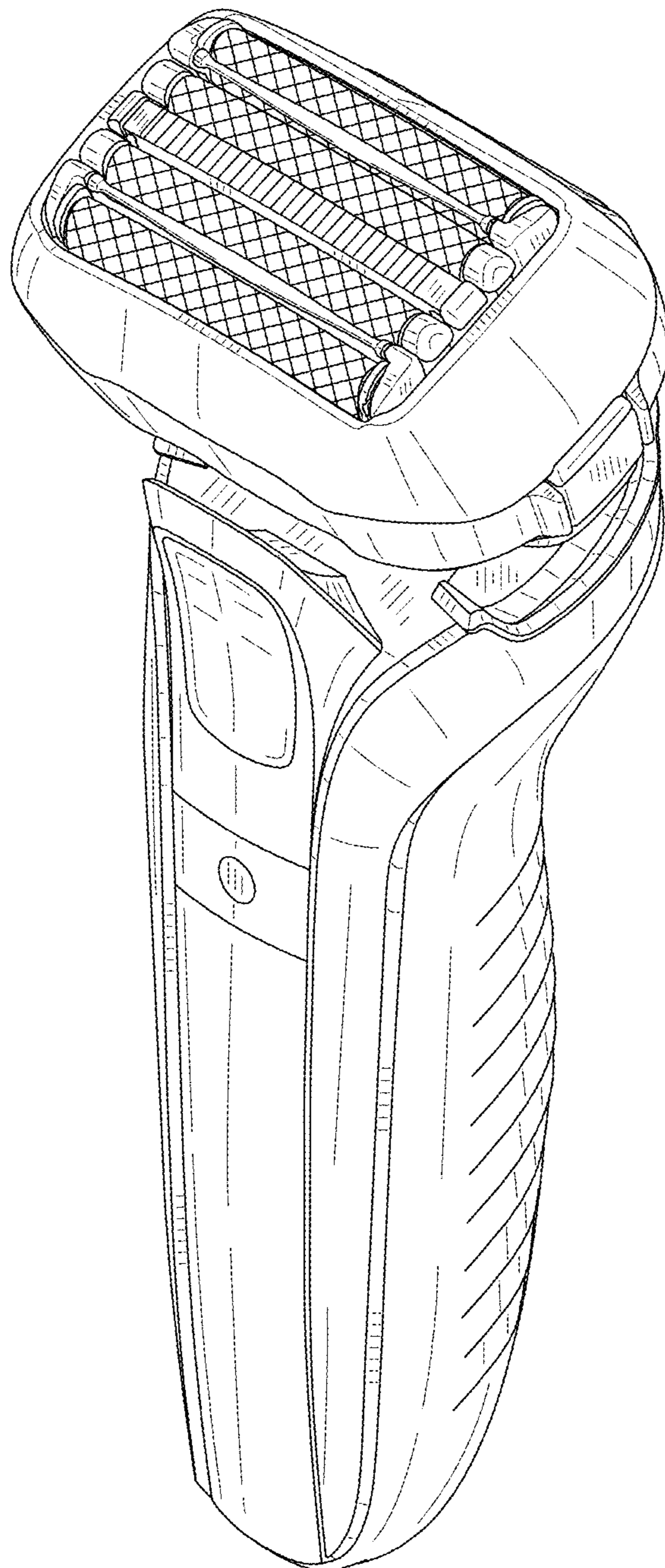


FIG. 2

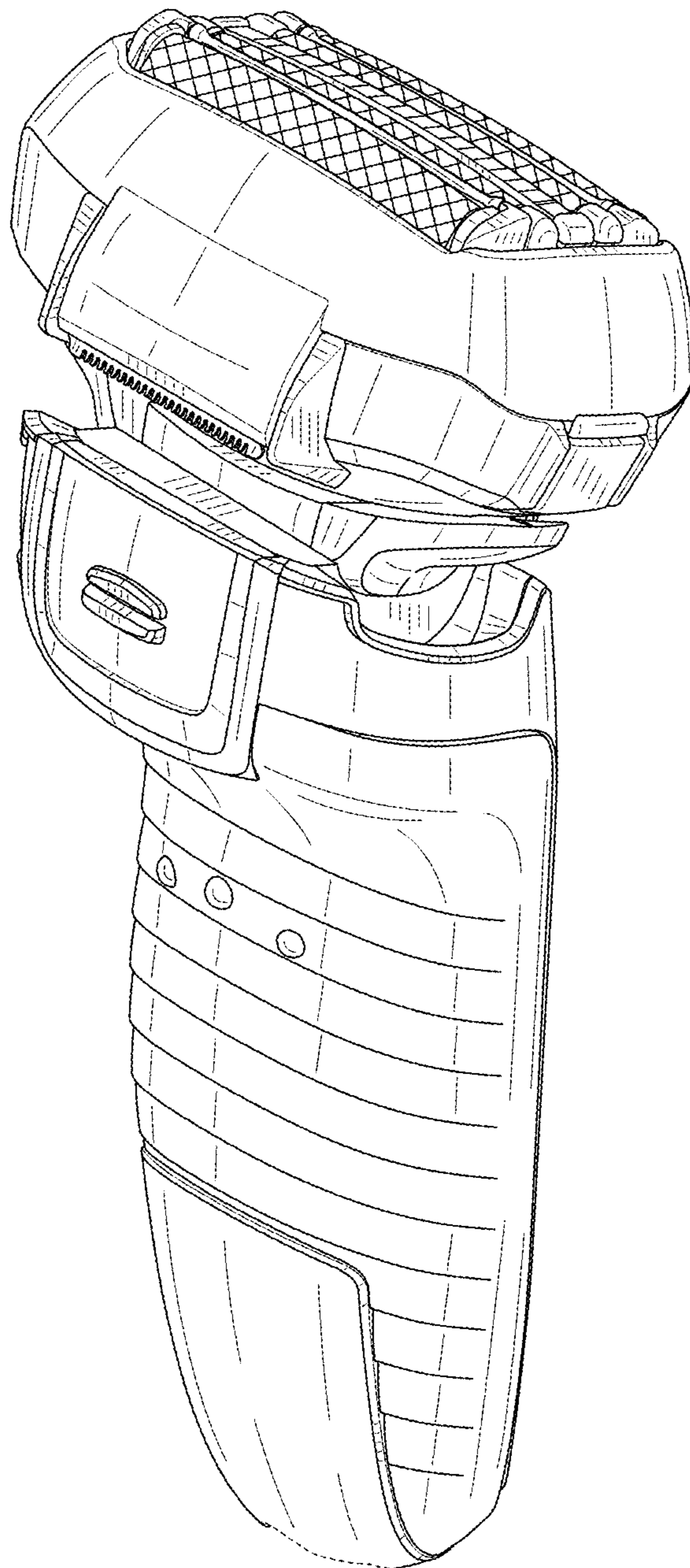


FIG. 3

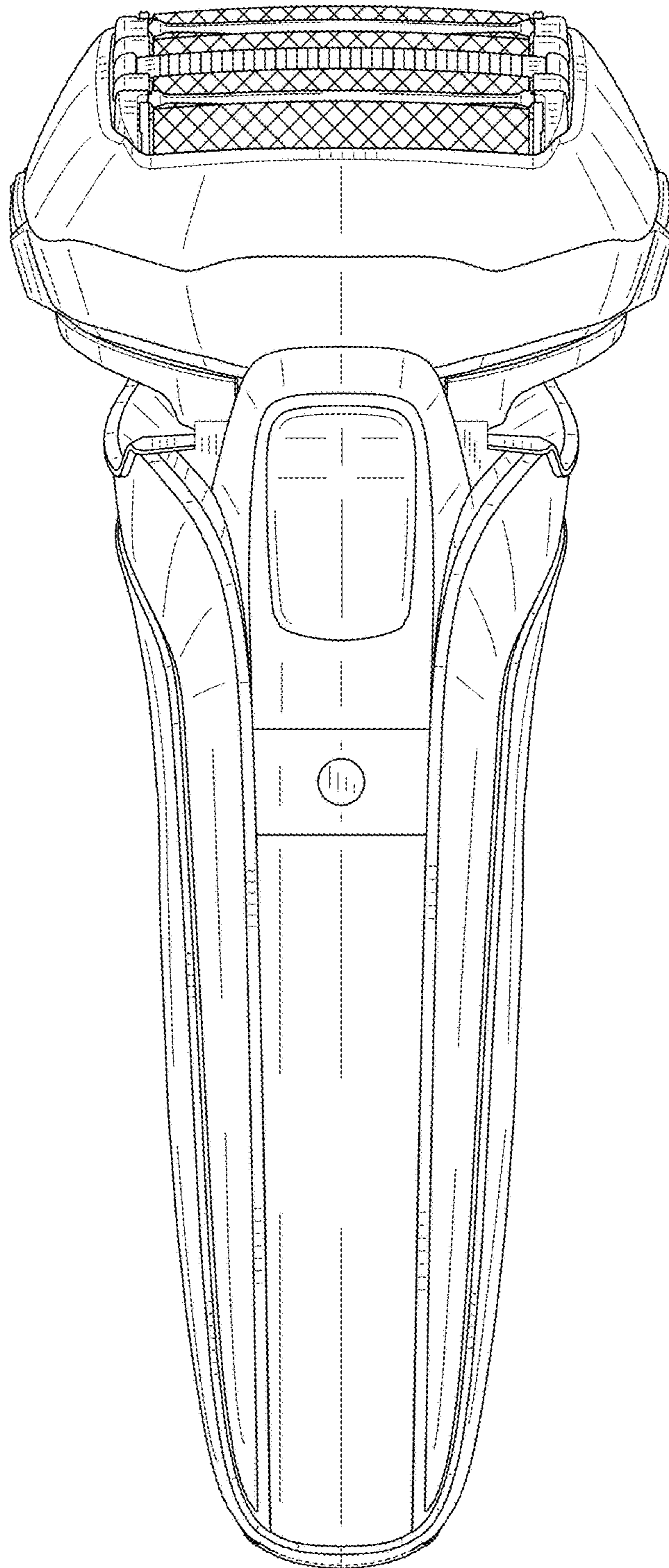


FIG. 4

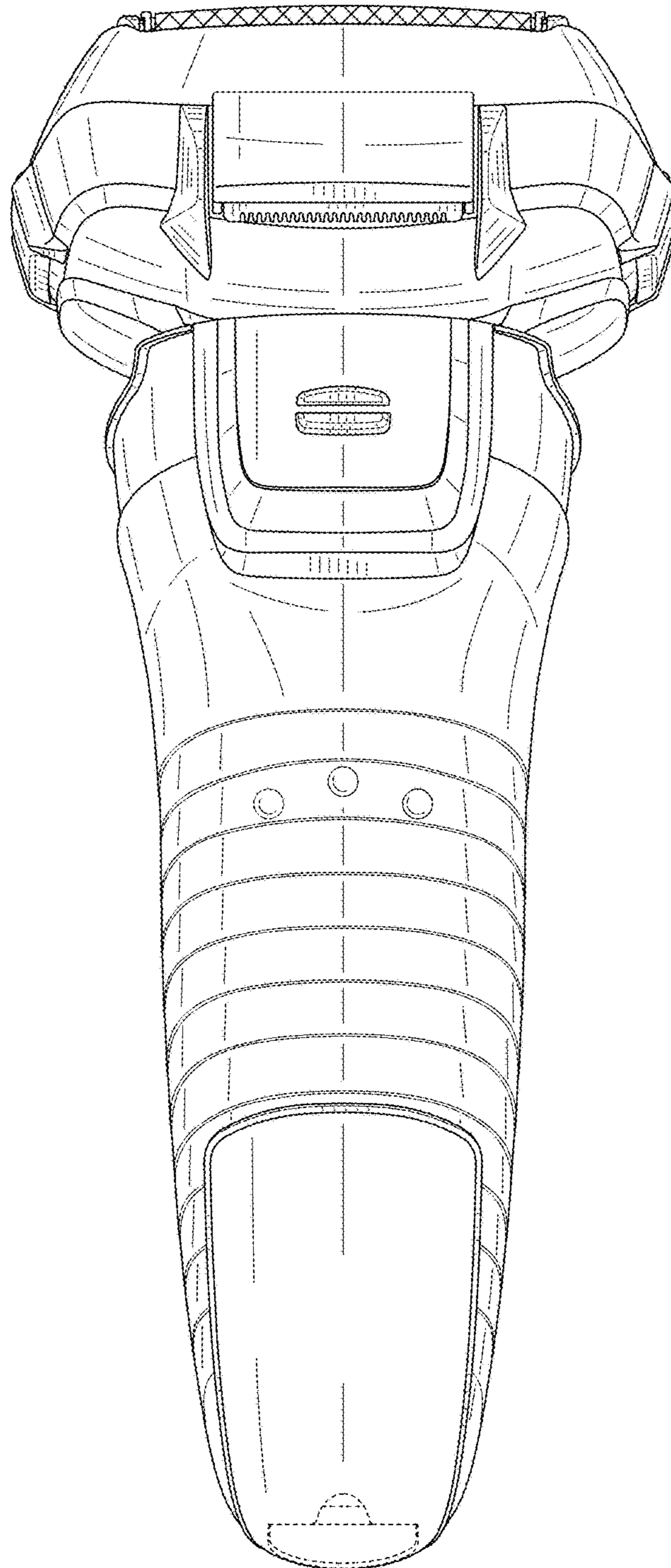


FIG. 5

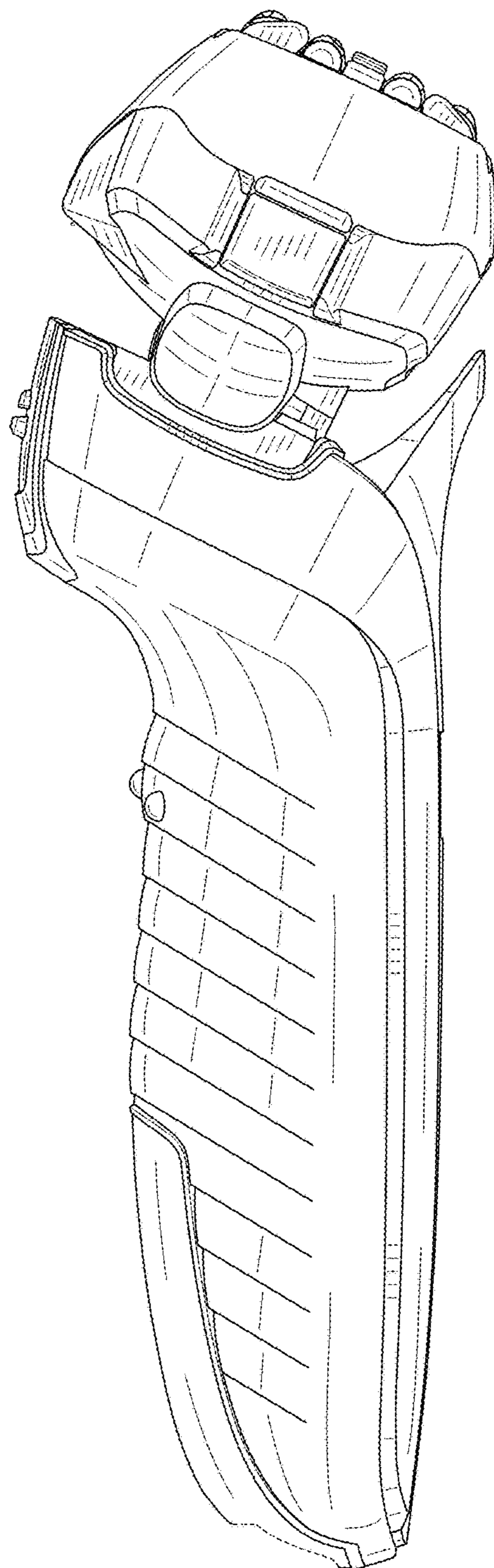


FIG. 6

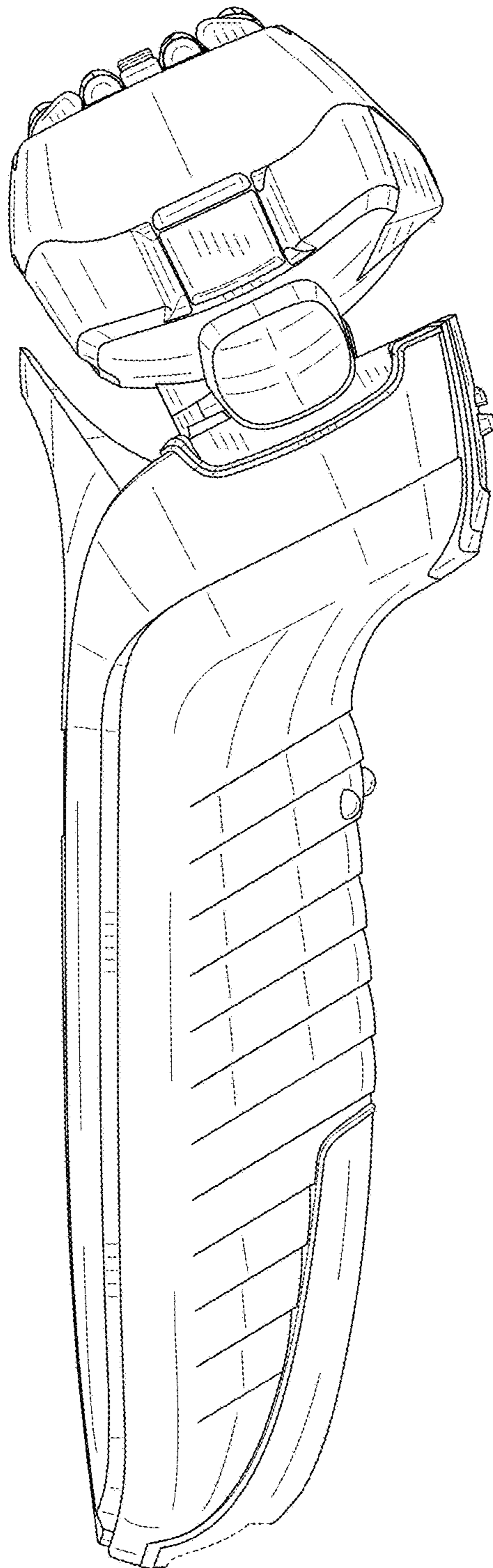


FIG. 7

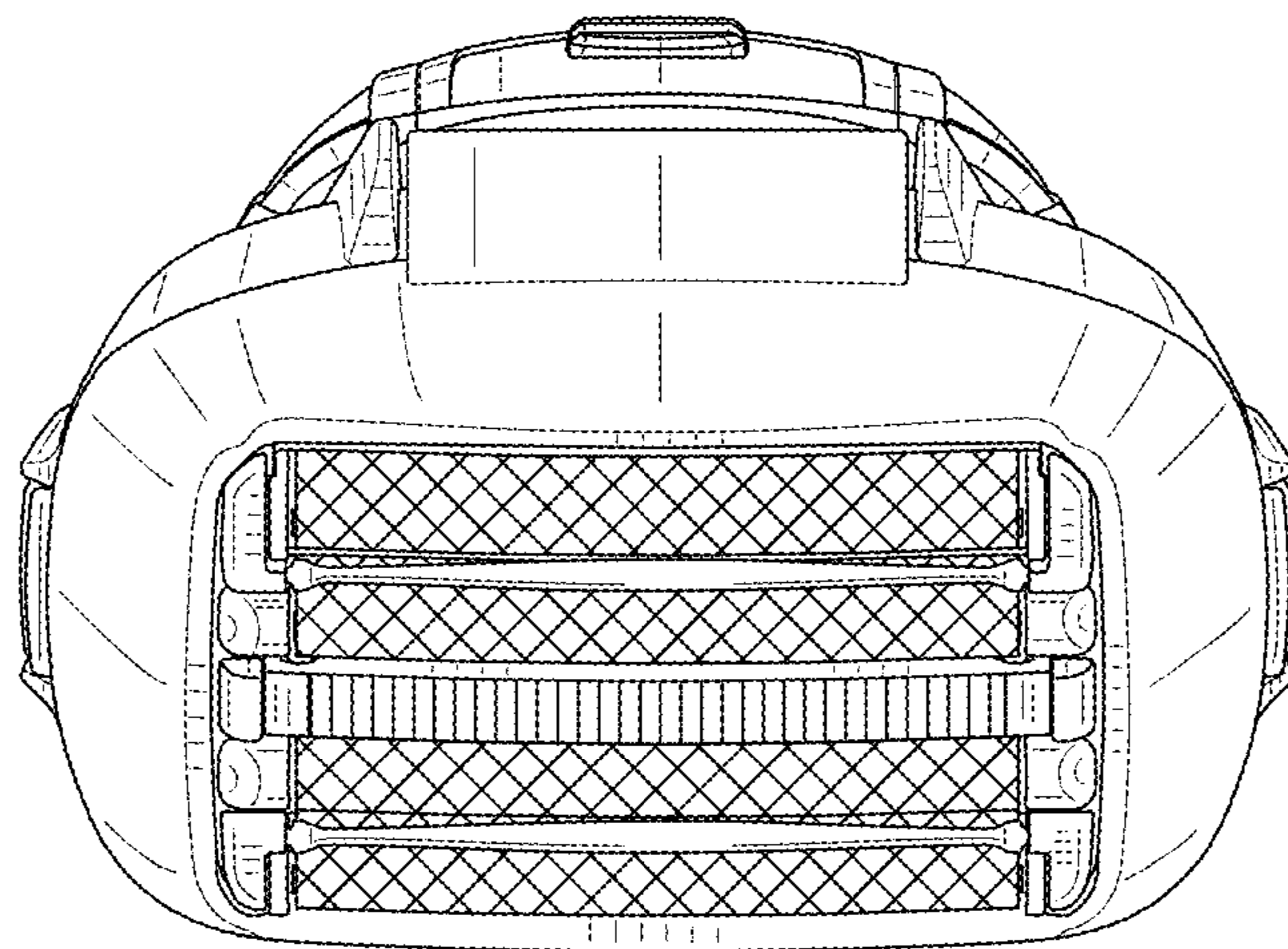


FIG. 8

