



US00D813457S

(12) **United States Design Patent** (10) **Patent No.:** **US D813,457 S**  
**Okabe et al.** (45) **Date of Patent:** **\*\* Mar. 20, 2018**

(54) **ELECTRIC SHAVER**  
 (71) Applicant: **Panasonic Intellectual Property Management Co., Ltd., Osaka (JP)**

D549,875 S \* 8/2007 Akahori ..... D28/51  
 D571,957 S \* 6/2008 Nishizawa ..... D28/51  
 D590,543 S 4/2009 Ullmann  
 D610,308 S 2/2010 Nishizawa  
 D717,996 S 11/2014 Kikuchi

(72) Inventors: **Kensaku Okabe, Osaka (JP); Mikiyasu Ishikura, Kyoto (JP)**

**FOREIGN PATENT DOCUMENTS**

(73) Assignee: **Panasonic Intellectual Property Management Co., Ltd., Osaka (JP)**

EM 000925037-0001 6/2008  
 EM 002474601-0001 6/2014

(\*\*) Term: **15 Years**

\* cited by examiner

(21) Appl. No.: **29/593,164**

*Primary Examiner* — Jennifer Rivard  
 (74) *Attorney, Agent, or Firm* — Panasonic IP Management; Kerry S. Culpepper

(22) Filed: **Feb. 7, 2017**

(30) **Foreign Application Priority Data**

(57) **CLAIM**

Aug. 23, 2016 (JP) ..... 2016-017850

The ornamental design for an electric shaver, as shown and described.

(51) **LOC (11) Cl.** ..... **28-03**

**DESCRIPTION**

(52) **U.S. Cl.**  
 USPC ..... **D28/51**

(58) **Field of Classification Search**  
 USPC ..... D28/49–54  
 CPC ..... B26B 19/00–19/107  
 See application file for complete search history.

FIG. 1 is a front perspective view of an electric shaver of the present invention;  
 FIG. 2 is a rear perspective view thereof;  
 FIG. 3 is a front view thereof;  
 FIG. 4 is a rear view thereof;  
 FIG. 5 is a first side view thereof;  
 FIG. 6 is a second side view thereof;  
 FIG. 7 is a top view thereof; and,  
 FIG. 8 is a bottom view thereof.

(56) **References Cited**

**U.S. PATENT DOCUMENTS**

D477,113 S \* 7/2003 Muramatsu ..... D28/51  
 D495,091 S 8/2004 Ullmann  
 D505,751 S \* 5/2005 Nagano ..... D28/49  
 D512,183 S \* 11/2005 Nagano ..... D28/51  
 D523,586 S \* 6/2006 Nishizawa ..... D28/51

The broken lines illustrate portions of the electric shaver and form no part of the claimed design.

**1 Claim, 8 Drawing Sheets**

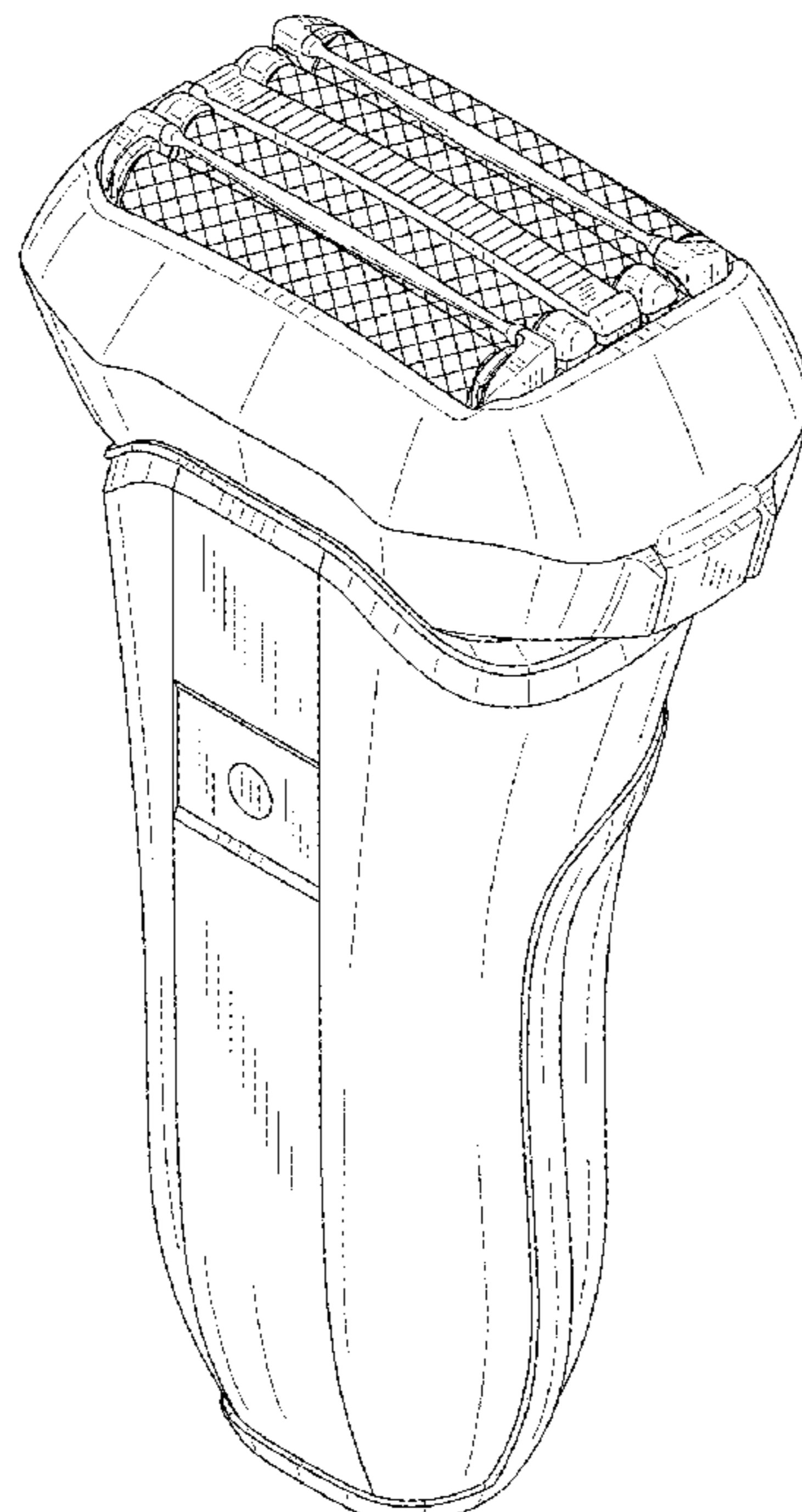


FIG. 1

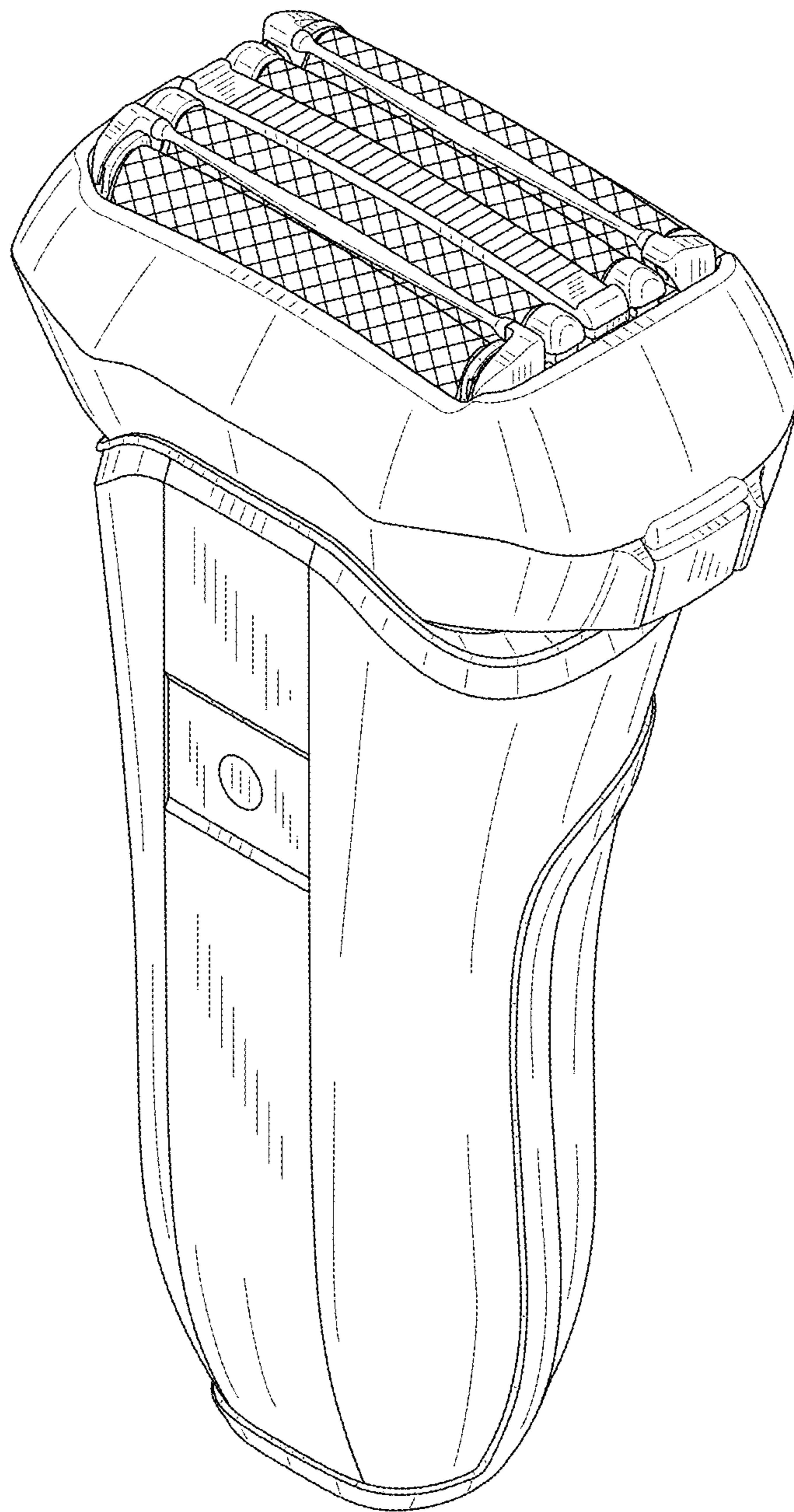


FIG. 2

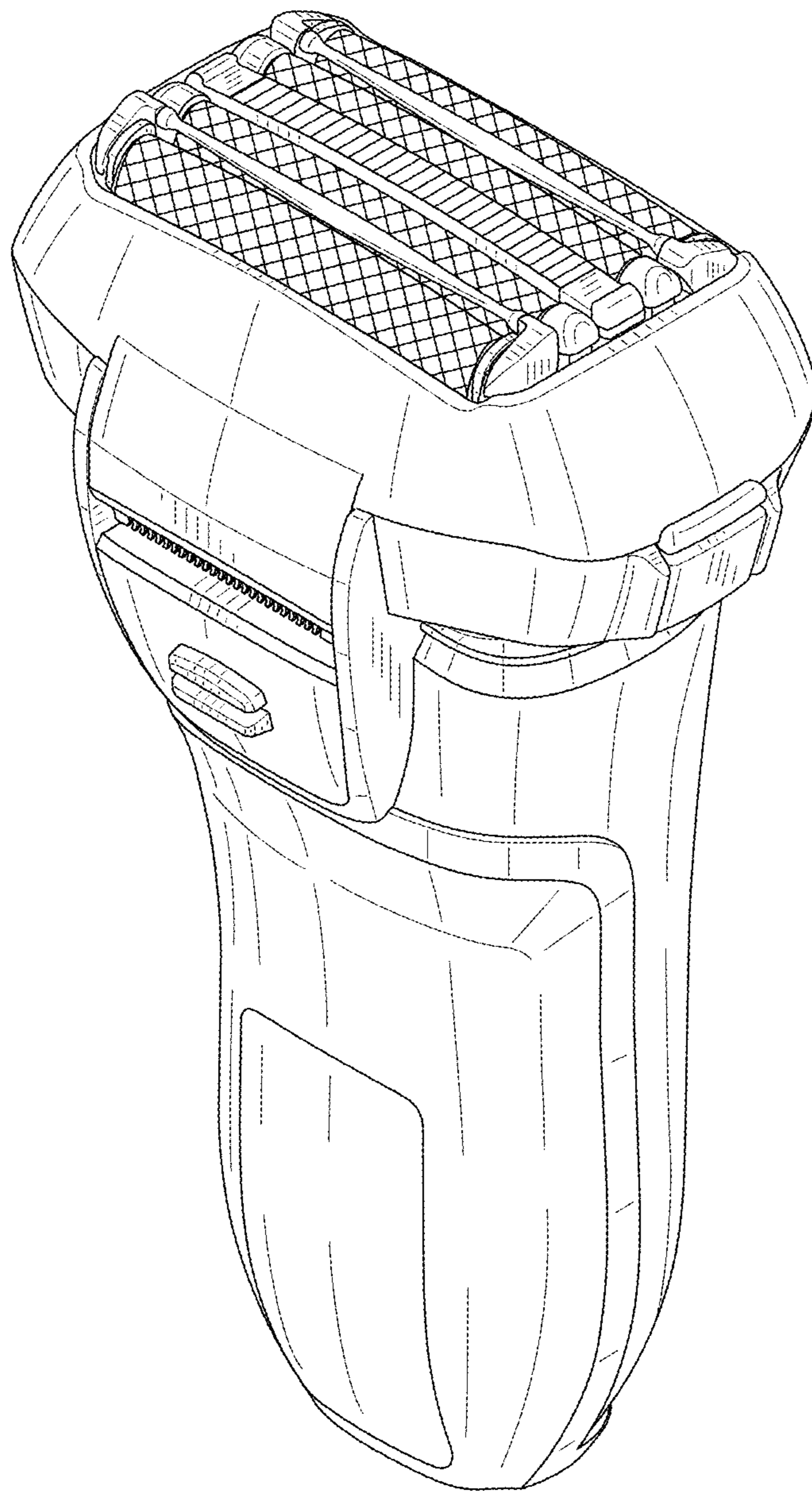


FIG. 3

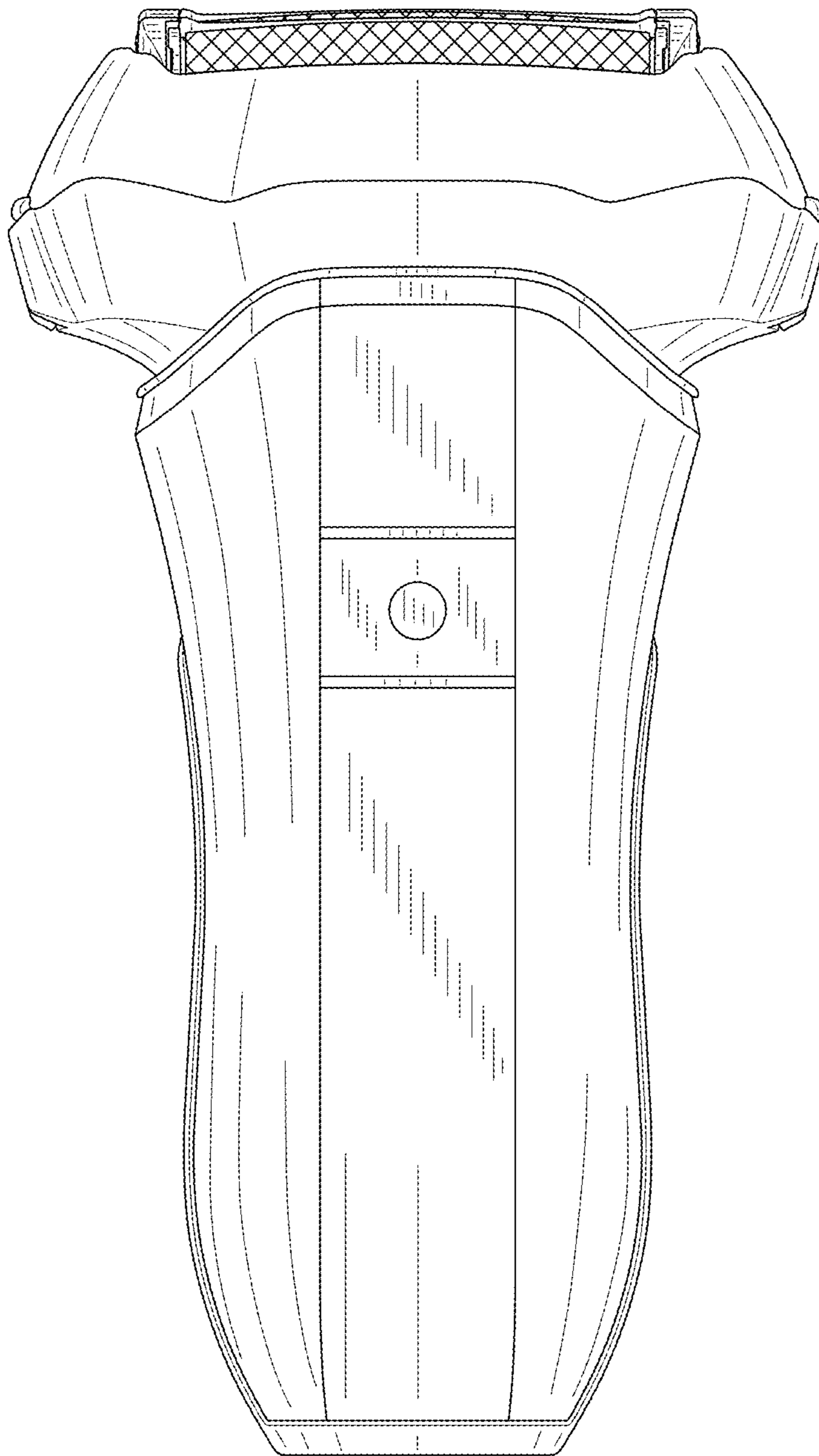




FIG. 4

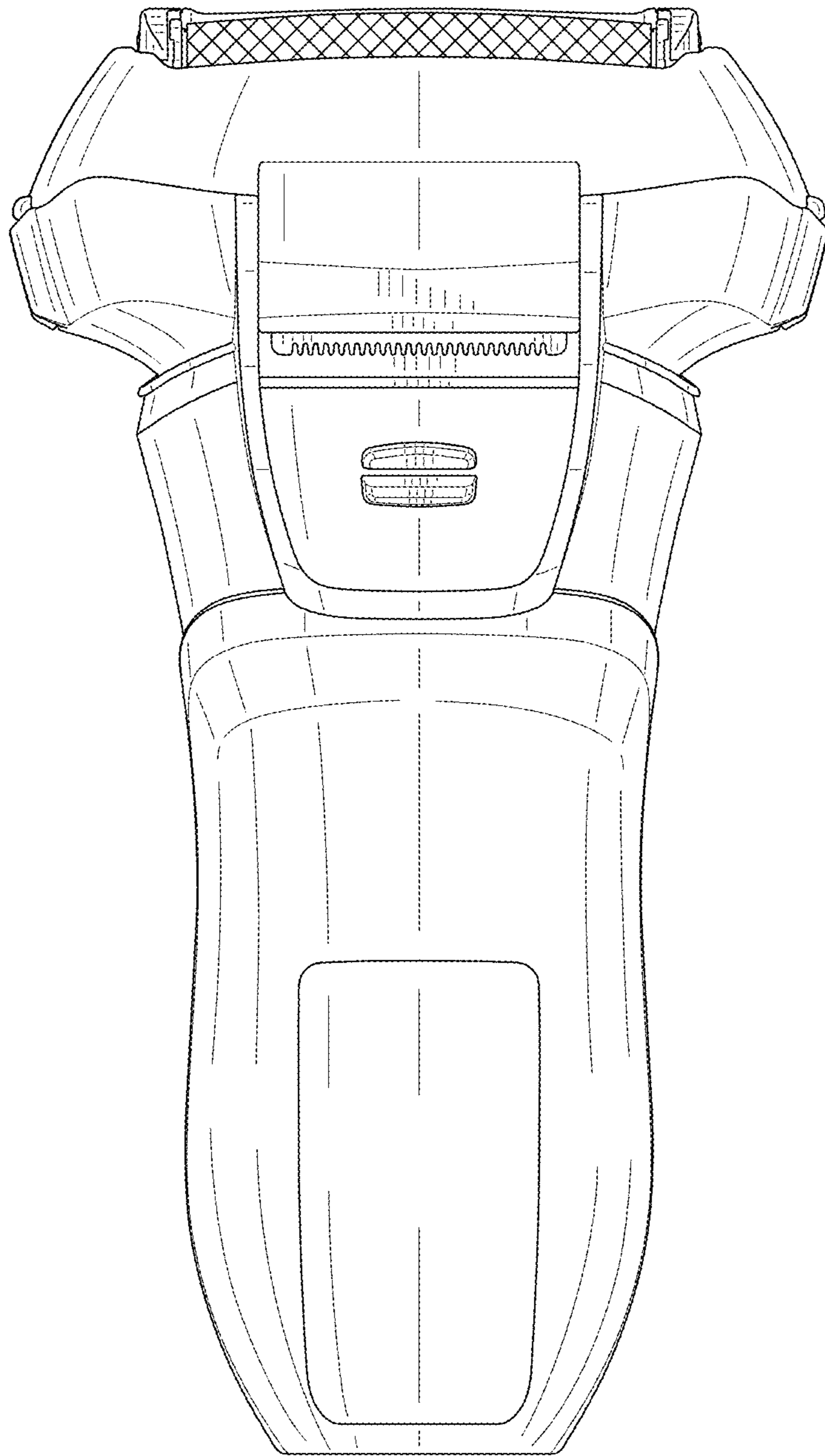


FIG. 5

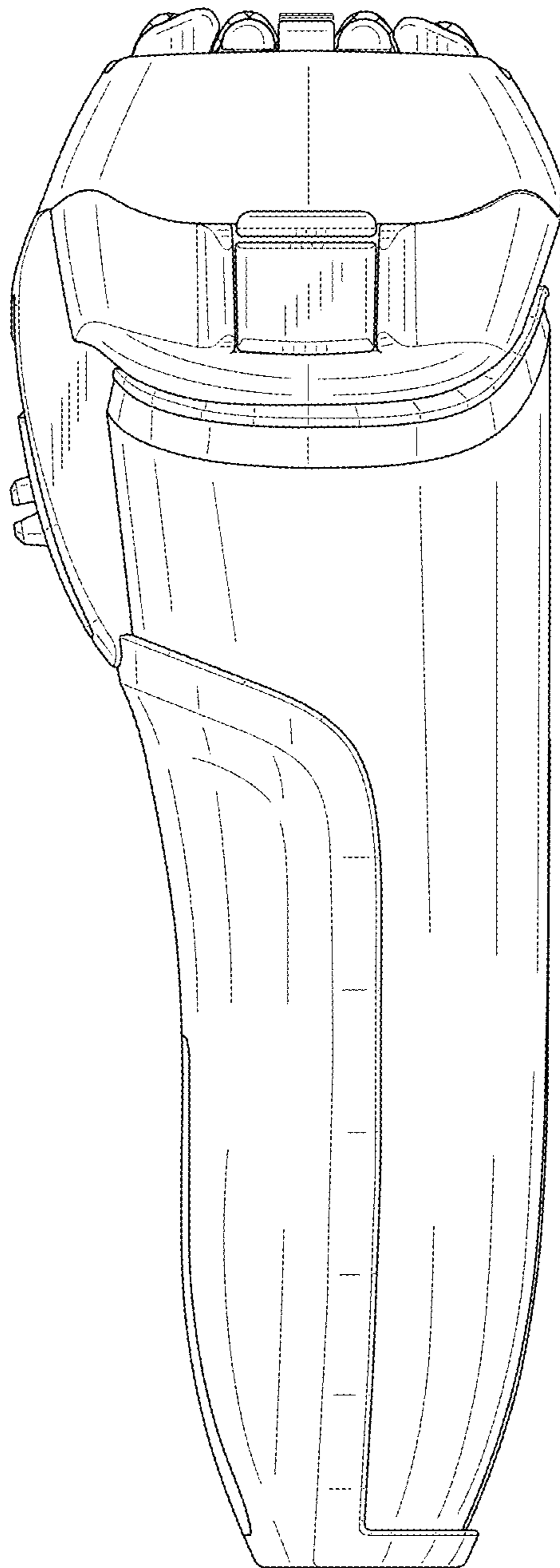


FIG. 6

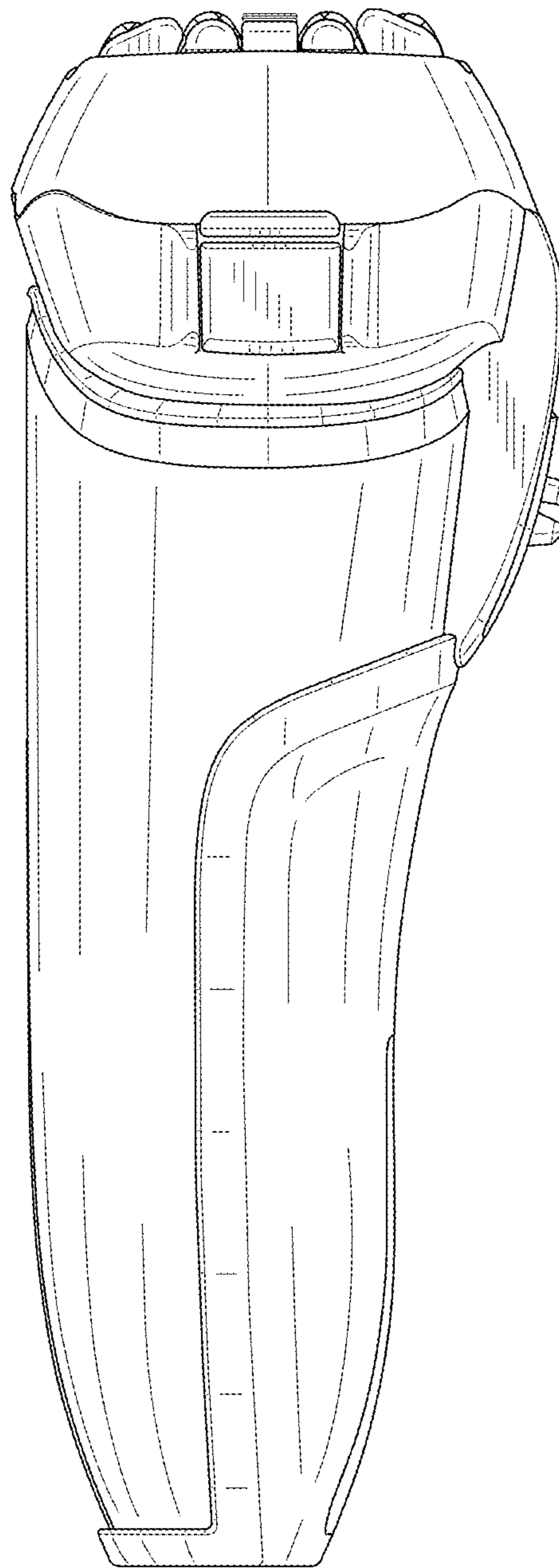


FIG. 7

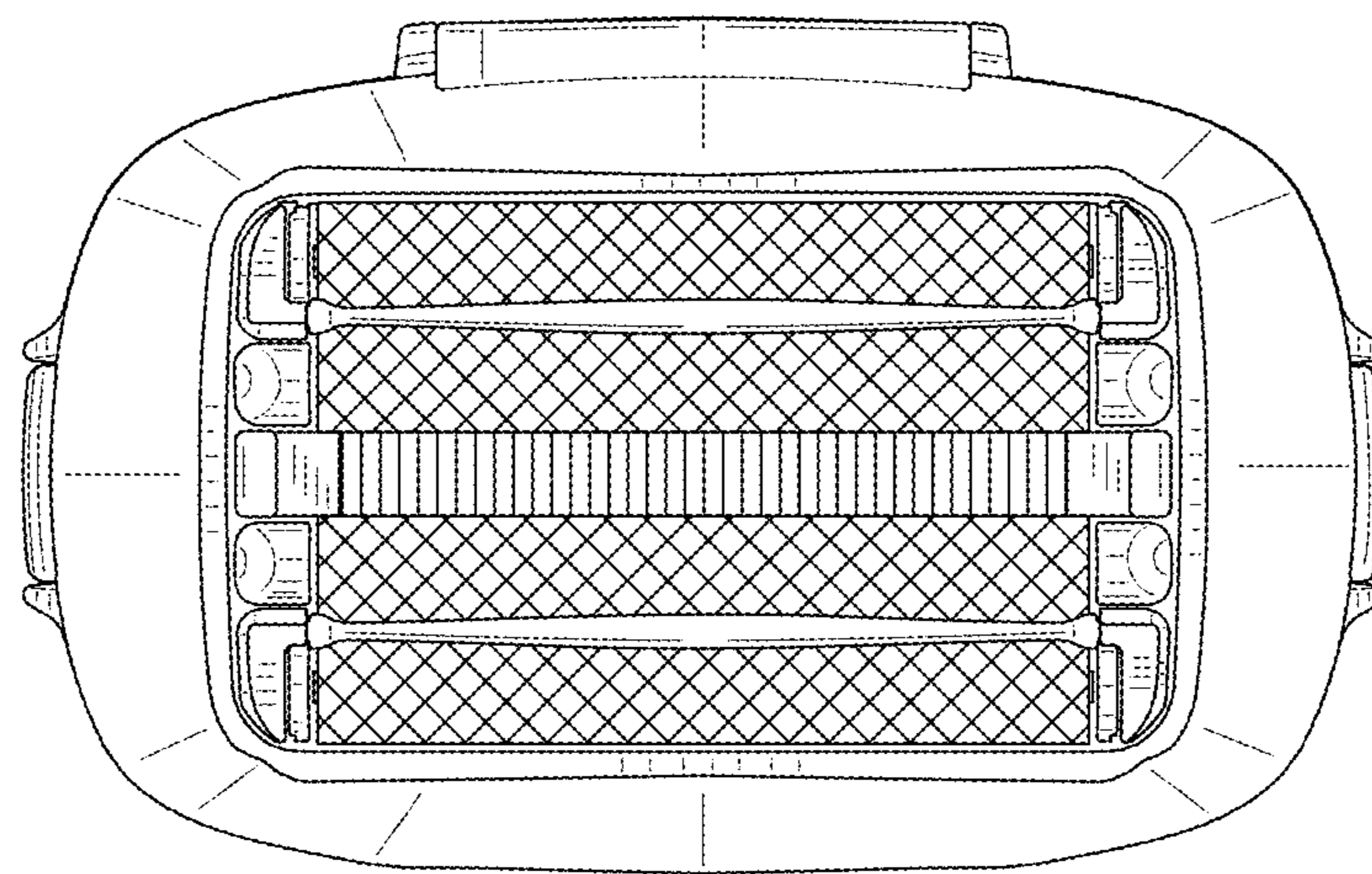




FIG. 8

