



US00D813455S

(12) **United States Design Patent**
Forti et al.

(10) **Patent No.:** **US D813,455 S**

(45) **Date of Patent:** **** Mar. 20, 2018**

(54) **RAZOR HANDLE**

(71) Applicant: **The Gillette Company**, Boston, MA
(US)

(72) Inventors: **Alexander Stephen Forti**, Dedham,
MA (US); **Robert Harold Johnson**,
Hingham, MA (US); **Hong Lu**, Newton,
MA (US); **Vanessa Christie**, Boston,
MA (US); **Thomas Anthony**
Gernetzke, Beverly, MA (US); **Michael**
David Tinstman, Malden, MA (US);
Benjamin Andrew Bangser, Los
Angeles, CA (US)

(73) Assignee: **The Gillette Company LLC**, Boston,
MA (US)

(**) Term: **15 Years**

(21) Appl. No.: **29/573,990**

(22) Filed: **Aug. 11, 2016**

(51) **LOC (11) Cl.** **28-03**

(52) **U.S. Cl.**
USPC **D28/48**

(58) **Field of Classification Search**
USPC D28/46-48
CPC B26B 21/52-21/528; B26B 21/14-21/38;
B26B 21/08; B26B 21/00
See application file for complete search history.

(56) **References Cited**

U.S. PATENT DOCUMENTS

D392,418 S	*	3/1998	Gray	D28/48
D396,129 S	*	7/1998	Gray	D28/46
D397,512 S	*	8/1998	Gray	D28/48
D404,527 S	*	1/1999	Gray	D28/48
D406,393 S	*	3/1999	Gray	D28/48
D407,849 S	*	4/1999	Gray	D28/47

D422,751 S	*	4/2000	Gray	D28/47
D438,342 S	*	2/2001	Gray	D28/48
D444,267 S	*	6/2001	Gray	D28/48
D500,174 S	*	12/2004	Gray	D28/48
D500,390 S	*	12/2004	Gray	D28/47
D509,321 S	*	9/2005	Gray	D28/46
D510,643 S	*	10/2005	Gray	D28/48
D515,740 S	*	2/2006	Provost	D28/46
D558,398 S	*	12/2007	Park	D28/46
D603,556 S	*	11/2009	Rhoad	D28/47
D603,557 S	*	11/2009	Rhoad	D28/47
D643,977 S	*	8/2011	Wonderley	D28/47
D661,425 S	*	6/2012	Cataudella	D28/46
D674,552 S	*	1/2013	Barrow	D28/48
D695,457 S	*	12/2013	Watson	D28/47
D725,824 S	*	3/2015	Sims	D28/48

(Continued)

Primary Examiner — Jennifer Rivard

(74) *Attorney, Agent, or Firm* — Joanne N. Pappas; Kevin
C. Johnson; Steven W. Miller

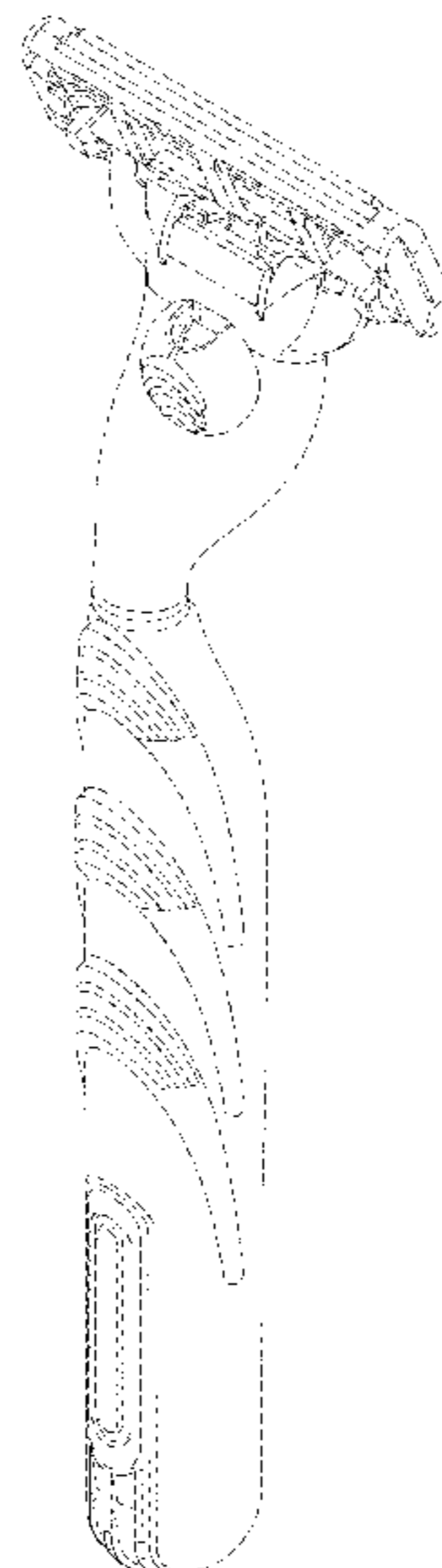
(57) **CLAIM**

The ornamental design for a razor handle, as shown and
described.

DESCRIPTION

FIG. 1 is a perspective view of a razor handle of the present
invention;
FIG. 2 is a front view of the razor handle of FIG. 1;
FIG. 3 is a back view of the razor handle of FIG. 1;
FIG. 4 is a right side view of the razor handle of FIG. 1;
FIG. 5 is a left side view of the razor handle of FIG. 1;
FIG. 6 is a top view of the razor handle of FIG. 1; and,
FIG. 7 is a bottom view of the razor handle of FIG. 1.
The razor head that shown in evenly spaced broken lines
illustrates the environment of the claim. The remaining
evenly spaced broken lines illustrate portions of the razor
handle. The dash-dot-dash broken lines illustrate the bounds
of the claim. The evenly spaced broken lines and dash-dot-
dash broken lines form no part of the claimed design.

1 Claim, 5 Drawing Sheets



(56)

References Cited

U.S. PATENT DOCUMENTS

D731,119	S	*	6/2015	Daniel	D28/46
D739,980	S	*	9/2015	Psimadas	D28/48
D741,009	S	*	10/2015	Bruno	D28/47
D766,506	S	*	9/2016	Bruno	D28/47
D779,122	S	*	2/2017	Dubin	D28/48
D787,125	S	*	5/2017	Dubin	D28/48
D787,127	S	*	5/2017	Dubin	D28/48

* cited by examiner

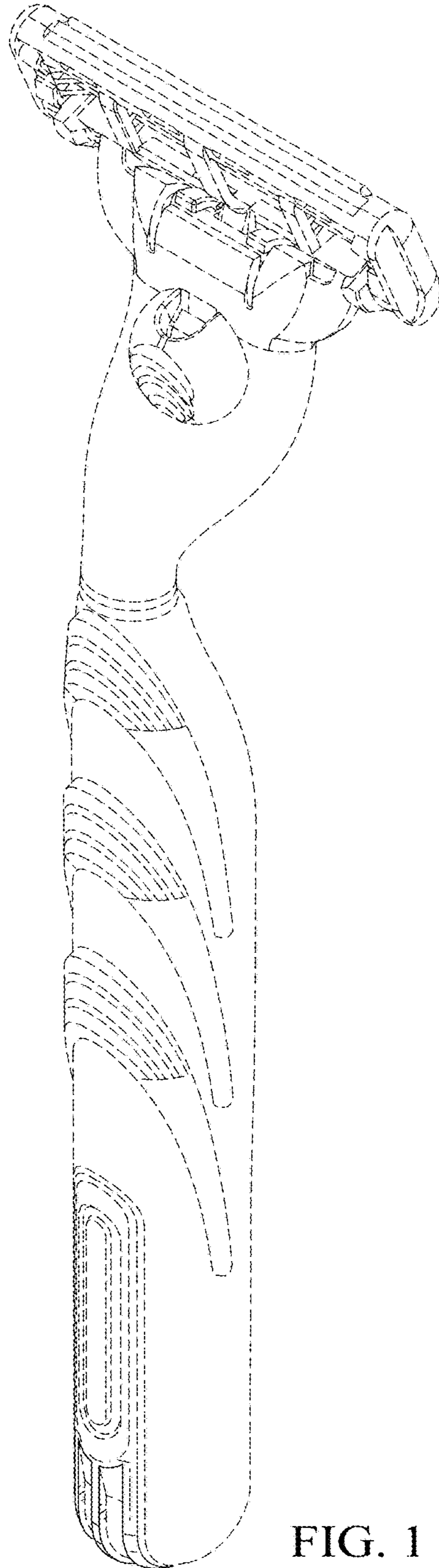


FIG. 1

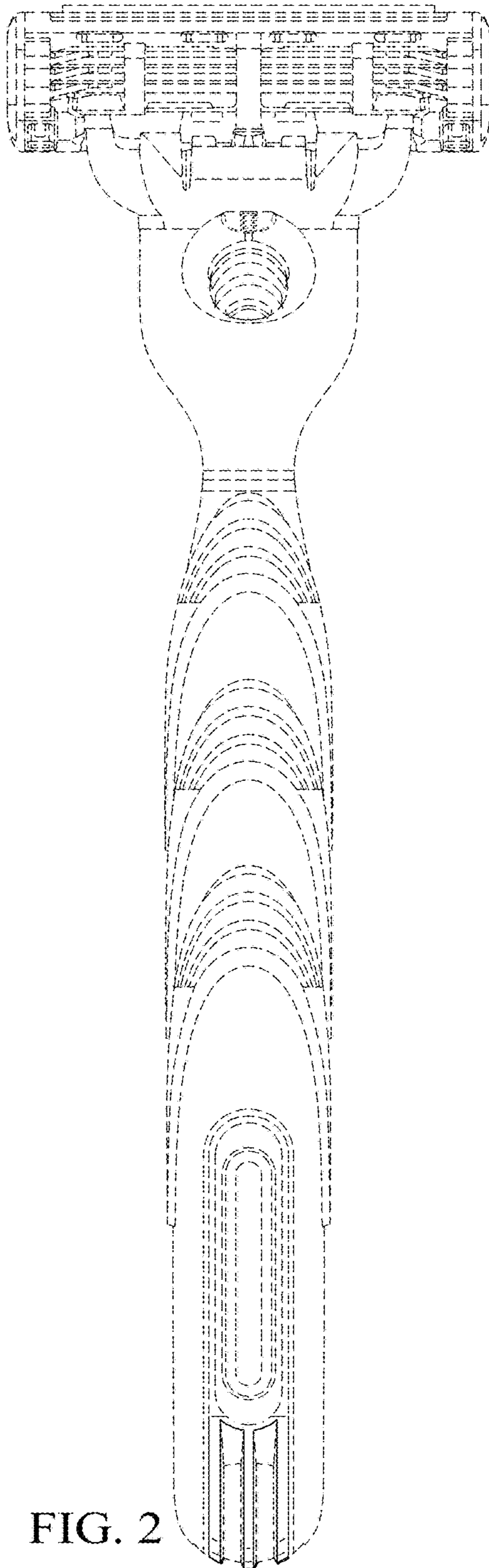


FIG. 2

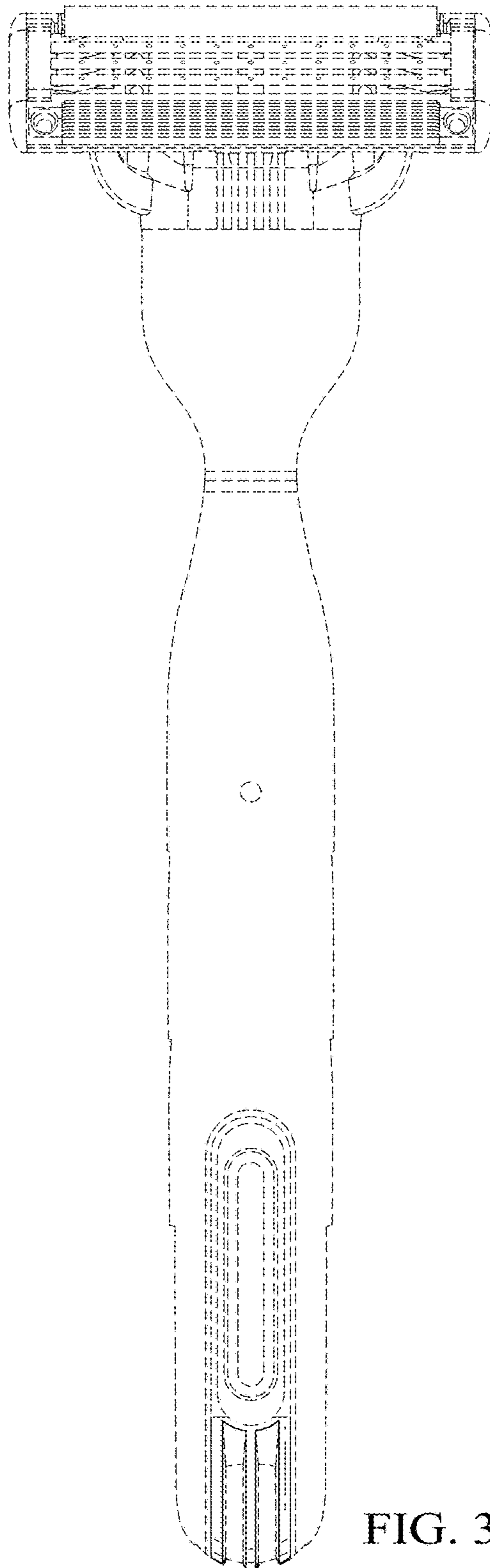


FIG. 3



FIG. 4



FIG. 5

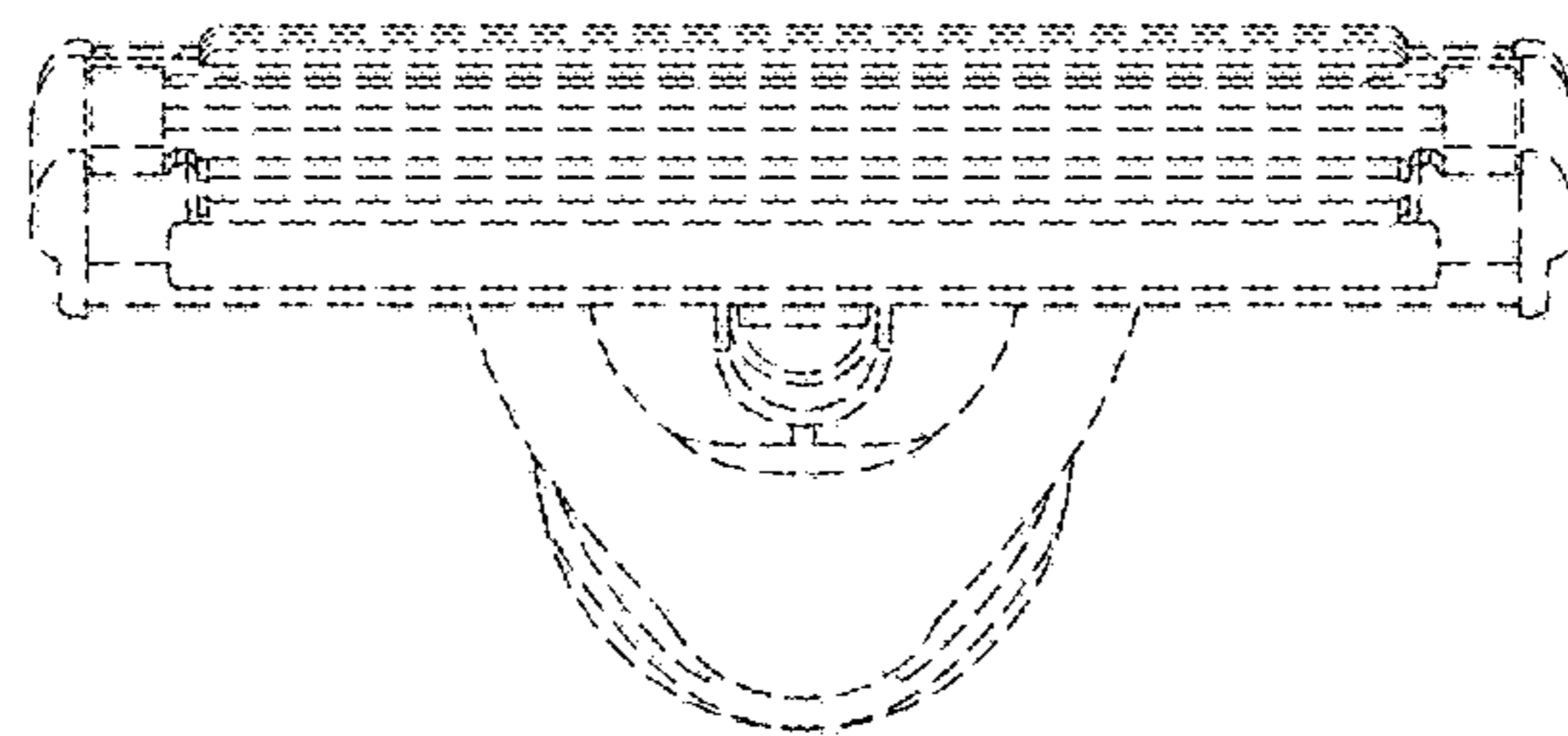


FIG. 6

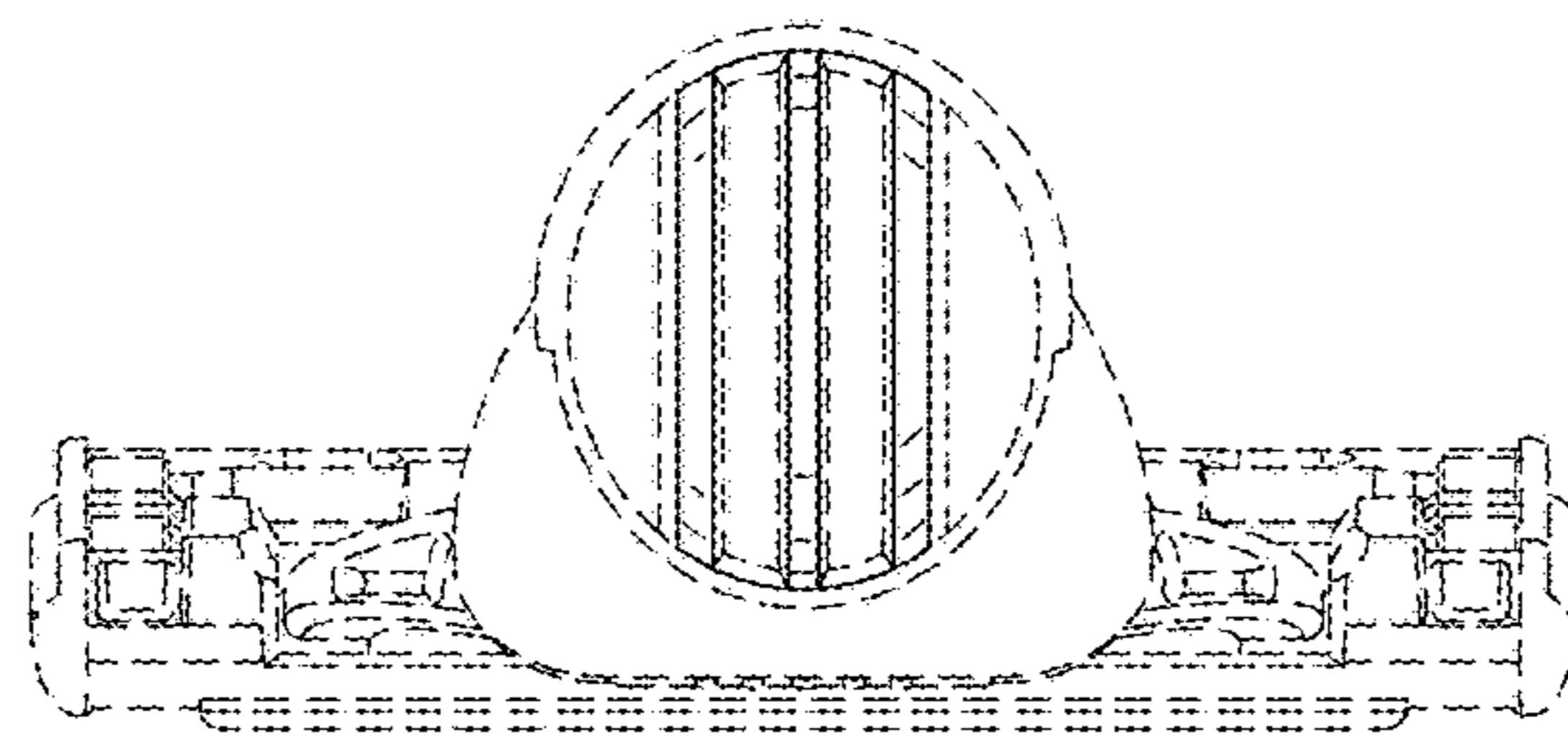


FIG. 7