



US00D813454S

(12) **United States Design Patent**
Jenkins

(10) **Patent No.:** **US D813,454 S**
(45) **Date of Patent:** **** Mar. 20, 2018**

(54) **COMBINED HAIR EXTENSION AND HAIR TOOL HOLDER**

(71) Applicant: **Terrence Jenkins**, Dunedin, FL (US)

(72) Inventor: **Terrence Jenkins**, Dunedin, FL (US)

(73) Assignee: **Terrence Cordell Jenkins**, Dunedin, FL (US)

(**) Term: **15 Years**

(21) Appl. No.: **29/576,885**

(22) Filed: **Sep. 7, 2016**

(51) **LOC (11) Cl.** **28-03**

(52) **U.S. Cl.**
USPC **D28/10; D28/73; D28/9**

(58) **Field of Classification Search**
USPC D28/9, 10, 73, 93; D6/680.2, 682.4
CPC A45D 44/14-44/16; A45D 44/02-44/04
See application file for complete search history.

(56) **References Cited**

U.S. PATENT DOCUMENTS

7,159,728	B2 *	1/2007	Smith	A45D 44/14 211/115
7,165,689	B2 *	1/2007	McDaniel	A47B 96/061 211/116
7,775,377	B2 *	8/2010	Abney	A45D 44/06 211/13.1
8,998,002	B1 *	4/2015	Milner	A47F 7/065 211/13.1
D778,501	S *	2/2017	Tokko	D28/10

2005/0109367	A1 *	5/2005	Smith	A45D 44/14 132/333
2005/0247836	A1 *	11/2005	Park	F16B 12/32 248/214
2006/0289368	A1 *	12/2006	Abney	A47F 7/065 211/13.1
2009/0008347	A1 *	1/2009	Bell	A45D 44/02 211/61
2014/0191634	A1 *	7/2014	Smiley	A47F 7/065 312/209
2015/0257515	A1 *	9/2015	Bernard	A45D 44/02 211/33

* cited by examiner

Primary Examiner — Jennifer Rivard

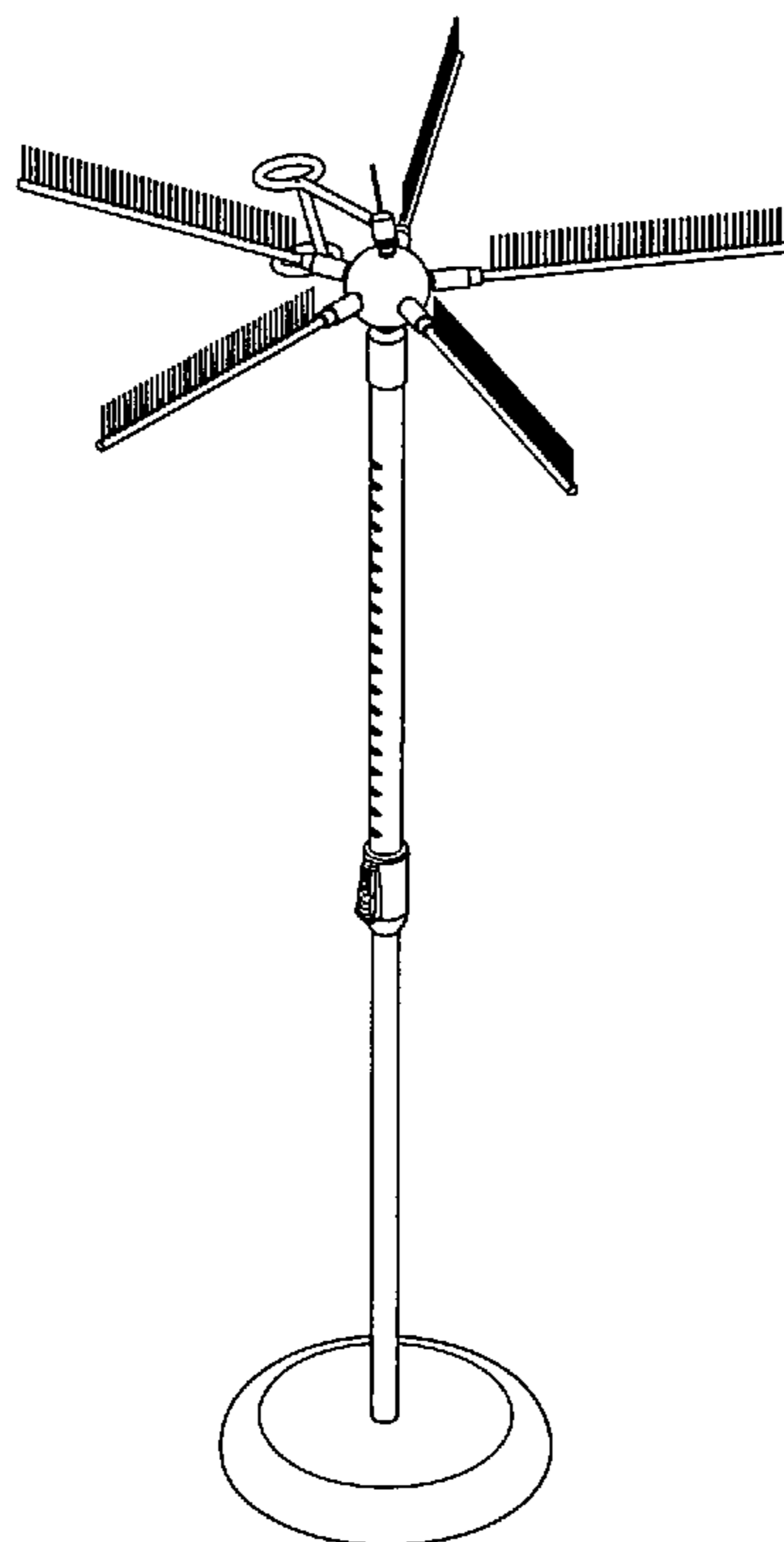
(57) **CLAIM**

I claim the ornamental design for a combined hair extension and hair tool holder, as shown and described.

DESCRIPTION

FIG. 1 is an isometric view of the combined hair extension and hair tool holder in its entirety of the present invention; FIG. 2 is an additional isometric view thereof; FIG. 3 is a front elevation view thereof; FIG. 4 is a left side elevation view thereof; FIG. 5 is a back elevation view thereof; FIG. 6 is a right side elevation view thereof; FIG. 7 is a top plan view thereof; and, FIG. 8 is a bottom plan view thereof.

1 Claim, 8 Drawing Sheets



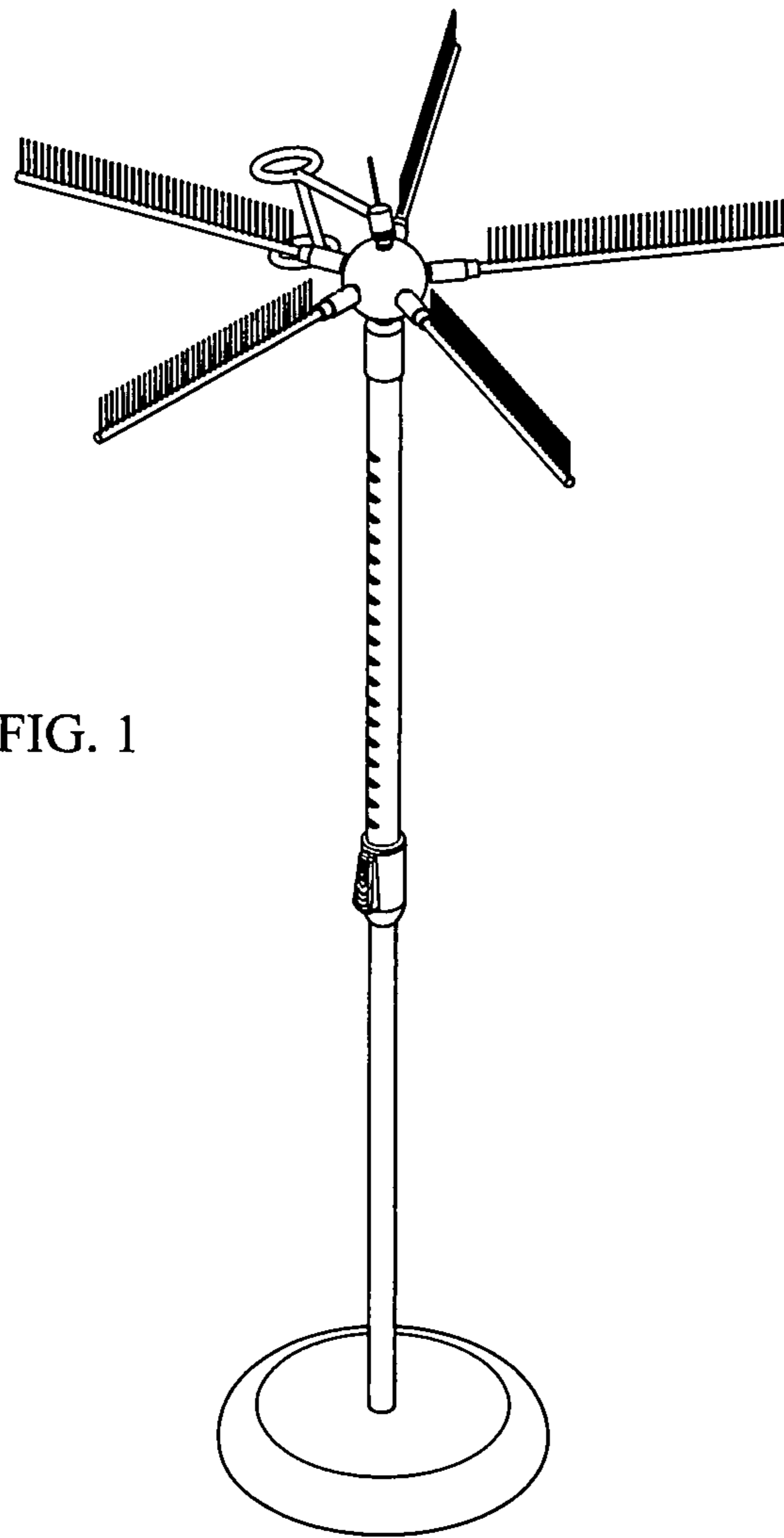


FIG. 1

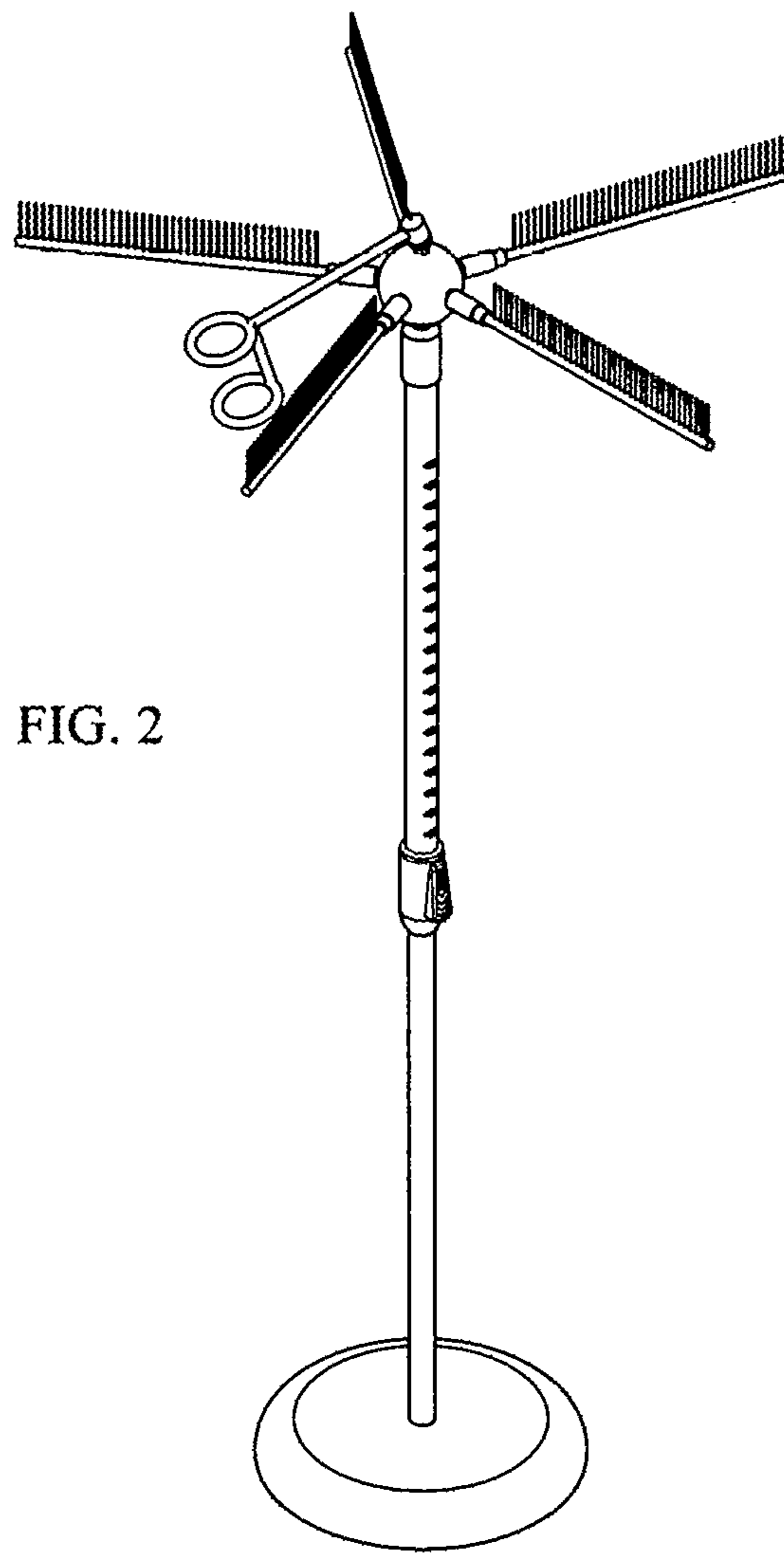


FIG. 2

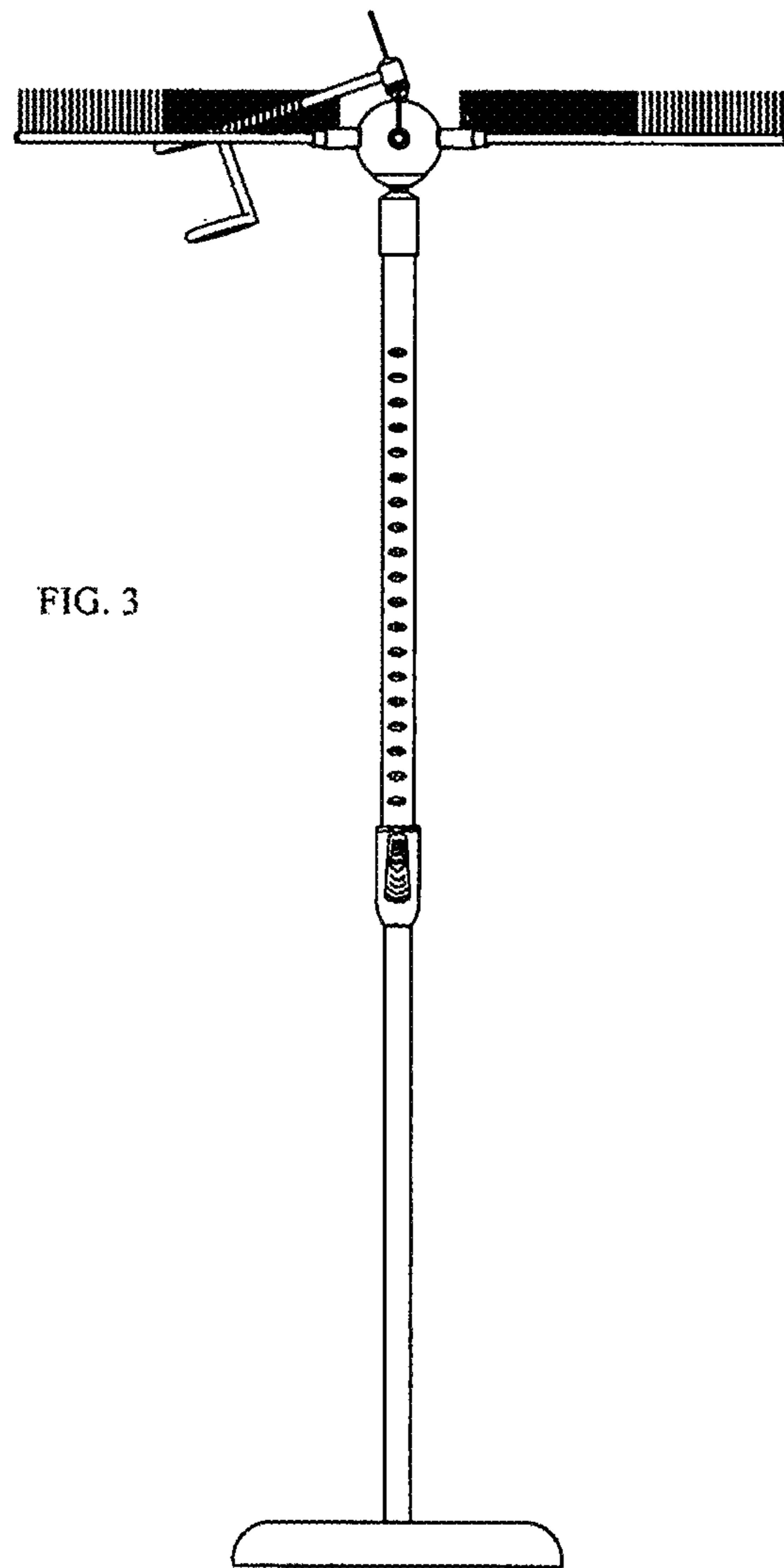


FIG. 3

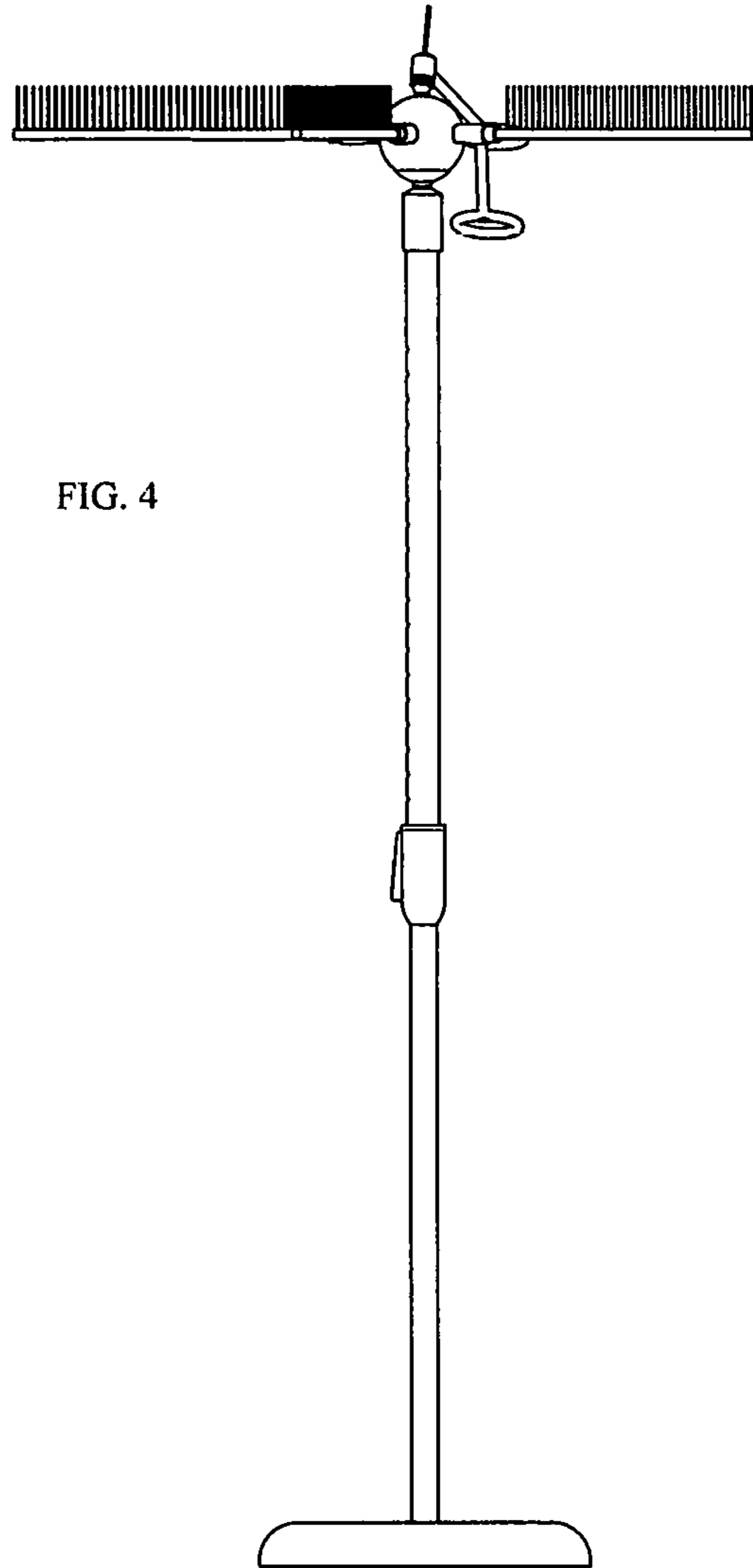


FIG. 4

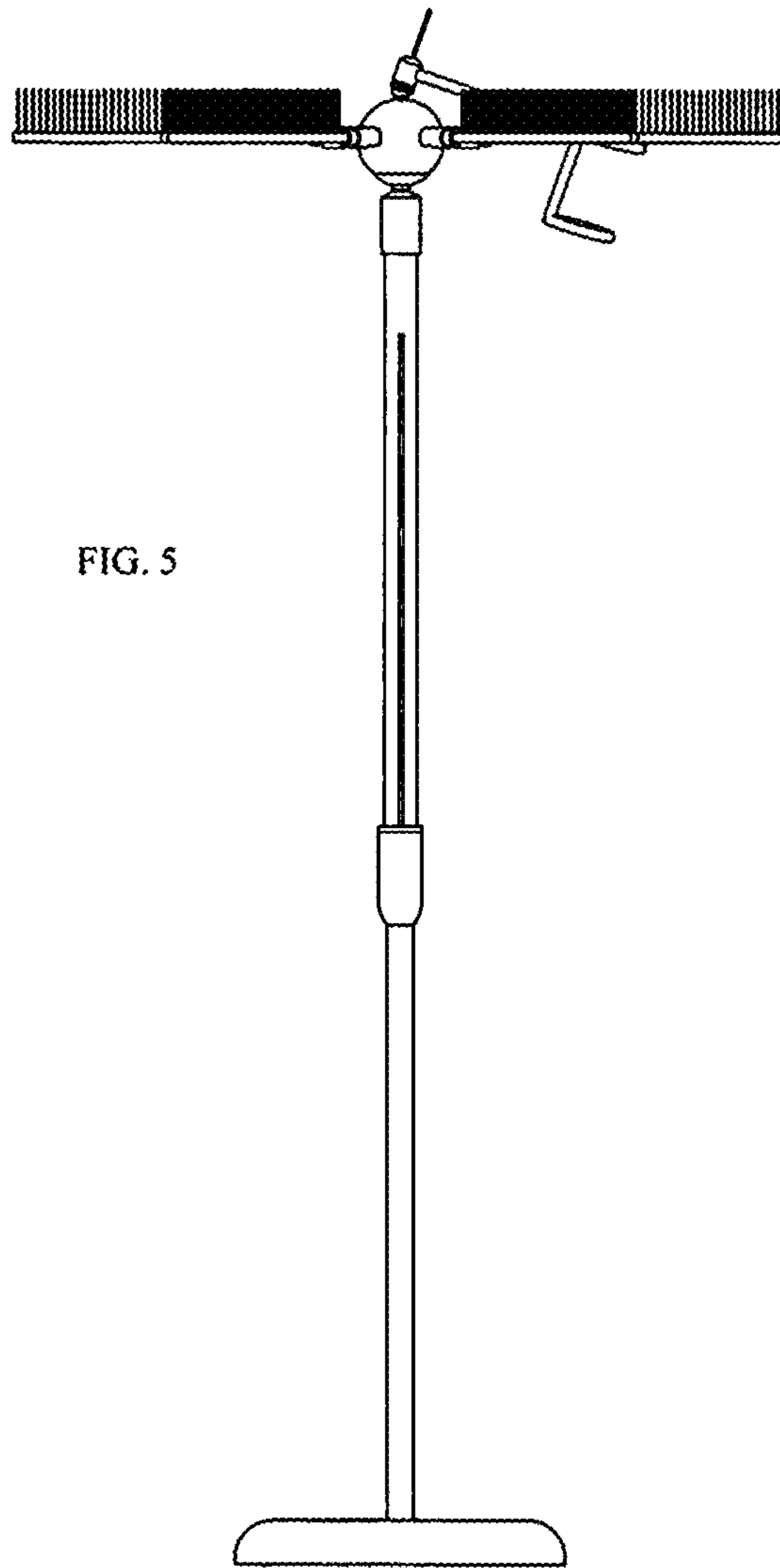


FIG. 5

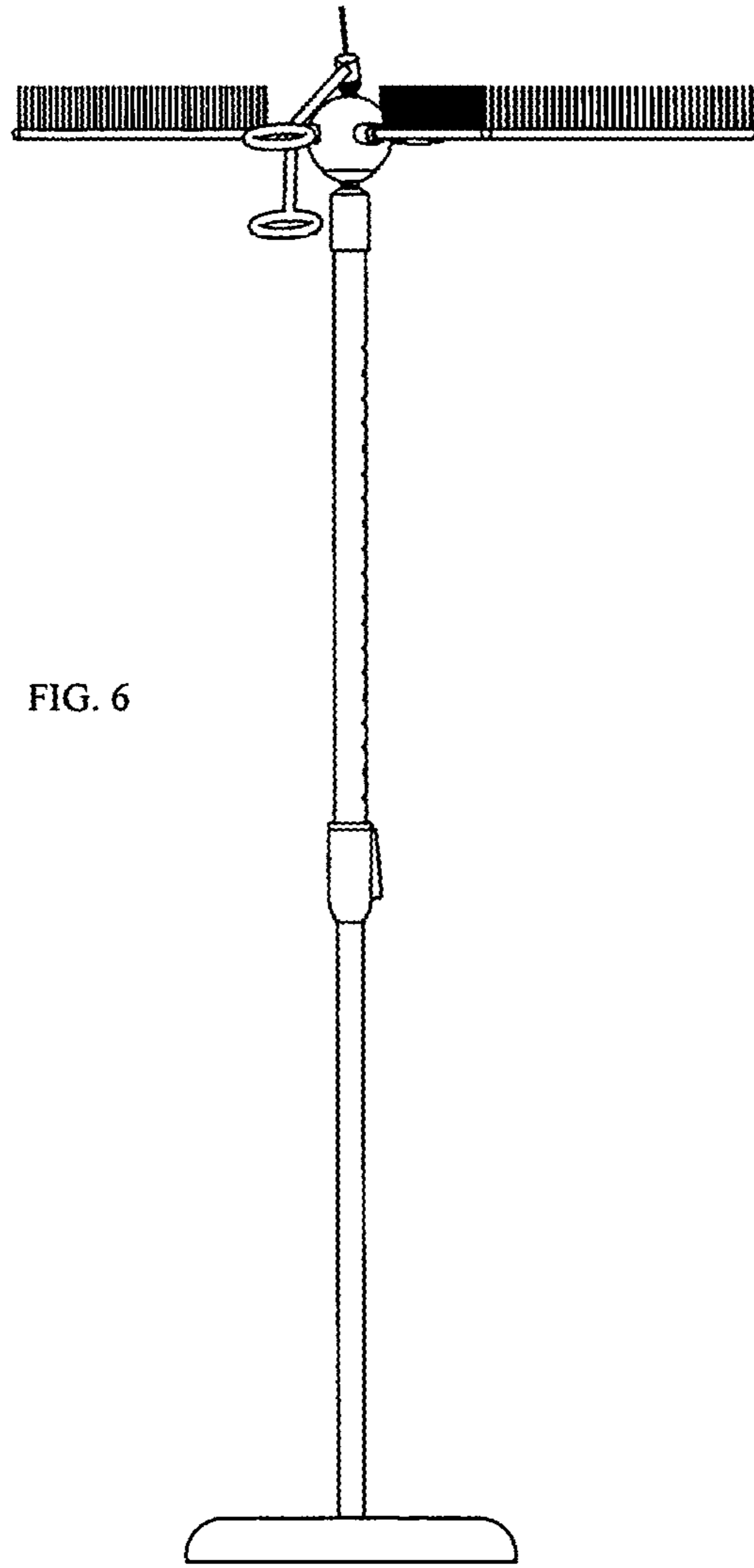


FIG. 6

FIG. 7

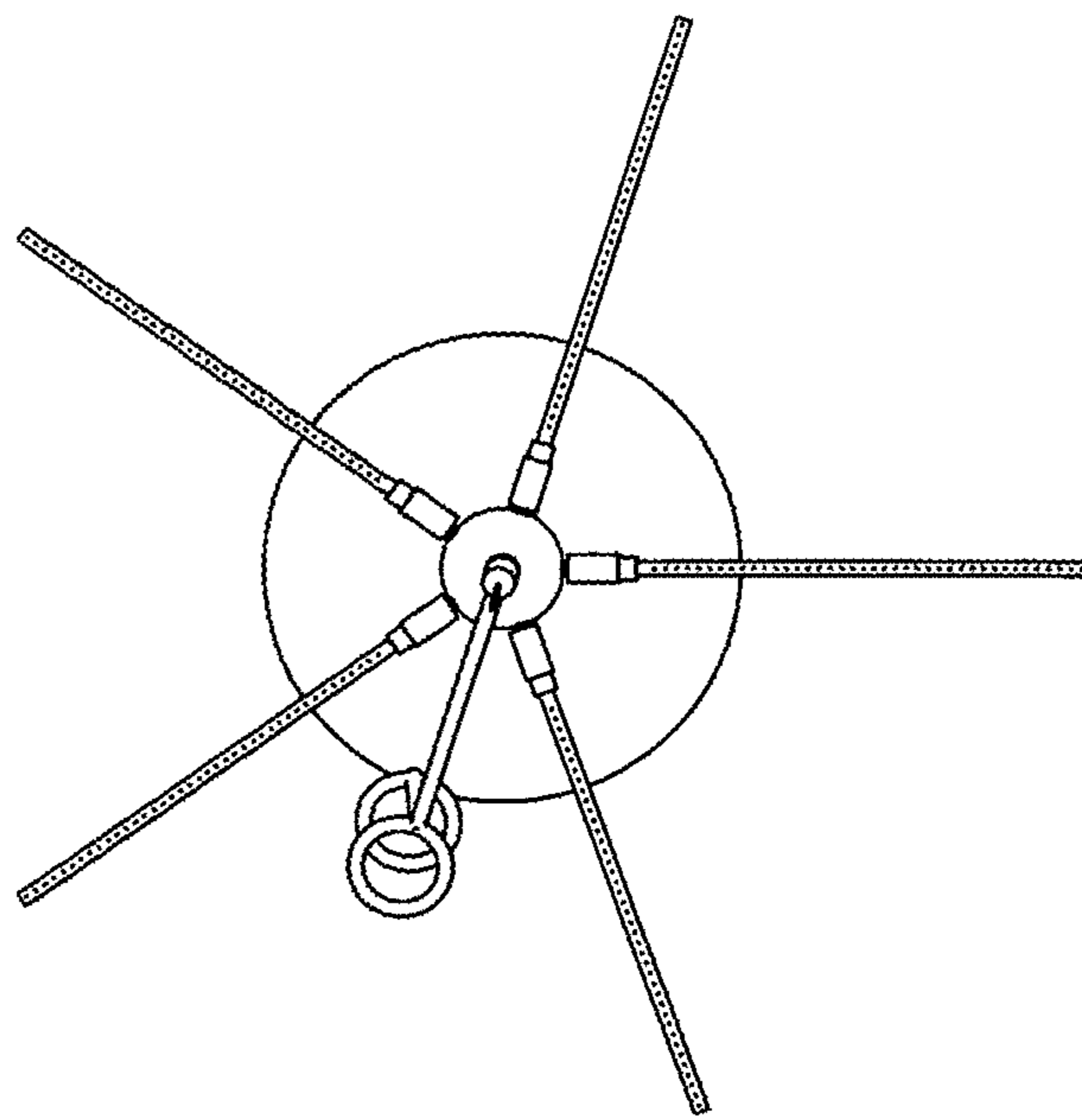


FIG. 8

