



US00D813453S

(12) **United States Design Patent**
Oh

(10) **Patent No.:** **US D813,453 S**
(45) **Date of Patent:** **** Mar. 20, 2018**

(54) **DIE FOR MANUFACTURING SKIN CARE PATCH**

(71) Applicant: **Han Sun Oh**, Chungcheongbuk-do (KR)

(72) Inventor: **Han Sun Oh**, Chungcheongbuk-do (KR)

(**) Term: **15 Years**

(21) Appl. No.: **29/567,122**

(22) Filed: **Jun. 6, 2016**

(30) **Foreign Application Priority Data**

Jan. 6, 2016 (KR) 30-2016-0000388

(51) **LOC (11) Cl.** **28-03**

(52) **U.S. Cl.**
USPC **D28/9; D15/136**

(58) **Field of Classification Search**
USPC D28/7, 9; D15/135-136, 127-128
CPC ... B29C 43/40; B29C 43/50; B29C 2043/503;
A45D 44/00; A45D 44/002
See application file for complete search history.

(56) **References Cited**

U.S. PATENT DOCUMENTS

- 8,348,441 B1 * 1/2013 Skelton B29D 11/00596
359/838
- D734,892 S * 7/2015 Sato D28/7
- 2005/0217688 A1 * 10/2005 Liu A45D 40/262
132/216
- 2006/0094598 A1 * 5/2006 Simon A45D 37/00
502/401

- 2012/0308619 A1 * 12/2012 Tousley A61Q 19/08
424/401
- 2013/0298931 A1 * 11/2013 Samain A45D 44/22
132/200
- 2016/0030301 A1 * 2/2016 Baracat-Nasr A61K 8/0216
264/328.1
- 2017/0259471 A1 * 9/2017 Oh A45D 44/00

FOREIGN PATENT DOCUMENTS

- CN 205704482 U * 11/2016
- JP 2006265105 A * 10/2005

* cited by examiner

Primary Examiner — Jennifer Rivard

(74) *Attorney, Agent, or Firm* — Dentons US LLP

(57) **CLAIM**

The ornamental design for a die for manufacturing skin care patch, as shown and described.

DESCRIPTION

FIG. 1 is a top perspective view of a die for manufacturing a skin care patch according to the present design; FIG. 2 is a front elevational view of the design; FIG. 3 is a rear elevational view of the design; FIG. 4 is a left elevational side view of the design; FIG. 5 is a right elevational side view of the design; FIG. 6 is a top plan view of the design; FIG. 7 is a bottom plan view of the design; and, FIG. 8 is a bottom perspective view of the design.

1 Claim, 3 Drawing Sheets

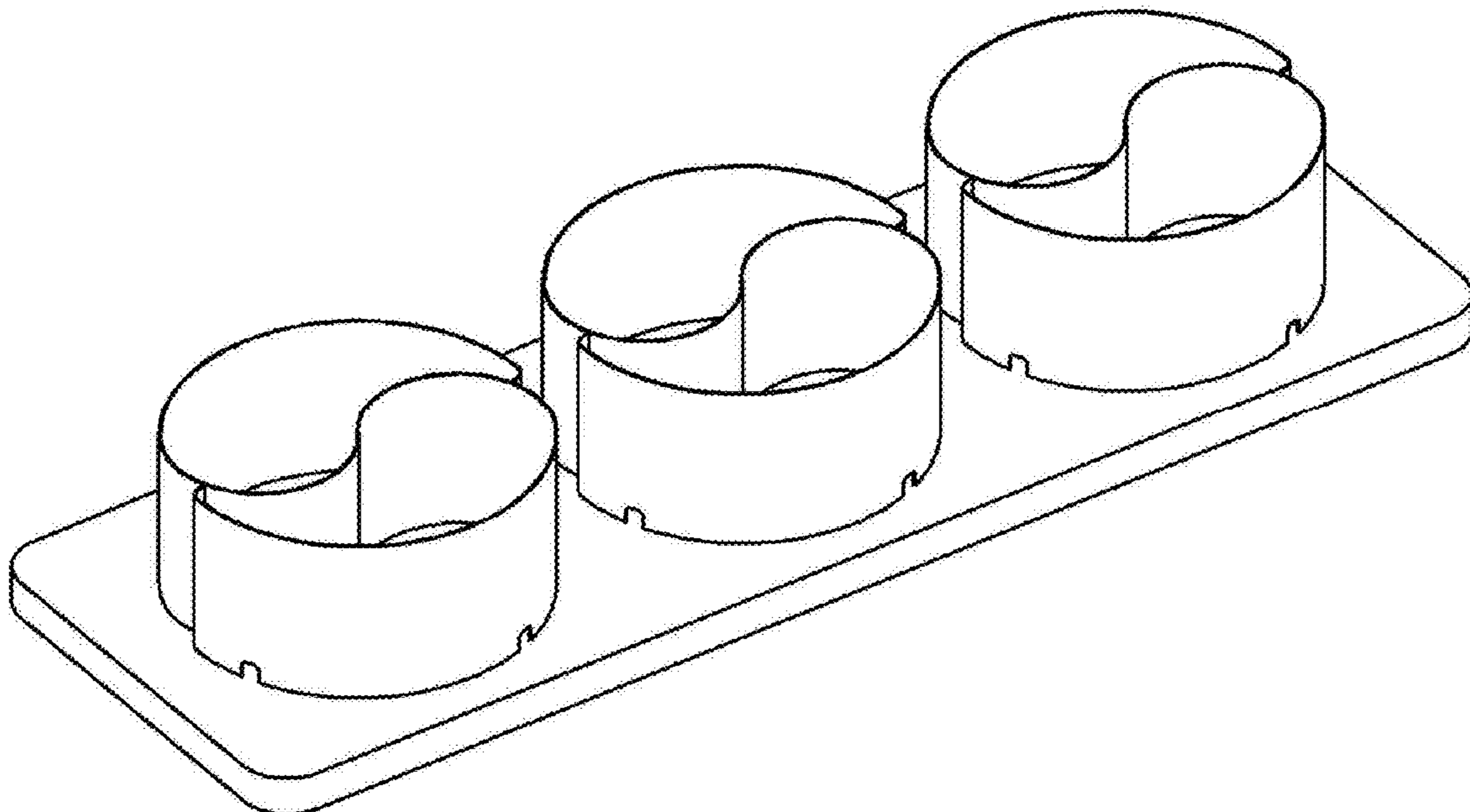


FIG. 1

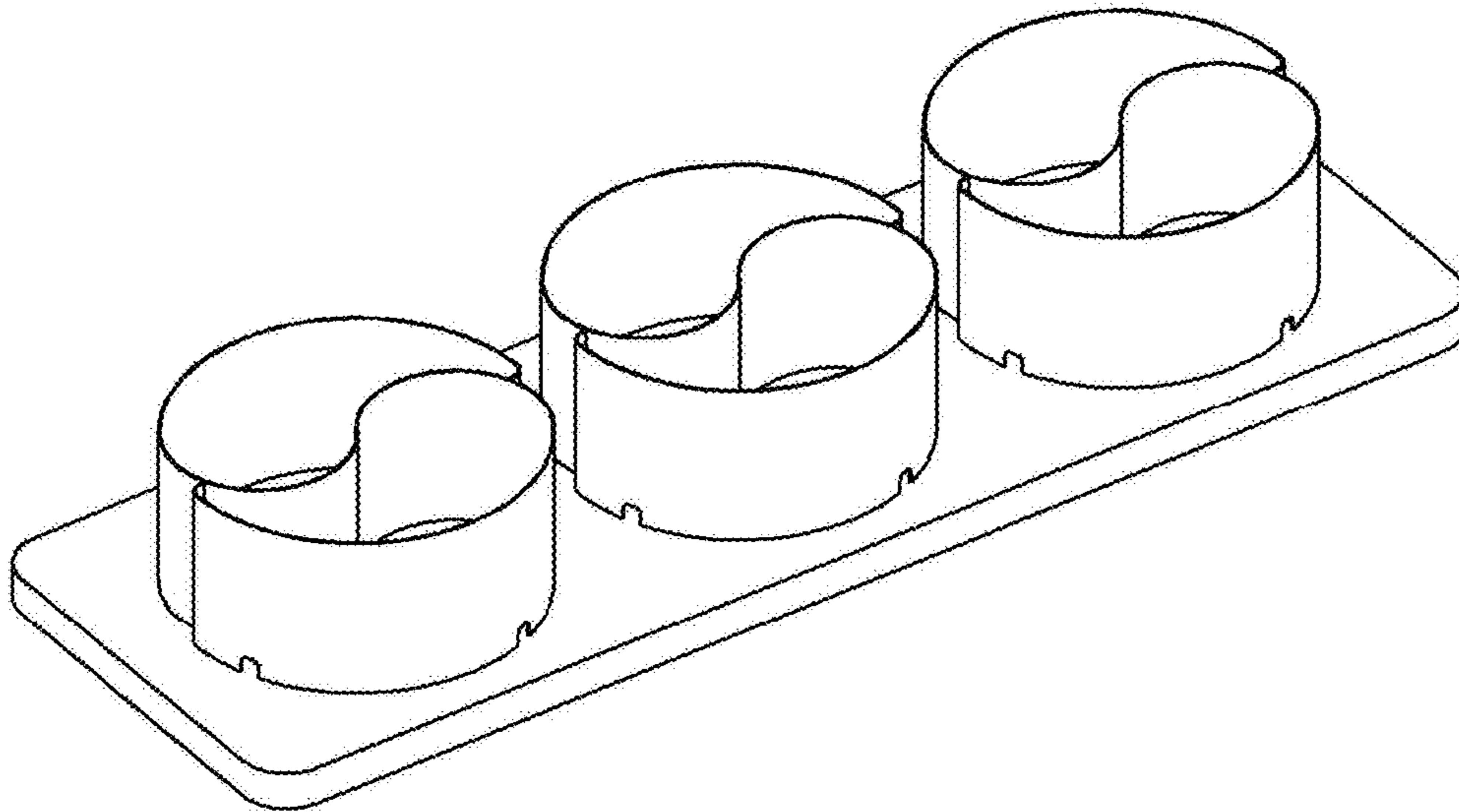


FIG. 2

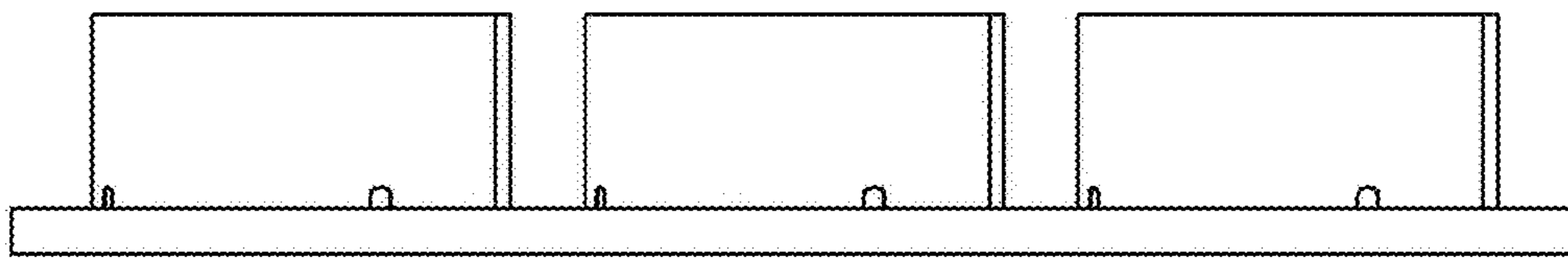


FIG. 3

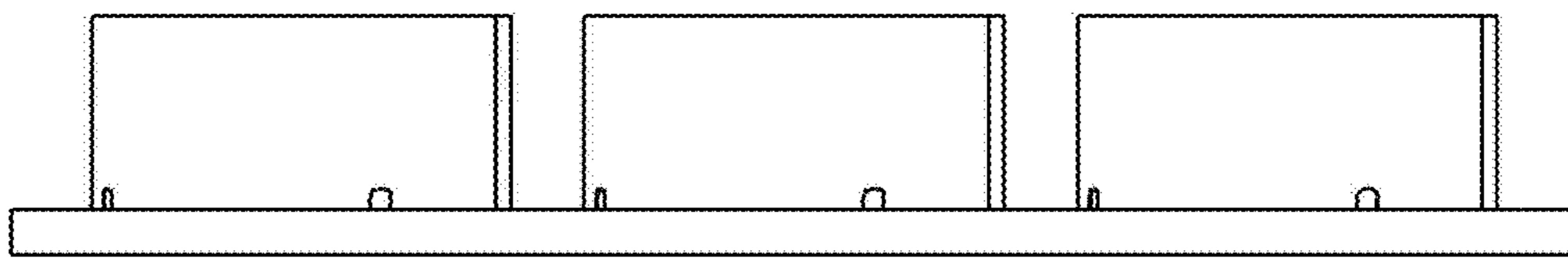


FIG. 4

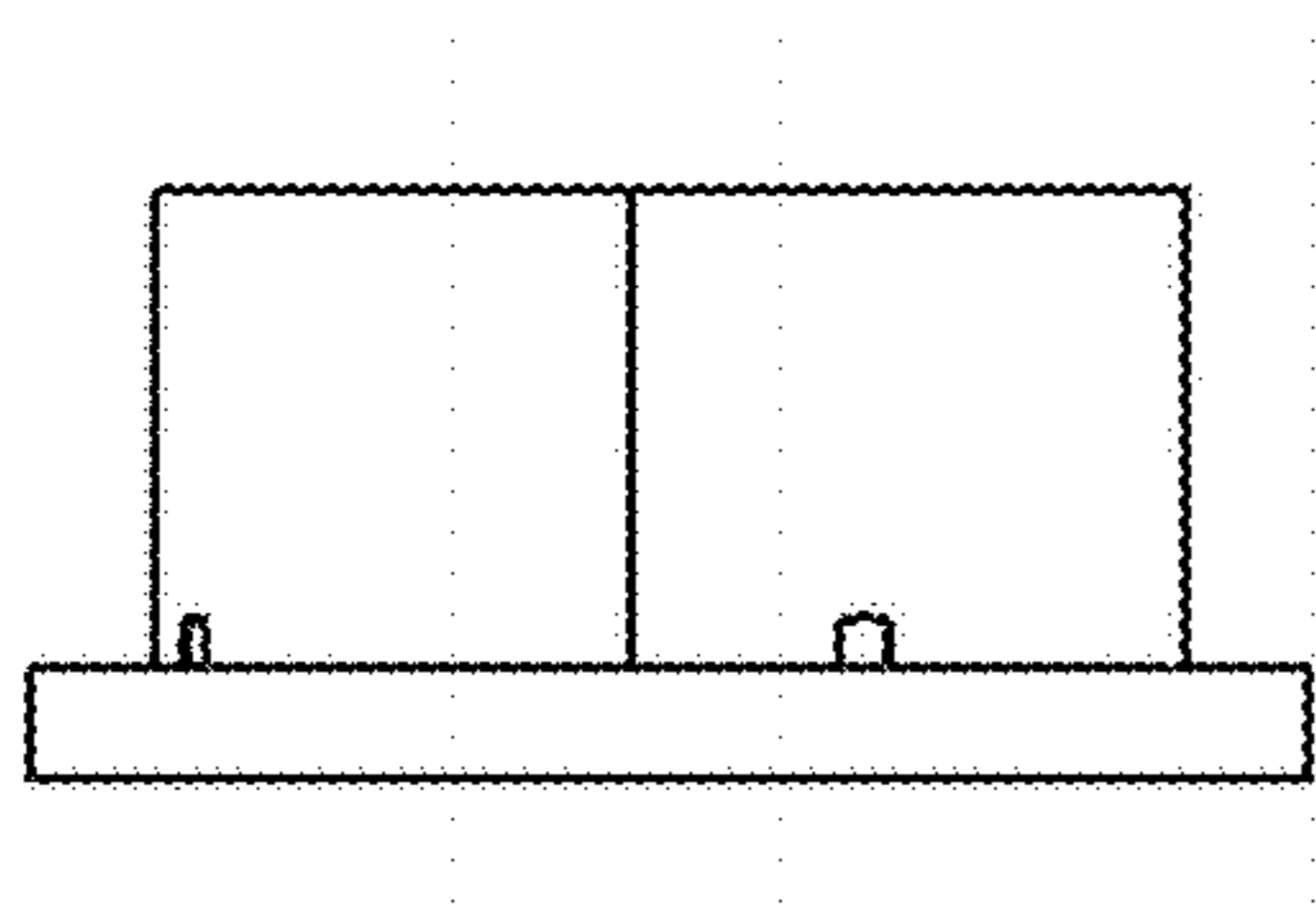


FIG. 5

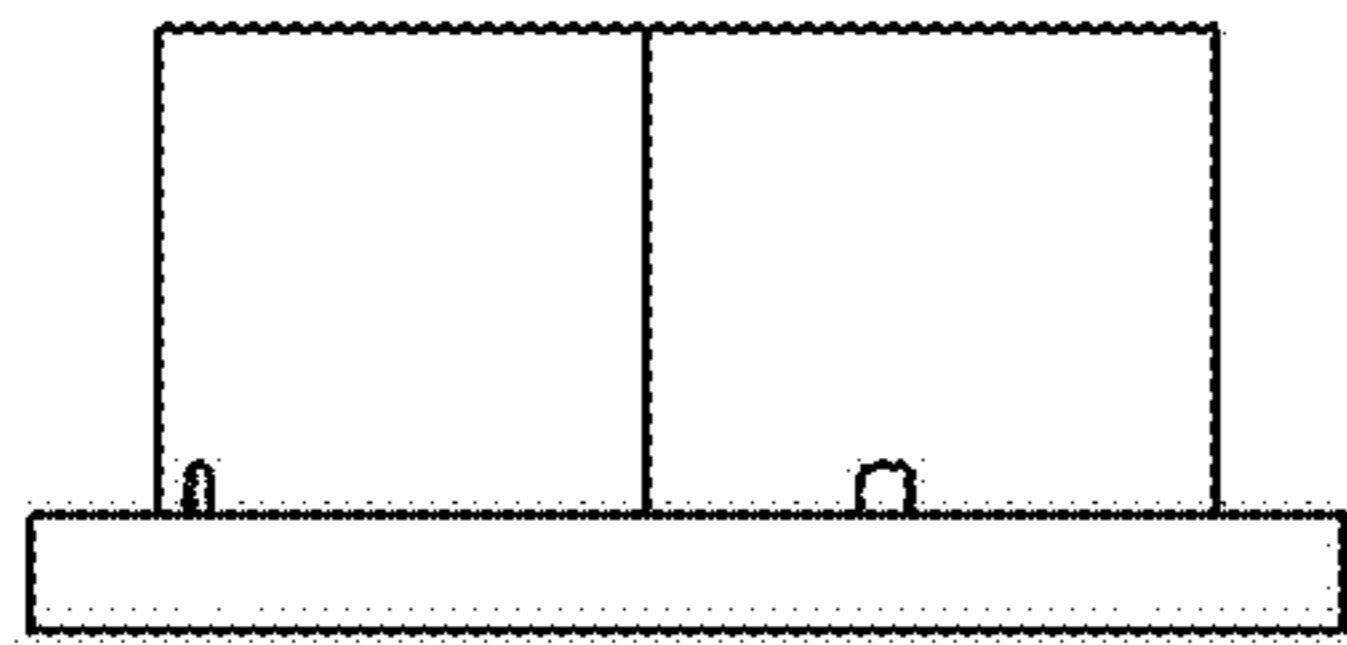


FIG. 6

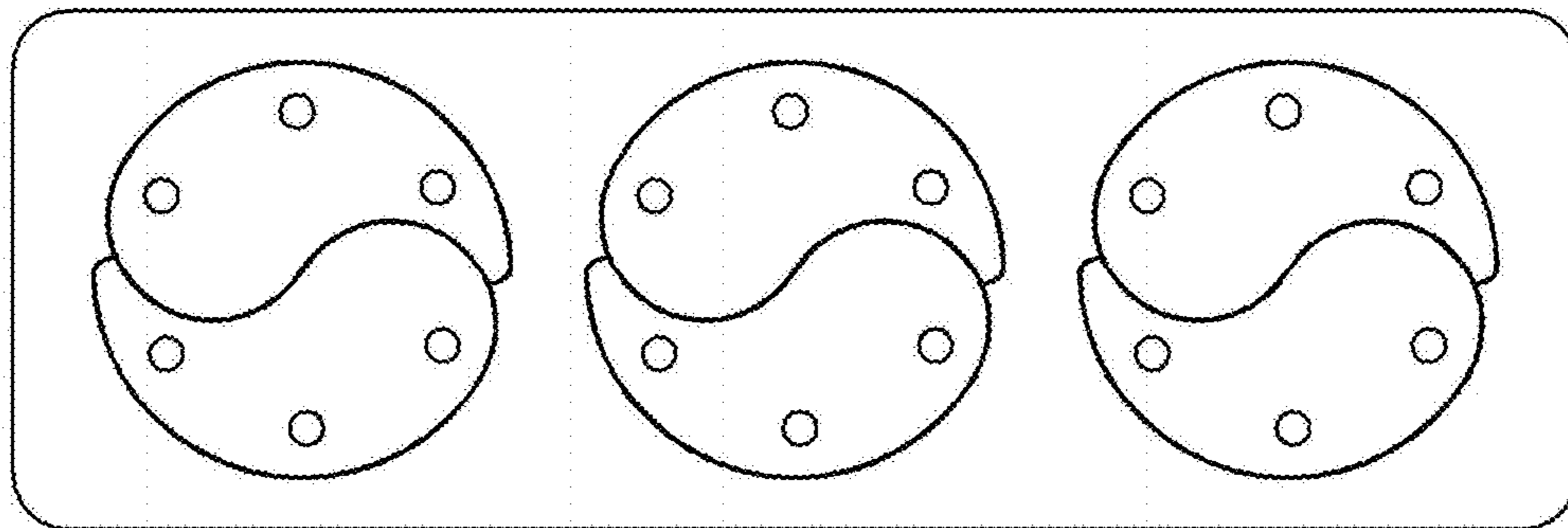
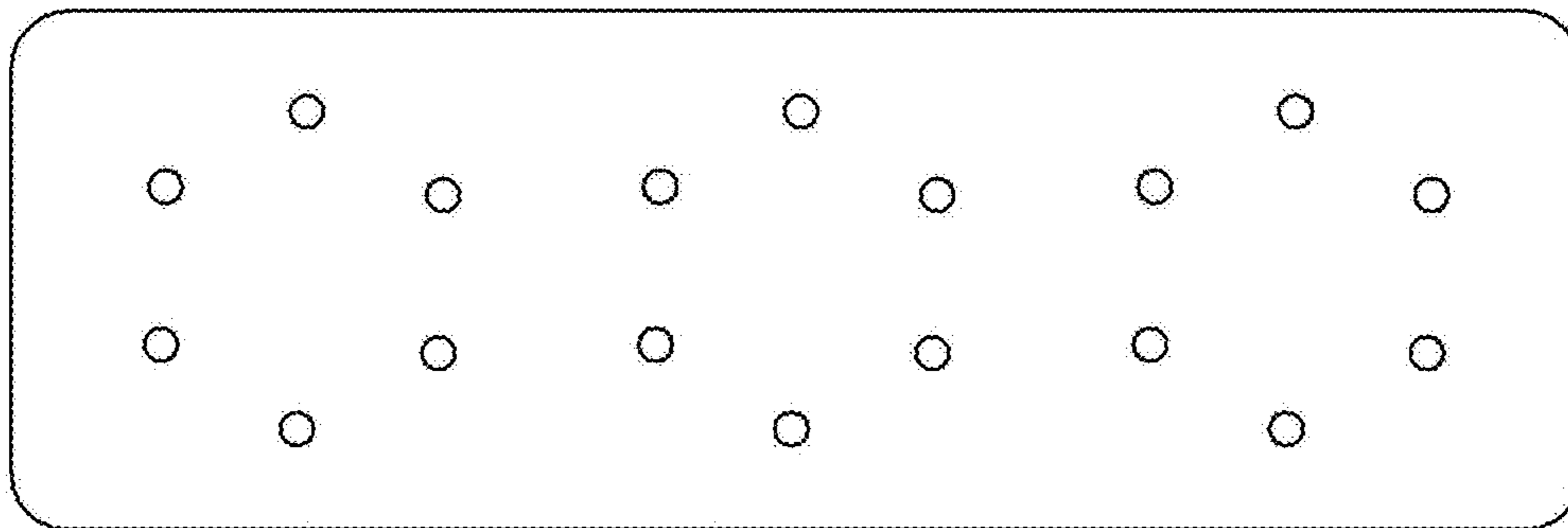


FIG. 7



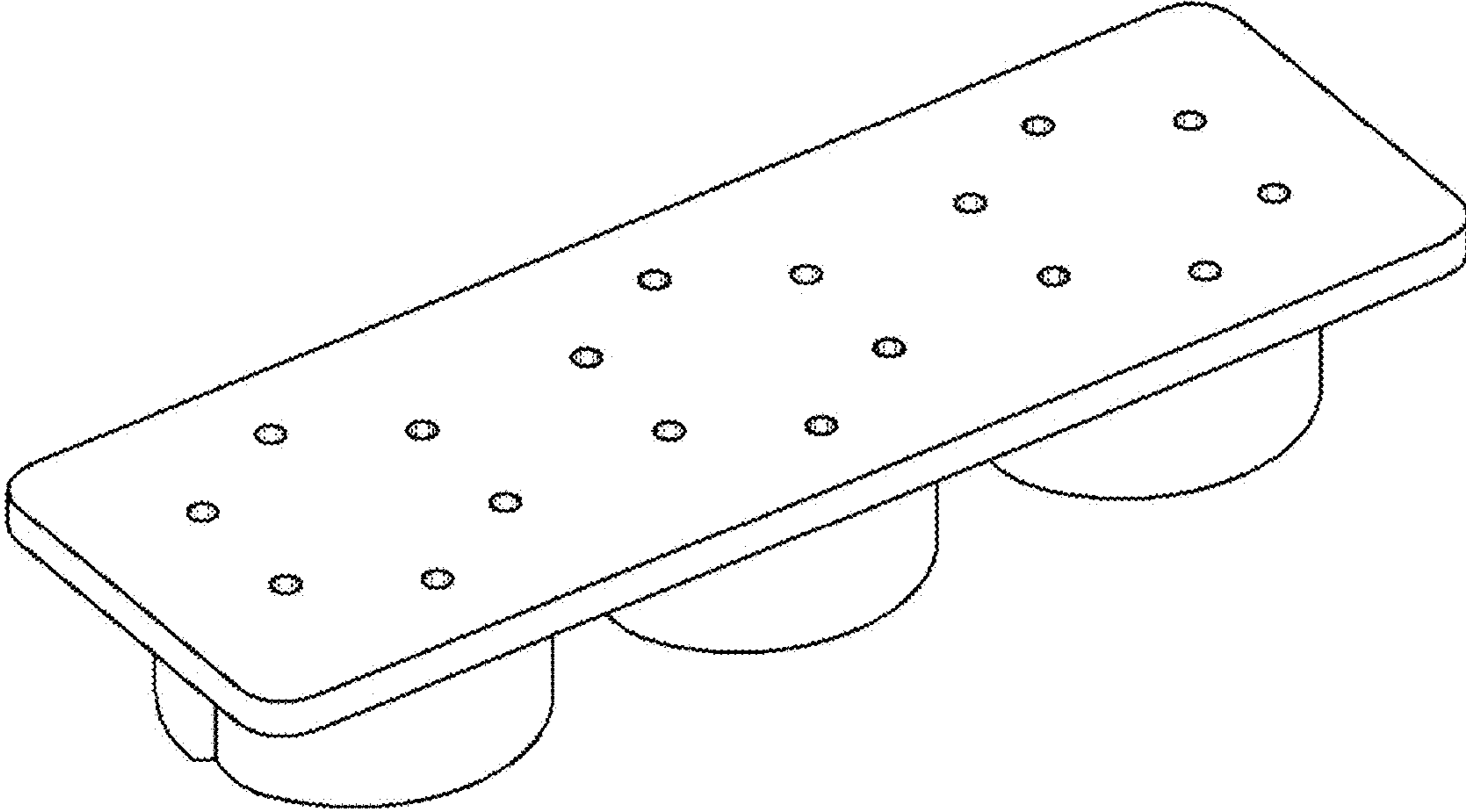


FIG. 8