



US00D813450S

(12) **United States Design Patent**  
**Nesbitt**

(10) **Patent No.:** **US D813,450 S**

(45) **Date of Patent:** **\*\* Mar. 20, 2018**

(54) **COSMETIC APPLICATOR**

(71) Applicant: **ALBEA SERVICES**, Gennevilliers  
(FR)

(72) Inventor: **Kyle Nesbitt**, Paris (FR)

(73) Assignee: **ALBEA SERVICES**, Gennevilliers  
(FR)

(\*\*) Term: **14 Years**

(21) Appl. No.: **29/516,768**

(22) Filed: **Feb. 5, 2015**

(30) **Foreign Application Priority Data**

Aug. 5, 2014 (EM) ..... 002498493-0001

(51) **LOC (11) Cl.** ..... **28-03**

(52) **U.S. Cl.**  
USPC ..... **D28/7**

(58) **Field of Classification Search**  
USPC ..... D28/7, 8, 20-22, 30-31, 76, 85, 99;  
132/108, 202, 208, 317.32; D24/110;  
D9/729

CPC ..... A45D 34/04  
See application file for complete search history.

(56) **References Cited**

**U.S. PATENT DOCUMENTS**

5,538,161 A \* 7/1996 Koehler ..... A45D 40/04  
116/200  
D684,254 S \* 6/2013 Zuyderhoudt ..... D24/110  
D684,684 S \* 6/2013 Grunstad ..... D24/110

D724,444 S \* 3/2015 Chavarria ..... D9/729  
D733,287 S \* 6/2015 Bilgic ..... D24/110  
D737,425 S \* 8/2015 Wiczorek ..... D24/110  
D739,522 S \* 9/2015 Von Schuckmann ..... D24/110  
D745,660 S \* 12/2015 Gruntad ..... D24/110

\* cited by examiner

*Primary Examiner* — Zenia Bennett

(74) *Attorney, Agent, or Firm* — Blank Rome LLP

(57) **CLAIM**

The ornamental design for cosmetic applicator, as shown and described.

**DESCRIPTION**

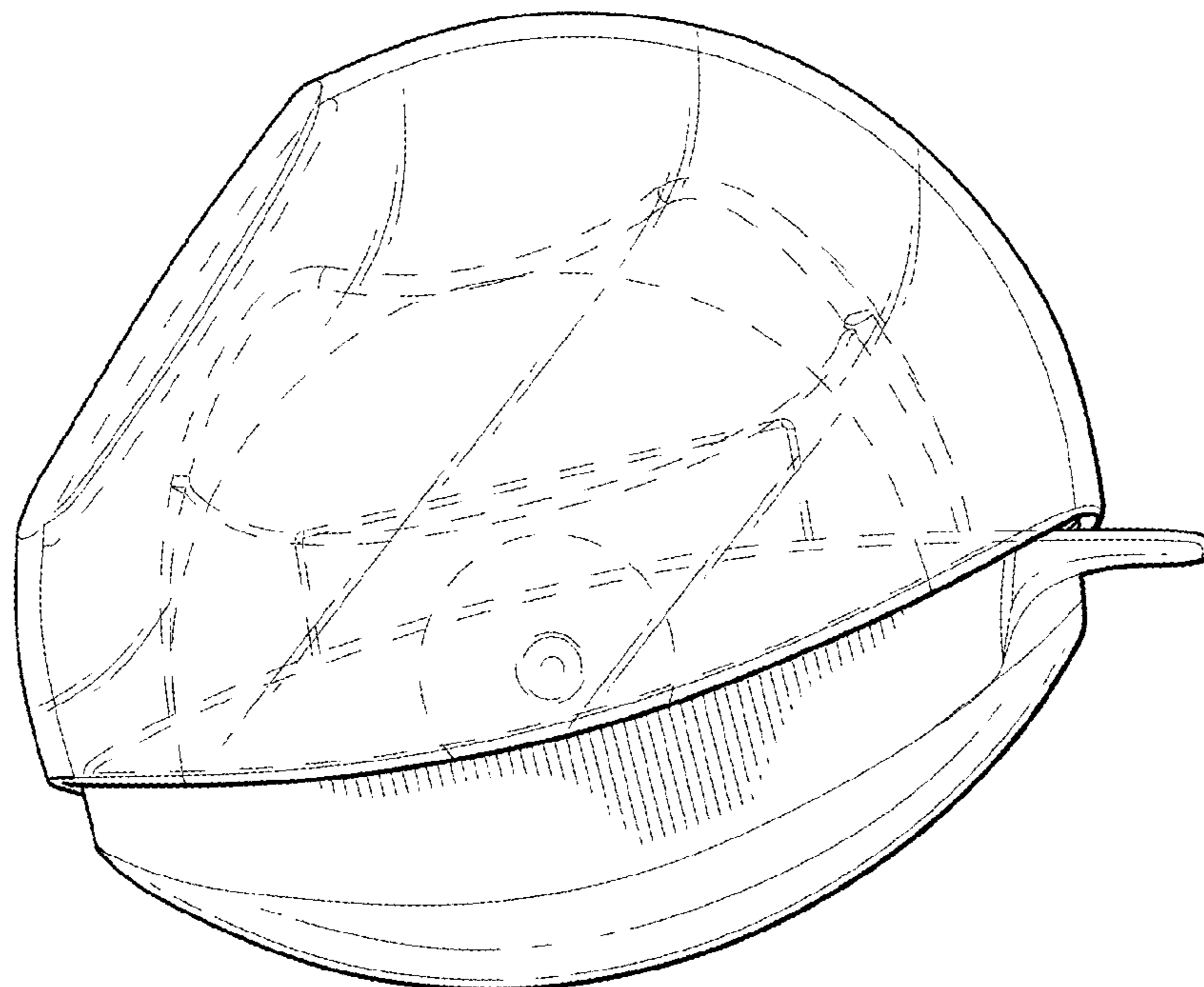
FIG. 1 is a perspective view of the cosmetic applicator, showing the new design;

FIG. 2 is a side view thereof; and,

FIG. 3 is another perspective view thereof.

The broken lines depicting portions of the cosmetic applicator in FIGS. 1-3 are for the purpose of illustrating environmental structure which forms no part of the claimed design.

**1 Claim, 2 Drawing Sheets**



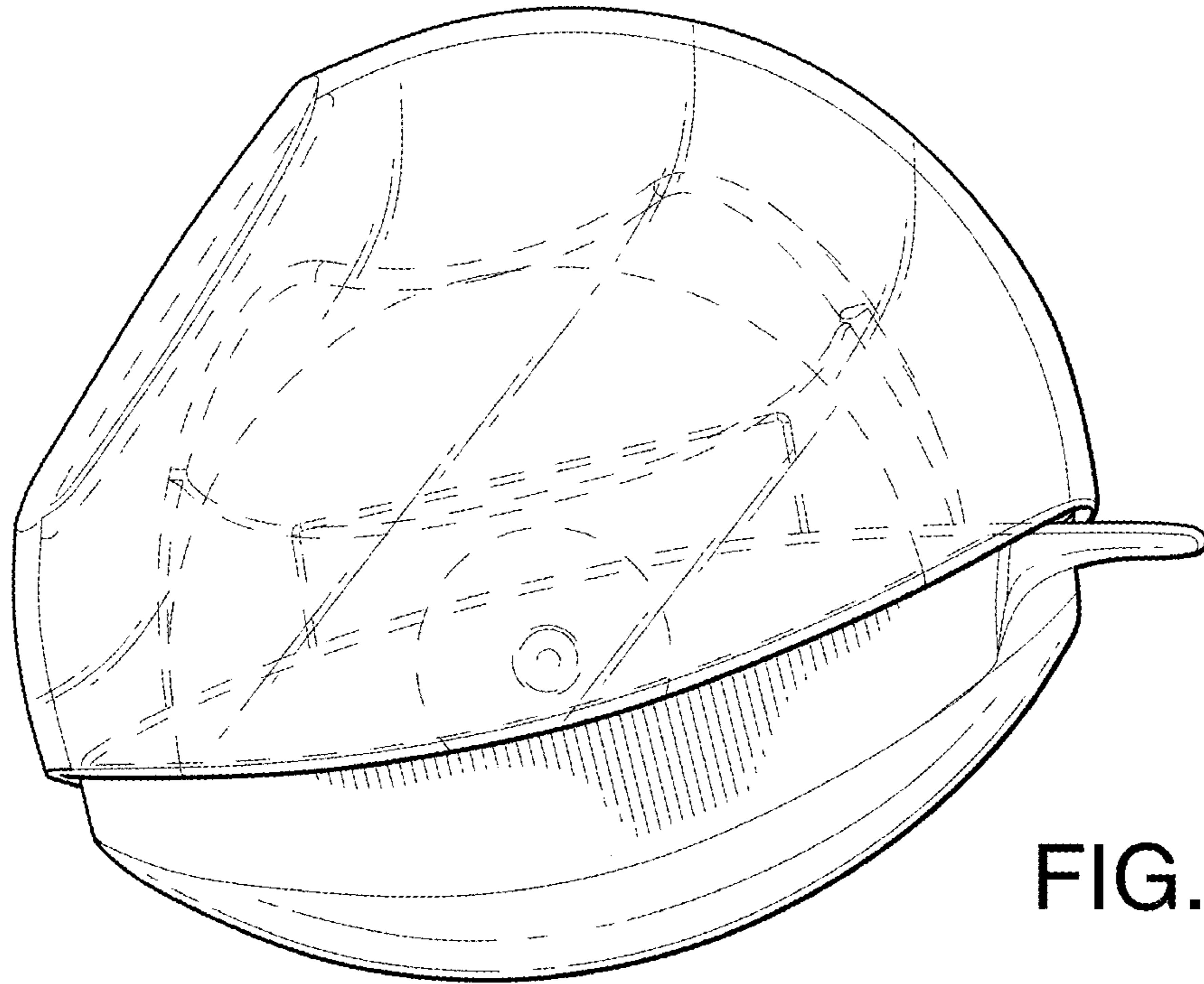


FIG. 1

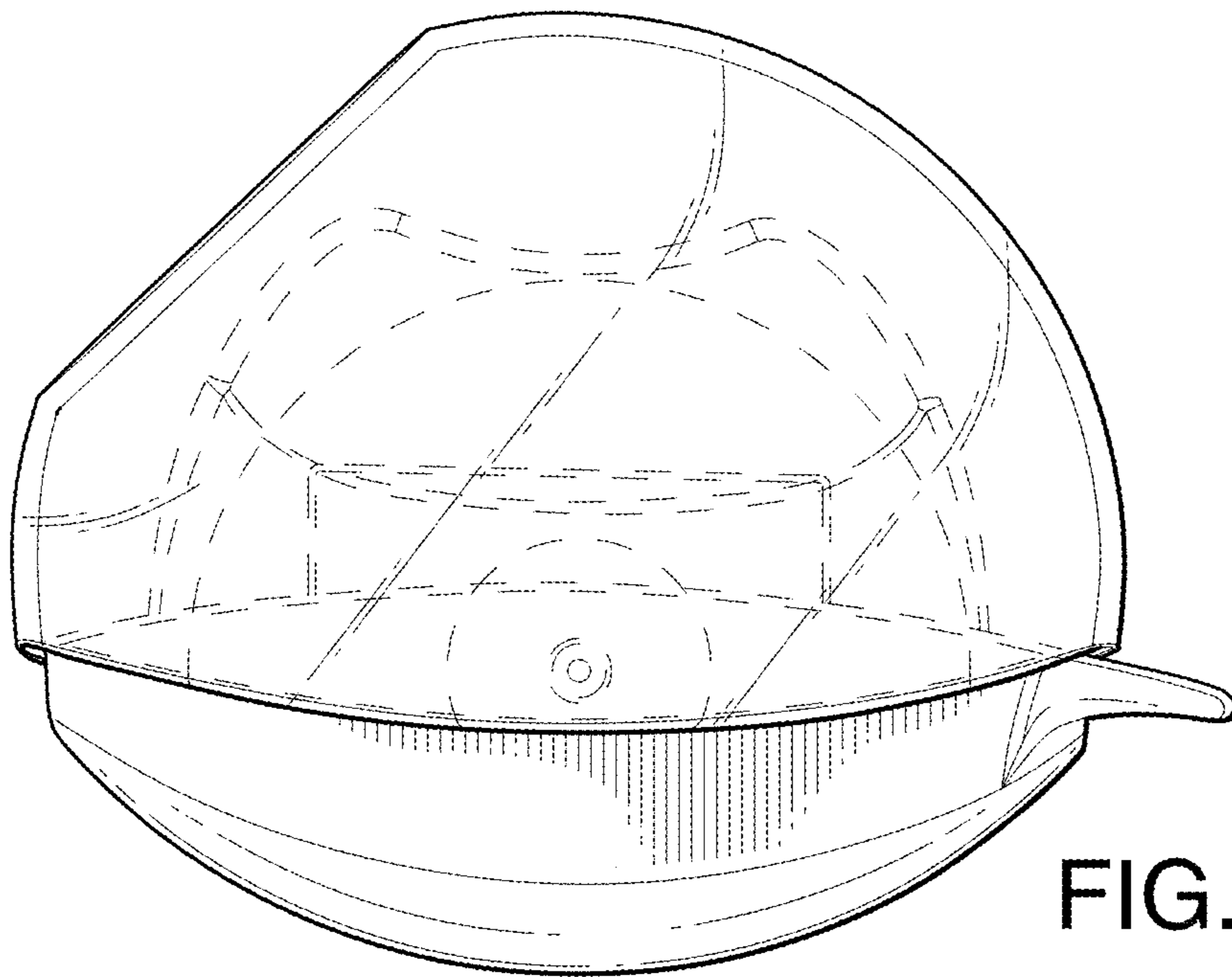


FIG. 2

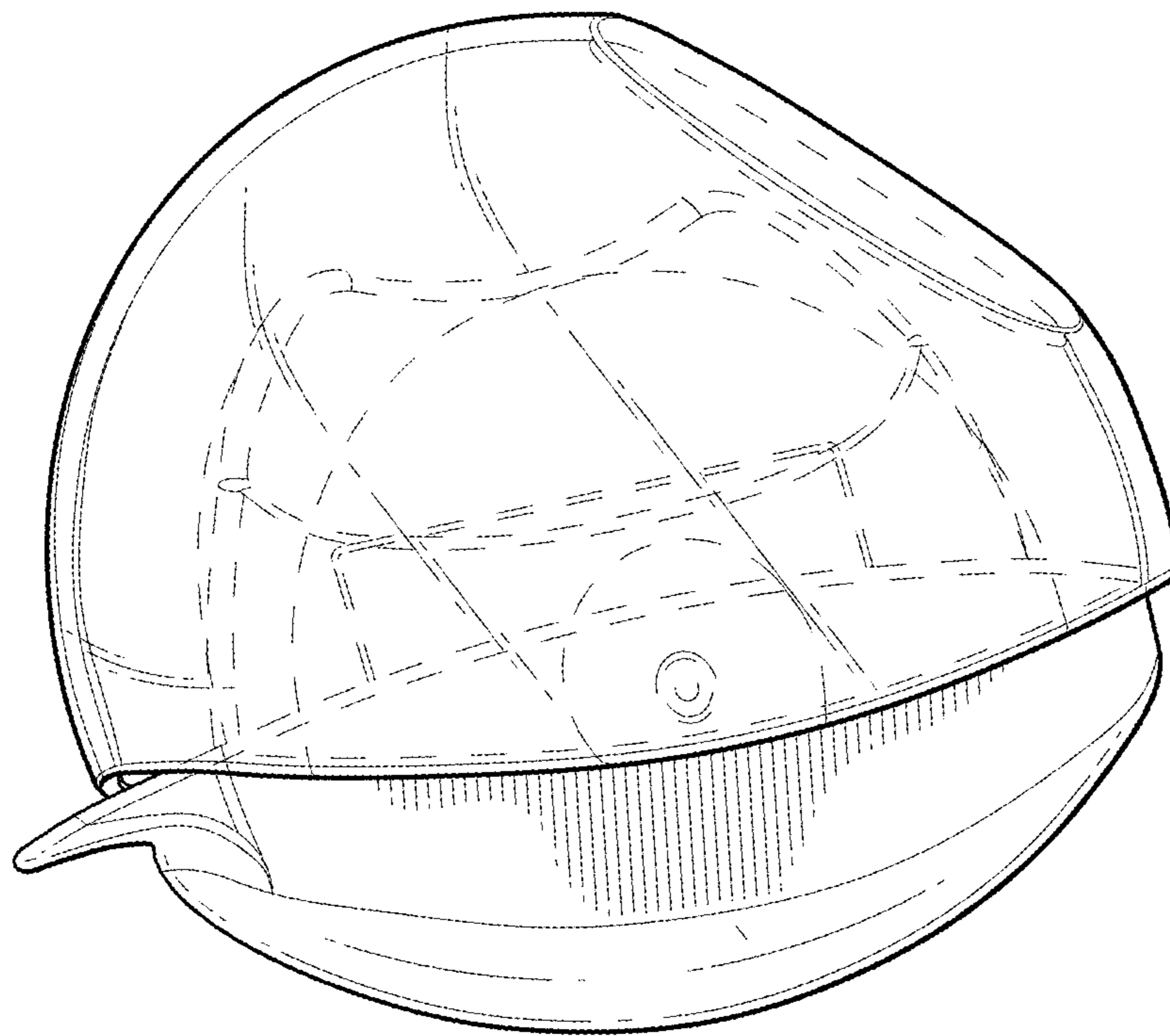


FIG. 3