



US00D813448S

(12) **United States Design Patent**
Servutas

(10) **Patent No.:** **US D813,448 S**
(45) **Date of Patent:** **** Mar. 20, 2018**

(54) **ELECTRONIC CIGARETTE CARTRIDGE**

FOREIGN PATENT DOCUMENTS

(71) Applicant: **Vitali Servutas**, Virginia Beach, VA
(US)

WO 2013/171206 A1 11/2013
WO 2016/172021 A1 10/2016

(72) Inventor: **Vitali Servutas**, Virginia Beach, VA
(US)

OTHER PUBLICATIONS

(**) Term: **15 Years**

“Anyvape Patiwtank VB,” http://www.anyvape.com/childproof-tanks/anyvape-patwitank_vb, Joyetech, Visited: Jan. 13, 2017.

(21) Appl. No.: **29/596,252**

(Continued)

(22) Filed: **Mar. 7, 2017**

Primary Examiner — Robert M. Spear

(51) **LOC (11) Cl.** **27-02**

Assistant Examiner — Marissa J Cash

(52) **U.S. Cl.**

(74) *Attorney, Agent, or Firm* — Maier & Maier, PLLC

USPC **D27/167**

(58) **Field of Classification Search**

(57) **CLAIM**

USPC D27/100, 101, 162–169, 194; D23/213,
D23/366

The ornamental design for an electronic cigarette cartridge,
as shown and described.

CPC A24F 47/008; A24F 7/04; A24F 47/002;
A24F 15/12; A24F 47/00; A24F 7/02;
H05B 6/36

See application file for complete search history.

DESCRIPTION

(56) **References Cited**

FIG. 1 is a top perspective view of an electronic cigarette cartridge;

U.S. PATENT DOCUMENTS

FIG. 2 is a front elevation view thereof;

D652,571 S * 1/2012 Shenassa D27/163

FIG. 3 is a right elevation view thereof;

D688,415 S * 8/2013 Kim D27/101

FIG. 4 is a rear elevation view thereof;

D724,782 S * 3/2015 Wu D27/101

FIG. 5 is a left elevation view thereof;

D729,441 S * 5/2015 Hua D27/101

FIG. 6 is a top plan view thereof;

9,078,473 B2 7/2015 Worm et al.

FIG. 7 is a bottom plan view thereof;

D752,280 S * 3/2016 Verleur D27/167

FIG. 8 is a perspective view thereof with environment;

D757,996 S * 5/2016 Hua D27/101

FIG. 9 is a cross-sectional view thereof from viewpoint 9-9
in FIG. 7;

D761,487 S * 7/2016 Han D27/162

FIG. 10 is an exploded view thereof; and,

D764,703 S * 8/2016 Liu D27/101

FIG. 11 is an exploded view thereof.

D769,519 S * 10/2016 Chen D27/101

The oblique line shading represents transparent surfaces.

D772,478 S * 11/2016 Liu D27/167

The broken lines showing environment and portions of the
electronic cigarette cartridge form no part of the claimed
design.

D774,247 S * 12/2016 Chen D27/101

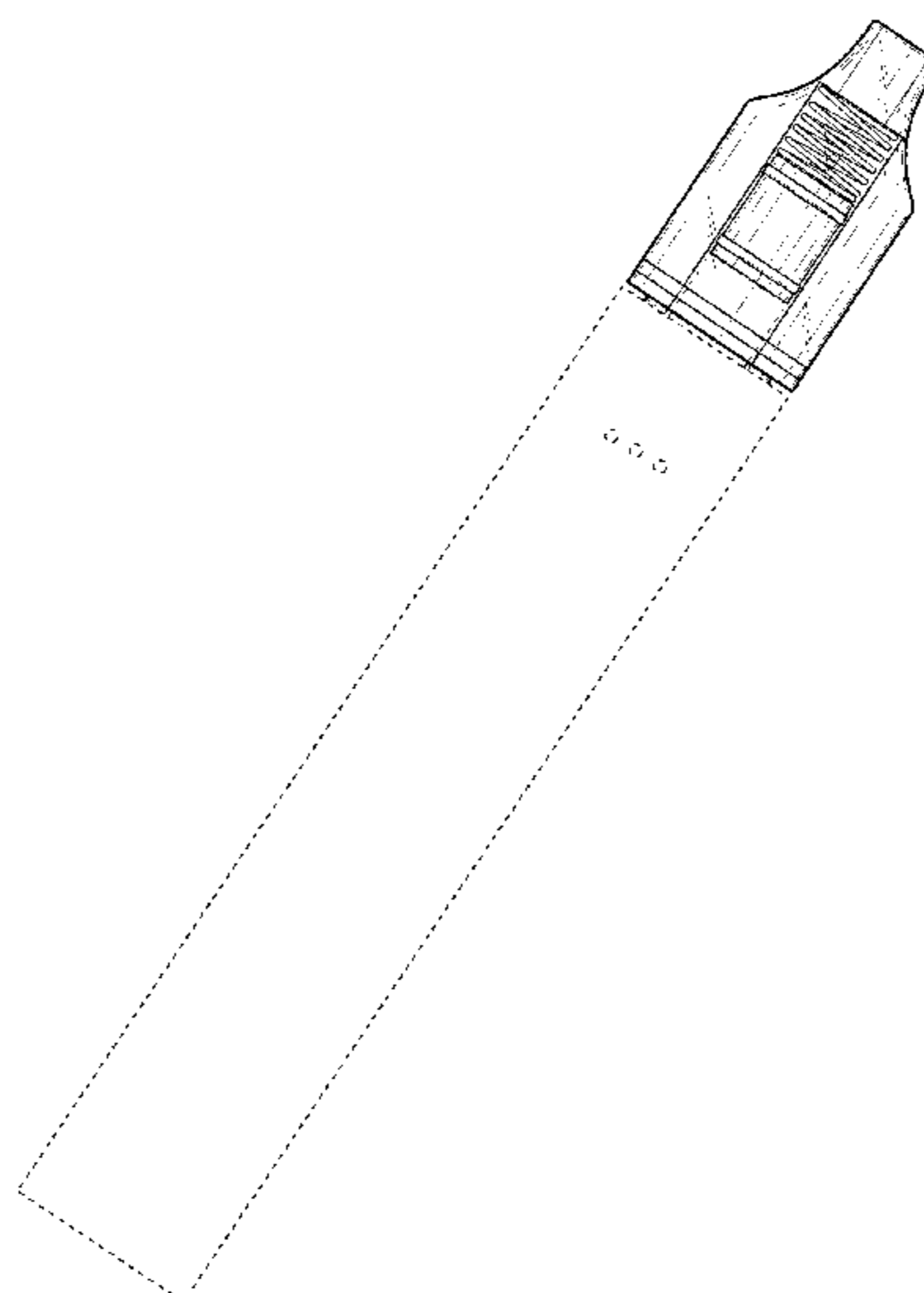
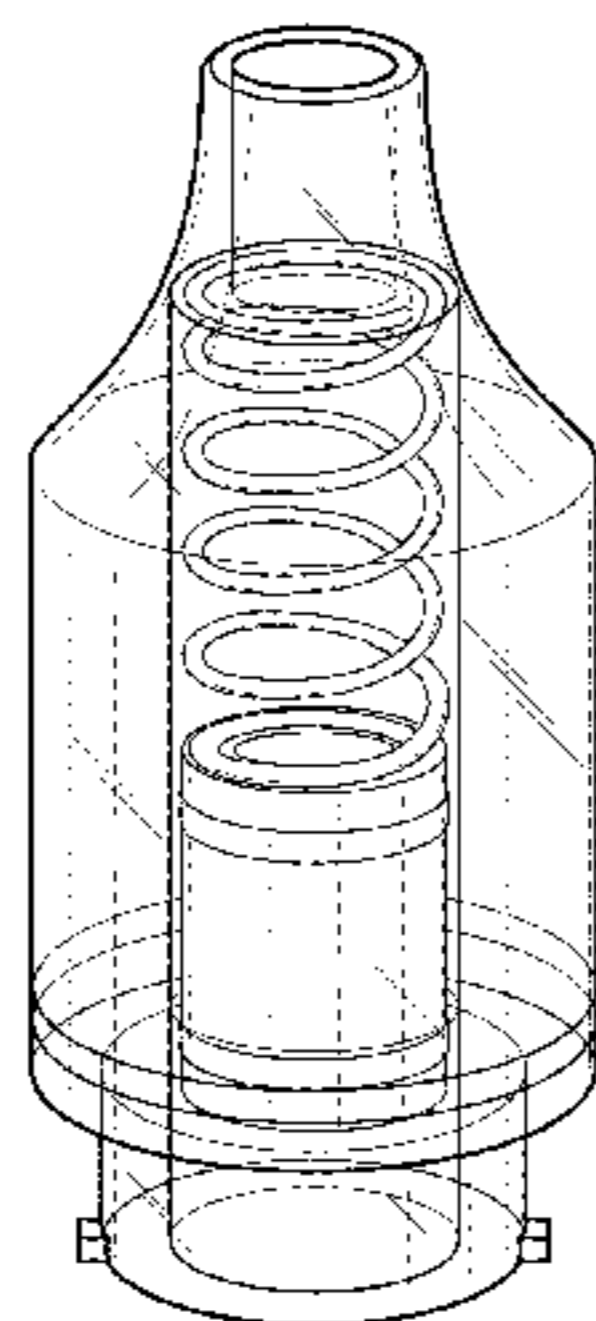
D778,492 S * 2/2017 Liu D27/101

2013/0263869 A1 * 10/2013 Zhu A24F 47/002
131/329

2014/0290677 A1 * 10/2014 Liu A61M 15/06
131/329

(Continued)

1 Claim, 8 Drawing Sheets



(56)

References Cited

U.S. PATENT DOCUMENTS

2015/0181937 A1* 7/2015 Dubief A24F 47/008
131/329
2015/0296887 A1* 10/2015 Zhu A24F 47/008
131/329
2015/0335073 A1* 11/2015 Li A24F 47/008
131/329
2015/0351456 A1 12/2015 Johnson et al.
2016/0128384 A1 5/2016 Luciani
2017/0049153 A1* 2/2017 Guo A24F 47/008
2017/0055584 A1* 3/2017 Blandino H05B 6/36
2017/0064994 A1* 3/2017 Xu A24F 47/002
2017/0086500 A1* 3/2017 Li A24B 15/16
2017/0105451 A1* 4/2017 Fornarelli A24F 47/008
2017/0119060 A1* 5/2017 Li A24F 47/008

OTHER PUBLICATIONS

“Joyetech eGo AIO starter kit,” <https://vaporhq.com/joyetech-egoaio-starter-kit-with-child-lock>, Joyetech, Visited: Jan. 13, 2017.
“Joye eGo-T/eGo-C Empty MEGA Cartridge (Type B)—5/PacK”<http://www.myvaporstore.com/JoyeeGo-T-eGo-C-Empty-MEGACartridge-Type-B-5-p/ego-tcrtb.htm>, Joyetech, Visited Jan. 13, 2017.

* cited by examiner

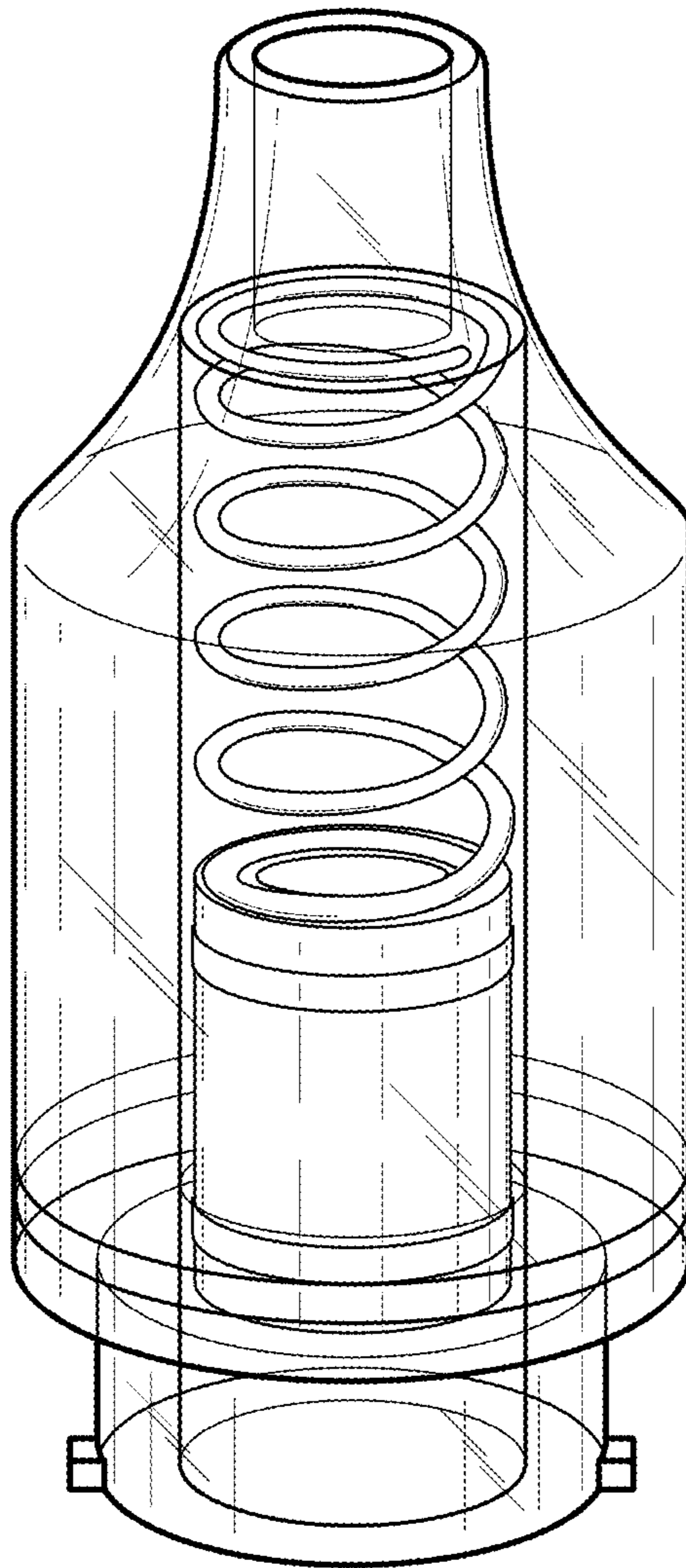


Fig. 1

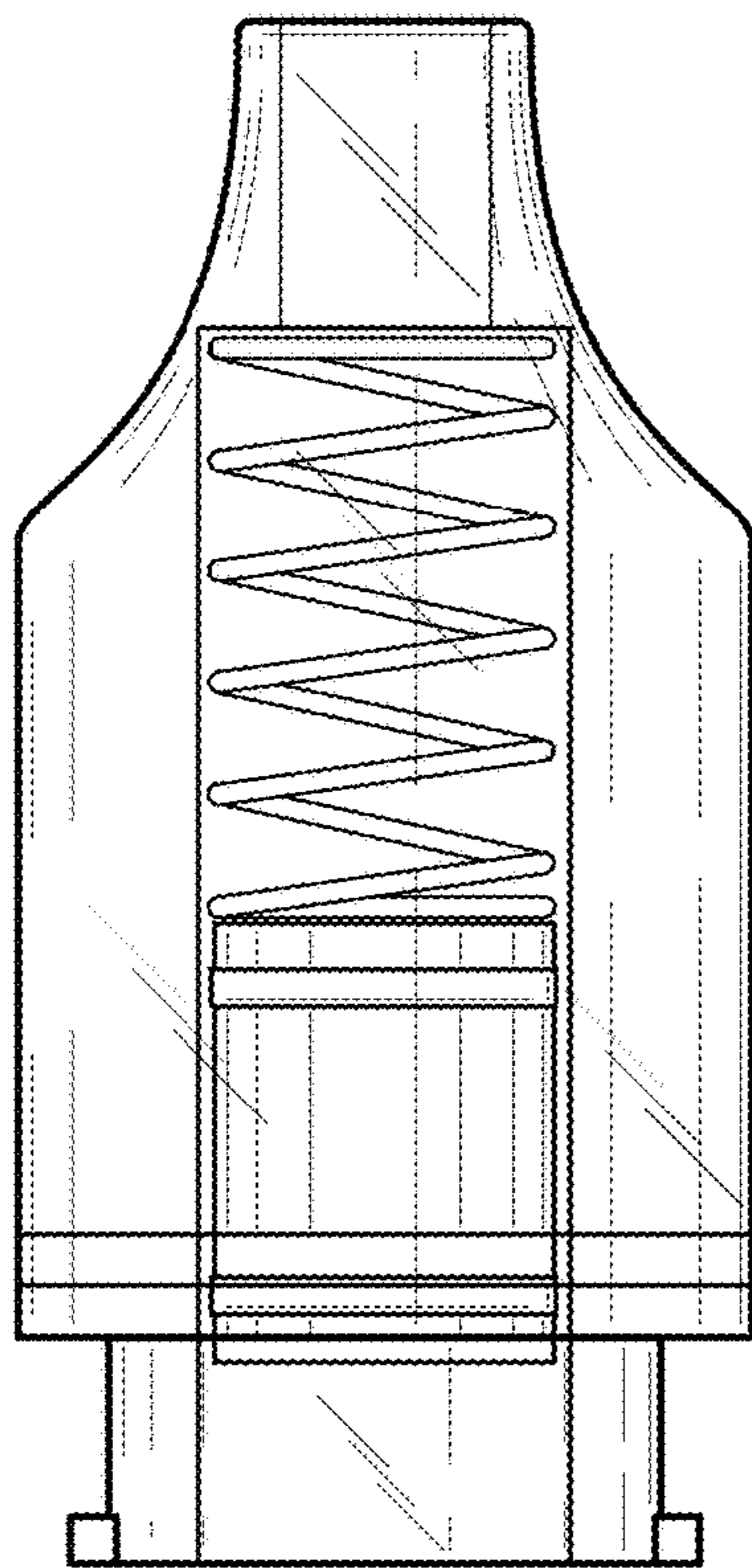


Fig. 2

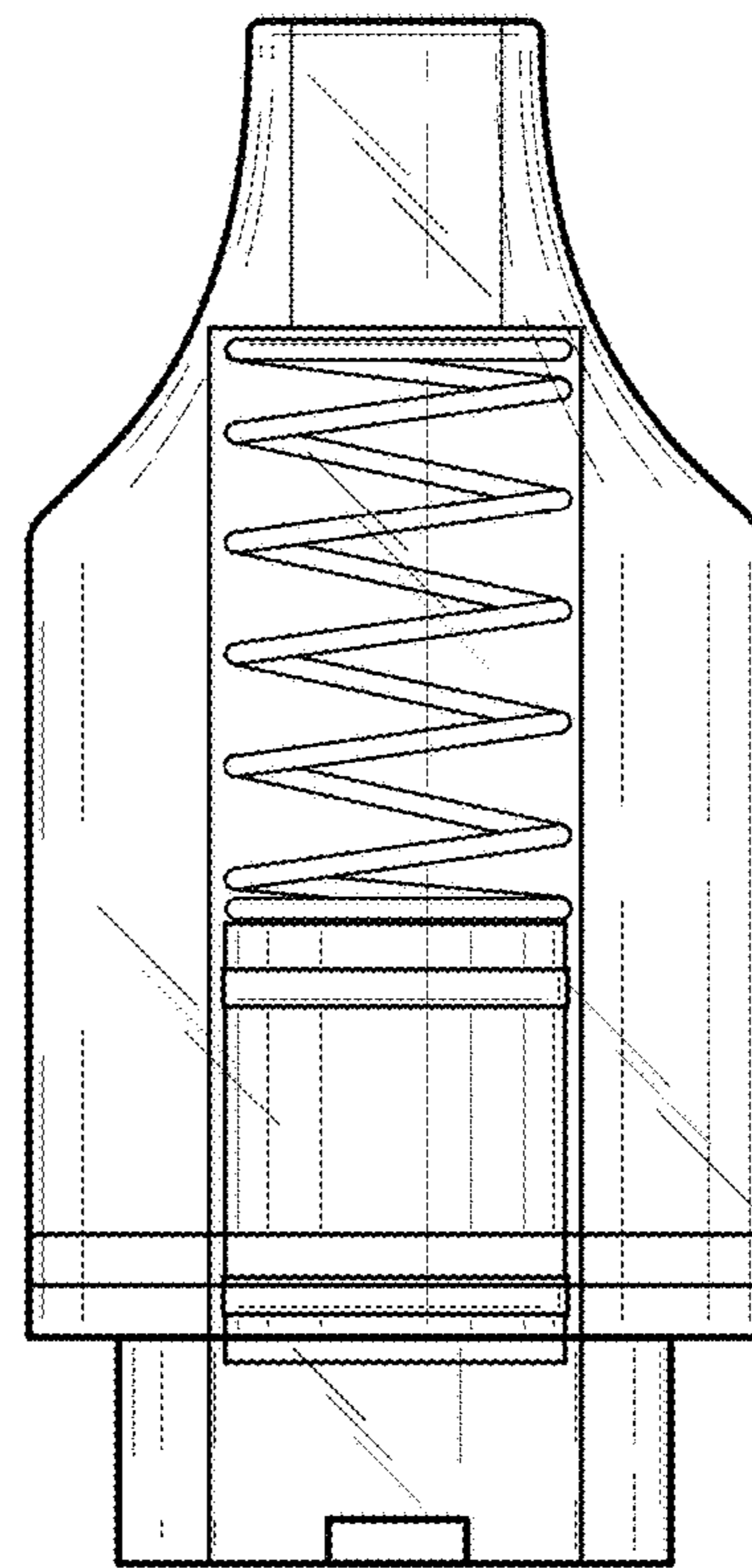


Fig. 3

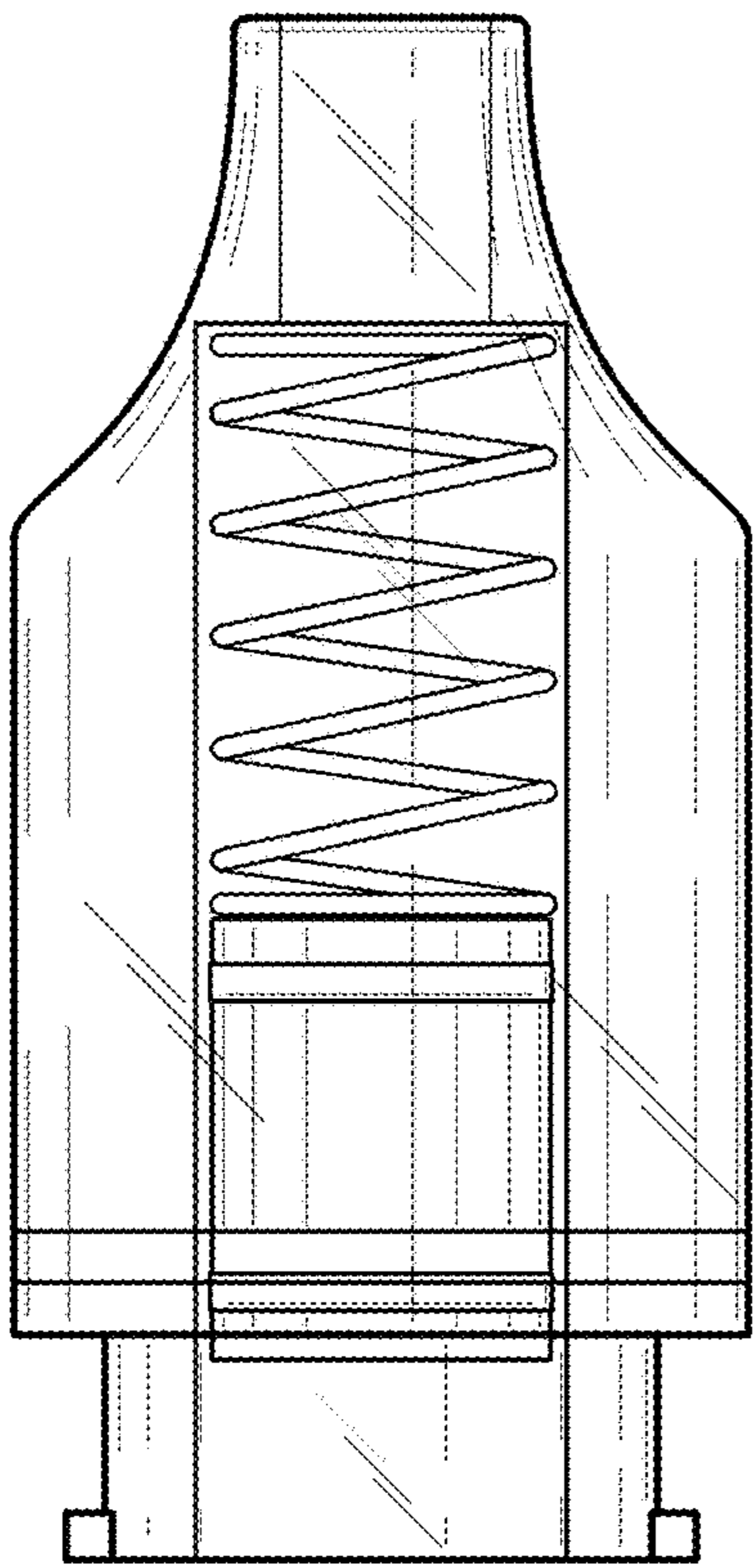


Fig. 4

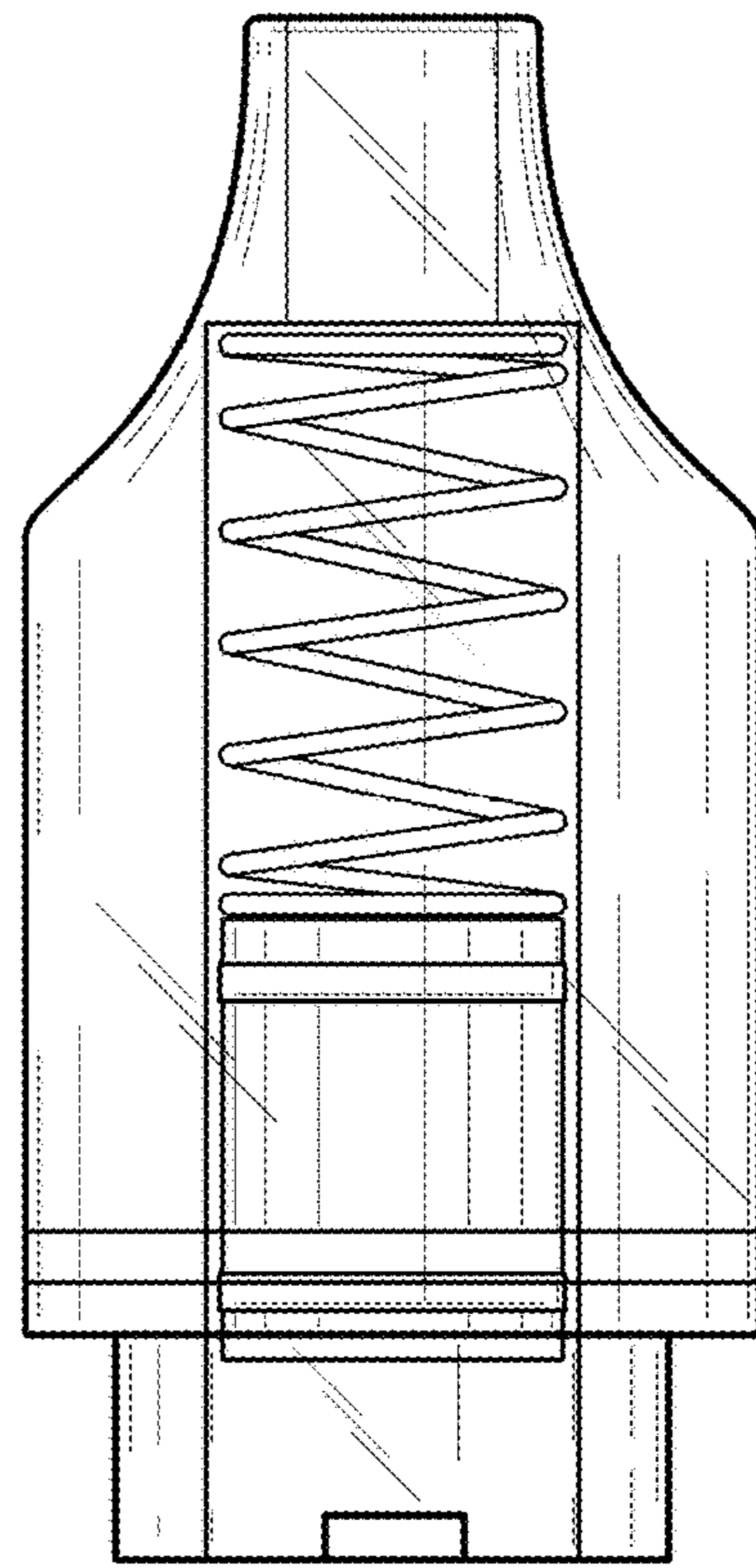


Fig. 5

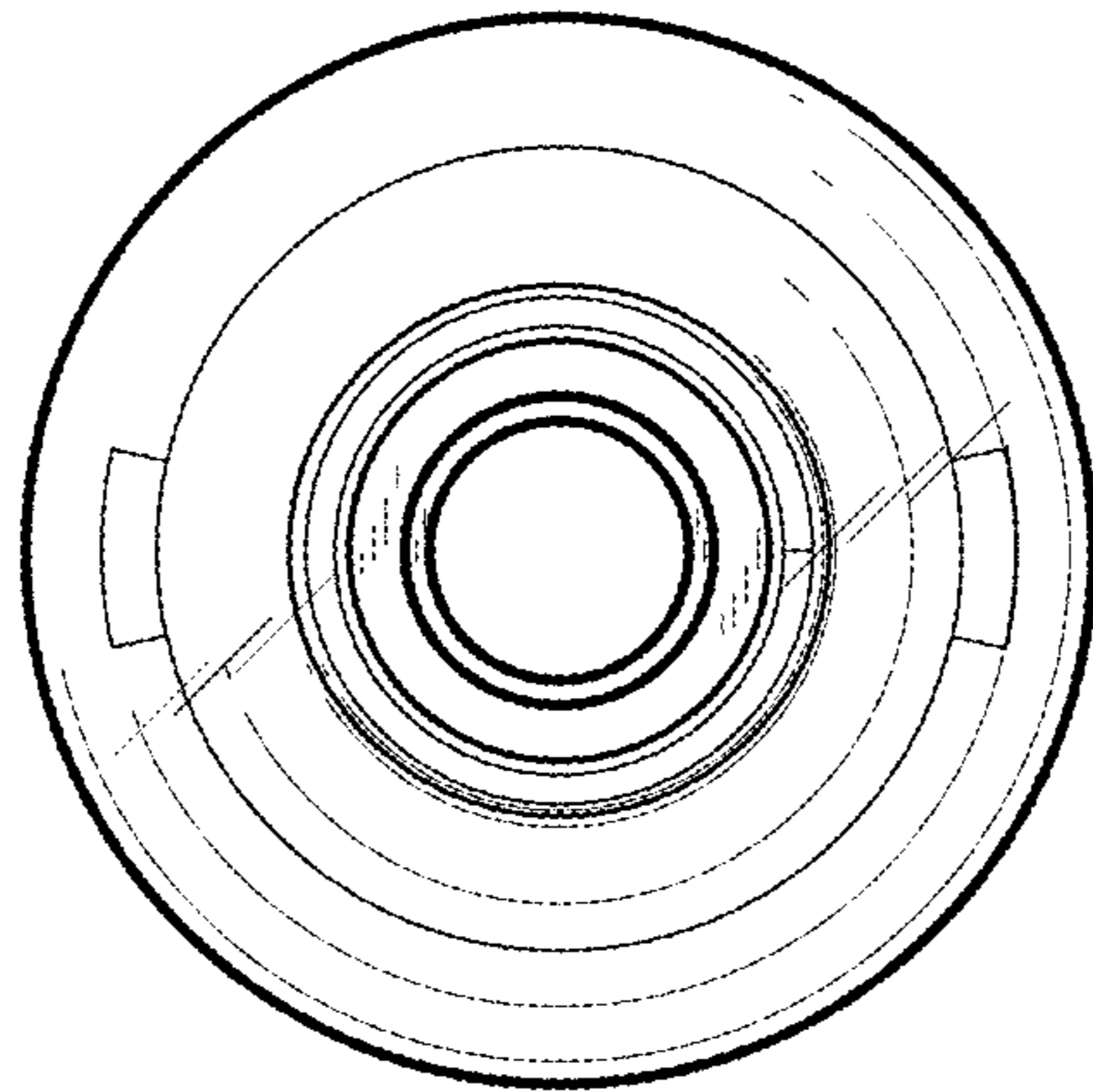


Fig. 6

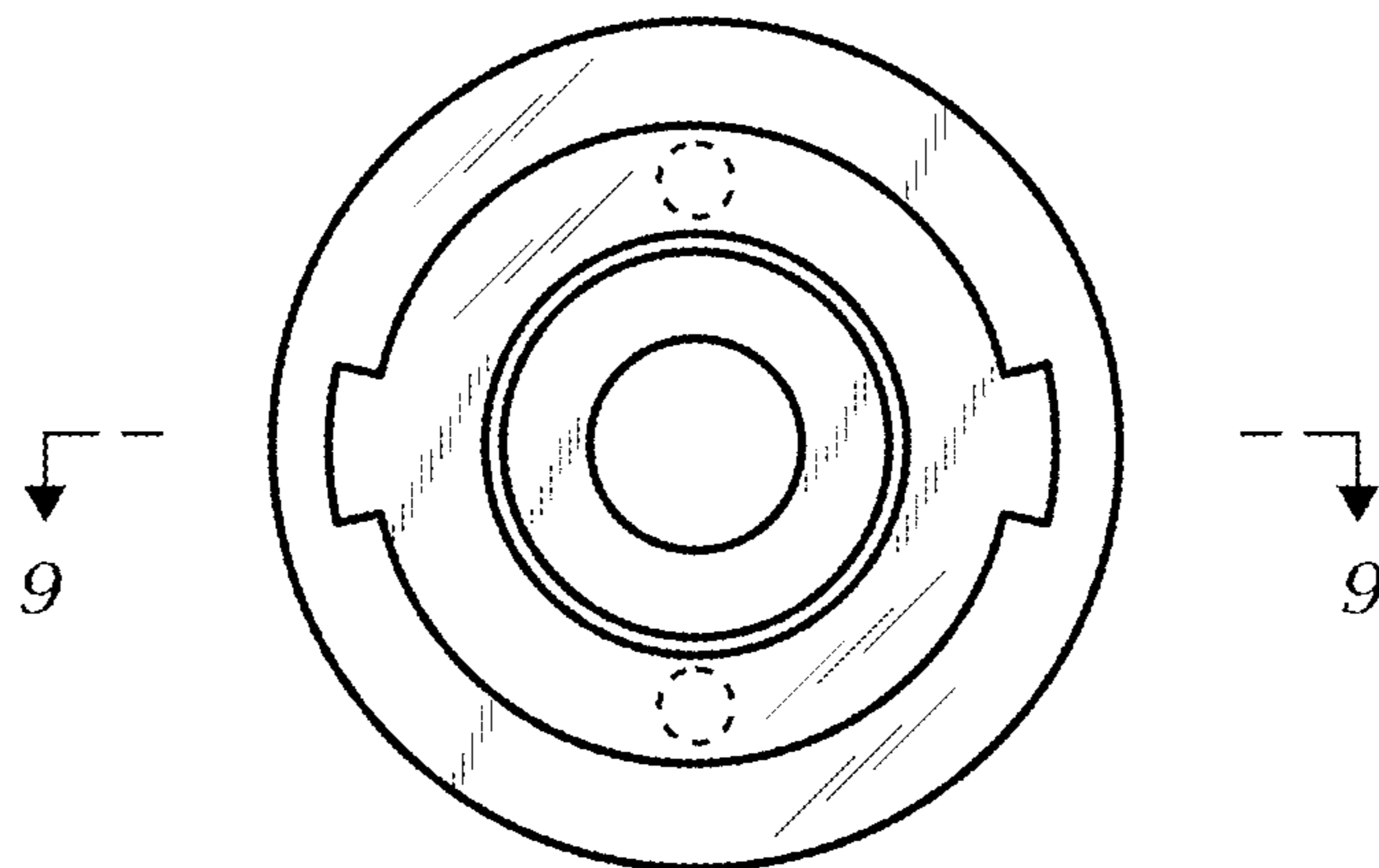


Fig. 7

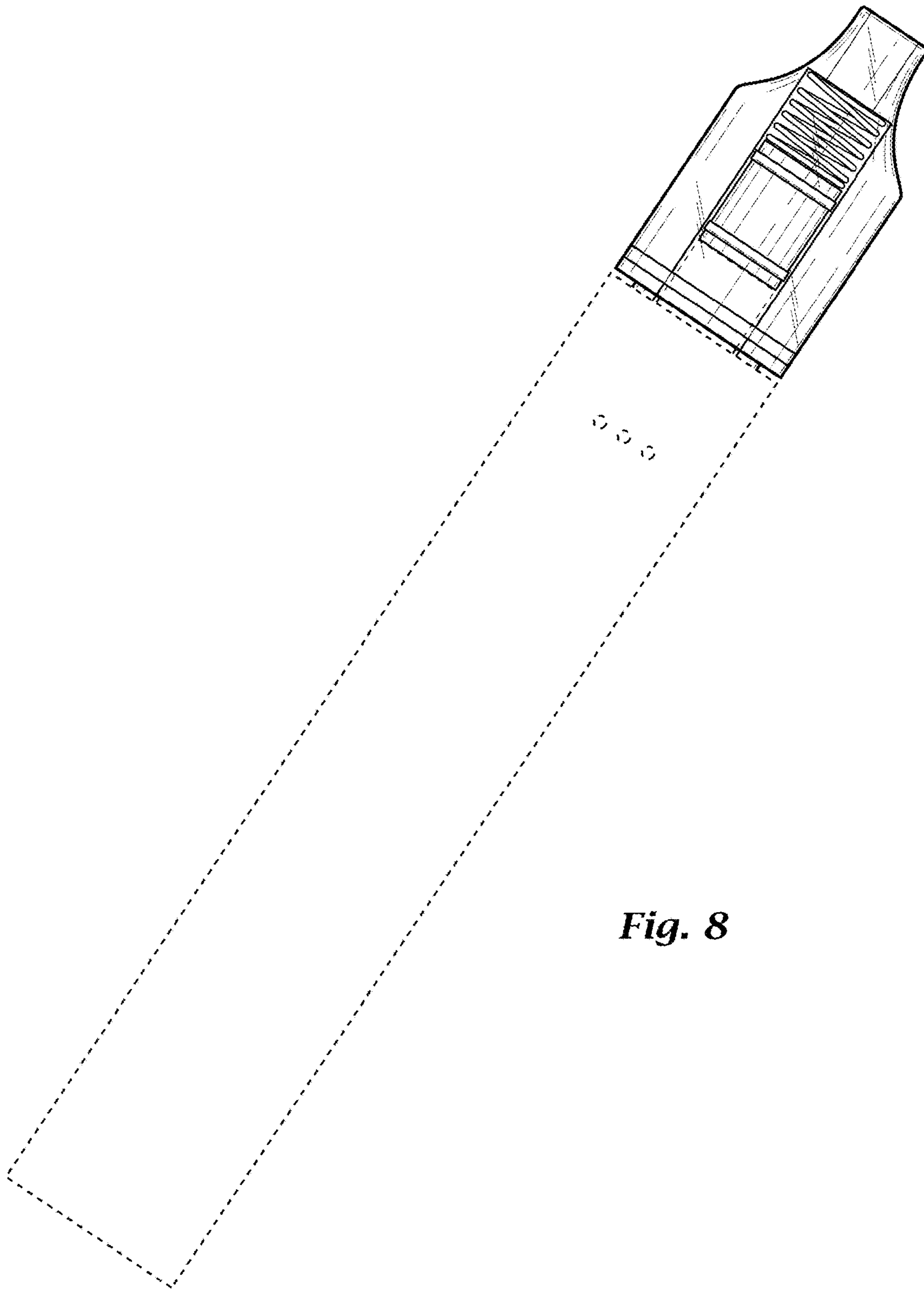


Fig. 8

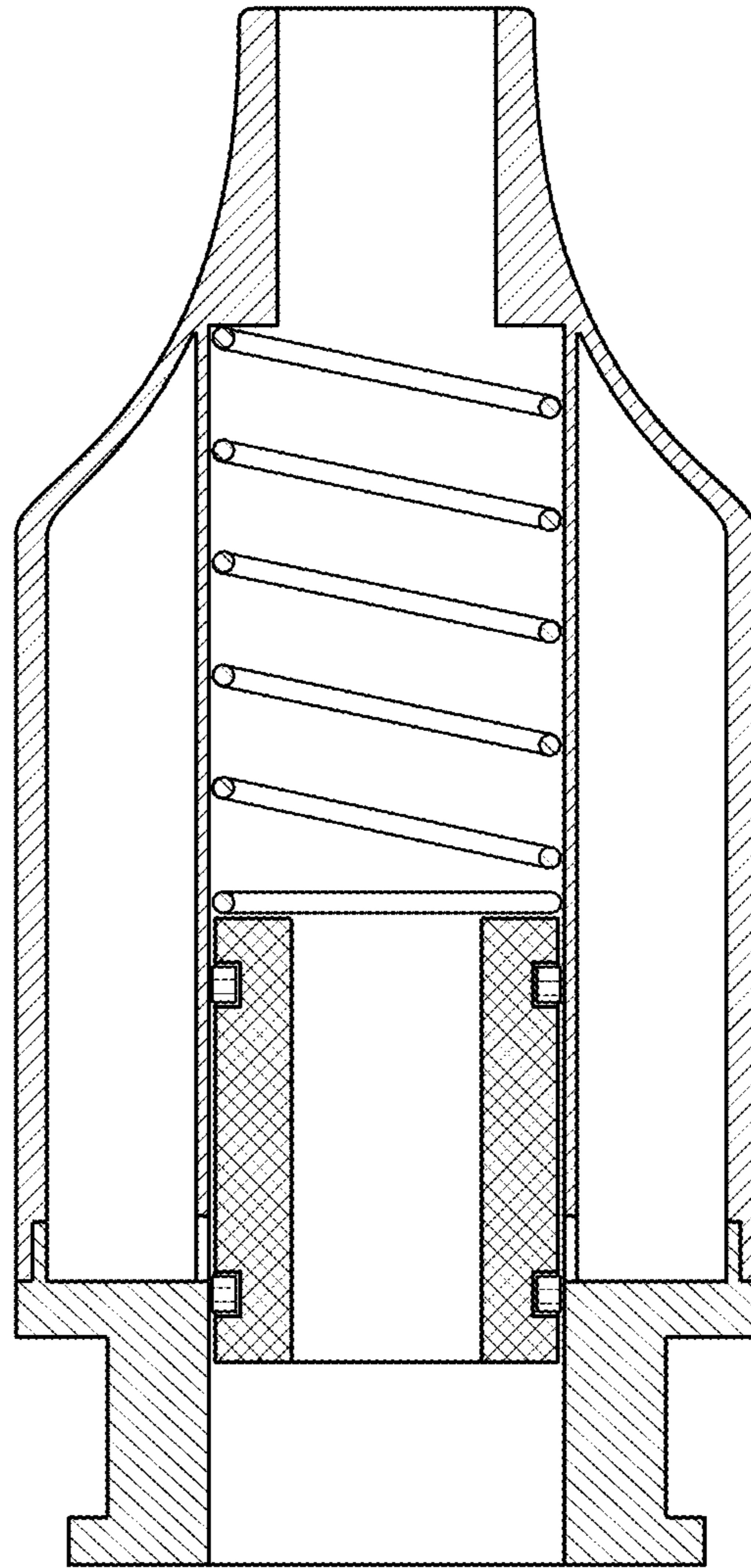


Fig. 9

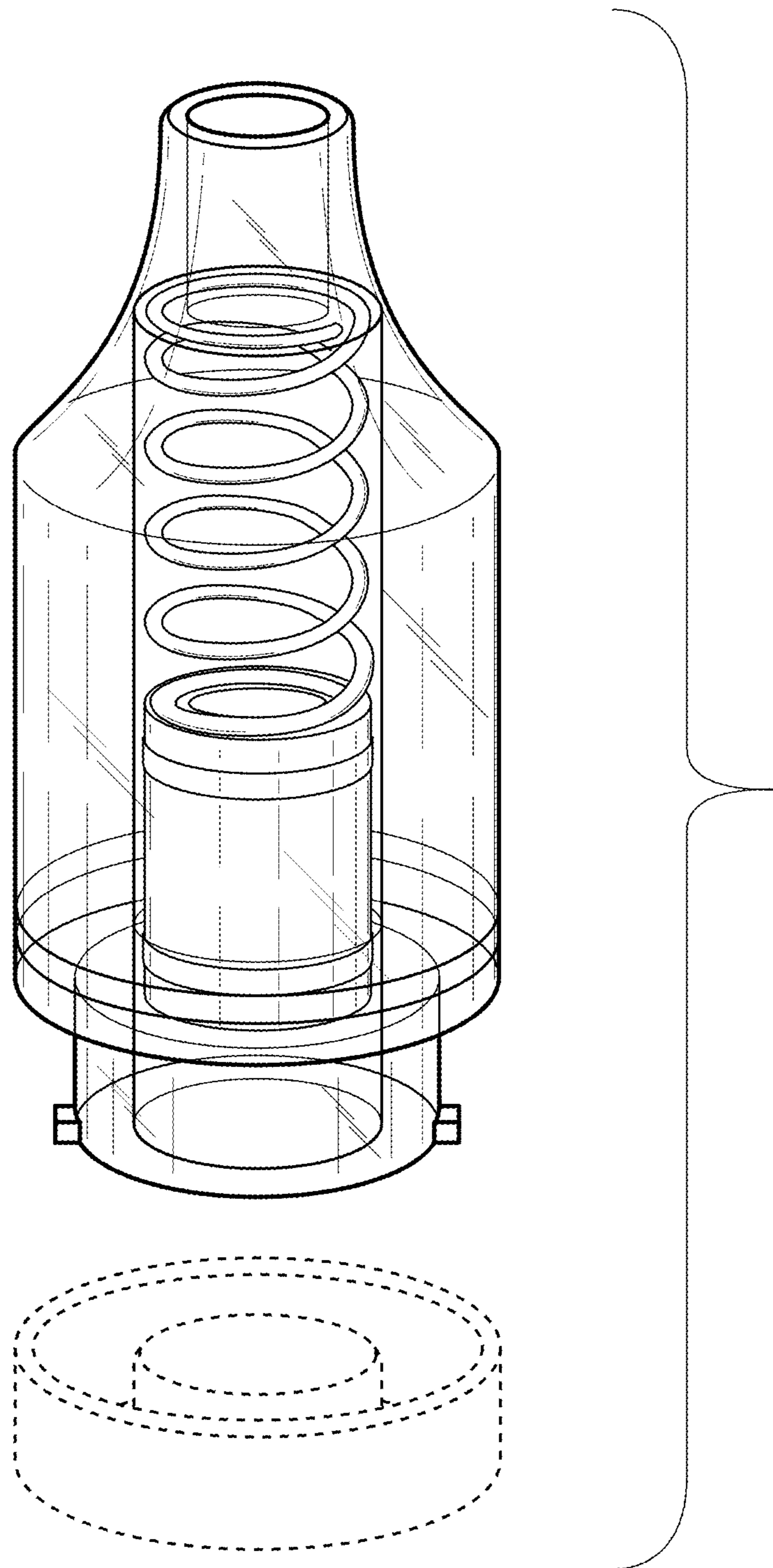


Fig. 10

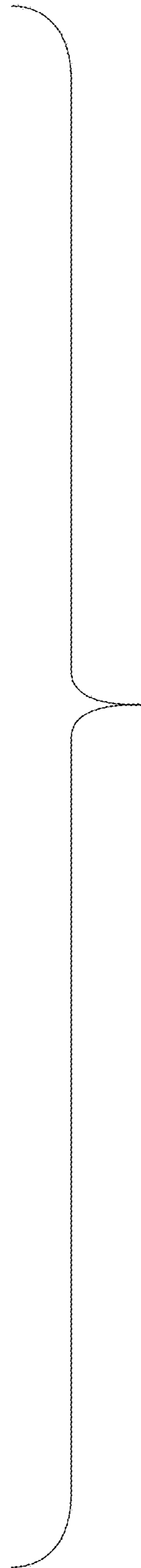
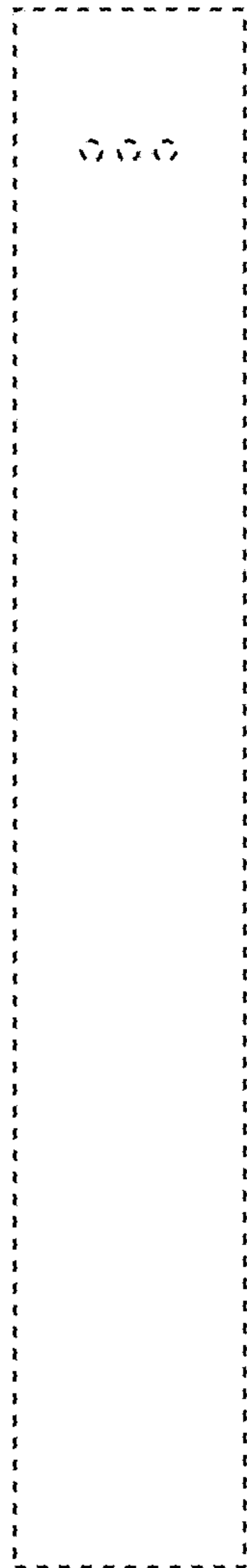
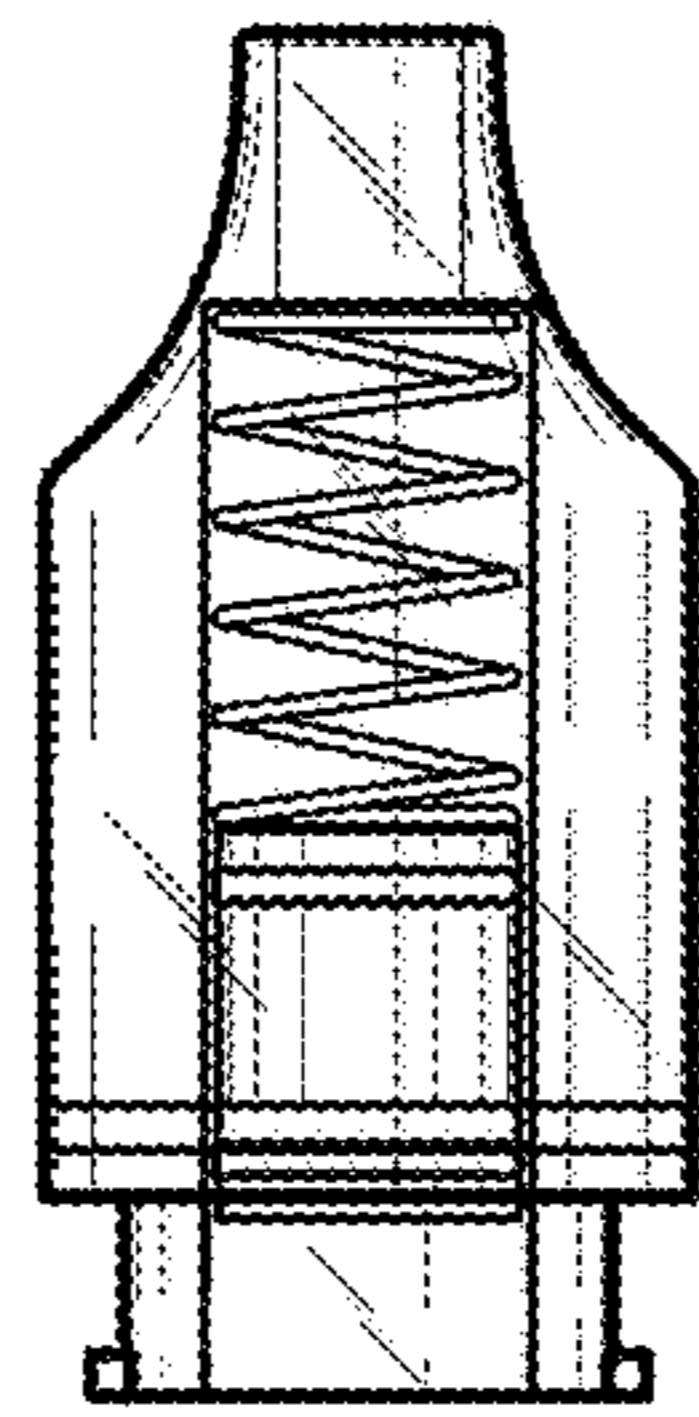


Fig. 11