



US00D813447S

(12) **United States Design Patent**
Watson

(10) **Patent No.:** **US D813,447 S**
(45) **Date of Patent:** **** Mar. 20, 2018**

- (54) **VAPORIZER**
- (71) Applicant: **Zip**, Denver, CO (US)
- (72) Inventor: **James Matthew Watson**, Katy, TX (US)
- (73) Assignee: **Zipline Innovations, LLC**, Denver, CO (US)
- (**) Term: **15 Years**
- (21) Appl. No.: **29/597,308**
- (22) Filed: **Mar. 16, 2017**
- (51) **LOC (11) Cl.** **27-02**
- (52) **U.S. Cl.**
USPC **D27/162**
- (58) **Field of Classification Search**
USPC D27/100, 101, 162-170, 172-195
CPC A24F 1/30; A24F 47/002; A24F 9/14
See application file for complete search history.

- D779,719 S * 2/2017 Qiu D27/101
- D786,497 S * 5/2017 Sudlow D27/162
- D790,123 S * 6/2017 Beer D27/101
- D792,643 S * 7/2017 Wong D27/101
- D799,110 S * 10/2017 Qiu D27/101
- D799,113 S * 10/2017 Qiu D27/101
- D799,744 S * 10/2017 Qiu D27/101
- D799,745 S * 10/2017 Qiu D27/101
- D800,383 S * 10/2017 Verleur D27/167
- 2015/0034104 A1* 2/2015 Zhou A24F 47/008
131/329
- 2016/0331912 A1* 11/2016 Trzeciecki A61M 11/042
- 2016/0345626 A1* 12/2016 Wong A24F 47/008

* cited by examiner

Primary Examiner — Robert M. Spear
Assistant Examiner — Marissa J Cash
(74) *Attorney, Agent, or Firm* — Seyfarth Shaw LLP

(57) **CLAIM**

The ornamental design for a vaporizer, as shown and described.

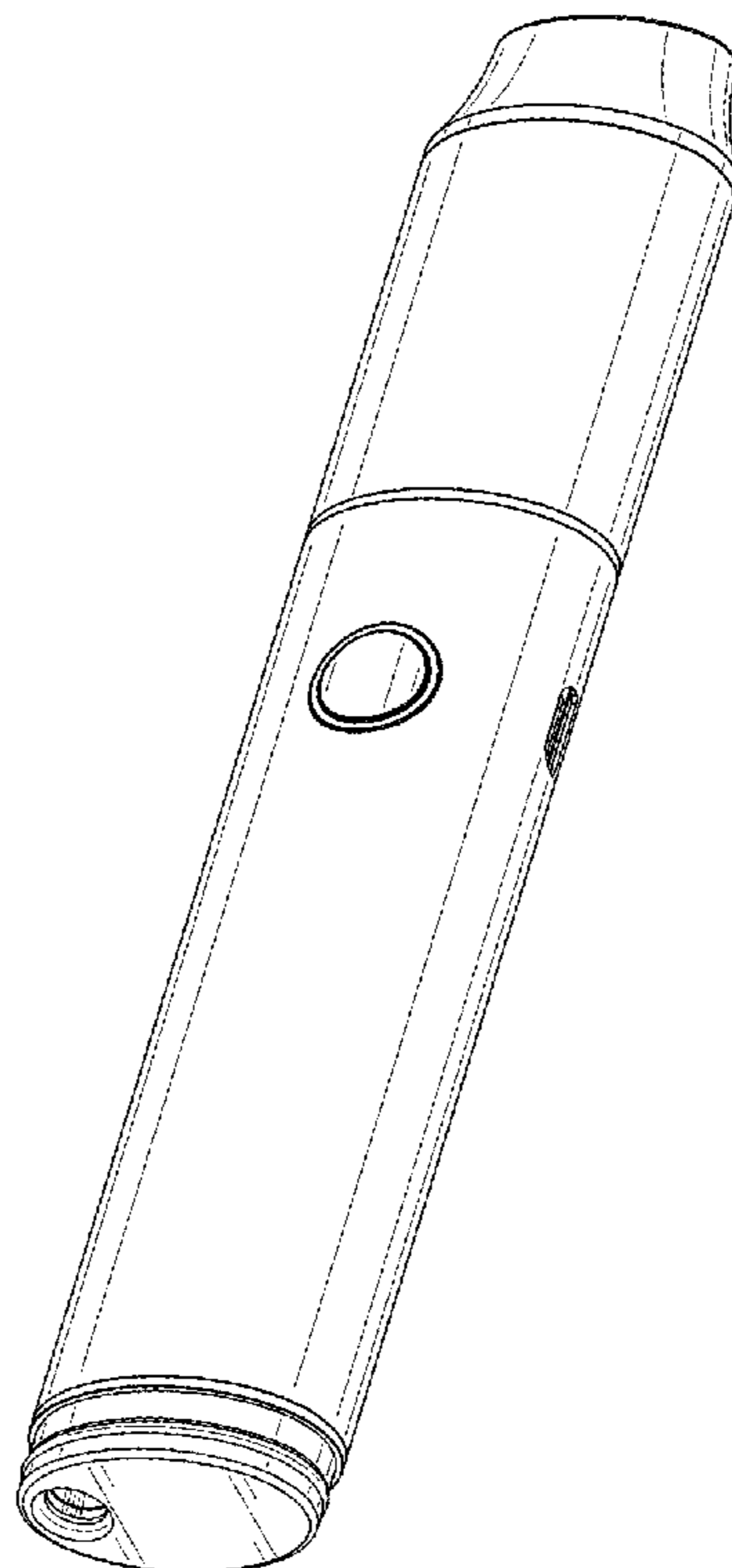
DESCRIPTION

FIG. 1 is a front perspective view for a vaporizer; FIG. 2 is a top view thereof; FIG. 3 is a bottom view thereof; FIG. 4 is a front view thereof; FIG. 5 is a rear view thereof; FIG. 6 is a left-side view thereof; and, FIG. 7 is a right-side view thereof. The broken lines depict environmental subject matter only and form no part of the claimed design.

1 Claim, 6 Drawing Sheets

(56) **References Cited**
U.S. PATENT DOCUMENTS

- D532,927 S * 11/2006 Sann D27/101
- D718,492 S * 11/2014 Albanese D27/101
- D720,882 S * 1/2015 Albanese D27/101
- D725,310 S * 3/2015 Eksouzian D27/101
- D732,733 S * 6/2015 Spagnolo D27/101
- D759,303 S * 6/2016 Afridi D27/101
- D760,948 S * 7/2016 Eksouzian D27/101
- D773,727 S * 12/2016 Eksouzian D27/101
- D776,337 S * 1/2017 Levin D27/101



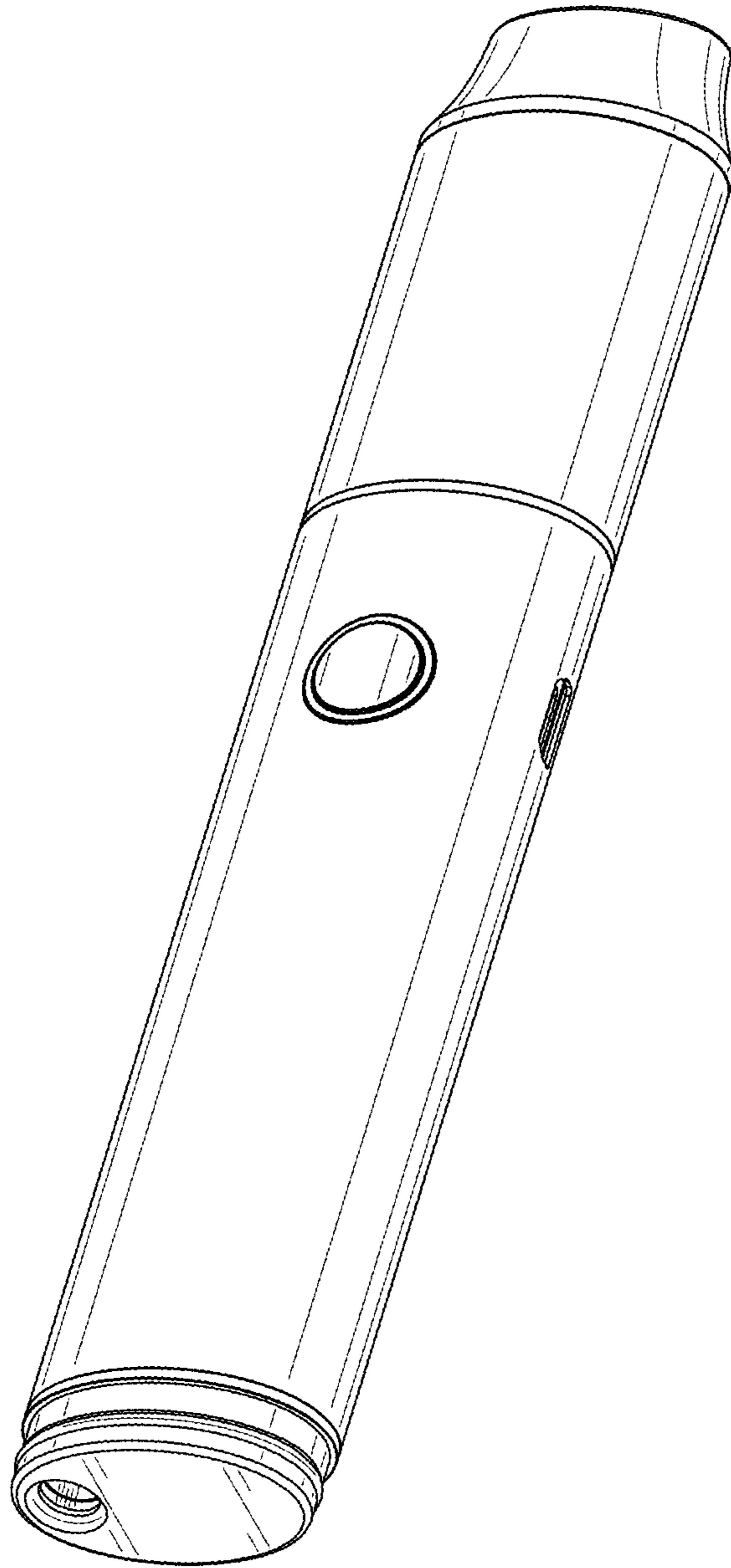


FIG. 1

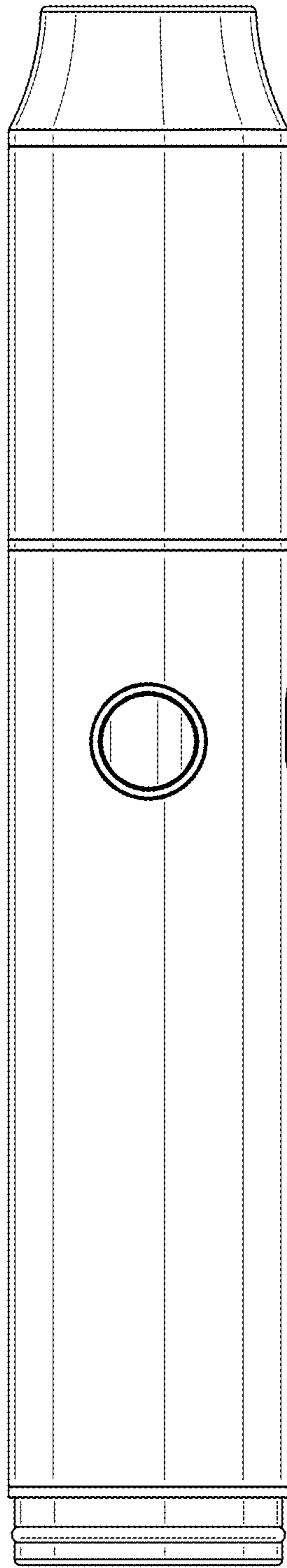


FIG. 2

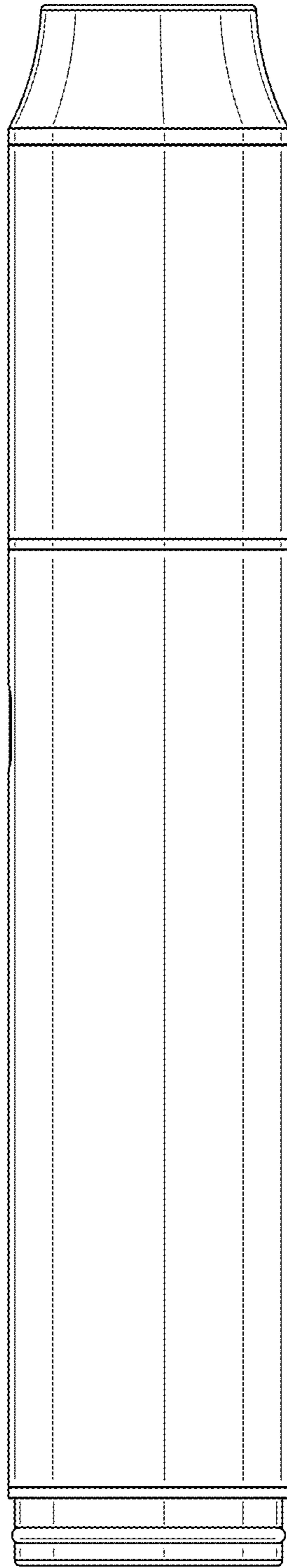


FIG. 3

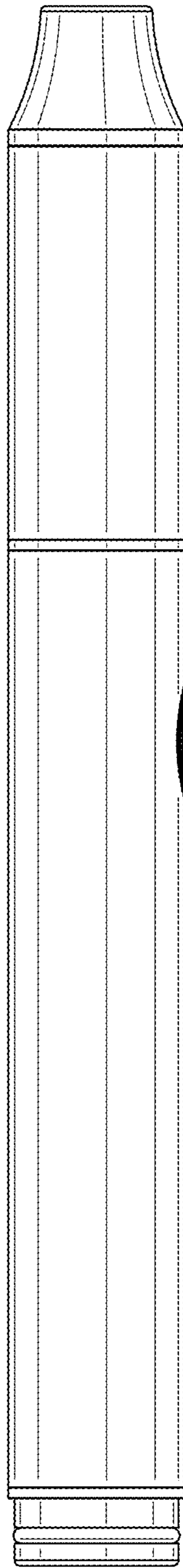


FIG. 4

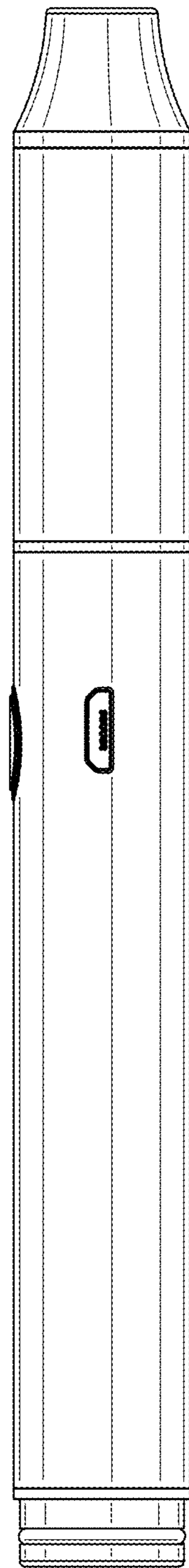


FIG. 5

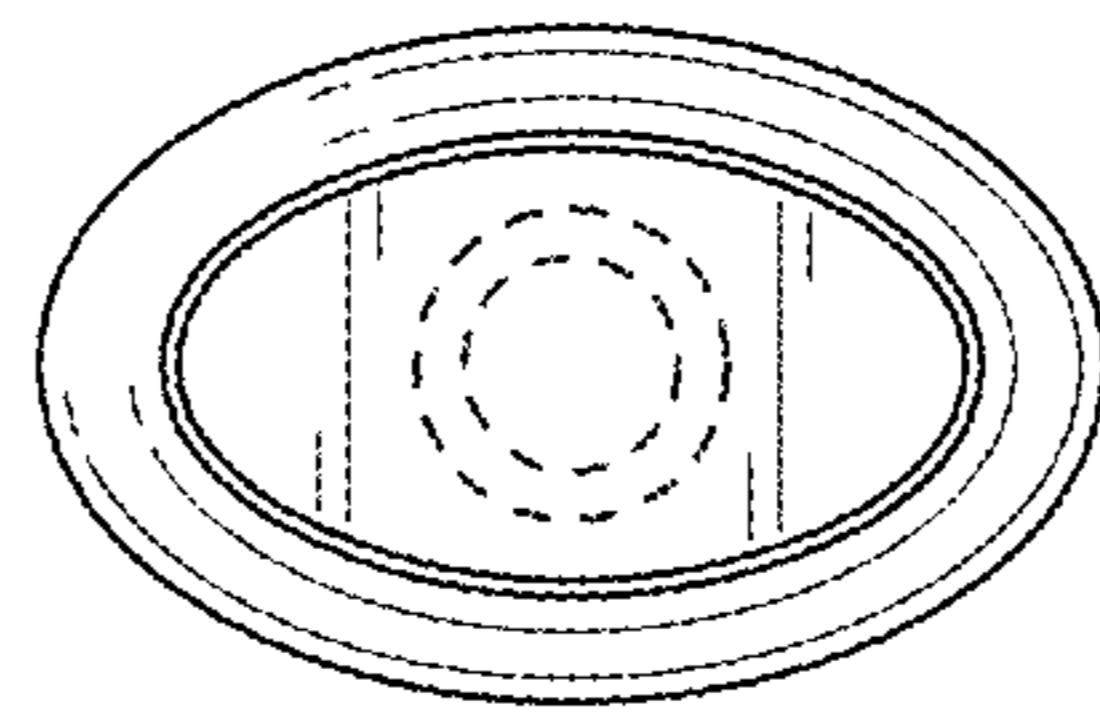


FIG. 6

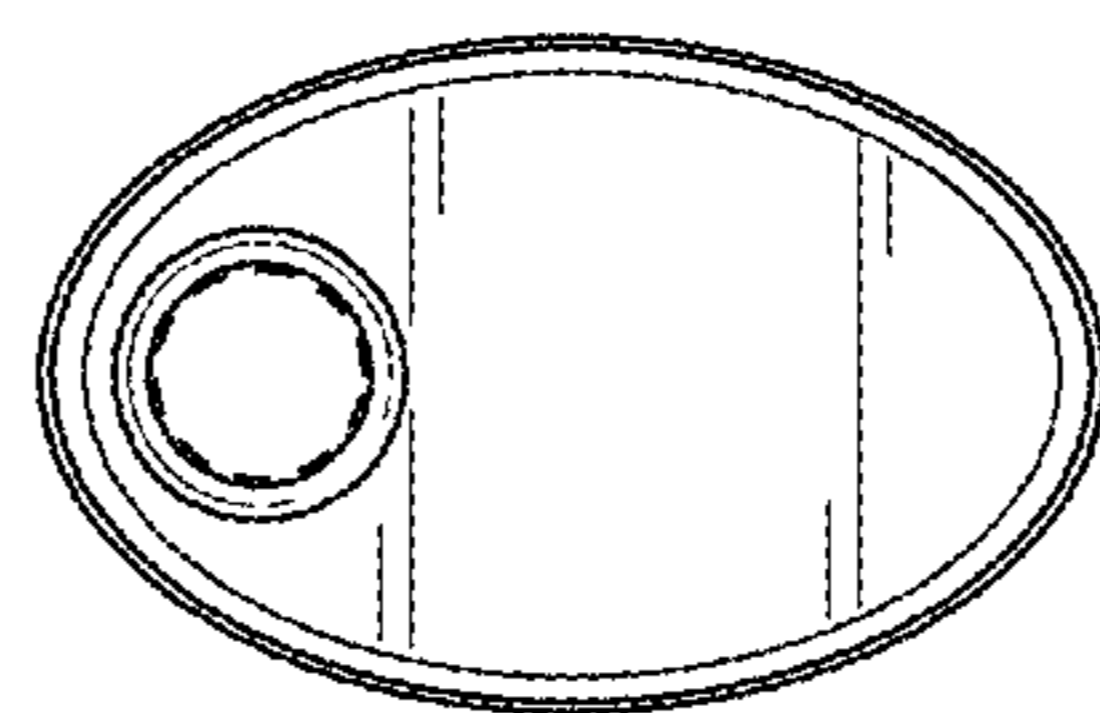


FIG. 7