



US00D813443S

(12) **United States Design Patent**
Matteson

(10) **Patent No.:** **US D813,443 S**

(45) **Date of Patent:** **** Mar. 20, 2018**

- (54) **LED MOUNTING STRIP**
- (71) Applicant: **Flexidaisy, LLC**, Owasso, OK (US)
- (72) Inventor: **Derek Matteson**, Owasso, OK (US)
- (73) Assignee: **Flexidaisy, LLC**, Owasso, OK (US)
- (**) Term: **15 Years**
- (21) Appl. No.: **29/571,268**
- (22) Filed: **Jul. 15, 2016**
- (51) **LOC (11) Cl.** **26-05**
- (52) **U.S. Cl.**
USPC **D26/138**
- (58) **Field of Classification Search**
USPC D26/76, 78, 79, 80, 81, 82, 83, 85, 86,
D26/88, 90, 113, 118, 119, 120, 121, 122,
D26/138, 139, 140, 141, 142, 152
CPC F21S 2/00; F21S 4/00; F21S 4/003; F21S
4/005; F21S 4/006; F21S 4/007; F21S
4/008; F21S 6/00; F21S 8/00; F21S
8/024; F21S 8/026; F21S 8/031; F21S
8/033; F21S 8/035–8/037; F21S 8/04;
F21S 8/043; F21S 8/063
See application file for complete search history.

- D737,500 S * 8/2015 Santoro D26/120
- D740,479 S * 10/2015 Beno D26/118
- D747,539 S * 1/2016 Santoro D26/120
- D771,276 S * 11/2016 Walker D25/119

* cited by examiner

Primary Examiner — George D. Kirschbaum
Assistant Examiner — Natasha Vujcic
(74) *Attorney, Agent, or Firm* — McAfee & Taft, A
Professional Corporation

(57) **CLAIM**

The ornamental design for a LED mounting strip, as shown and described.

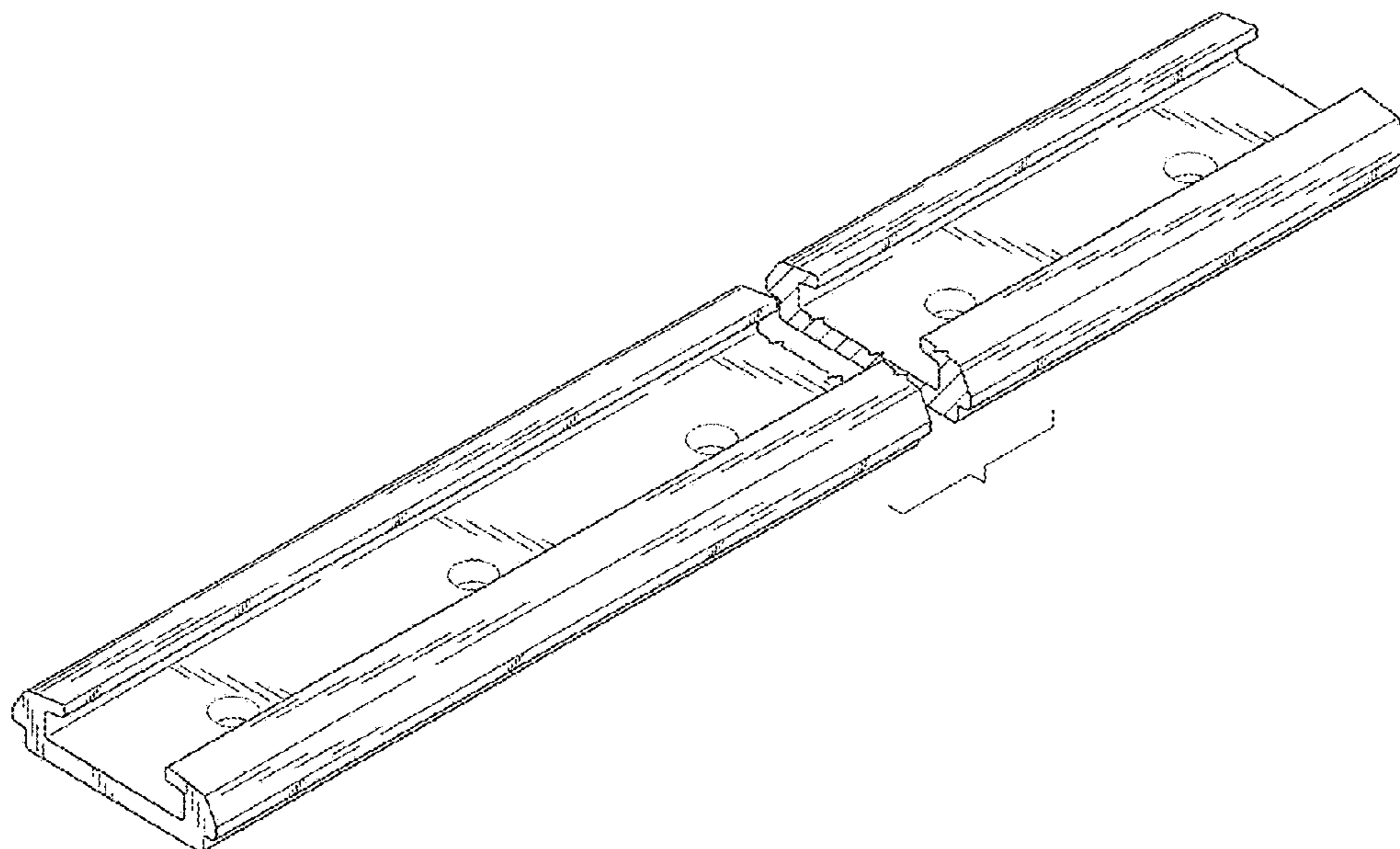
DESCRIPTION

FIG. 1 is a top-perspective view of the mounting strip showing my new design;
FIG. 2 is a top view thereof;
FIG. 3 is a bottom view thereof;
FIG. 4 is a front-side view thereof;
FIG. 5 is a rear-side view thereof;
FIG. 6 is a right-side view thereof;
FIG. 7 is a left-side view thereof;
FIG. 8 is a view of the mounting strip with an unclaimed optional transparent cover; and,
FIG. 9 is a top-perspective view of the mounting strip depicting the mounting strip in a curved position.
The broken lines in the drawings illustrate portions of the LED mounting strip and its environment, which forms no part of the claimed design.
The break lines in the drawings indicate that the appearance of any portion of the LED mounting strip between the break lines forms no part of the claimed design.

(56) **References Cited**
U.S. PATENT DOCUMENTS

- D301,304 S * 5/1989 Will D25/119
- D375,040 S * 10/1996 Miyashita D8/382
- D403,801 S * 1/1999 Summers D26/138
- D647,246 S * 10/2011 Chadwick D26/138
- D649,692 S * 11/2011 Trzesniowski D26/138
- D657,487 S * 4/2012 Sabernig D26/84
- D707,880 S * 6/2014 Magnusson D26/120
- D731,700 S * 6/2015 Santoro D26/118

1 Claim, 5 Drawing Sheets



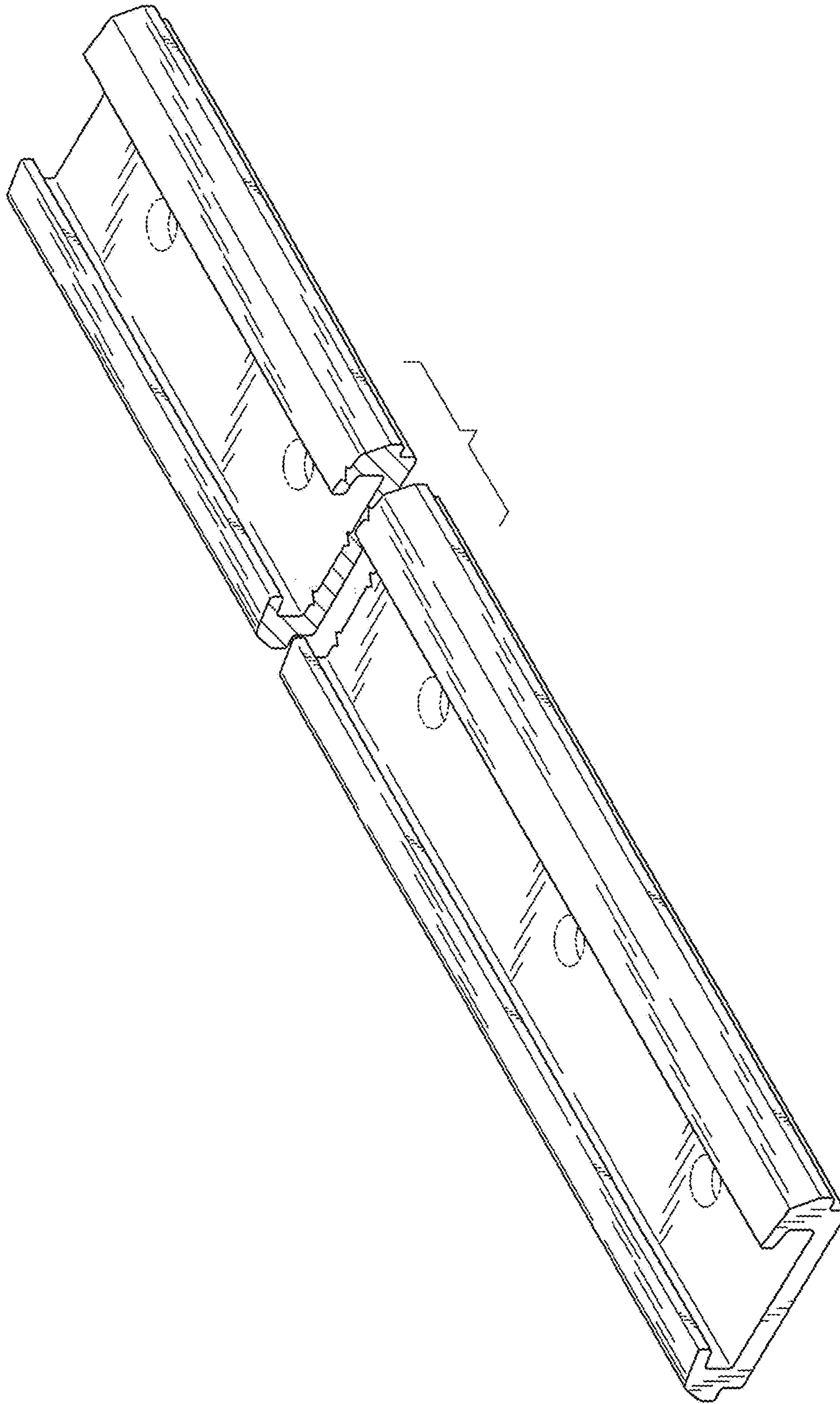


FIG. 1

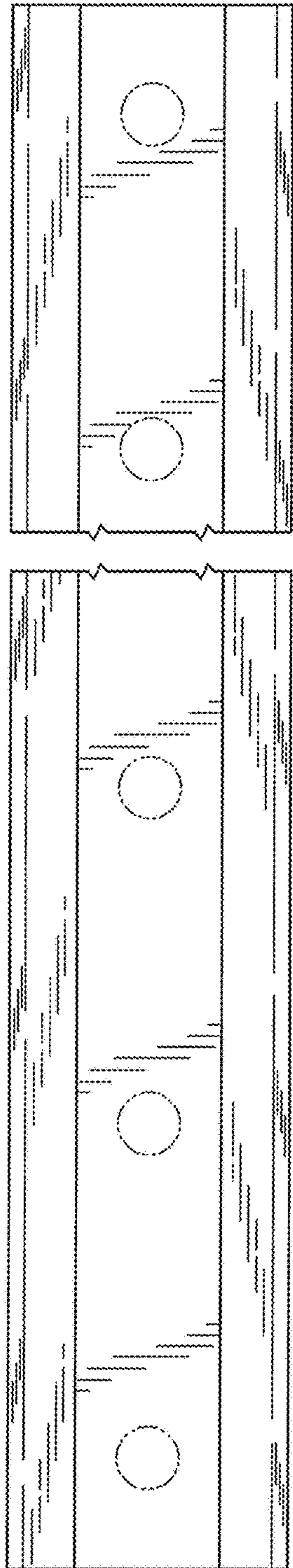


FIG. 1

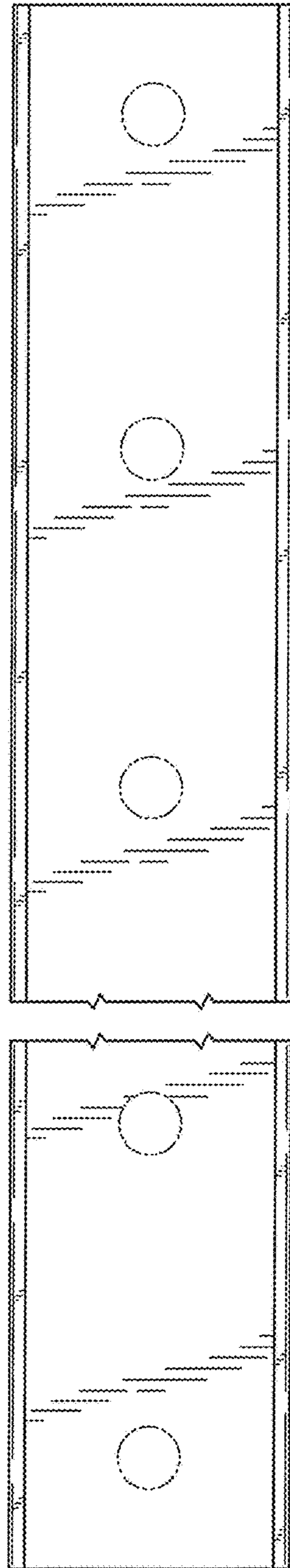


FIG. 2

