



US00D813442S

(12) **United States Design Patent**
Cho et al.

(10) **Patent No.:** **US D813,442 S**
(45) **Date of Patent:** **** Mar. 20, 2018**

(54) **LIGHTING DEVICE**

(71) Applicant: **FEELUX CO., LTD.**, Gyeonggi-do (KR)

(72) Inventors: **Beom Yeon Cho**, Seoul (KR); **Jun Jang**, Seoul (KR); **Jin Myeong Kim**, Seoul (KR)

(73) Assignee: **FEELUX CO., LTD.**, Gyeonggi-Do (KR)

(**) Term: **15 Years**

(21) Appl. No.: **29/598,125**

(22) Filed: **Mar. 23, 2017**

(30) **Foreign Application Priority Data**

Dec. 28, 2016 (KR) 30-2016-0063976

(51) **LOC (11) Cl.** **26-99**

(52) **U.S. Cl.**
USPC **D26/113**

(58) **Field of Classification Search**
USPC D26/1, 24, 25, 60-63, 113, 118;
D13/139.2, 155
CPC H01R 25/142; H02G 3/0431; F21V
19/0055; B60K 31/0066; H05B 33/0803
See application file for complete search history.

(56) **References Cited**

U.S. PATENT DOCUMENTS

D362,656 S * 9/1995 Roos D13/134
D563,580 S * 3/2008 Prazoff D26/61

D579,131 S * 10/2008 Handsaker D26/24
7,634,346 B2 * 12/2009 Abe B60K 31/0066
701/70
7,909,499 B2 * 3/2011 Snagel H01R 25/142
362/221
8,764,220 B2 * 7/2014 Chan F21V 15/013
362/217.02
9,155,170 B2 * 10/2015 Shah H05B 33/0803

* cited by examiner

Primary Examiner — Brian N. Vinson

(74) *Attorney, Agent, or Firm* — The PL Law Group, PLLC

(57) **CLAIM**

The ornamental design for a lighting device, as shown and described.

DESCRIPTION

FIG. 1 is a view showing the general shape of the present design;
FIG. 2 is a front view thereof;
FIG. 3 is a rear view thereof;
FIG. 4 is a left-side view thereof;
FIG. 5 is a right-side view thereof;
FIG. 6 is a top plan view thereof; and,
FIG. 7 is a bottom view thereof.

The broken line disclosure in the views represents portions of the device which form no part of the claimed design.

1 Claim, 5 Drawing Sheets

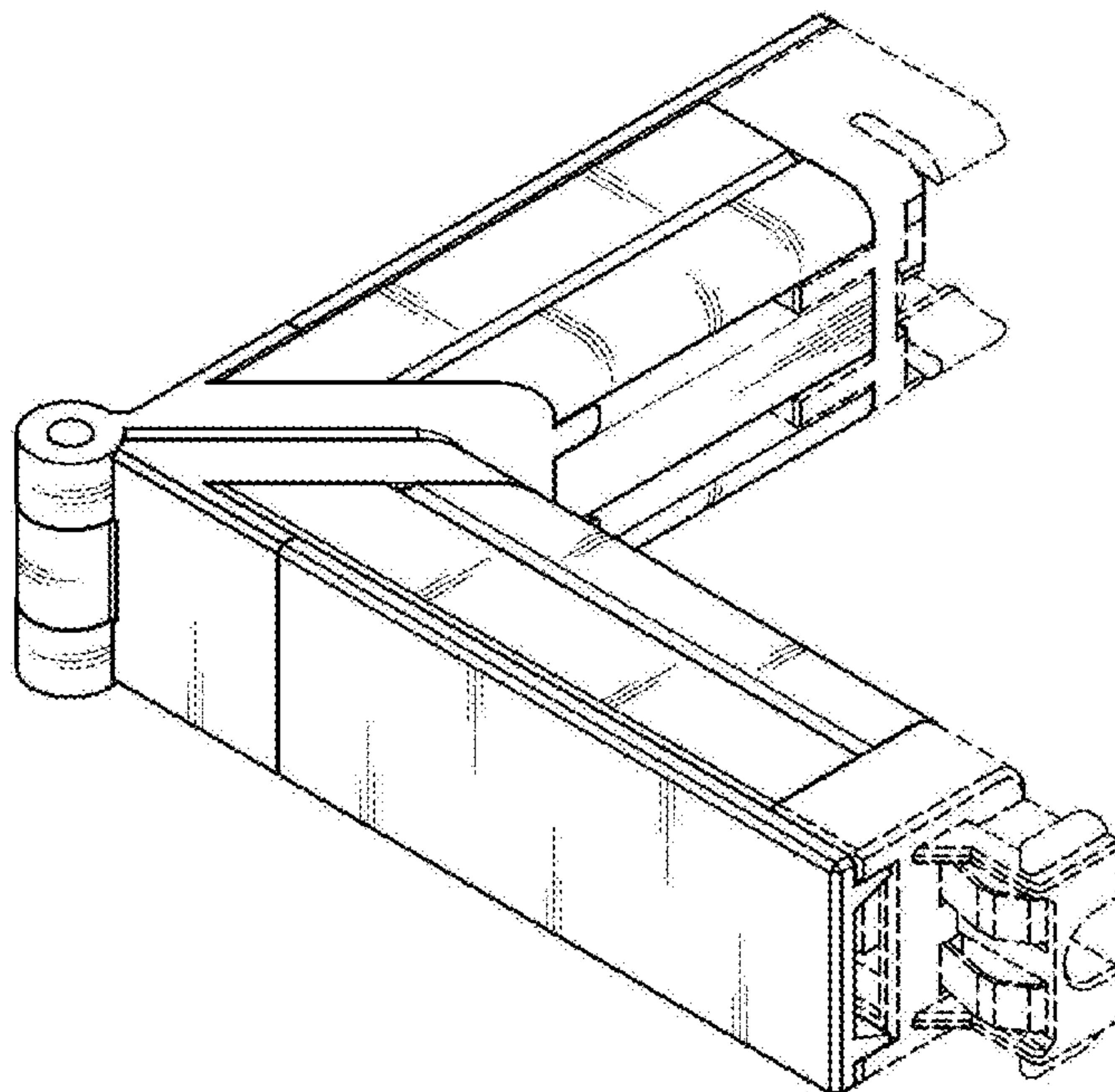


FIG. 1

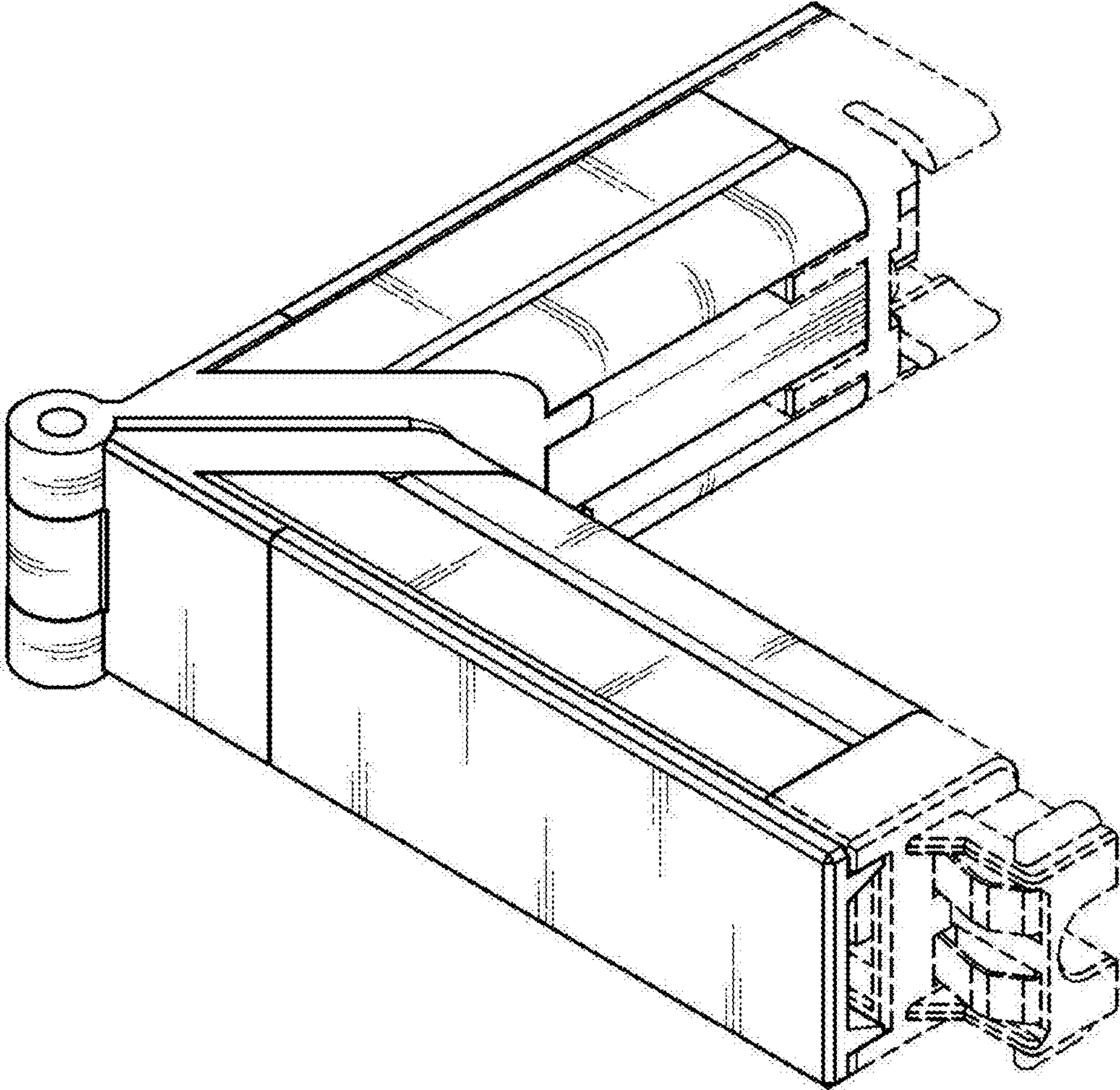


FIG. 2

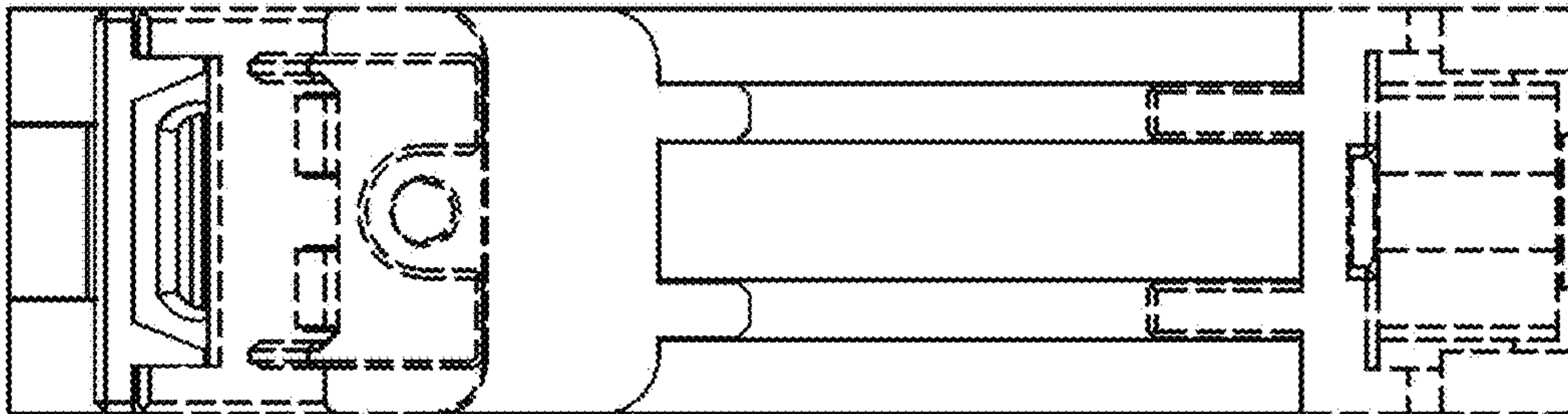


FIG. 3



FIG. 4

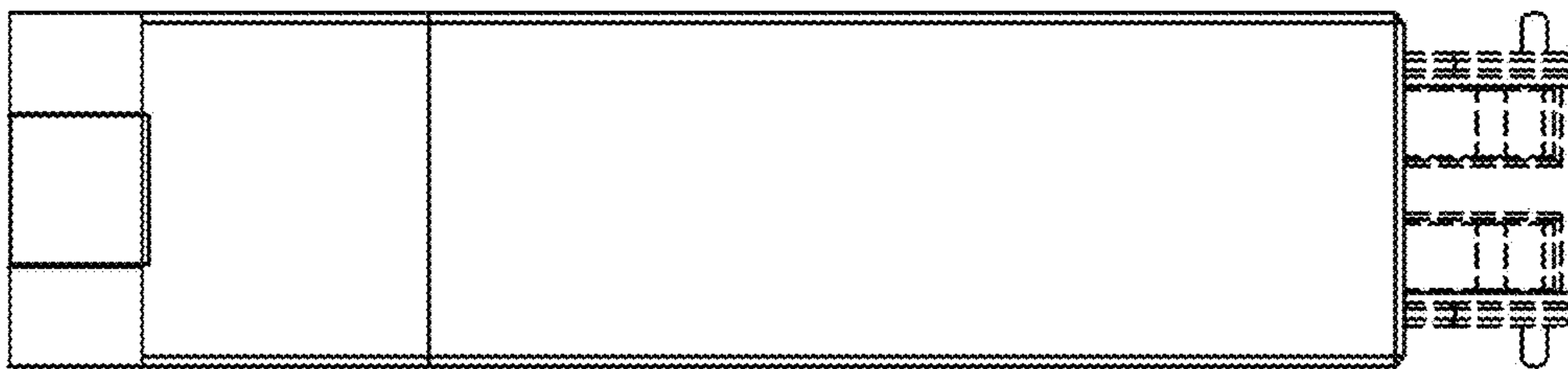


FIG. 5

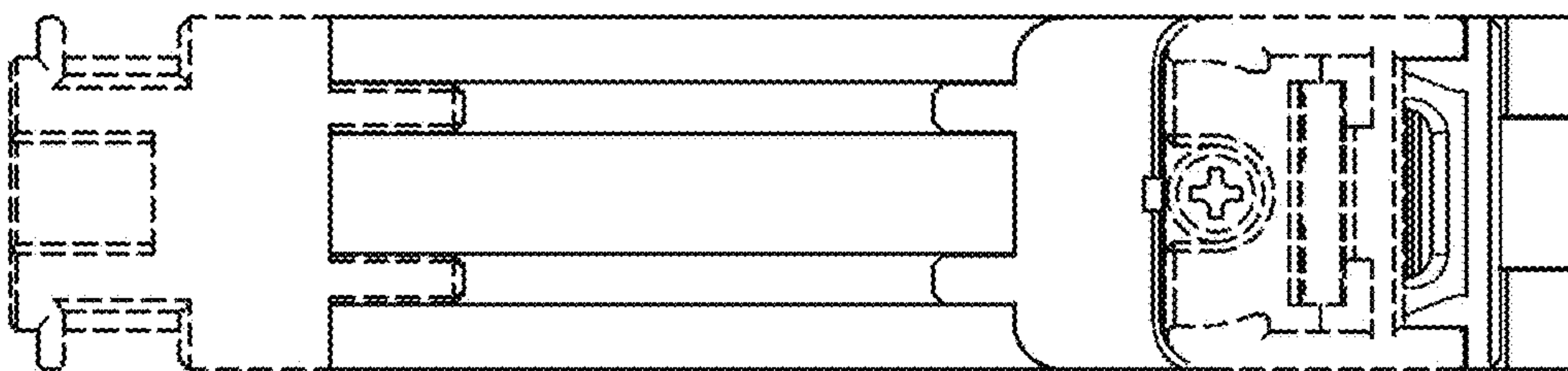


FIG. 6

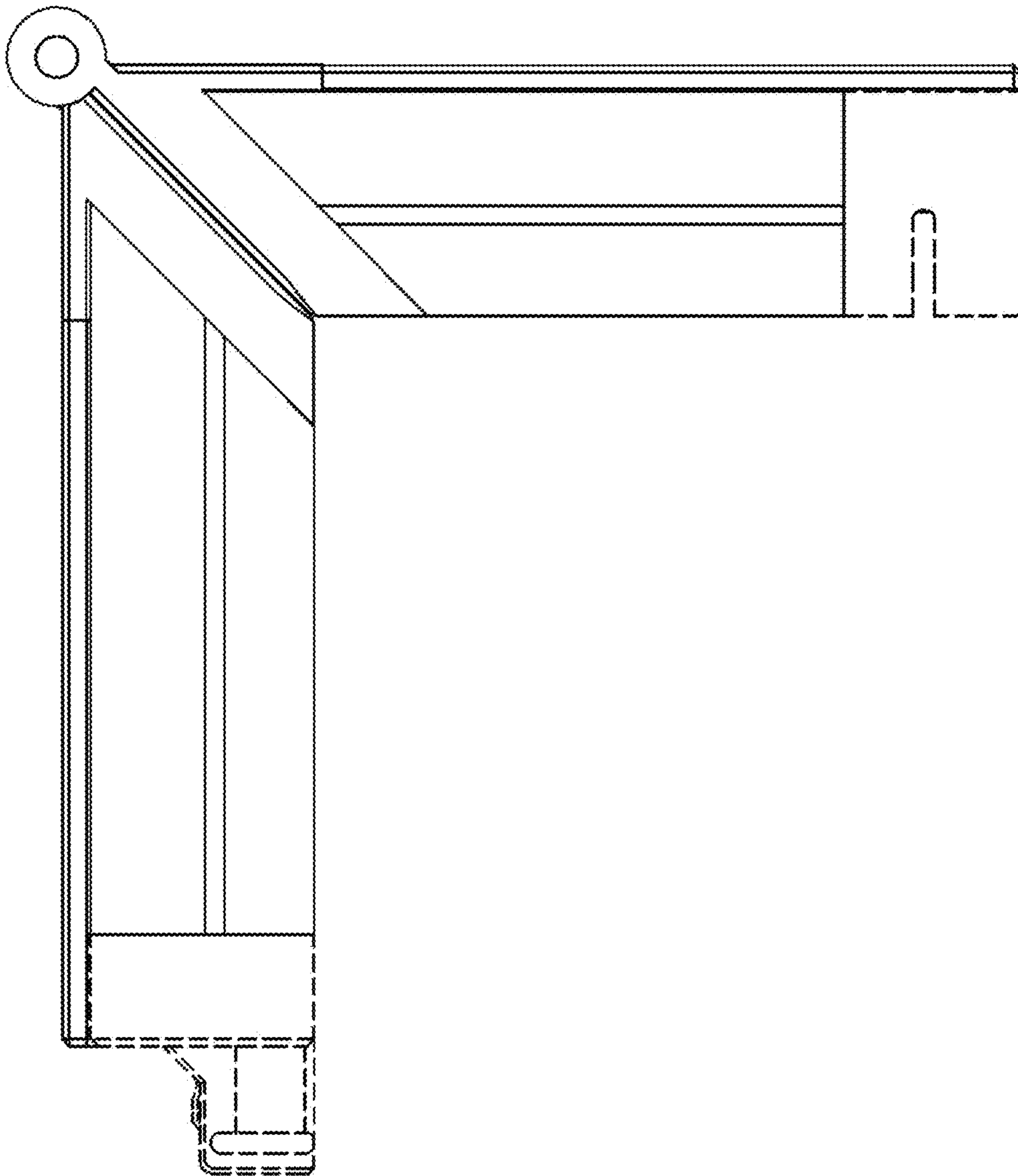


FIG. 7

