



US00D813433S

(12) **United States Design Patent**
Stathis et al.

(10) **Patent No.:** **US D813,433 S**
(45) **Date of Patent:** **** Mar. 20, 2018**

(54) **LIGHTING FIXTURE WITH CORNER PANELS**

(71) Applicants: **Peter Stathis**, The Sea Ranch, CA (US); **Michael McCoy**, Buena Vista, CO (US)

(72) Inventors: **Peter Stathis**, The Sea Ranch, CA (US); **Michael McCoy**, Buena Vista, CO (US)

(**) Term: **15 Years**

(21) Appl. No.: **29/564,216**

(22) Filed: **May 11, 2016**

(51) **LOC (11) Cl.** **26-05**

(52) **U.S. Cl.**
USPC **D26/51**

(58) **Field of Classification Search**
USPC D26/40, 41, 46, 49, 36, 50, 51, 74, 123, D26/124, 1, 2, 4, 5, 6, 22, 67, 71, 91, 96, D26/130, 148, 149, 122, 24, 26, 86, 88, D26/93, 118, 120; 320/110; D13/180; 362/33, 612, 555, 18, 301, 147; D6/332, D6/641, 643, 714

(Continued)

(56) **References Cited**

U.S. PATENT DOCUMENTS

1,270,718 A * 6/1918 Ford A47B 13/081
105/425
D125,139 S 2/1941 May
(Continued)

FOREIGN PATENT DOCUMENTS

KR 300673838.0000 * 12/2012

OTHER PUBLICATIONS

NPL #1: Corner Office, Pablo Designs/McCoy/Strathis, published at metropolis.com, Nov. 2016 by Charles O'Leary © 2017 Metropolis,

online, site visited Dec. 30, 2017. Available from Internet, URL: <http://www.metropolismag.com/architecture/workplace-architecture/portable-privacy/> (Year: 2016).*

(Continued)

Primary Examiner — Shannon W Morgan

Assistant Examiner — Altaira J Swangin

(74) *Attorney, Agent, or Firm* — PatentBest; Andrew McAleavey

(57) **CLAIM**

The ornamental design for a lighting fixture with corner panels, as shown and described.

DESCRIPTION

FIG. 1 is a perspective view of a lighting fixture with corner panels, illustrating my new design;

FIG. 2 is a front elevational view of the lighting fixture with corner panels of FIG. 1;

FIG. 3 is a rear elevational view of the lighting fixture with corner panels of FIG. 1;

FIG. 4 is a right side elevational view of the lighting fixture with corner panels of FIG. 1;

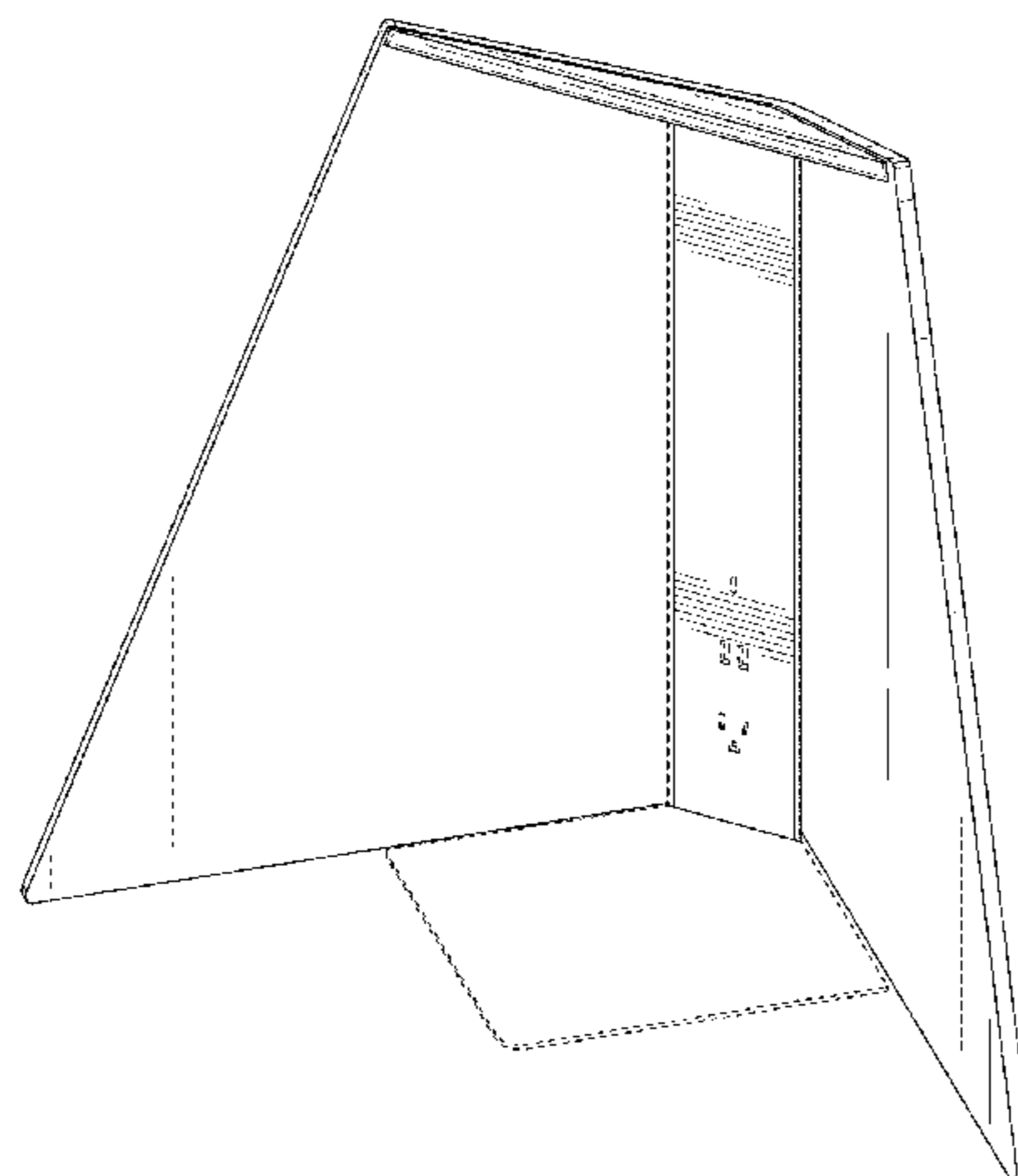
FIG. 5 is a left side elevational view of the lighting fixture with corner panels of FIG. 1;

FIG. 6 is a top view of the lighting fixture with corner panels of FIG. 1; and,

FIG. 7 is a bottom view of the lighting fixture with corner panels of FIG. 1.

In FIGS. 1-7, broken lines are used to illustrate the base of the lighting fixture, which forms no part of the claim. Additionally, in FIGS. 3-5, a broken line is used to delineate the boundary of a disclaimed area of the rear of the corner panels and the lighting fixture, and broken lines are used to illustrate environmental structure within that disclaimed area. In all cases, structure rendered in broken lines forms no part of the claim.

1 Claim, 7 Drawing Sheets



(58) **Field of Classification Search**

CPC . H01M 2/022; F21Y 2115/10; F21Y 2103/20;
F21Y 2105/18; F21Y 2107/30; F21L
4/00; F21L 4/08; A47B 83/001; A47B
87/00

See application file for complete search history.

(56) **References Cited**

U.S. PATENT DOCUMENTS

D136,382 S * 9/1943 Guth 362/217.08
D178,575 S * 8/1956 Larson D26/24
3,184,073 A * 5/1965 Bartolucci A47F 5/112
211/132.1
D203,121 S * 12/1965 Barecki 108/60
D212,641 S 11/1968 Mok
3,418,765 A * 12/1968 Propst A47B 83/001
434/432
D236,024 S * 7/1975 Stentz D26/67
D276,083 S 10/1984 Matthias
D284,109 S 6/1986 Seal
D293,723 S * 1/1988 Buttner D26/129
D309,028 S 7/1990 Kohorn
D321,409 S * 11/1991 Bischof D26/76
D330,469 S * 10/1992 Brodbeck D6/643
5,175,645 A * 12/1992 Bennett B64F 1/18
356/138
D332,534 S * 1/1993 Alford D6/332
D352,140 S * 11/1994 Easton D23/406
D394,518 S * 5/1998 Burrow 26/76
D403,175 S 12/1998 Dardashti
D405,209 S * 2/1999 Walz D26/118
D406,478 S * 3/1999 Rahman D6/683
D455,889 S * 4/2002 Jobin D99/43
D457,359 S * 5/2002 Chan D6/714
D458,463 S * 6/2002 Citterio D6/332
6,424,248 B1 7/2002 Toms et al.
D540,565 S * 4/2007 Nakamura D6/643
D557,867 S * 12/2007 Northrop D30/161
D560,072 S * 1/2008 Willis D6/332
7,322,626 B2 * 1/2008 Thomas B60R 21/12
296/24.3
D565,778 S * 4/2008 Pedersen D26/84
7,375,968 B2 5/2008 Liao
D603,183 S * 11/2009 Abel D6/643
D603,621 S * 11/2009 Abel D6/643
D612,631 S * 3/2010 Pazhoor D6/643
D613,449 S * 4/2010 Ngai D26/120

D616,217 S * 5/2010 Abel D6/643
D616,667 S * 6/2010 Pazhoor D6/643
D616,668 S * 6/2010 Pazhoor D6/643
D622,975 S * 9/2010 Abel D6/643
D623,339 S * 9/2010 Schlabach D26/85
7,837,038 B2 11/2010 Chang et al.
D629,556 S * 12/2010 Alter D26/118
D630,369 S 1/2011 Shapiro
7,901,018 B2 3/2011 Baughman
D646,502 S * 10/2011 Pazhoor D6/643
D653,058 S * 1/2012 Roberts D6/643
D655,448 S * 3/2012 Dykstra D26/118
8,308,324 B2 * 11/2012 Van Horn F21S 2/005
362/427
D671,764 S * 12/2012 Pazhoor D6/643
D671,765 S * 12/2012 Pazhoor D6/643
D671,768 S * 12/2012 Pazhoor D6/643
D672,904 S * 12/2012 Tang D26/93
D698,986 S * 2/2014 Reynolds D26/118
D701,992 S * 4/2014 von Zittwitz D26/118
D703,361 S * 4/2014 Kondou D26/109
D732,235 S * 6/2015 Reynolds D26/118
D750,312 S * 2/2016 Reynolds D26/118
D766,493 S 9/2016 Hoshikawa
D768,908 S 10/2016 Fisher et al.
D774,683 S 12/2016 Wang et al.
D788,974 S 6/2017 Edgar et al.
D790,747 S 6/2017 Stathis et al.
D803,464 S * 11/2017 Stathis D26/104
2005/0016080 A1 1/2005 Williams et al.
2008/0134601 A1 6/2008 Cruz
2008/0271648 A1 11/2008 Baughman
2013/0063007 A1 * 3/2013 Pazhoor E04H 1/1255
312/237
2014/0340880 A1 11/2014 Benner
2015/0033642 A1 2/2015 Johnson et al.
2017/0328127 A1 * 11/2017 Stathis E06B 9/24

OTHER PUBLICATIONS

NPL #2: Corner Office brochure, spec sheet and instructions, McCoy/Strathis, published at pablodesigns.com, date and author not listed © Pablo, online, site visited Dec. 30, 2017. Available from Internet, URL: <http://pablo.pablodesigns.com/product/corner-office> (Year: 0000).*
International Search Report and Written Opinion for PCT/US2017/031564 (ISA/US), dated Jul. 13, 2017.

* cited by examiner

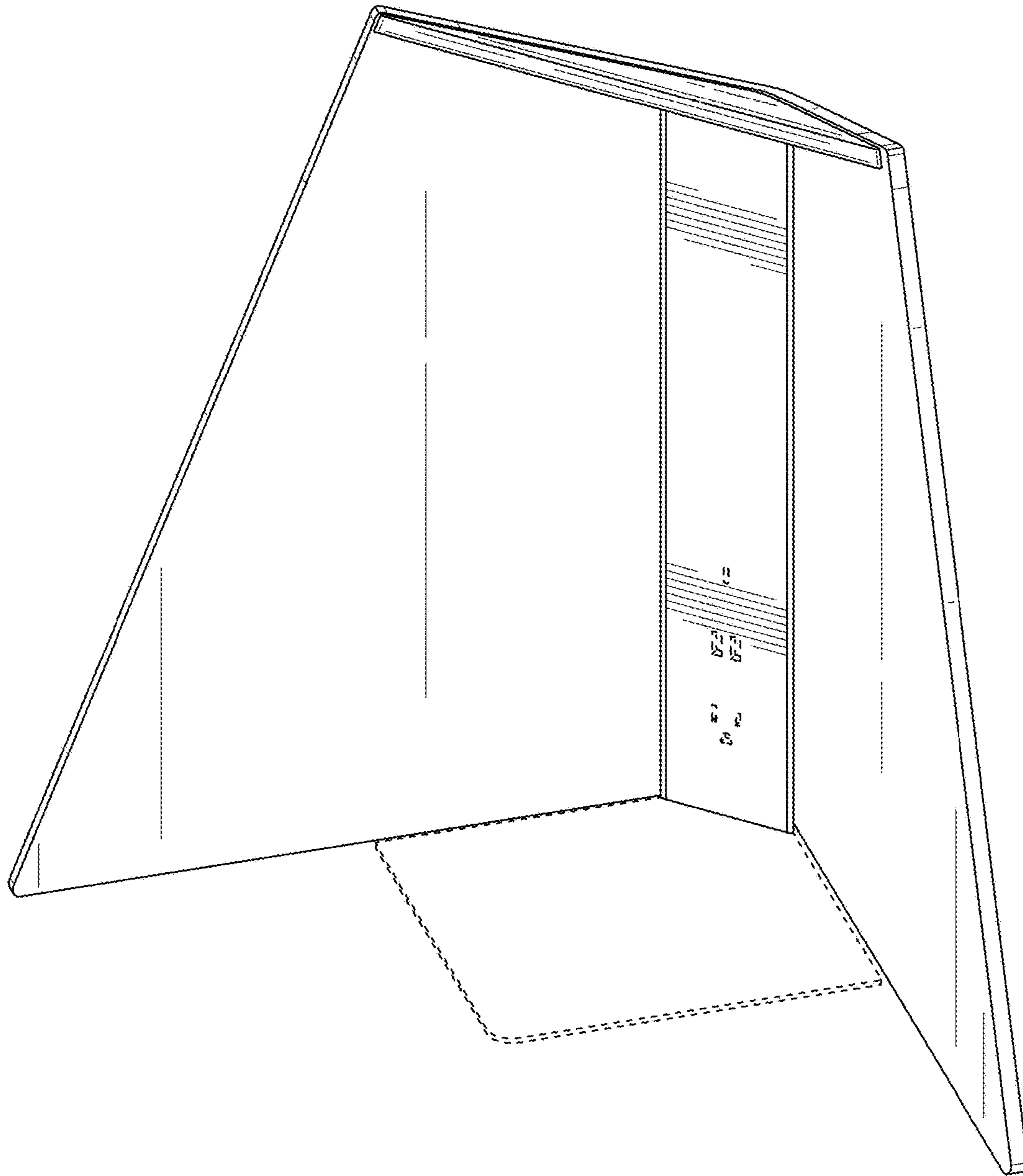


FIG. 1

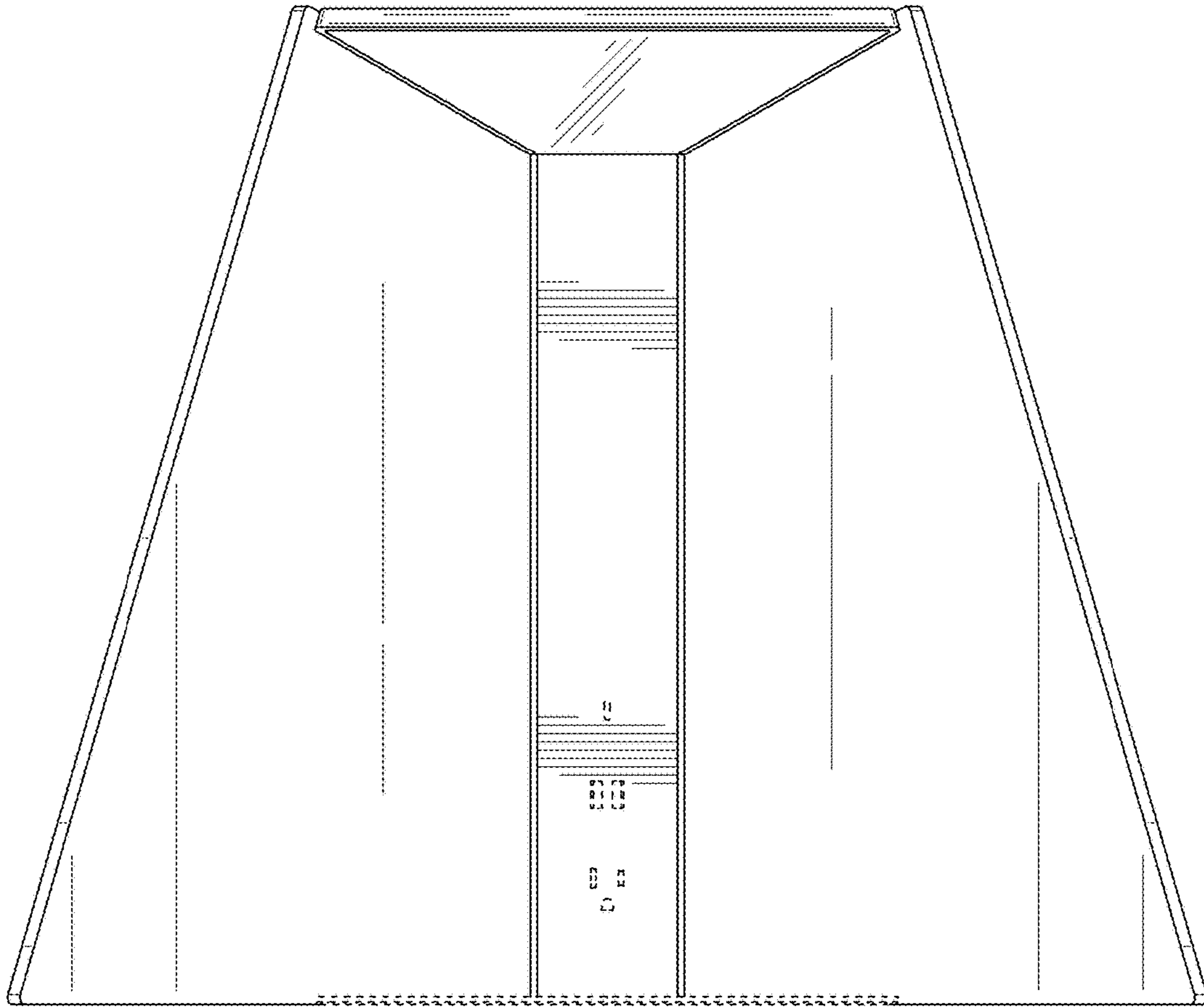


FIG. 2

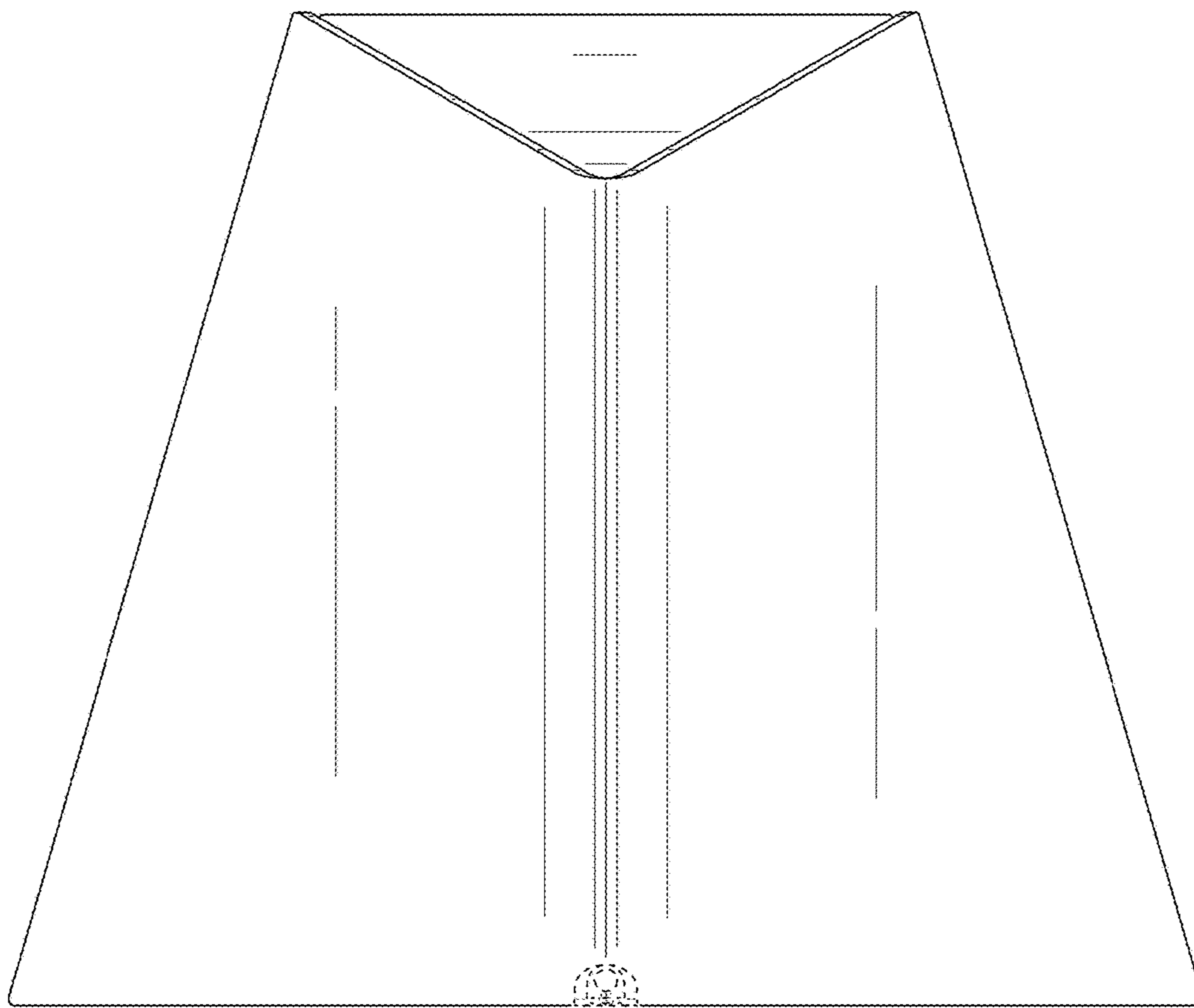


FIG. 3

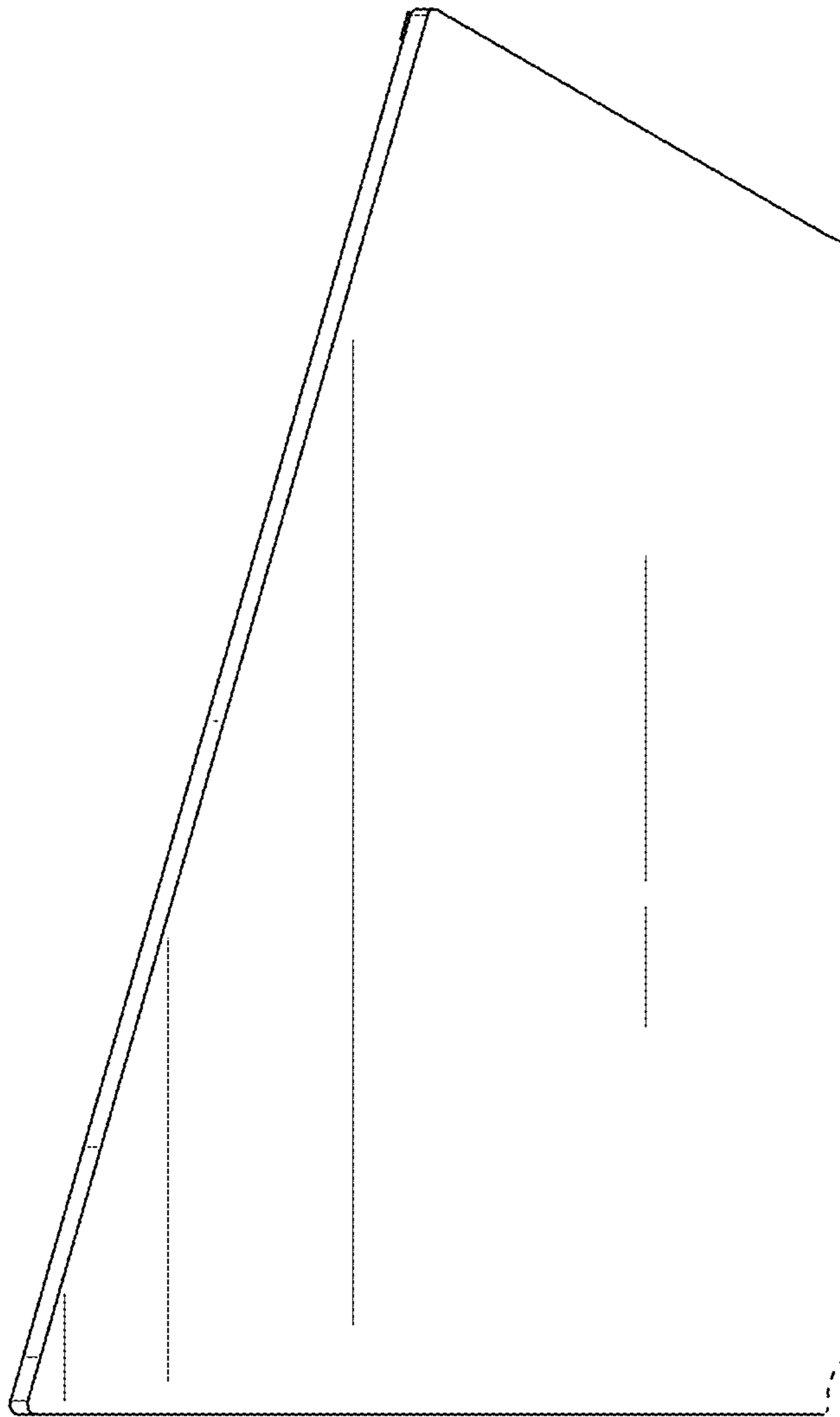


FIG. 4

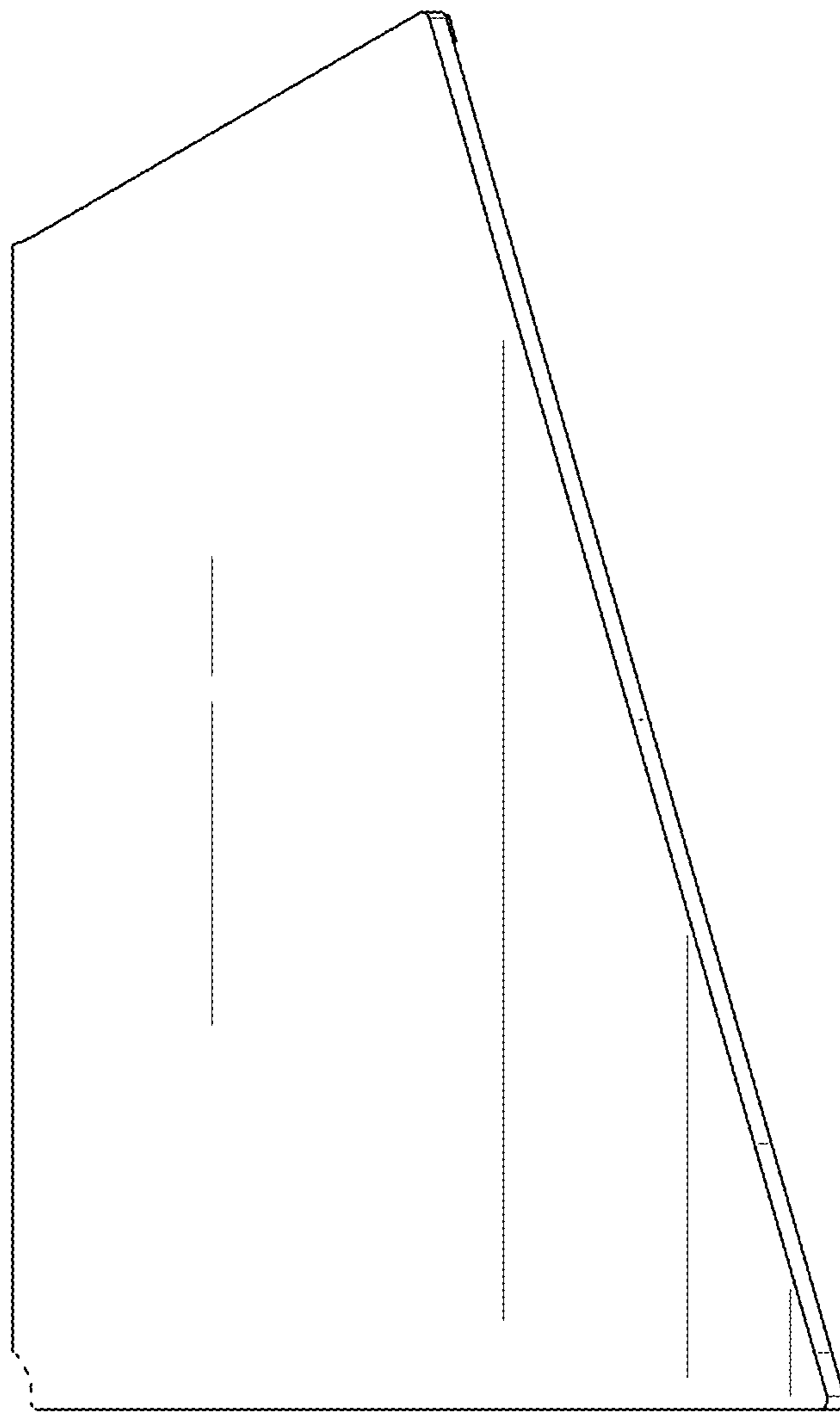


FIG. 5

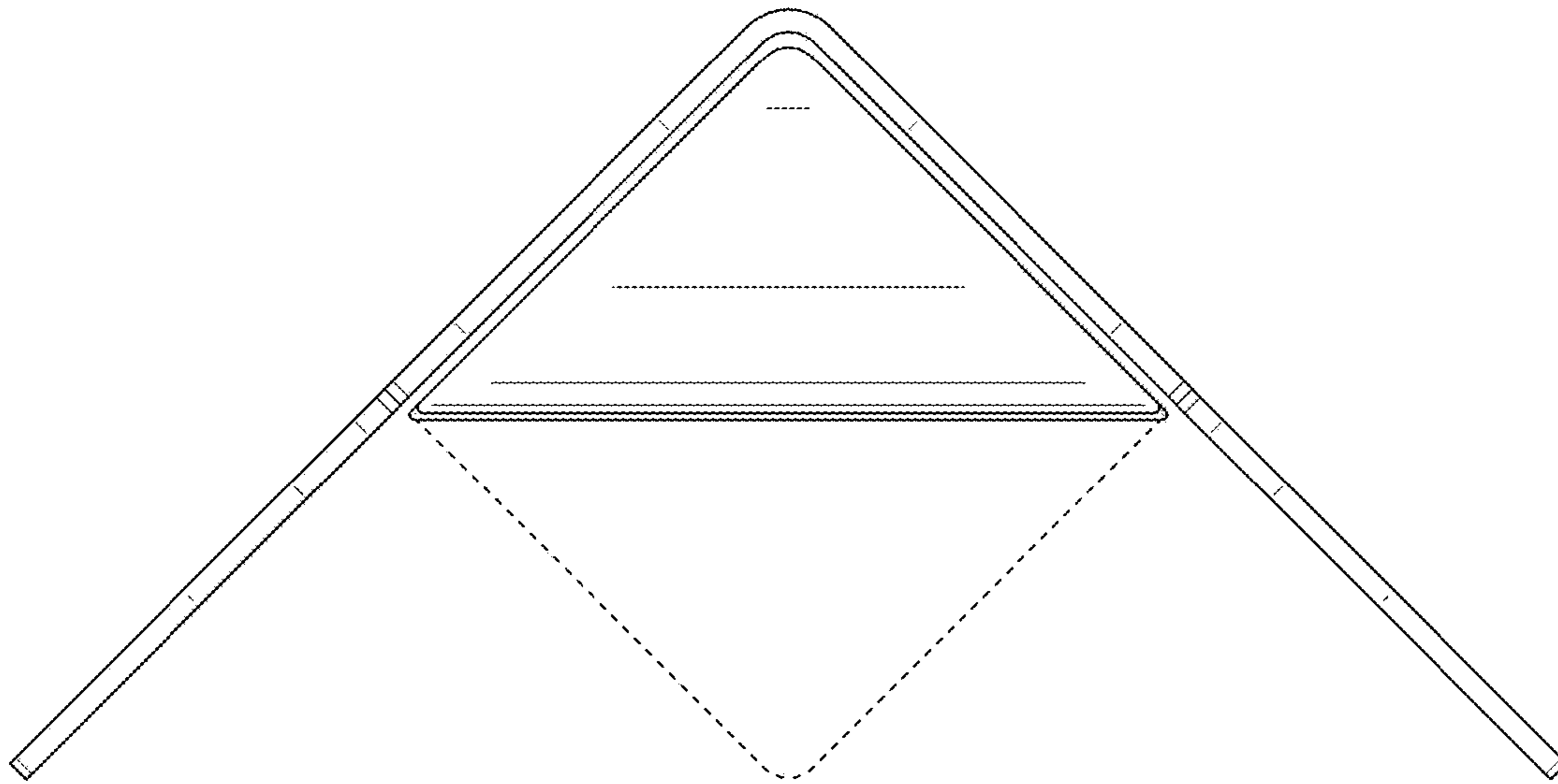


FIG. 6

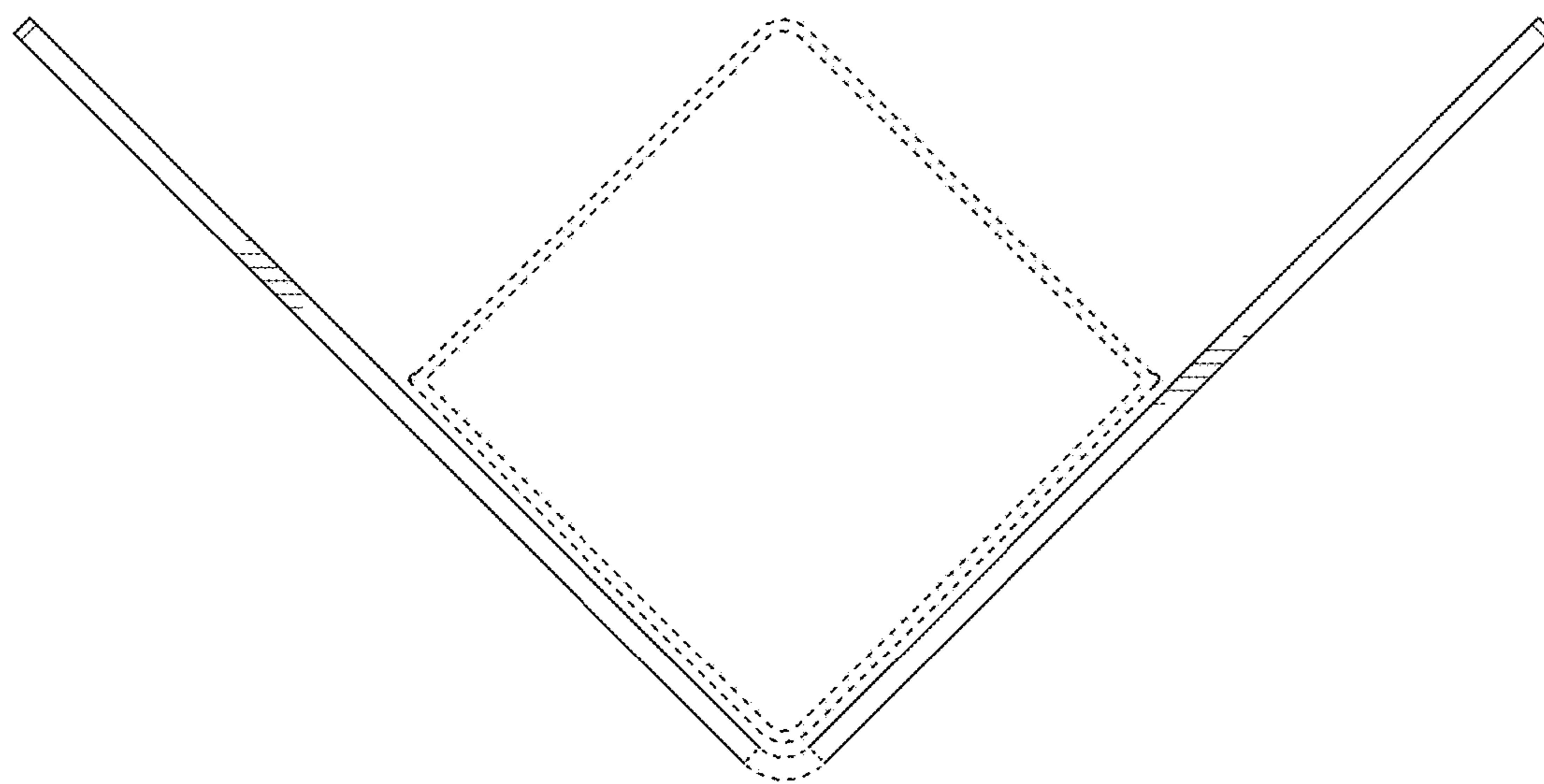


FIG. 7