



US00D813431S

(12) **United States Design Patent** (10) **Patent No.:** **US D813,431 S**  
**Cacciabeve** (45) **Date of Patent:** **\*\* Mar. 20, 2018**

- (54) **PORTABLE LIGHT LENS**
- (71) Applicant: **Walter R. Tucker Enterprises, Ltd.**,  
Deposit, NY (US)
- (72) Inventor: **Robert Cacciabeve**, Boonton, NJ (US)
- (73) Assignee: **Walter R. Tucker Enterprises, Ltd.**,  
Deposit, NY (US)
- (\*\*) Term: **15 Years**
- (21) Appl. No.: **29/559,763**
- (22) Filed: **Mar. 31, 2016**

- D606,691 S 12/2009 Lindholm
- D608,938 S 1/2010 Schmitt et al.
- D629,561 S 12/2010 Kim et al.
- D630,374 S 1/2011 Leen
- 7,932,528 B2 4/2011 Tessnow
- D639,469 S \* 6/2011 Zhuang ..... D26/37
- D702,865 S 4/2014 Yuen
- D706,478 S 6/2014 Yuen
- D731,988 S 6/2015 Urtiga et al.
- D732,220 S 6/2015 Bao
- D735,387 S 7/2015 Bao
- D738,022 S 9/2015 Shen
- D742,058 S 10/2015 Chen
- D744,139 S 11/2015 Itoh et al.
- D744,964 S \* 12/2015 Sachsenweger ..... D13/180
- D748,448 S 2/2016 Nelson

(Continued)

**Related U.S. Application Data**

- (63) Continuation of application No. 29/542,750, filed on Oct. 16, 2015.
- (51) **LOC (11) Cl.** ..... **26-02**
- (52) **U.S. Cl.**  
USPC ..... **D26/37**
- (58) **Field of Classification Search**  
USPC ..... D24/46, 49, 37, 38, 51  
CPC . F21L 4/04; F21L 4/08; F21L 2005/00; F21L  
7/00; F21L 11/00; F21L 13/00; F21L  
13/04; F21L 13/08; F21L 14/02; F21L  
17/00  
See application file for complete search history.

*Primary Examiner* — Lakiya Rogers  
*Assistant Examiner* — Carissa C Fitts  
(74) *Attorney, Agent, or Firm* — Breiner & Breiner,  
L.L.C.

(57) **CLAIM**

The ornamental design for a portable light lens, as shown and described.

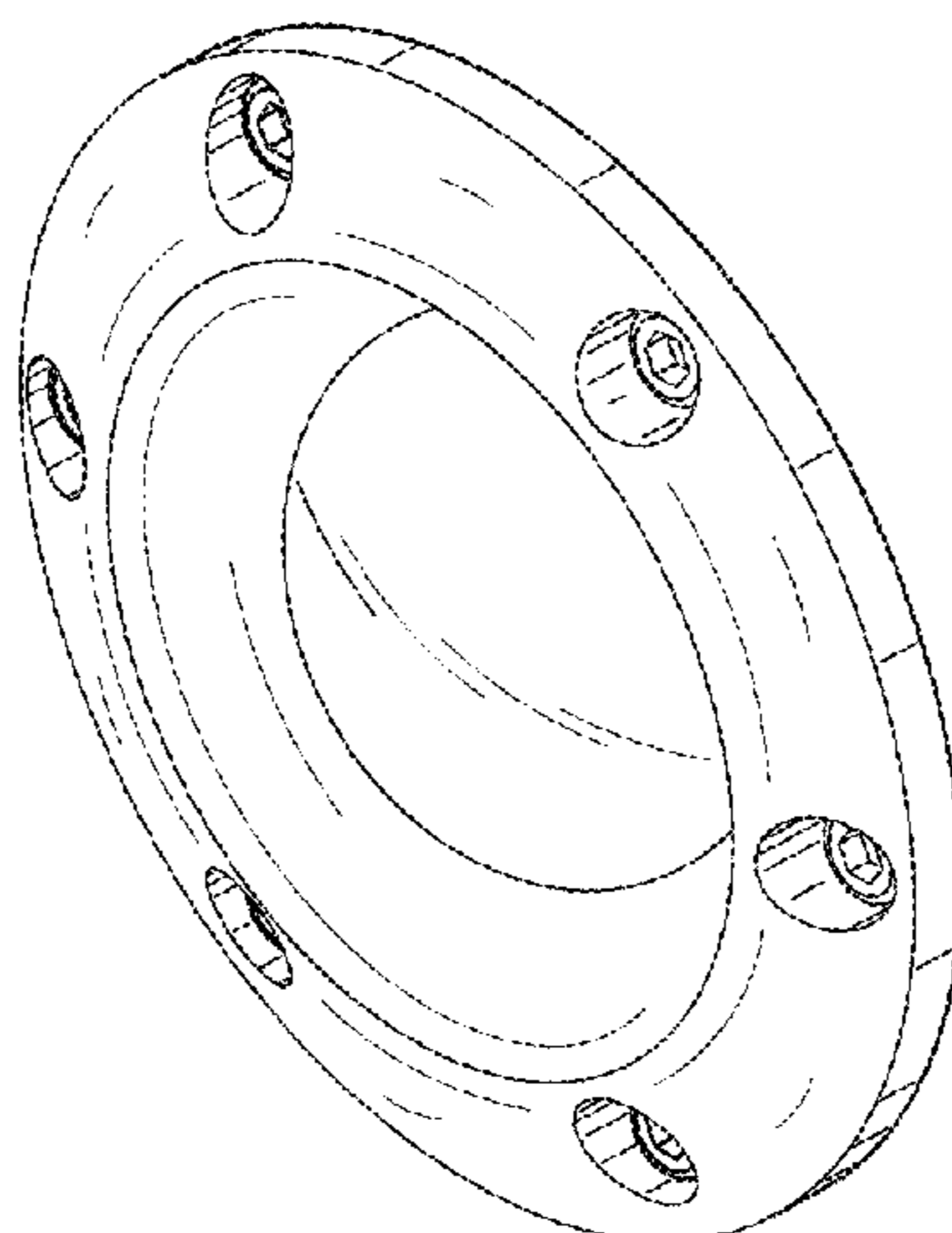
**DESCRIPTION**

FIG. 1 is a front/side elevational perspective view of the portable light lens;  
FIG. 2 is a front view of the portable light lens of FIG. 1;  
FIG. 3 is a front view of the portable light lens of FIG. 1 in an environment of use;  
FIG. 4 is a front/side elevational perspective view of another embodiment of the portable light lens;  
FIG. 5 is a front view of the portable light lens of FIG. 4; and,  
FIG. 6 is a front view of the portable light lens of FIG. 4 in an environment of use.  
The broken lines are for environmental purposes only and form no part of the claimed design.

(56) **References Cited**  
U.S. PATENT DOCUMENTS

- D217,638 S 5/1970 Magi
- D316,305 S 4/1991 Court
- 5,469,345 A 11/1995 Petersen et al.
- 5,720,543 A 2/1998 Sheps
- D438,667 S 3/2001 Leen
- D441,491 S 5/2001 Leen
- D469,212 S 1/2003 Chui
- 6,629,771 B2 10/2003 Chui
- D553,771 S 10/2007 Watson et al.

**1 Claim, 4 Drawing Sheets**



(56)

**References Cited**

## U.S. PATENT DOCUMENTS

D750,307 S \* 2/2016 Borring ..... D26/63  
D750,832 S \* 3/2016 Lehman ..... D26/120  
D751,739 S \* 3/2016 Hamasaki ..... D26/28  
D753,333 S \* 4/2016 Hamasaki ..... D26/120  
D754,900 S \* 4/2016 Mumma ..... D26/60  
D757,585 S \* 5/2016 Hojmose ..... D10/106.1  
D766,481 S \* 9/2016 Lipson ..... D26/63  
2005/0018421 A1 \* 1/2005 Parsons ..... A44B 15/005  
362/196  
2006/0087846 A1 4/2006 Yuen  
2007/0115674 A1 5/2007 Tessnow  
2011/0063849 A1 \* 3/2011 Alexander ..... F21S 48/328  
362/294  
2011/0140147 A1 \* 6/2011 Chen ..... F21V 5/04  
257/98  
2011/0193111 A1 \* 8/2011 Seo ..... H01L 25/0753  
257/89  
2012/0327665 A1 \* 12/2012 Pickard ..... F21V 7/0008  
362/294  
2013/0241435 A1 9/2013 Lamvik et al.  
2013/0272016 A1 \* 10/2013 Weaver ..... F21K 9/54  
362/555  
2014/0126192 A1 5/2014 Ancona et al.  
2014/0313706 A1 10/2014 Itoh et al.  
2015/0263239 A1 9/2015 Watanabe

\* cited by examiner

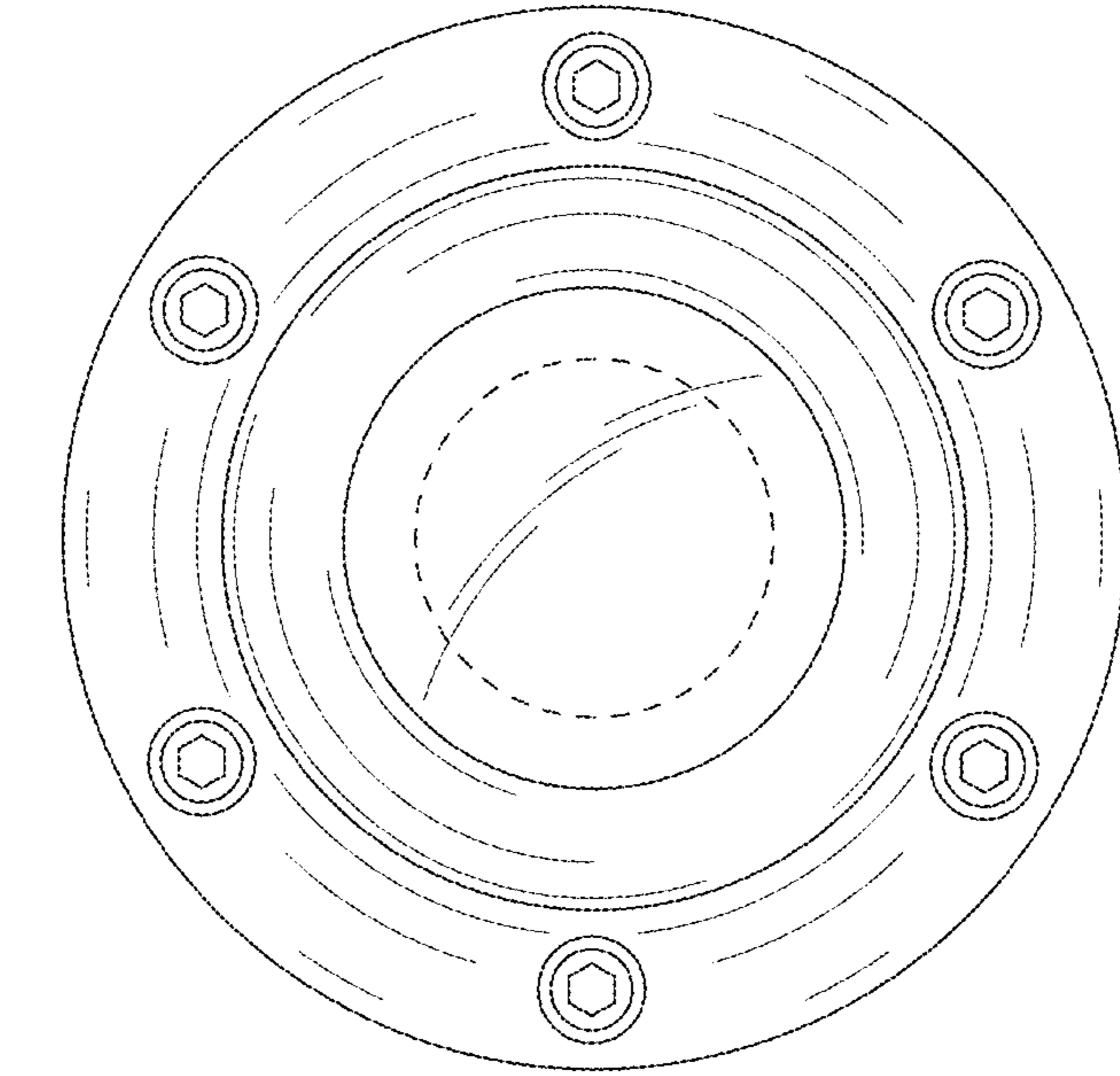


FIG. 1

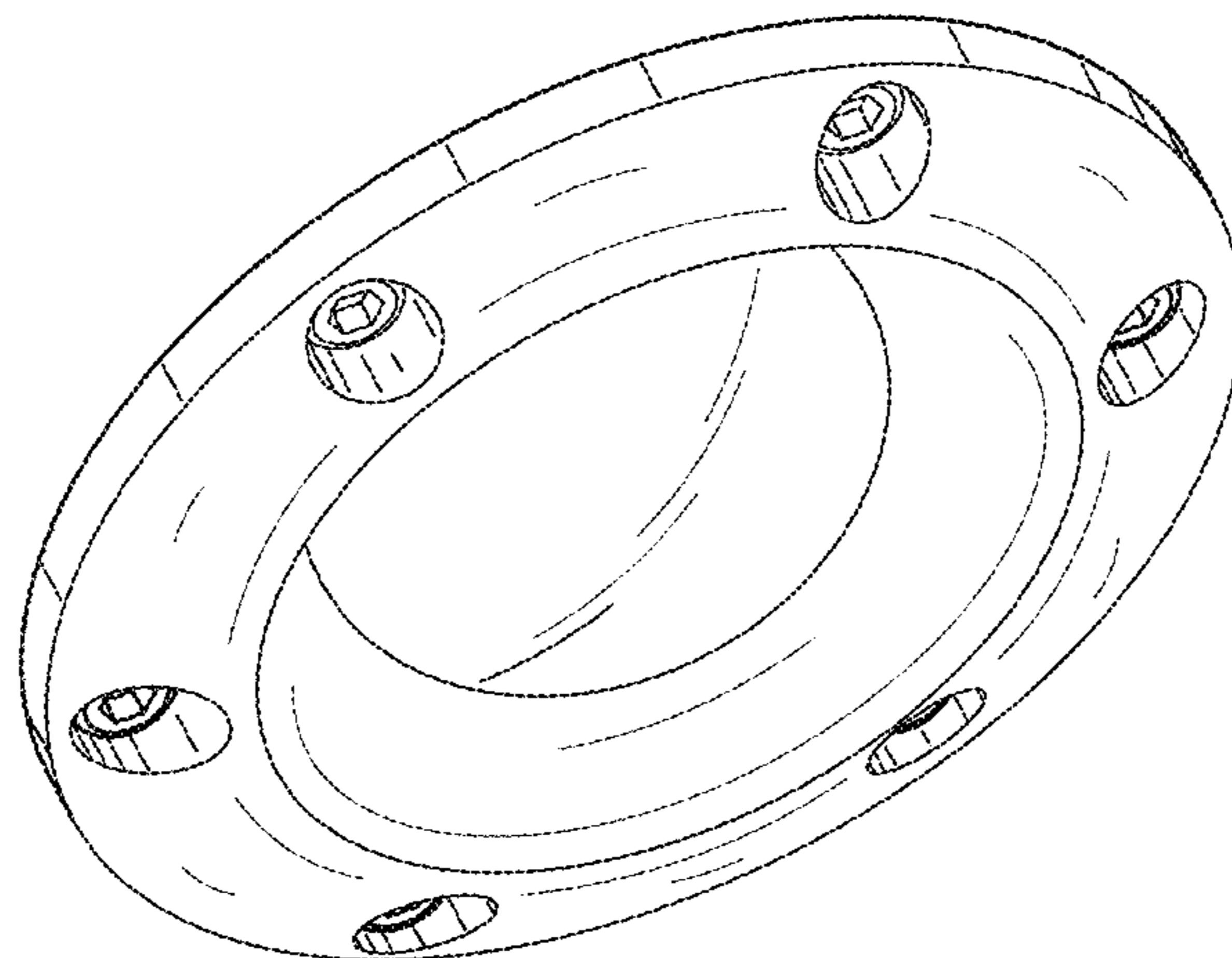


FIG. 2

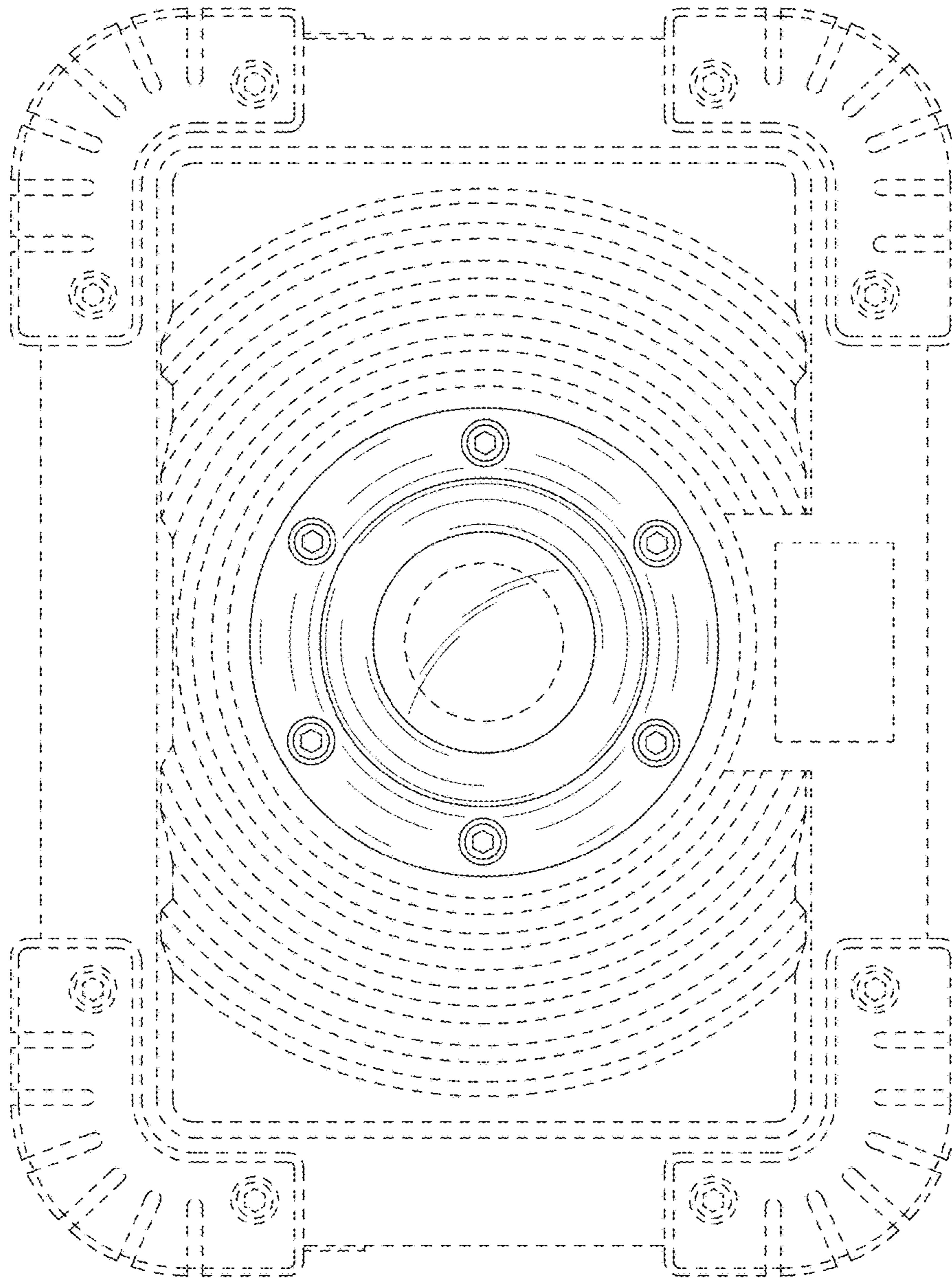
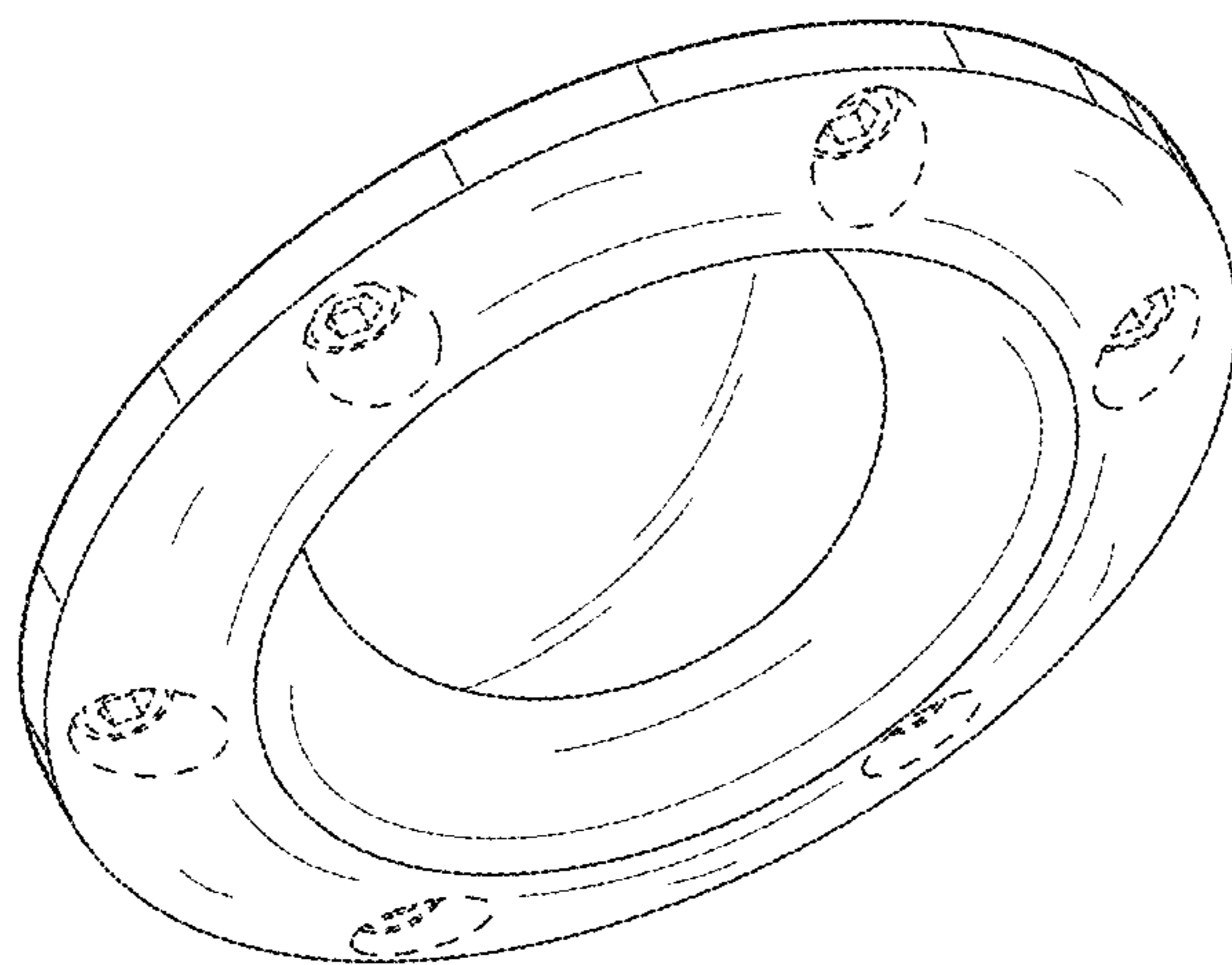
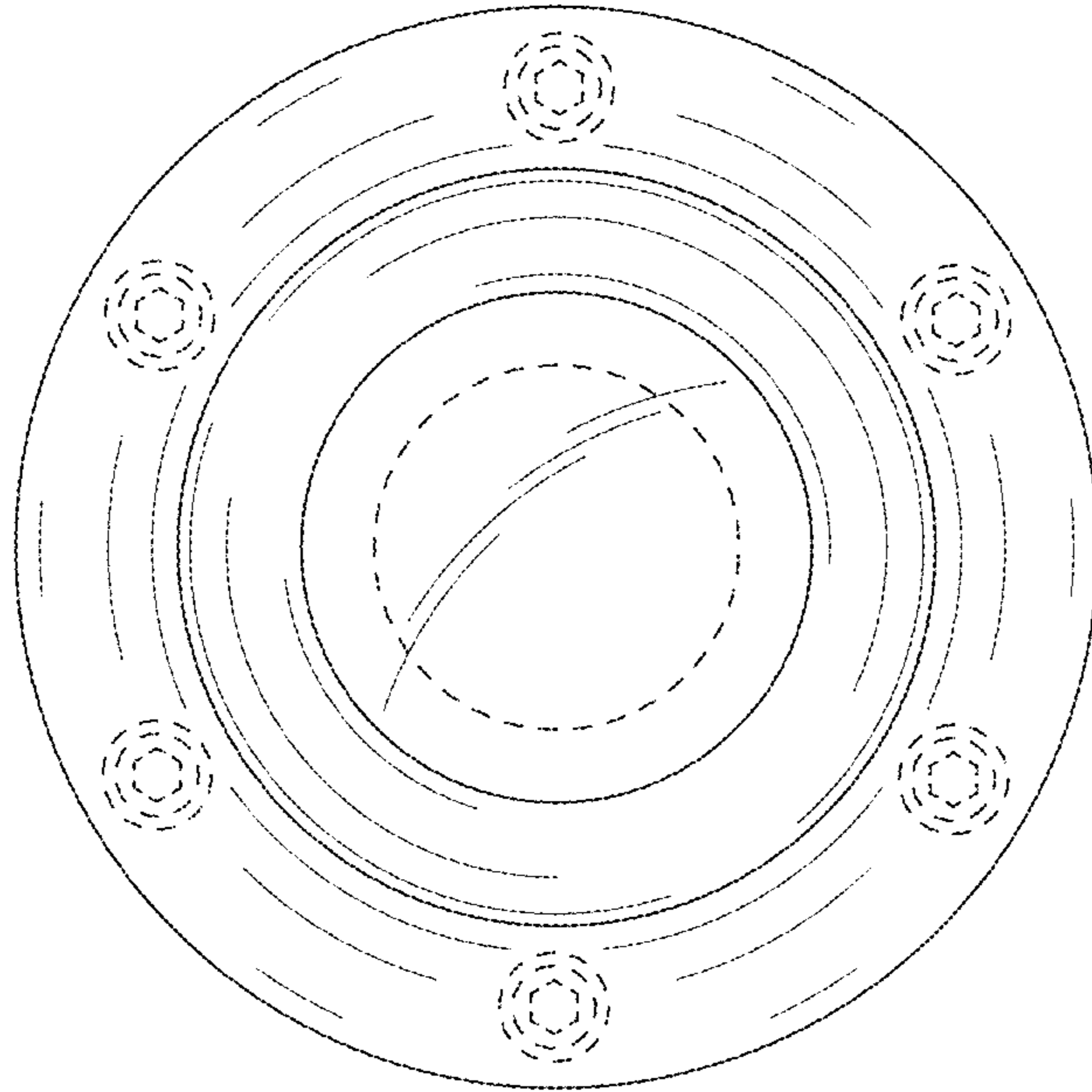


FIG. 3



**FIG. 4**



**FIG. 5**

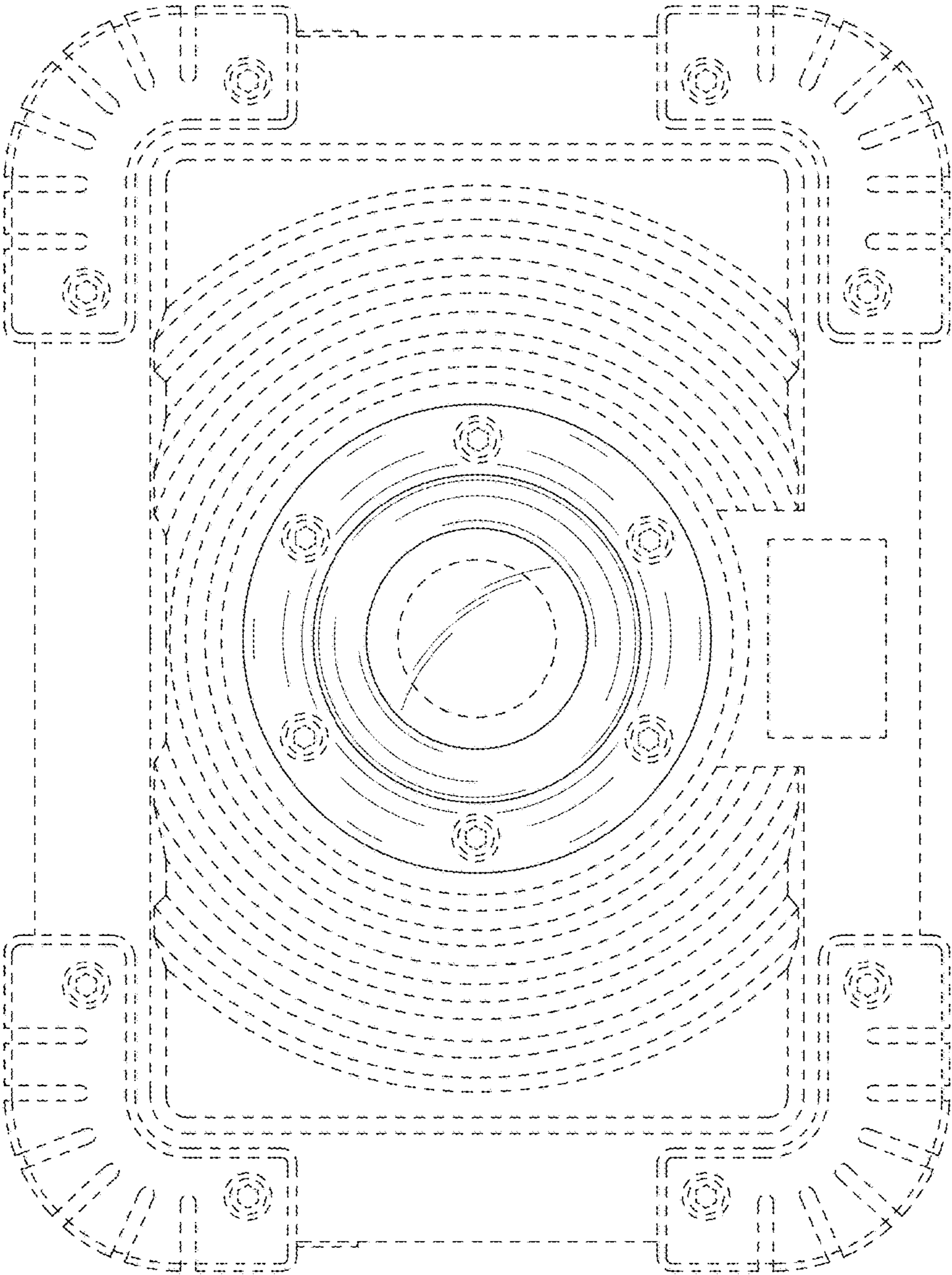


FIG. 6