



US00D813430S

(12) **United States Design Patent**  
**Miller et al.**

(10) **Patent No.:** **US D813,430 S**  
(45) **Date of Patent:** **\*\* Mar. 20, 2018**

(54) **BACK-UP LIGHT FOR A VEHICLE**

(71) Applicants: **Arthur Miller**, Davie, FL (US); **Daniel Spencer**, Tamarac, FL (US)

(72) Inventors: **Arthur Miller**, Davie, FL (US); **Daniel Spencer**, Tamarac, FL (US)

(\*\*) Term: **15 Years**

(21) Appl. No.: **29/589,015**

(22) Filed: **Dec. 27, 2016**

(51) **LOC (11) Cl.** ..... **26-06**

(52) **U.S. Cl.**  
USPC ..... **D26/28**

(58) **Field of Classification Search**  
USPC ..... D26/28-36; 362/80-83, 267-269,  
362/459-468, 475-478, 485-487  
CPC ..... F21S 48/00; F21S 48/10; F21S 48/115;  
F21S 48/1233; F21S 48/1266; F21S  
48/1388; F21S 48/2268; F21V 21/04  
See application file for complete search history.

(56) **References Cited**

**U.S. PATENT DOCUMENTS**

5,209,559 A 5/1993 Ruppel  
6,422,728 B1 7/2002 Riggin  
D471,655 S 3/2003 Brusing  
6,543,917 B1 4/2003 Berlinghof

7,048,419 B1 5/2006 Rodriguez  
D530,437 S \* 10/2006 Neufeglise ..... D26/28  
D561,360 S \* 2/2008 Wang ..... D26/28  
8,770,809 B2 7/2014 Kiser  
D733,946 S \* 7/2015 Chen ..... D26/28  
D735,910 S \* 8/2015 Chang ..... D26/28  
D770,069 S \* 10/2016 Goltche ..... D26/28  
2014/0145837 A1 5/2014 Douglas

**FOREIGN PATENT DOCUMENTS**

WO 2003049972 A1 6/2003

\* cited by examiner

*Primary Examiner* — Marcus Jackson

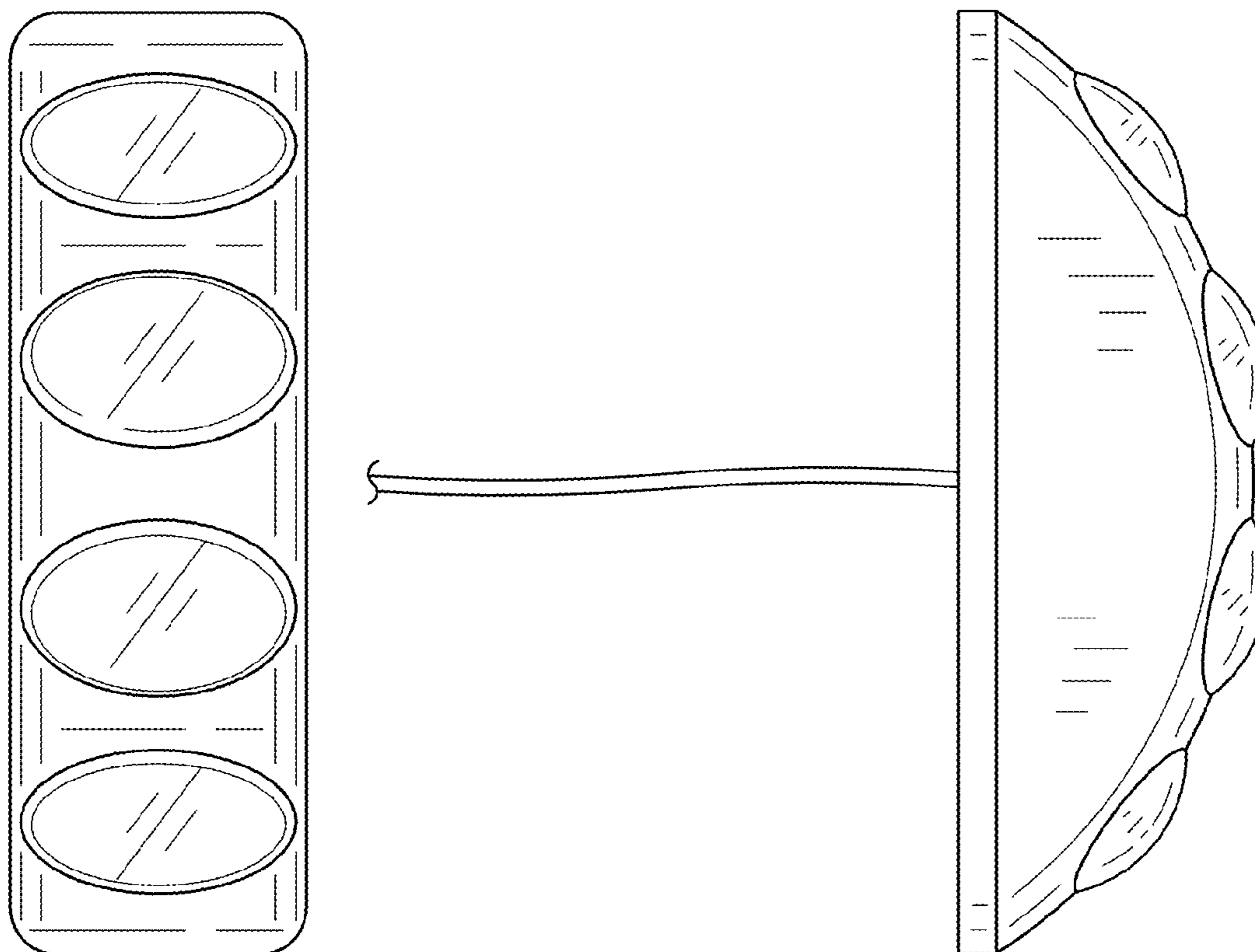
(57) **CLAIM**

We claim the ornamental design for a back-up light for a vehicle, as shown and described.

**DESCRIPTION**

FIG. 1 is a front view of the back-up light for a vehicle. FIG. 2 is a back view of the claimed design. FIG. 3 is a side view of the claimed design. FIG. 4 is a top view of the claimed design; and, FIG. 5 is a perspective view thereof, with the broken lines showing for illustrative purposes only and forming no part of the claimed design. The broken lines appearing on FIG. 5 of a truck are broken lines that form no part of the claimed design.

**1 Claim, 3 Drawing Sheets**



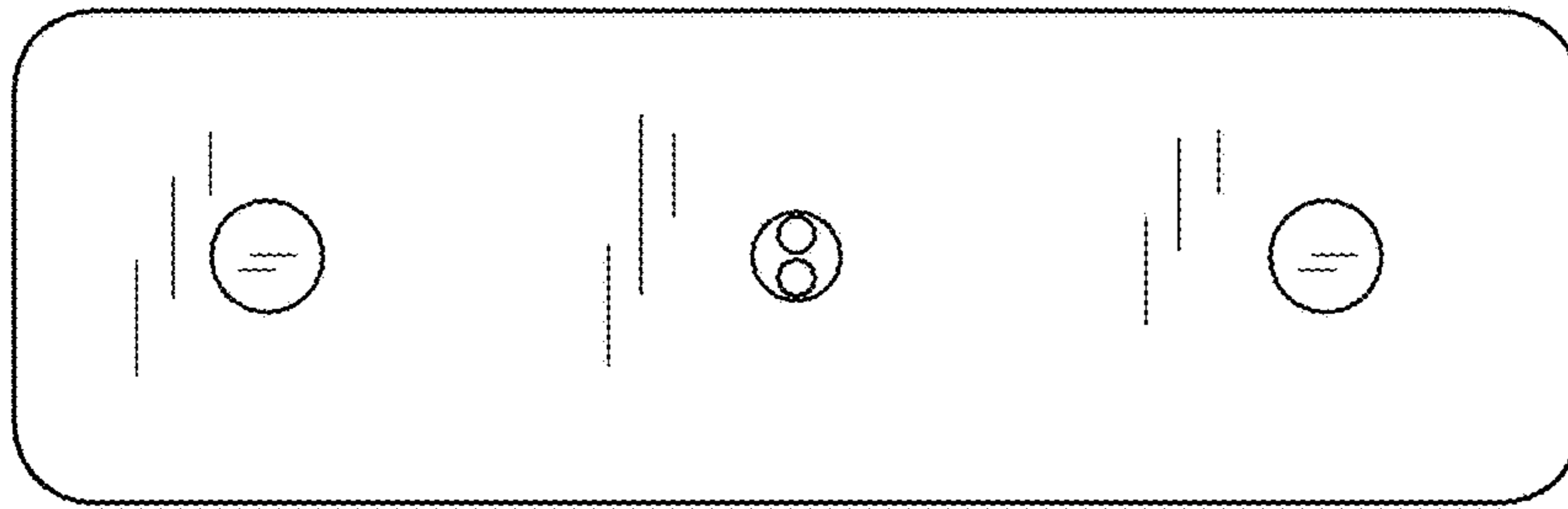


FIG. 2

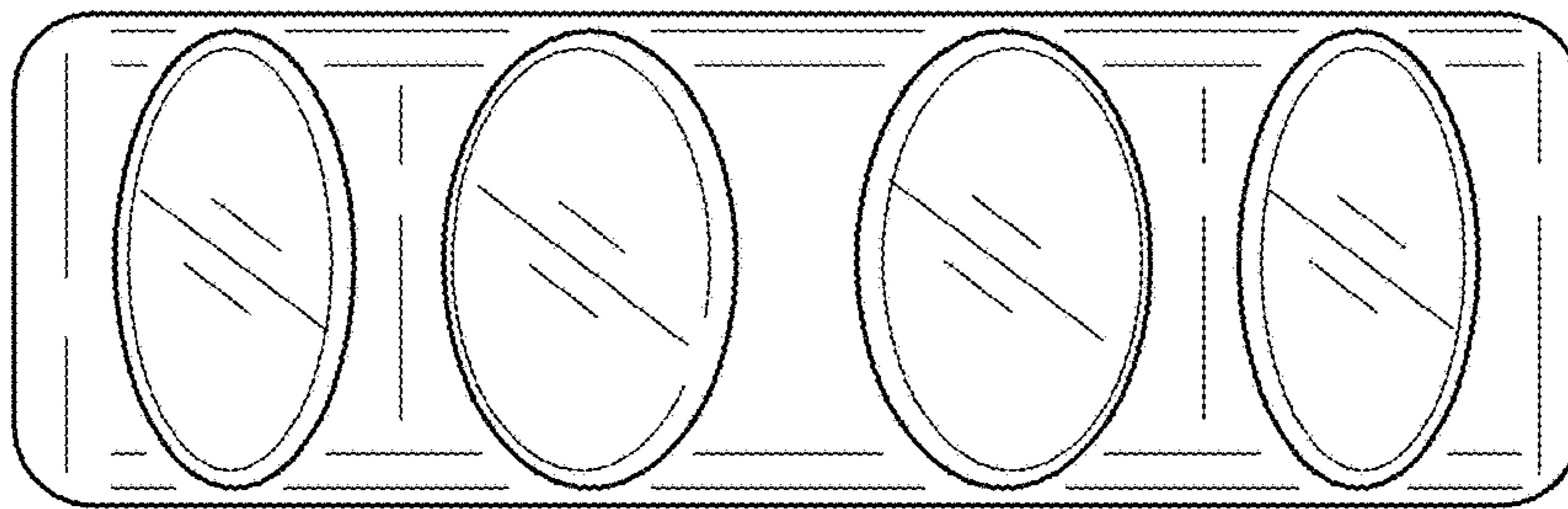


FIG. 1

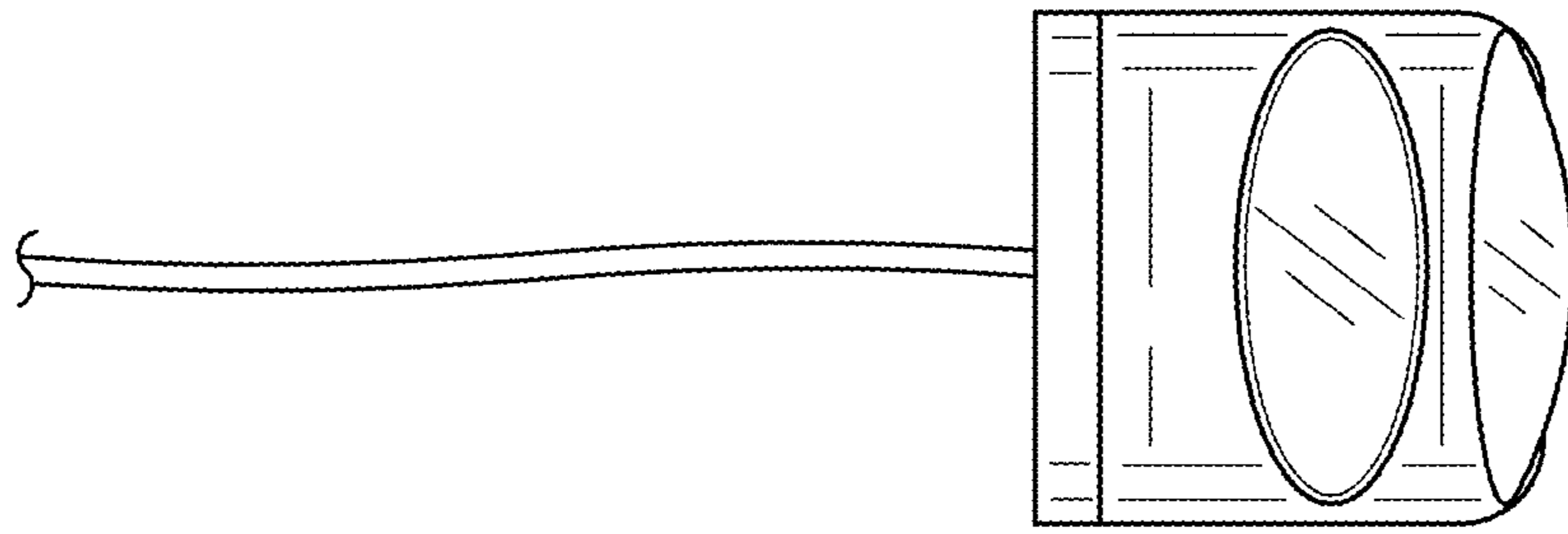


FIG. 4

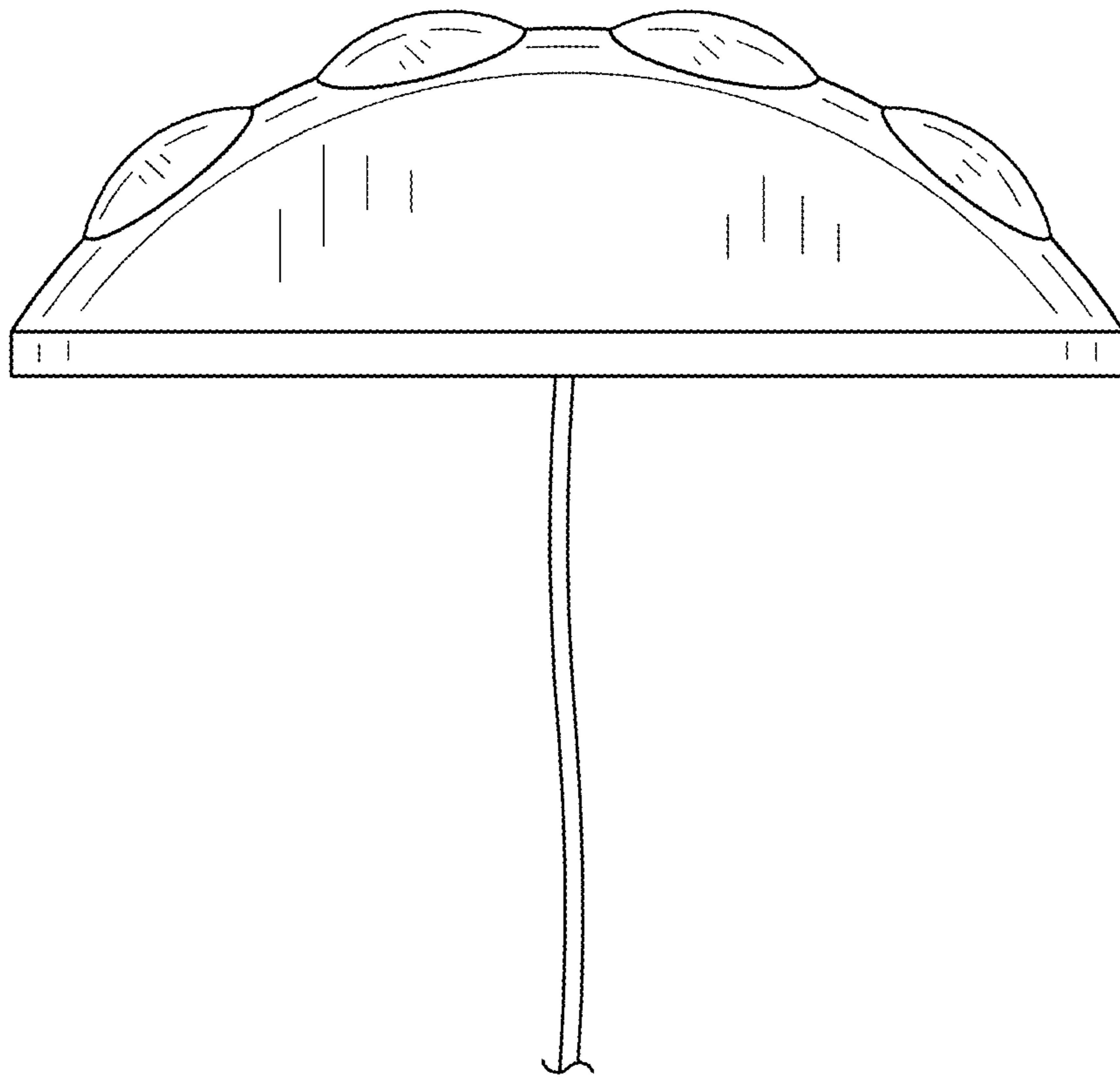


FIG. 3

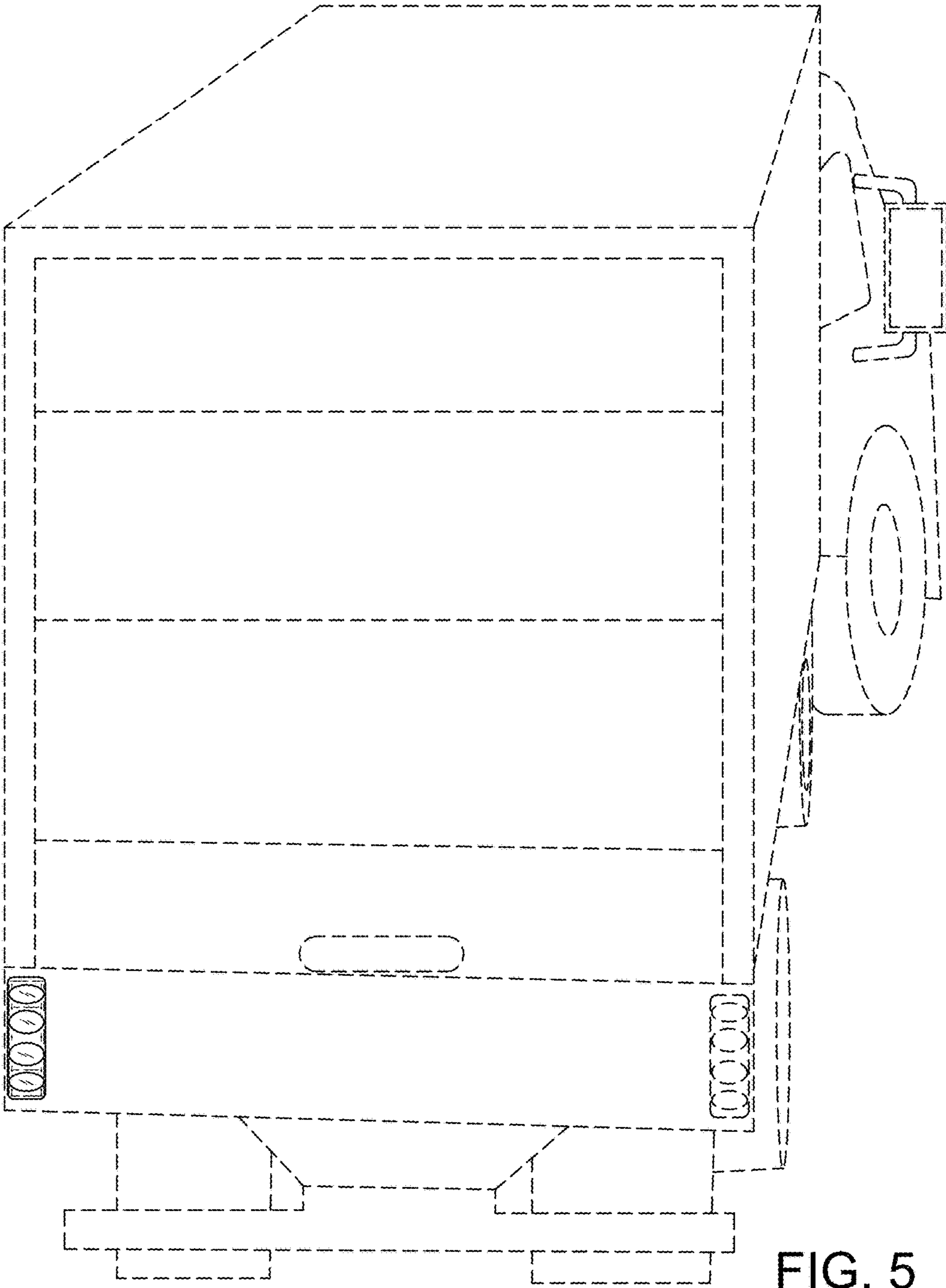


FIG. 5