



US00D813428S

(12) **United States Design Patent** (10) **Patent No.:** **US D813,428 S**
Inscore et al. (45) **Date of Patent:** **** Mar. 20, 2018**

(54) **ILLUMINATION DEVICE**
(71) Applicants: **Terry Glynn Inscore**, Pearland, TX
(US); **Mark Jason Inscore**, Pearland,
TX (US)
(72) Inventors: **Terry Glynn Inscore**, Pearland, TX
(US); **Mark Jason Inscore**, Pearland,
TX (US)
(**) Term: **15 Years**

6,033,084 A 3/2000 Burke
6,231,219 B1 * 5/2001 Lohss B60Q 7/00
362/191
6,666,372 B1 12/2003 Nagel
7,018,069 B1 3/2006 Barton
7,033,049 B2 4/2006 Spahr et al.
7,178,936 B2 2/2007 Lai
D542,449 S * 5/2007 Racoosin D26/51
7,350,692 B2 4/2008 Bushee et al.
D595,875 S * 7/2009 Irvine D26/24
D634,039 S * 3/2011 Lee D26/24
2016/0223174 A1 8/2016 Inscore et al.

(21) Appl. No.: **29/576,913**
(22) Filed: **Sep. 8, 2016**

* cited by examiner

Primary Examiner — Brian N. Vinson
(74) *Attorney, Agent, or Firm* — Buche & Associates,
P.C.; John K. Buche; Scott D. Compton

Related U.S. Application Data

(63) Continuation-in-part of application No. 14/608,615,
filed on Jan. 29, 2015, now abandoned.
(51) **LOC (11) Cl.** **26-02**
(52) **U.S. Cl.**
USPC **D26/24**
(58) **Field of Classification Search**
USPC D26/1, 24, 26, 37, 38, 46, 118
CPC . A45C 15/06; A45D 33/32; F21L 4/02; F21L
7/00; F21L 15/06; F21K 9/00; F21K
9/30; F21V 23/00; F21V 23/02; F21V
23/04; F21V 23/005; F21V 23/023; F21V
31/00; F21V 31/005
See application file for complete search history.

(57) **CLAIM**

The ornamental design for an illumination device, as shown
and described.

DESCRIPTION

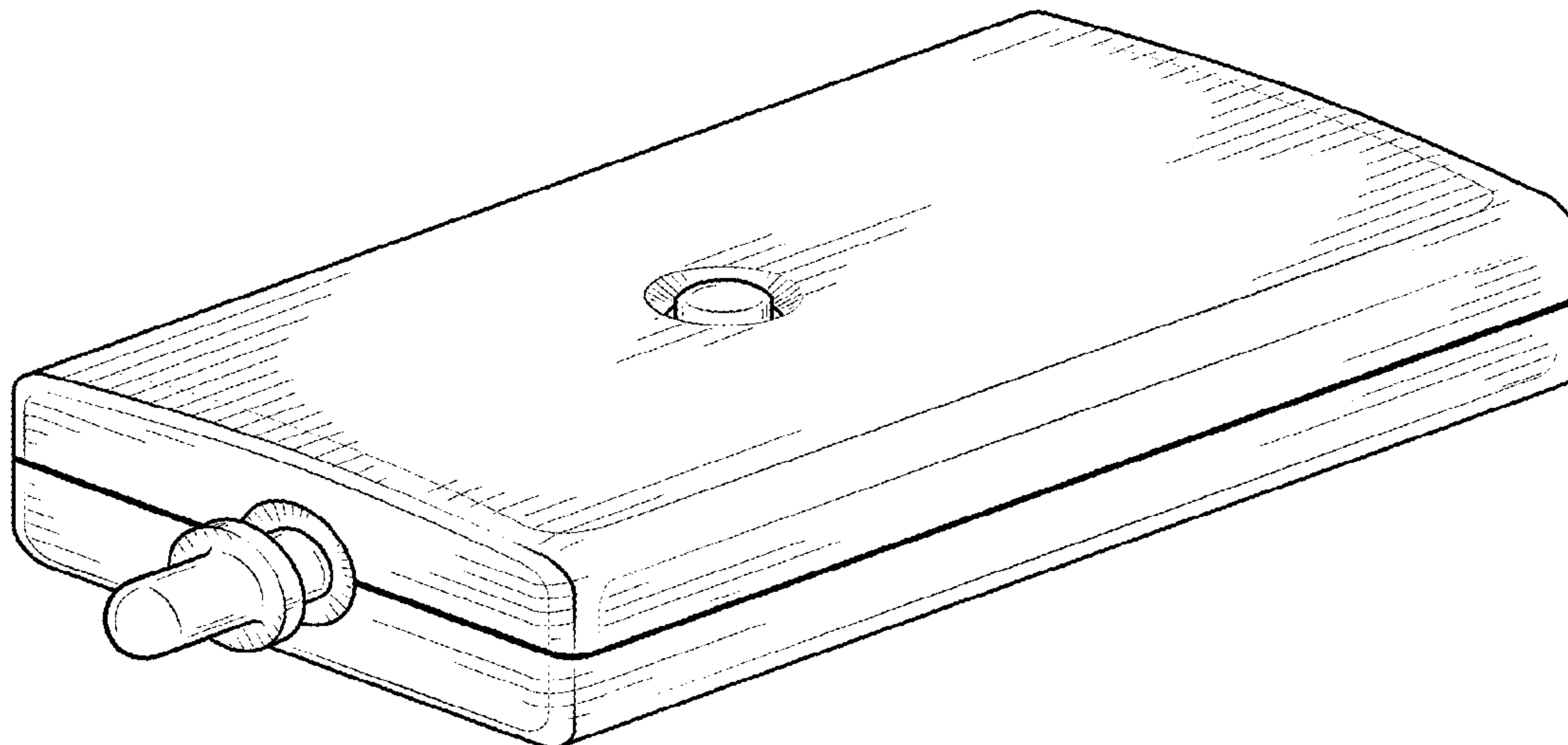
FIG. 1 is a perspective view of an illumination device
showing our new design;
FIG. 2 is a right side view thereof;
FIG. 3 is a left side view thereof;
FIG. 4 is a top view thereof;
FIG. 5 is a bottom view thereof;
FIG. 6 is a front view thereof;
FIG. 7 is a back view thereof; and,
FIG. 8 is a front view of the illumination device in its
environment.
The ornamental design which is claimed is shown in solid
lines in the drawings. The broken lines in the drawings
depict environmental structure and form no part of the
claimed design.

(56) **References Cited**

U.S. PATENT DOCUMENTS

4,964,565 A 10/1990 Wood
5,032,957 A 7/1991 Canfield
D356,172 S * 3/1995 Vance D26/46
D397,465 S * 8/1998 Youri D26/38
5,975,713 A 11/1999 Brothers

1 Claim, 4 Drawing Sheets



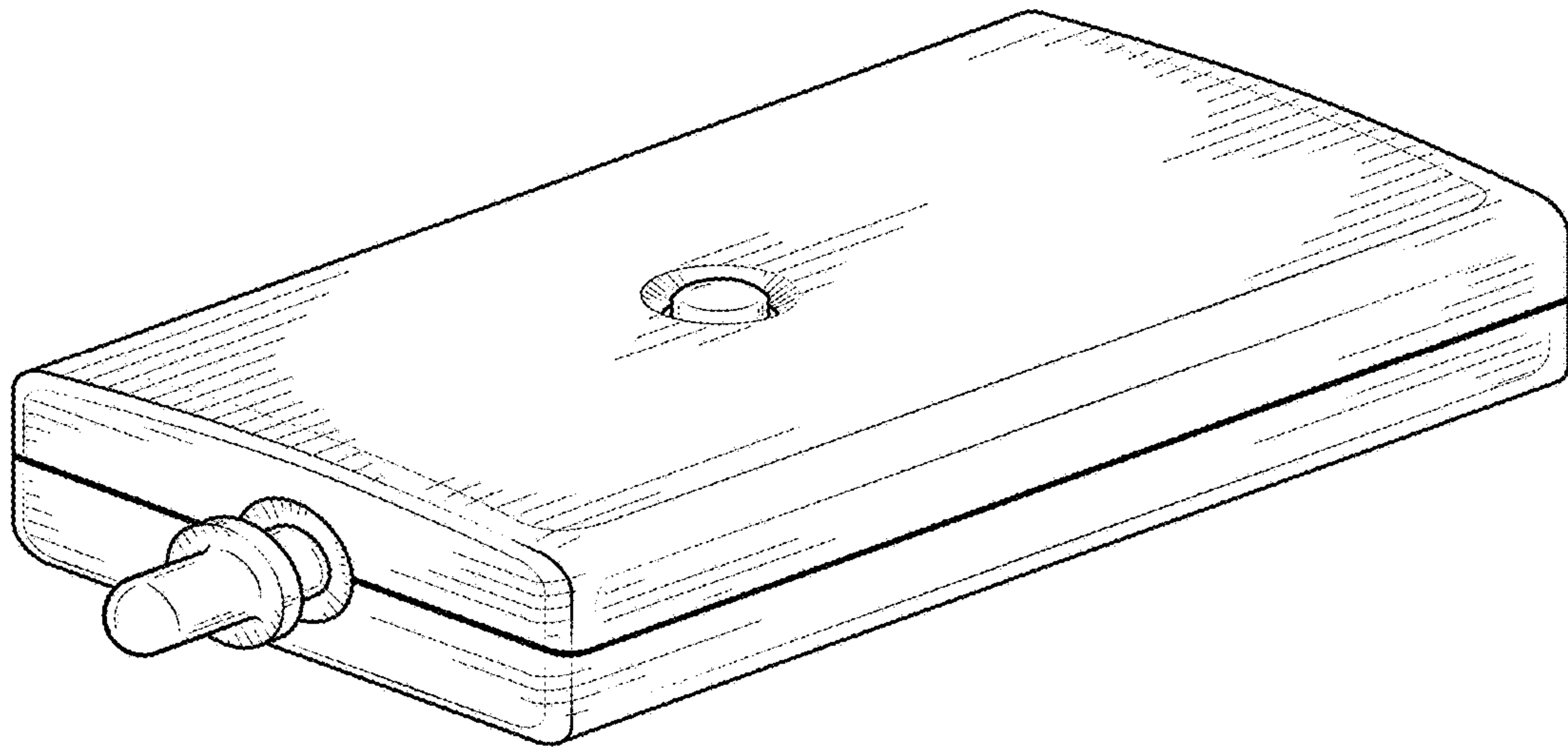


FIG. 1

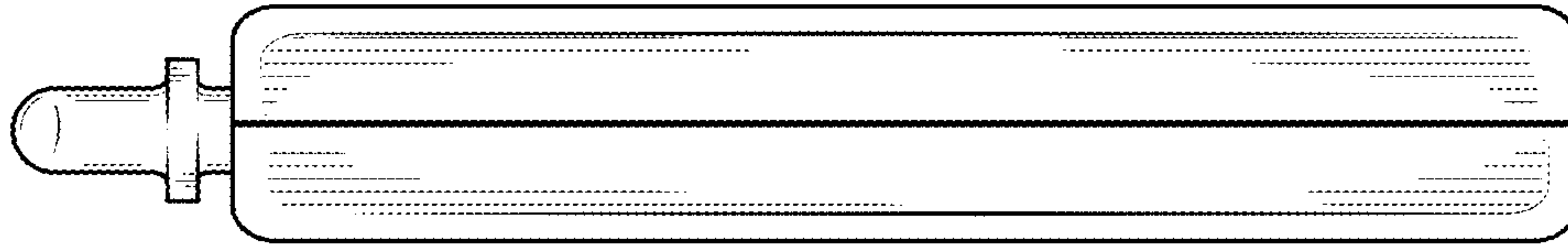


FIG. 2

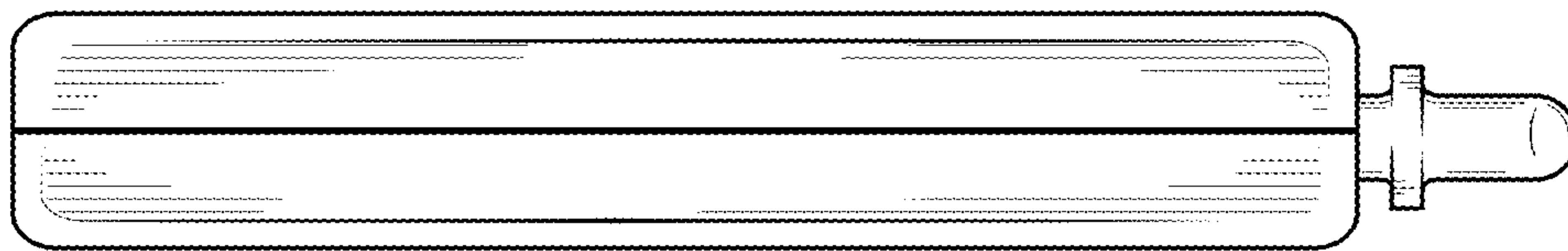


FIG. 3

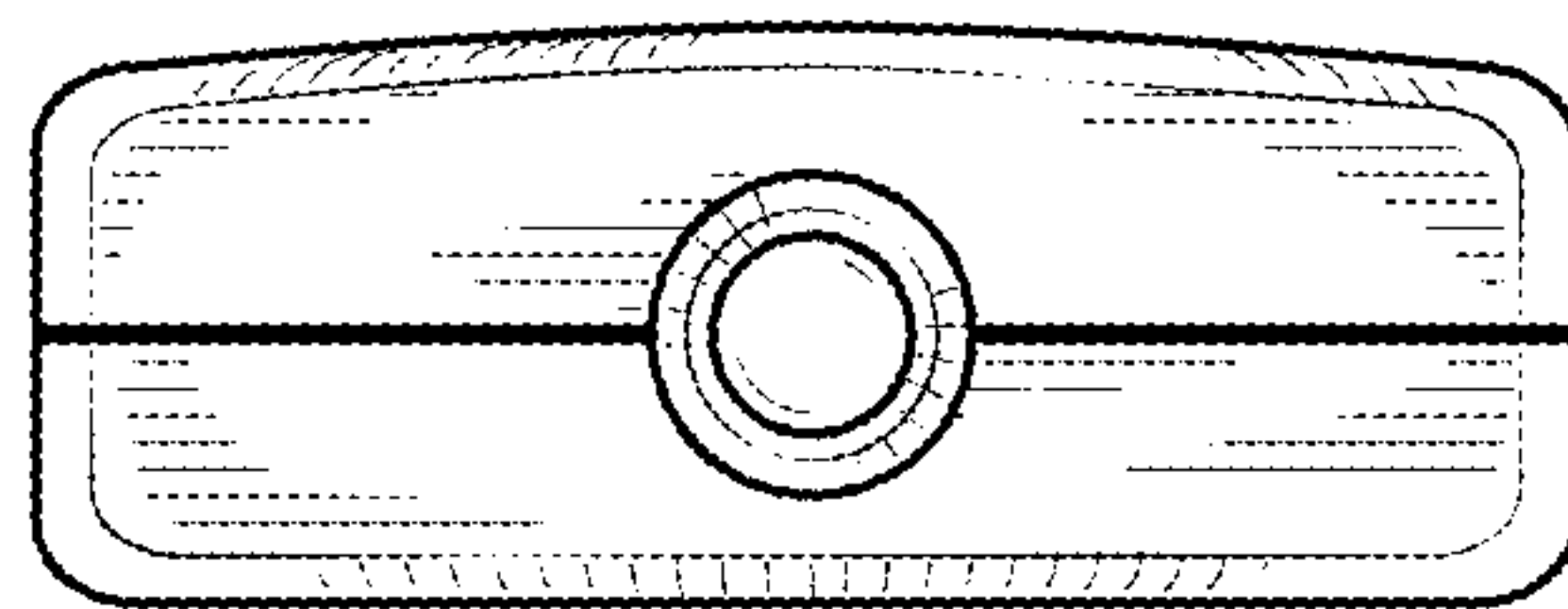


FIG. 4

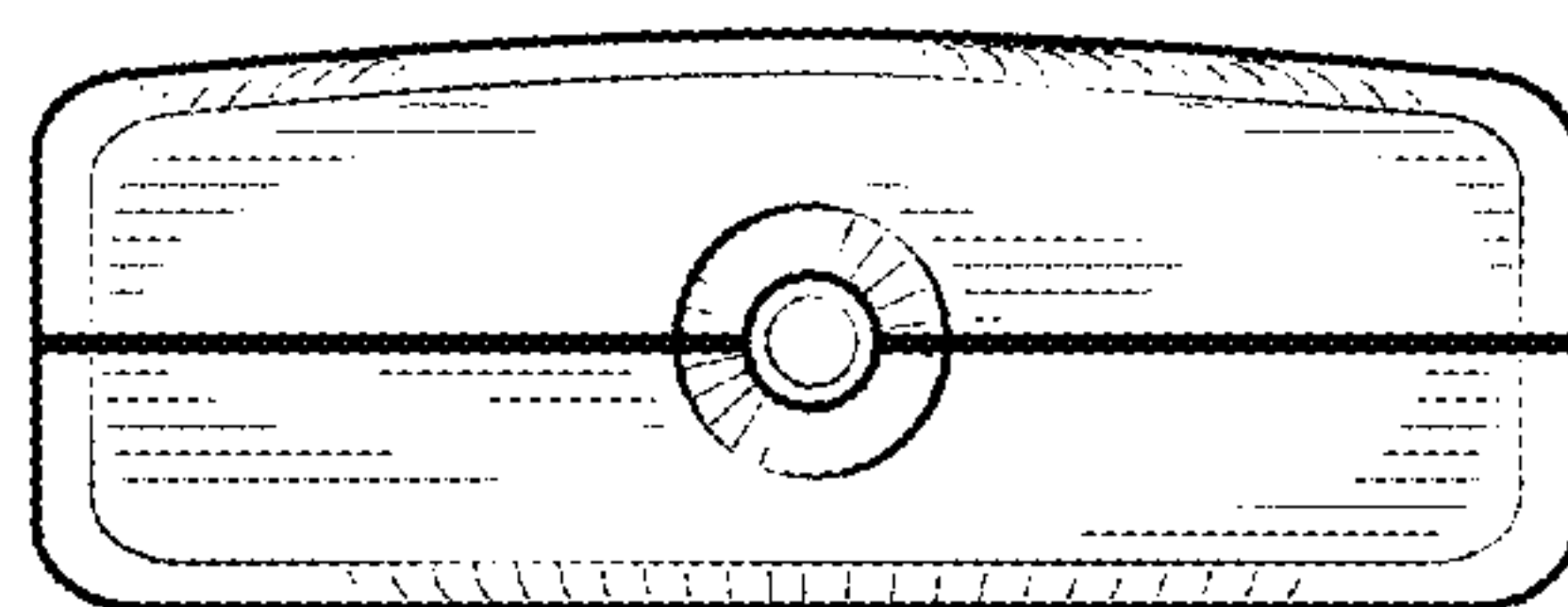


FIG. 5

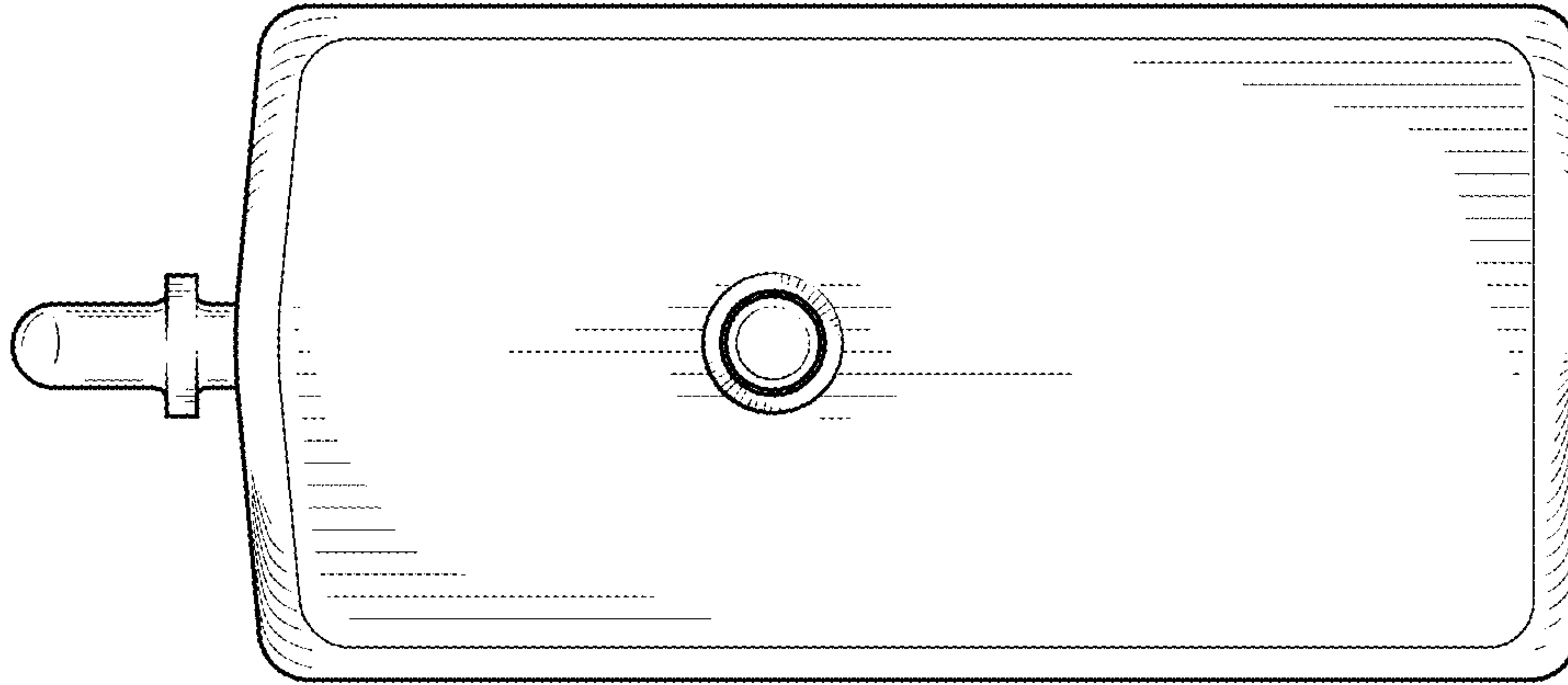


FIG. 6

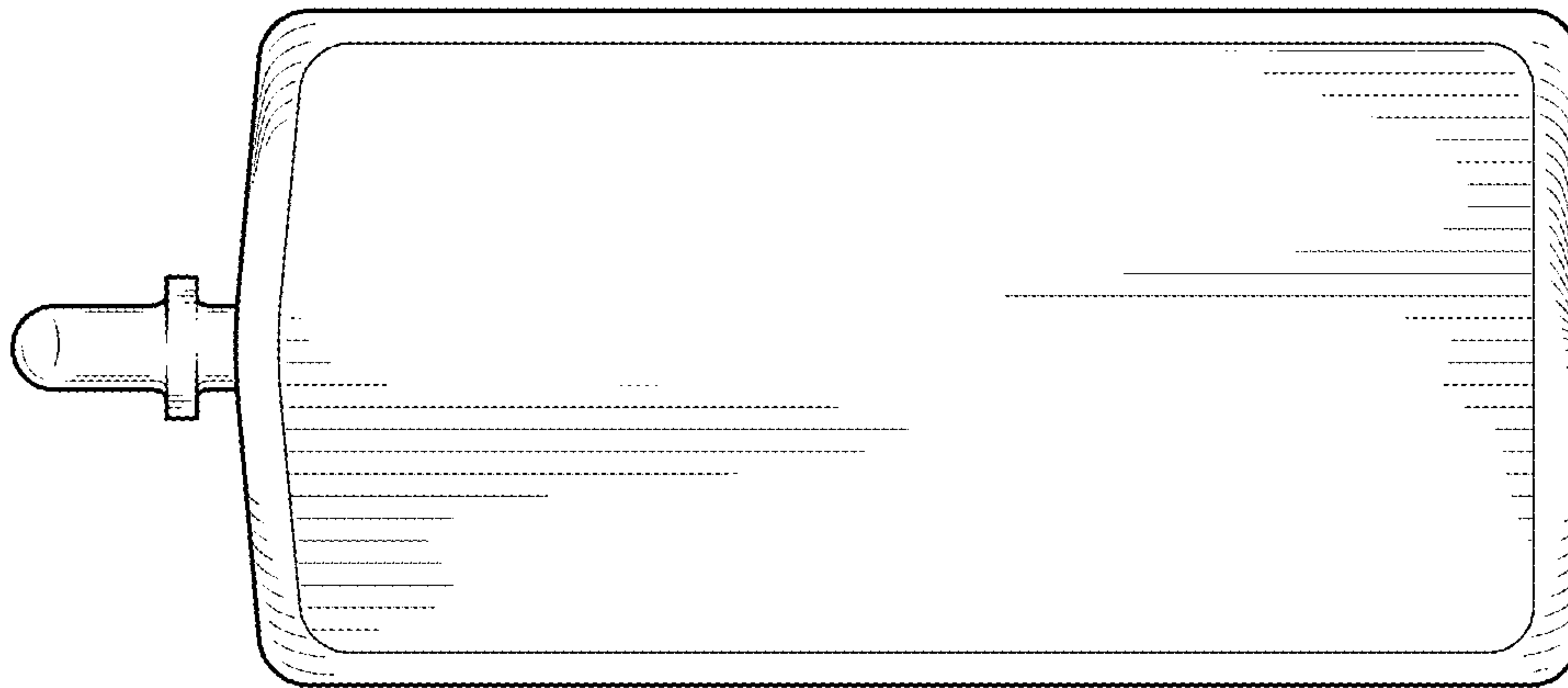


FIG. 7

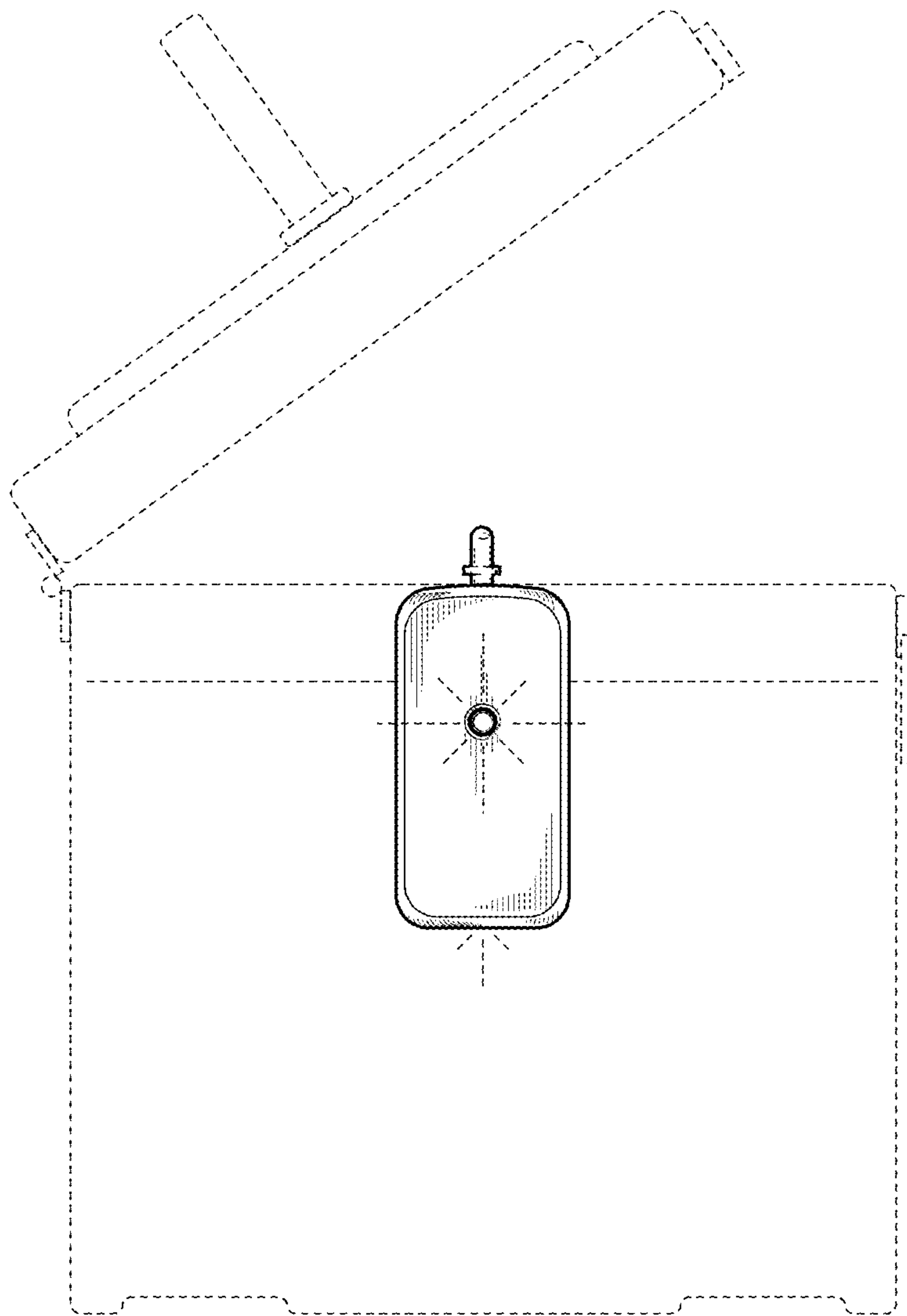


FIG. 8