



US00D813427S

(12) **United States Design Patent**  
**Voss**

(10) **Patent No.:** **US D813,427 S**  
(45) **Date of Patent:** **\*\* Mar. 20, 2018**

(54) **GOLF TROPHY CANDLE**

- (71) Applicant: **Voss Solo 401k Trust**, Allen, TX (US)
- (72) Inventor: **John Voss**, Allen, TX (US)
- (73) Assignee: **Voss Solo 401k Trust**, Allen, TX (US)
- (\*\*) Term: **15 Years**
- (21) Appl. No.: **29/612,393**
- (22) Filed: **Jul. 31, 2017**

**Related U.S. Application Data**

- (62) Division of application No. 29/538,332, filed on Sep. 2, 2015, now Pat. No. Des. 797,962.
- (51) **LOC (11) Cl.** ..... **26-01**
- (52) **U.S. Cl.**  
USPC ..... **D26/16; D11/125**
- (58) **Field of Classification Search**  
USPC ..... D11/117, 121, 125, 130, 131, 157, 164;  
D26/1, 4-10, 24, 93, 94, 96, 13, 14, 15,  
D26/16, 23; D21/707, 708, 709, 713  
CPC ..... F21S 2/00; F21S 2/001; F21S 4/00; F21S  
4/10; F21S 6/00; F21S 6/001; F21S  
10/04; F21S 10/00; F21S 10/043; F21S  
10/046; F21W 2121/00; F21W 2121/002;  
A47G 2033/0827; A47G 33/00; A47G  
33/004; A47G 33/08  
See application file for complete search history.

(56) **References Cited**

**U.S. PATENT DOCUMENTS**

- 216,628 A \* 6/1879 Moses ..... F21V 35/00  
362/161
- D52,520 S 10/1918 Brown
- 1,879,477 A 9/1932 Powell
- D190,651 S 6/1961 Allen

(Continued)

**FOREIGN PATENT DOCUMENTS**

- CN 3606075 1/2007
- CN 2881349 Y 3/2007

(Continued)

**OTHER PUBLICATIONS**

Gadgetsgo, "The Amazing Football Candle," <http://gadgetsgo.com/Amazing-Candle-football-party-NFL-college-gameday-fireworks-parties.html>, Sep. 2, 2015, 2 pages.

*Primary Examiner* — Elizabeth J Oswecki

(74) *Attorney, Agent, or Firm* — Slater Matsil, LLP

(57) **CLAIM**

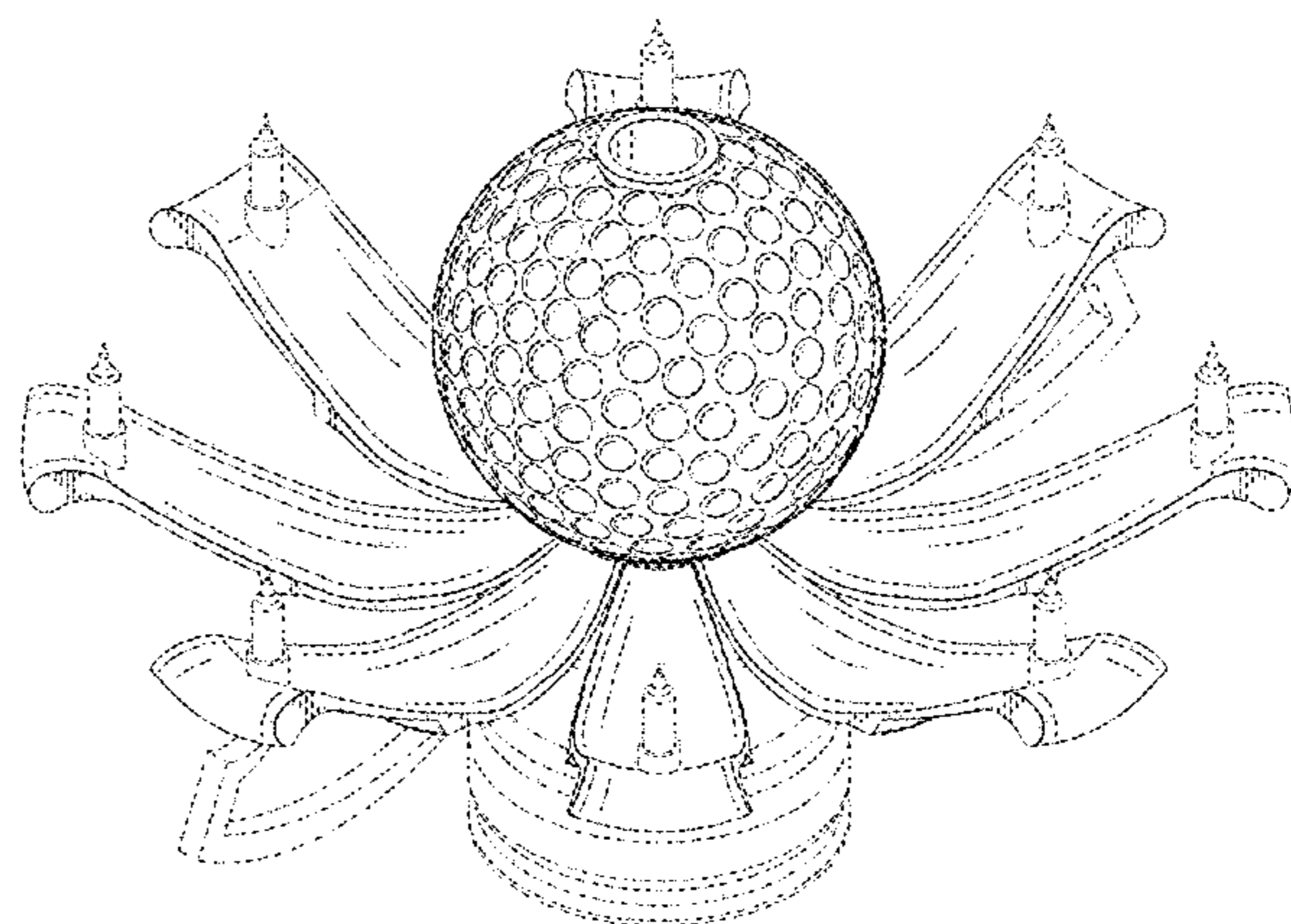
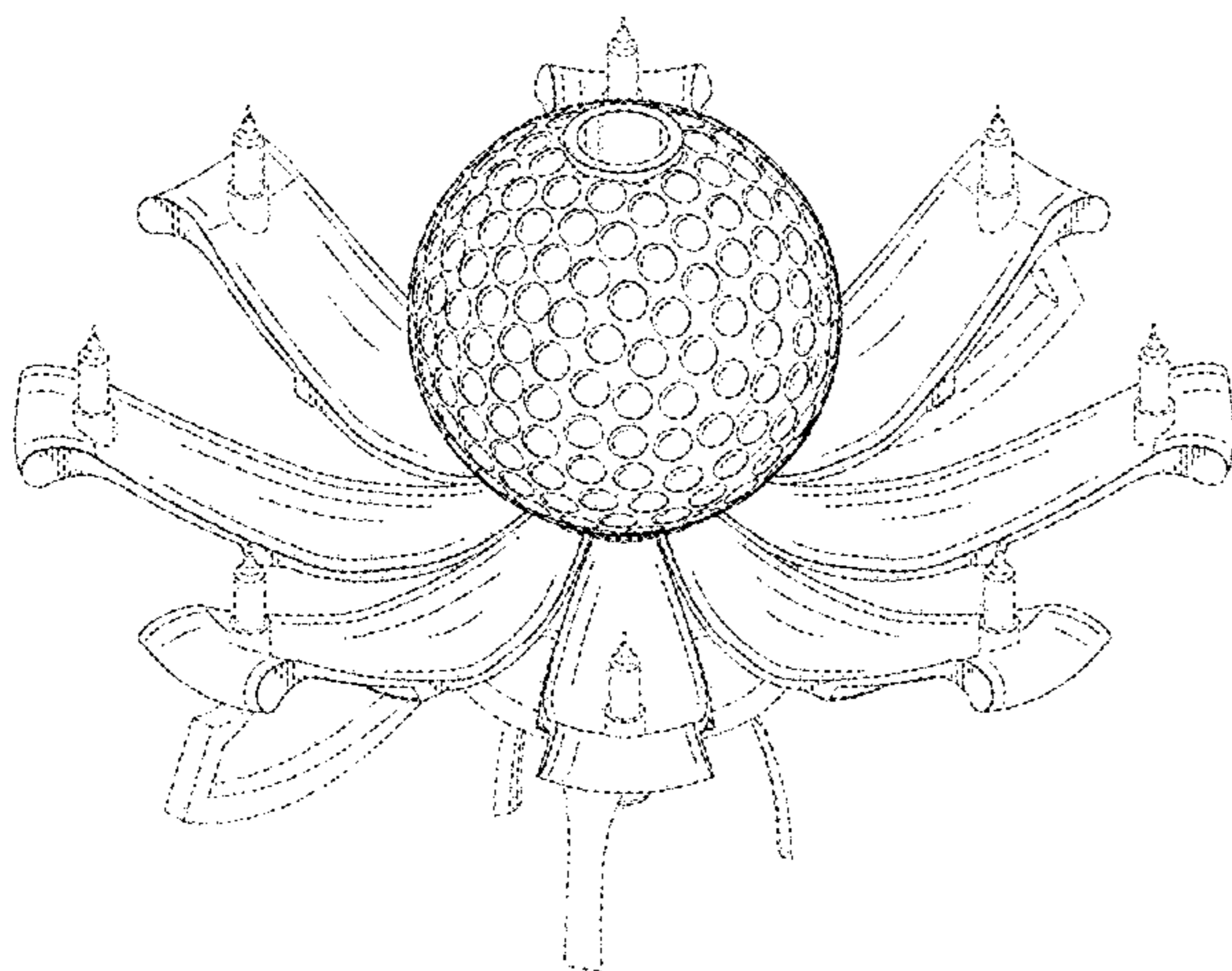
The ornamental design for a golf trophy candle, as shown and described.

**DESCRIPTION**

FIG. 1 is a top, front, right side perspective view of a first embodiment of a golf trophy candle, showing my new design in an open position;  
 FIG. 2 is a front view thereof;  
 FIG. 3 is a rear view thereof;  
 FIG. 4 is a right side view thereof;  
 FIG. 5 is a left side view thereof;  
 FIG. 6 is a top view thereof;  
 FIG. 7 is a bottom view thereof;  
 FIG. 8 is a top, front, right side perspective view of a second embodiment of a golf trophy candle, showing my new design in an open position;  
 FIG. 9 is a front view thereof;  
 FIG. 10 is a rear view thereof;  
 FIG. 11 is a right side view thereof;  
 FIG. 12 is a left side view thereof;  
 FIG. 13 is a top view thereof; and,  
 FIG. 14 is a bottom view thereof.

The broken-line disclosure of elements is understood to represent portions of the article in which the design is embodied, but which form no part of the claimed design.

**1 Claim, 14 Drawing Sheets**



(56)

References Cited

U.S. PATENT DOCUMENTS

3,308,705 A 3/1967 Shinnick  
 D229,328 S 11/1973 Grieder  
 D237,736 S \* 11/1975 Lofgren ..... D26/19  
 D242,647 S 12/1976 Van Horn  
 D345,021 S 3/1994 Storey et al.  
 5,662,241 A 9/1997 Sorensen  
 D396,893 S \* 8/1998 Sanchez ..... D21/709  
 D397,747 S \* 9/1998 Sanchez ..... D21/708  
 D410,756 S 6/1999 Kleinberg  
 D422,101 S 3/2000 Barraclough et al.  
 D430,319 S 8/2000 Harris  
 D434,814 S \* 12/2000 Ogg ..... D21/709  
 D434,815 S \* 12/2000 Asakura ..... D21/709  
 D439,293 S \* 3/2001 Murphy ..... D21/708  
 D441,815 S \* 5/2001 Murphy ..... D21/708  
 D442,711 S 5/2001 Patterson  
 D447,256 S 8/2001 Ratia  
 D455,506 S 4/2002 Barker  
 D461,212 S \* 8/2002 Davis ..... D21/707  
 D464,745 S \* 10/2002 Mangini ..... D26/16  
 6,733,280 B1 5/2004 Livine et al.  
 D501,901 S \* 2/2005 Yu ..... D21/709  
 D527,472 S \* 8/2006 Barraclough ..... D26/9  
 D538,361 S \* 3/2007 Sato ..... D21/708  
 D550,586 S 9/2007 Tsai  
 D554,560 S 11/2007 Tsai  
 D579,818 S 11/2008 Lambert et al.  
 D588,252 S \* 3/2009 Conway ..... D11/152  
 D589,177 S 3/2009 Langley  
 7,497,685 B2 \* 3/2009 Kubicek ..... C11C 5/006  
 362/161  
 7,503,668 B2 \* 3/2009 Porchia ..... A01M 1/02  
 362/161

D590,078 S 4/2009 Horenziak et al.  
 7,524,187 B2 \* 4/2009 Kubicek ..... F23D 3/16  
 431/289  
 D620,636 S \* 7/2010 Holder ..... D26/127  
 D630,791 S \* 1/2011 Wanders ..... D26/127  
 D638,077 S \* 5/2011 Nakagawa ..... D21/708  
 D644,281 S \* 8/2011 Moon ..... D21/709  
 D675,126 S 1/2013 Hauskins  
 D683,912 S \* 6/2013 Muhr ..... D30/124  
 D698,102 S \* 1/2014 Muhr ..... D30/124  
 D698,501 S \* 1/2014 Muhr ..... D30/124  
 8,636,518 B2 1/2014 Wetherbee  
 D700,256 S \* 2/2014 Besemer ..... D21/707  
 D713,688 S 9/2014 Thomas  
 D732,731 S \* 6/2015 Wang ..... D26/127  
 D734,513 S 7/2015 Brown et al.  
 9,224,310 B2 \* 12/2015 Wetherbee ..... G09B 1/02  
 D748,011 S \* 1/2016 Hoffman ..... F16B 2/20  
 D11/184  
 D754,888 S 4/2016 Brown et al.  
 D755,416 S 5/2016 Brown et al.  
 D768,317 S 10/2016 Deaver  
 D792,535 S \* 7/2017 Hughes ..... D21/709  
 D797,962 S \* 9/2017 Voss ..... D11/125  
 D798,973 S \* 10/2017 Hughes ..... D21/709  
 2005/0207155 A1 9/2005 Jian  
 2011/0269083 A1 \* 11/2011 King ..... F21V 37/00  
 431/126  
 2013/0022946 A1 1/2013 Wetherbee

FOREIGN PATENT DOCUMENTS

CN 201003746 Y 1/2008  
 CN 300733777 1/2008

\* cited by examiner

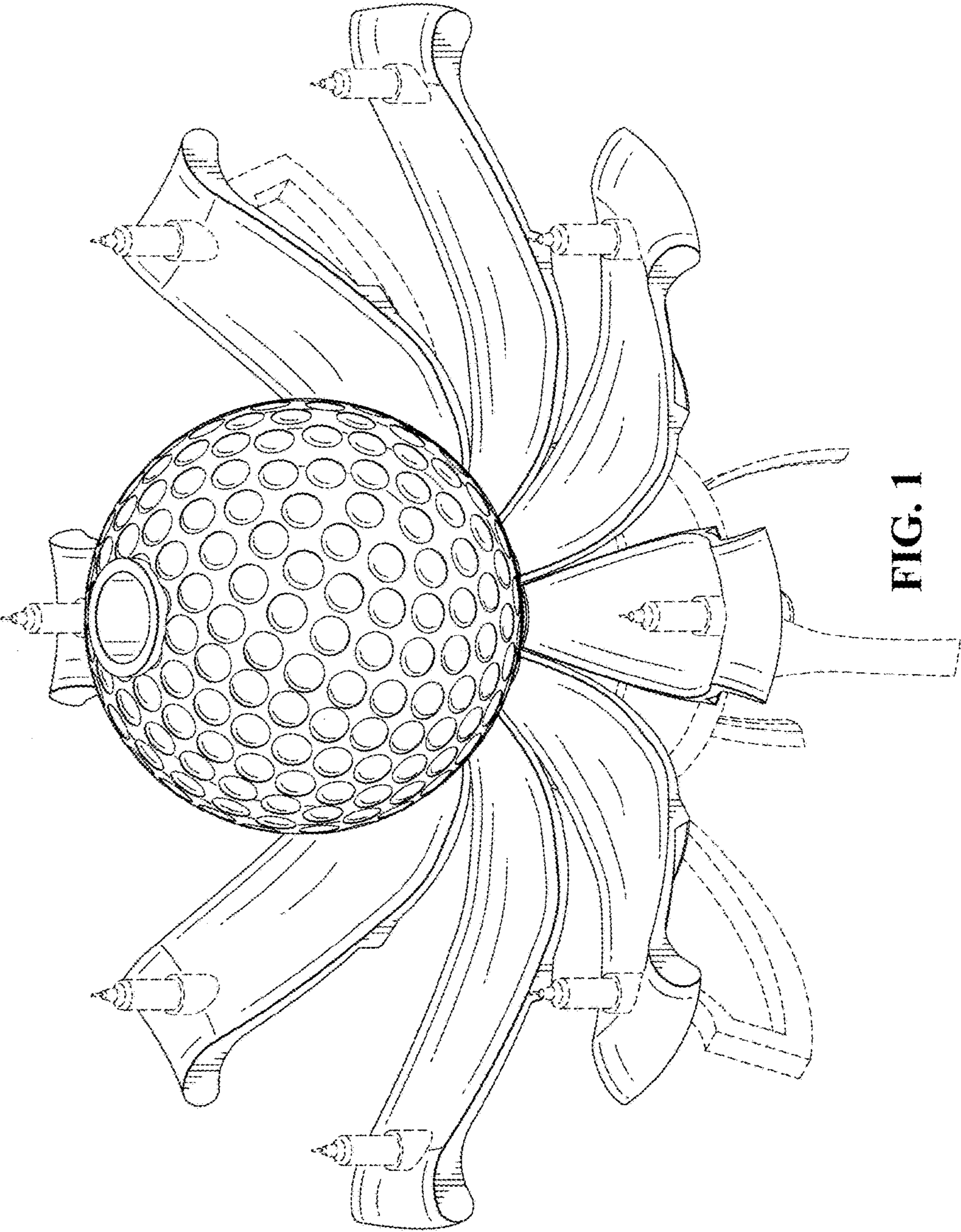


FIG. 1

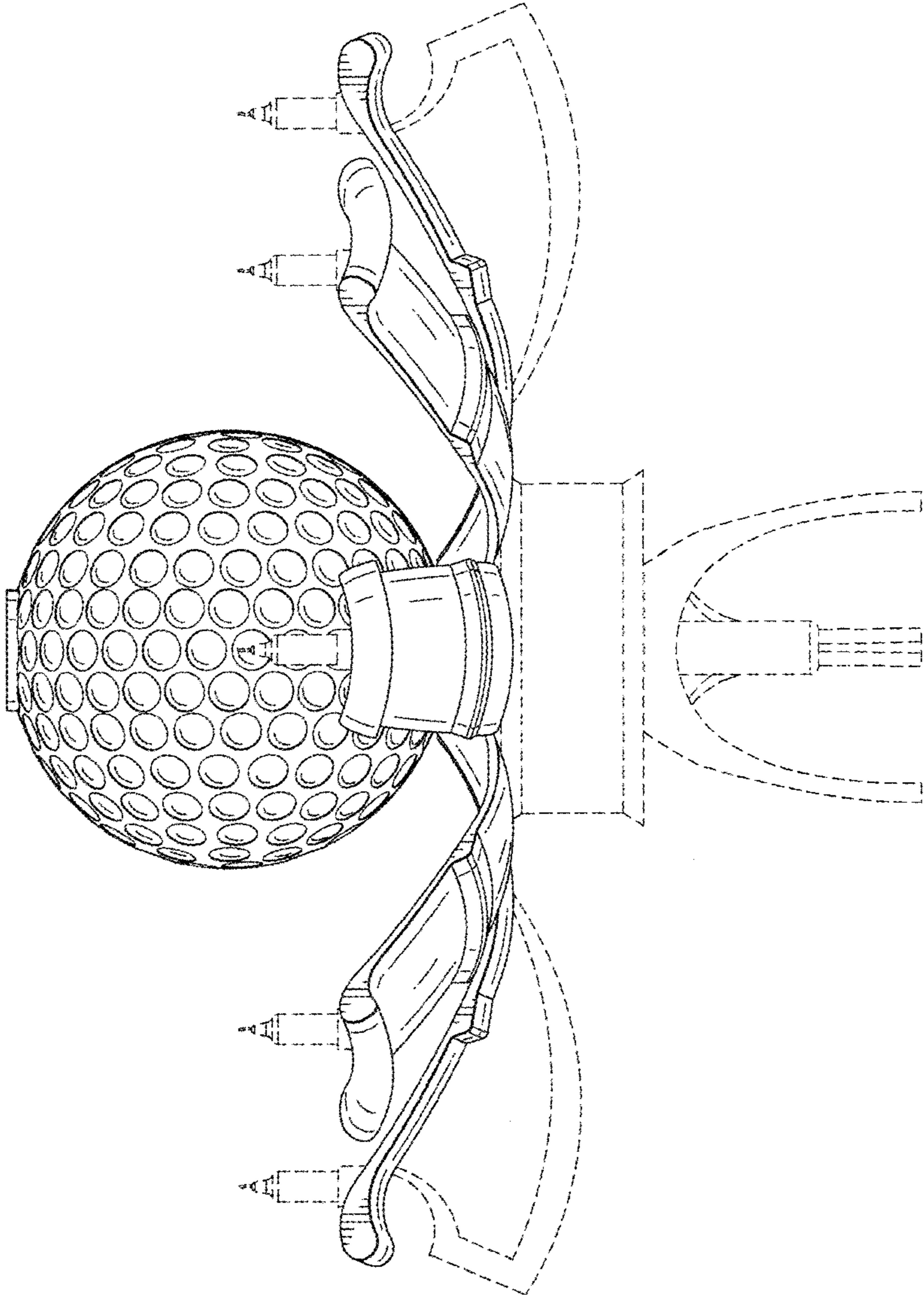


FIG. 2

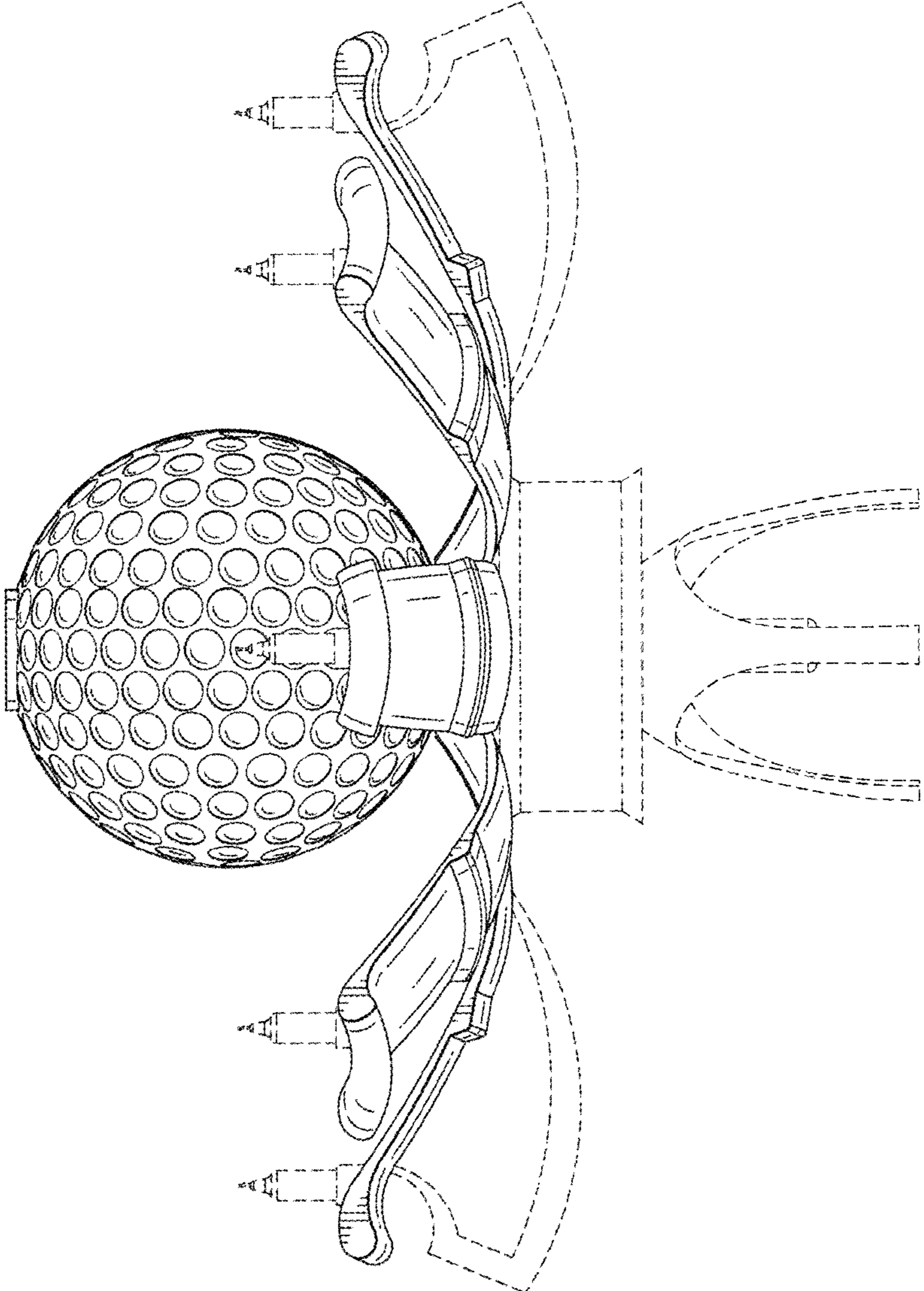


FIG. 3

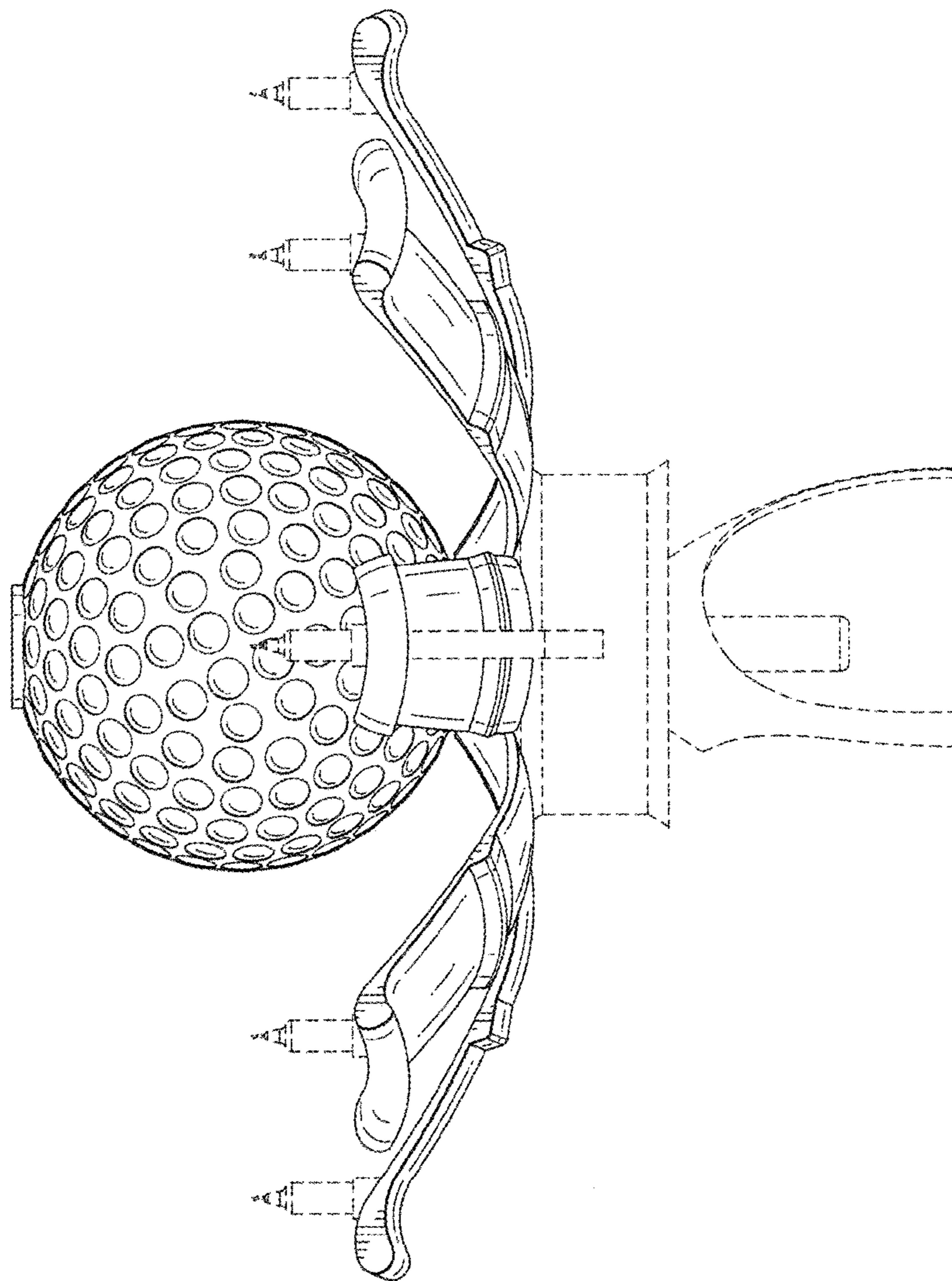


FIG. 4

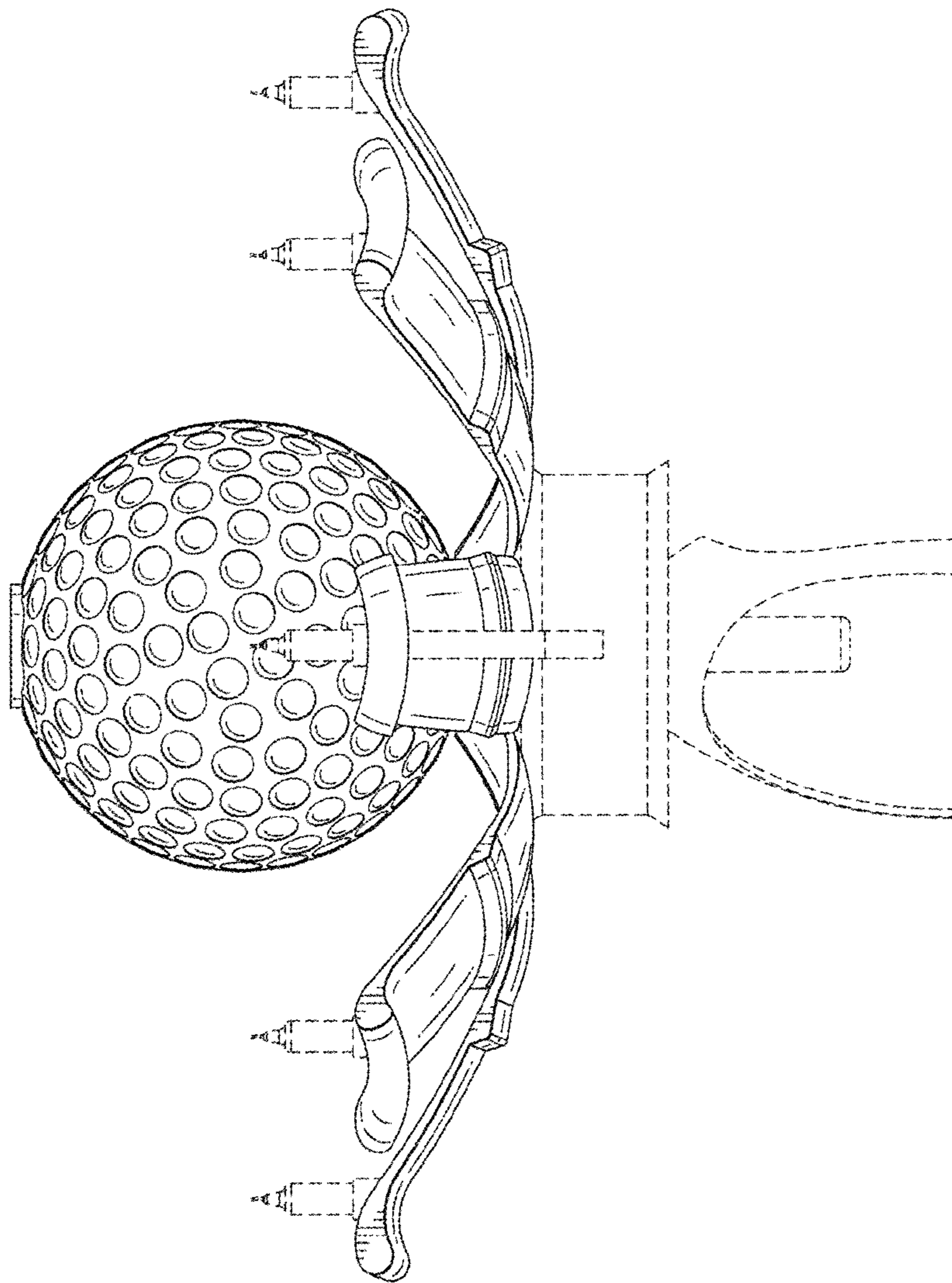


FIG. 5

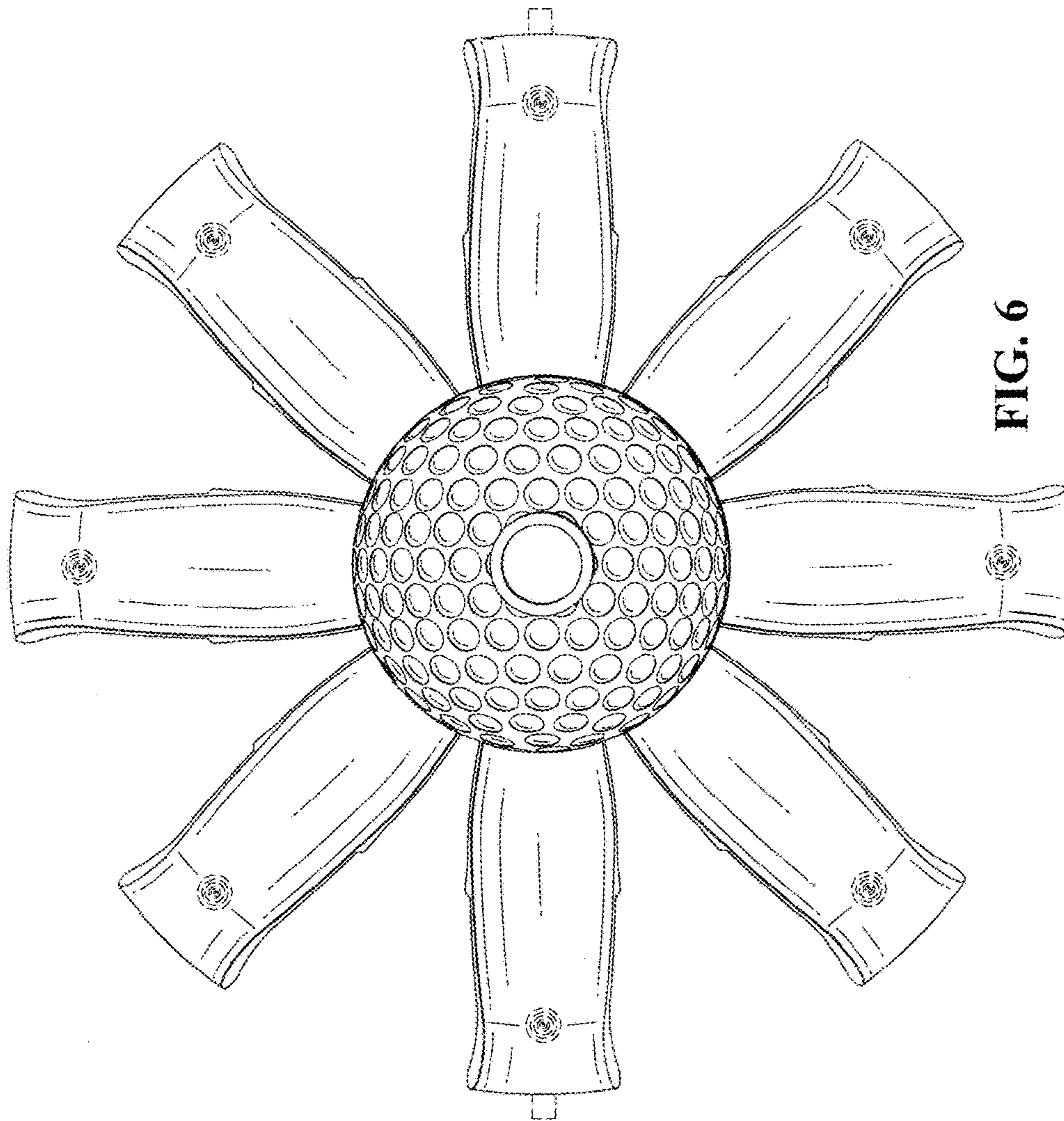
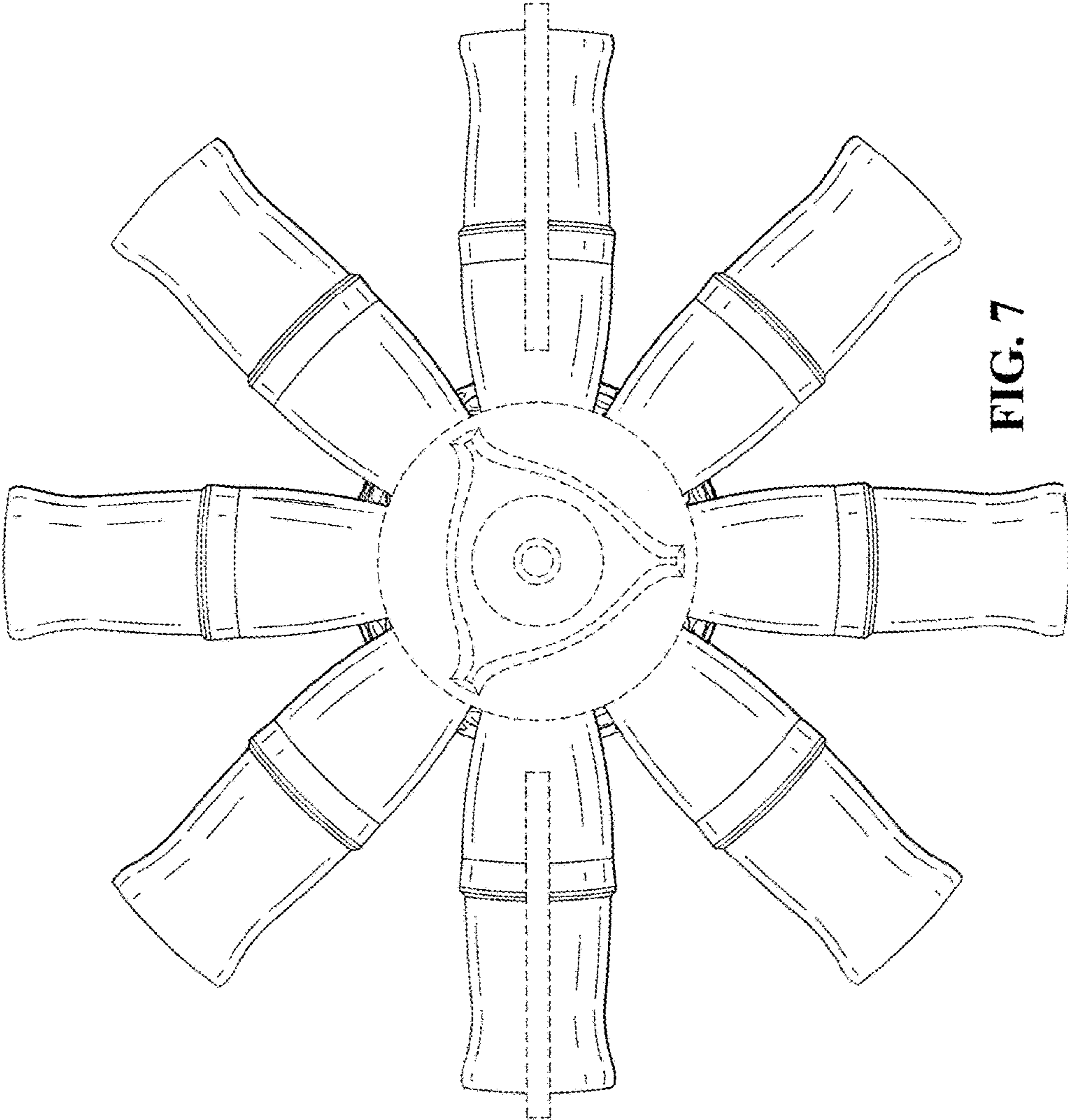


FIG. 6





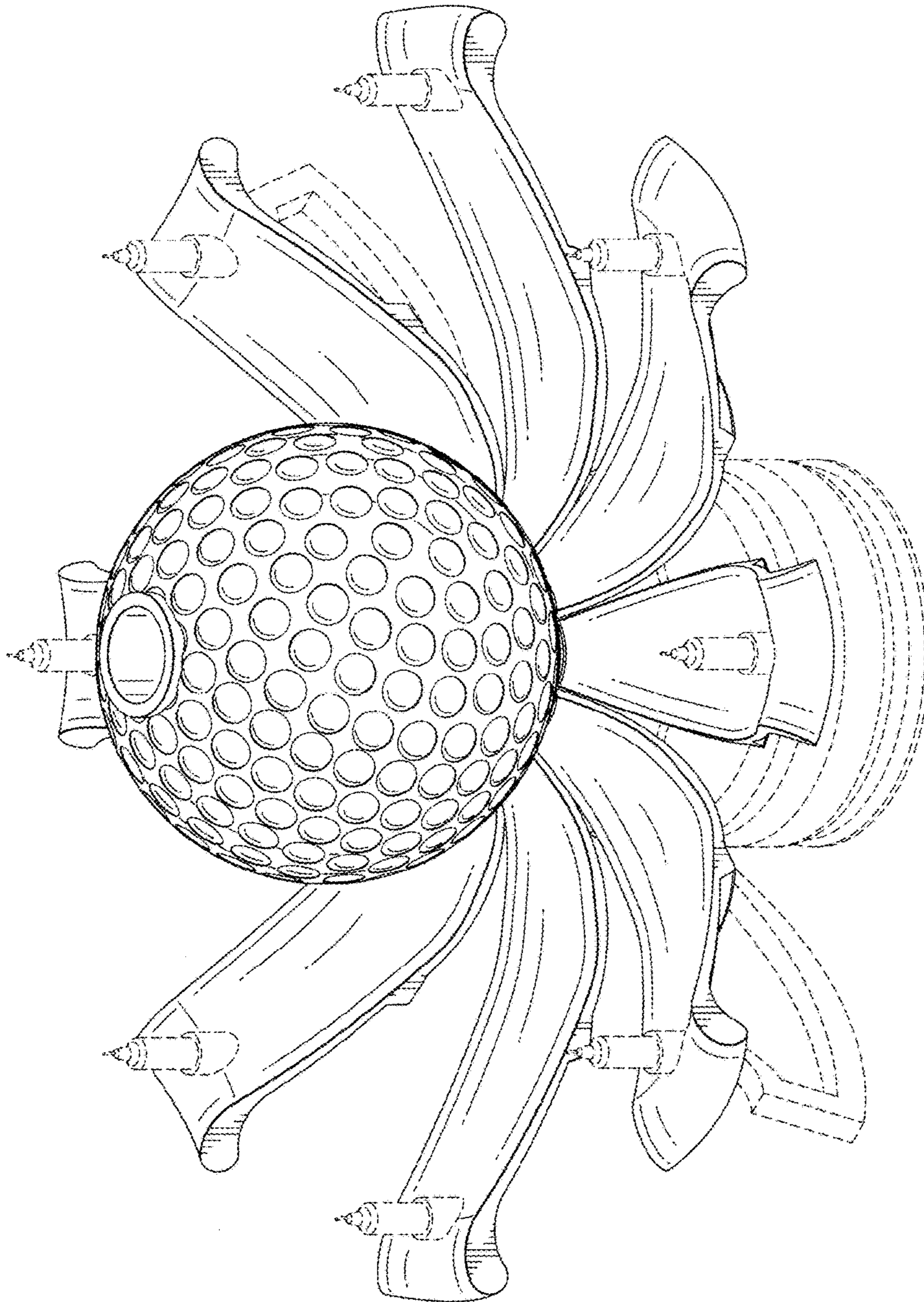


FIG. 8

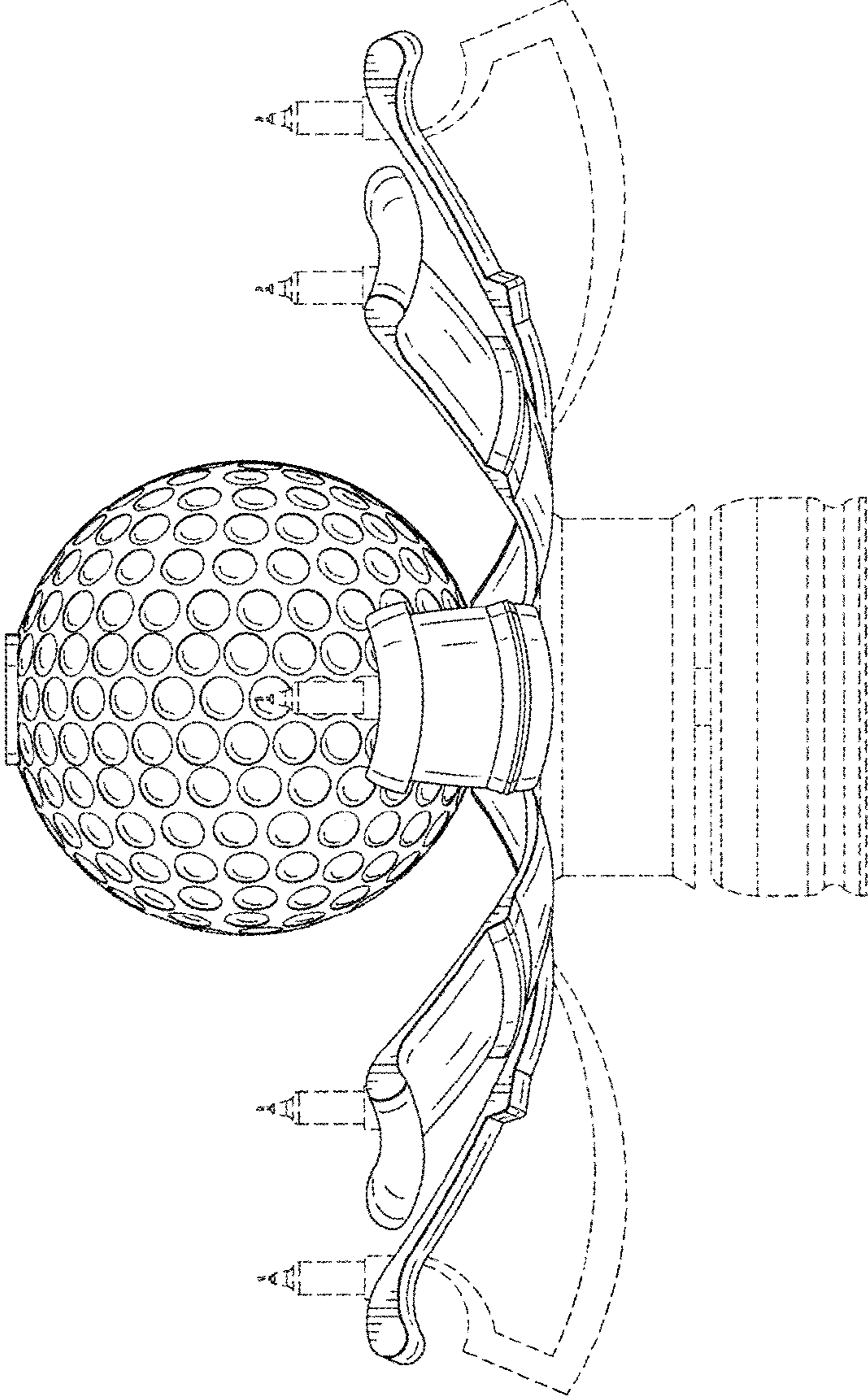


FIG. 9

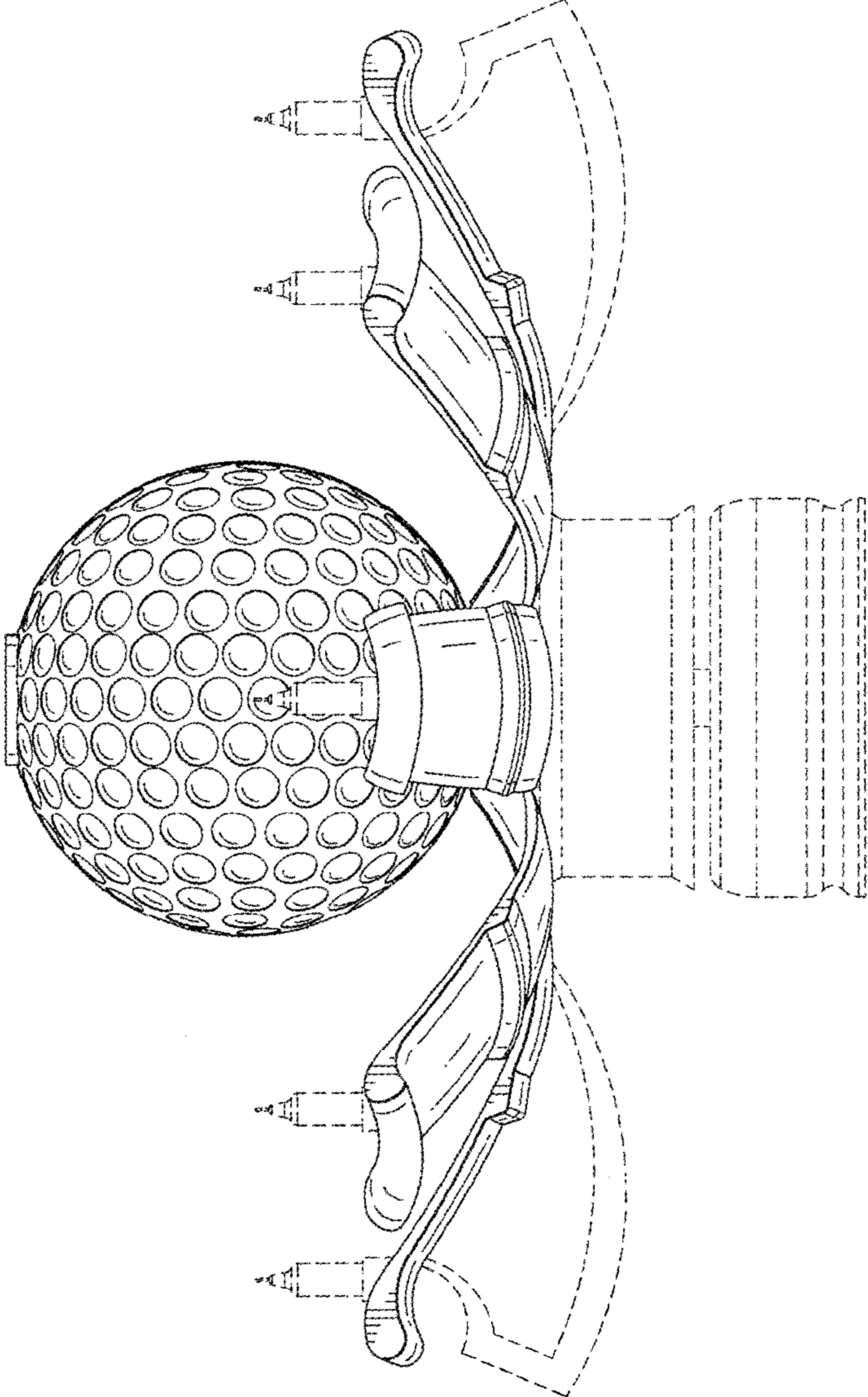


FIG. 10

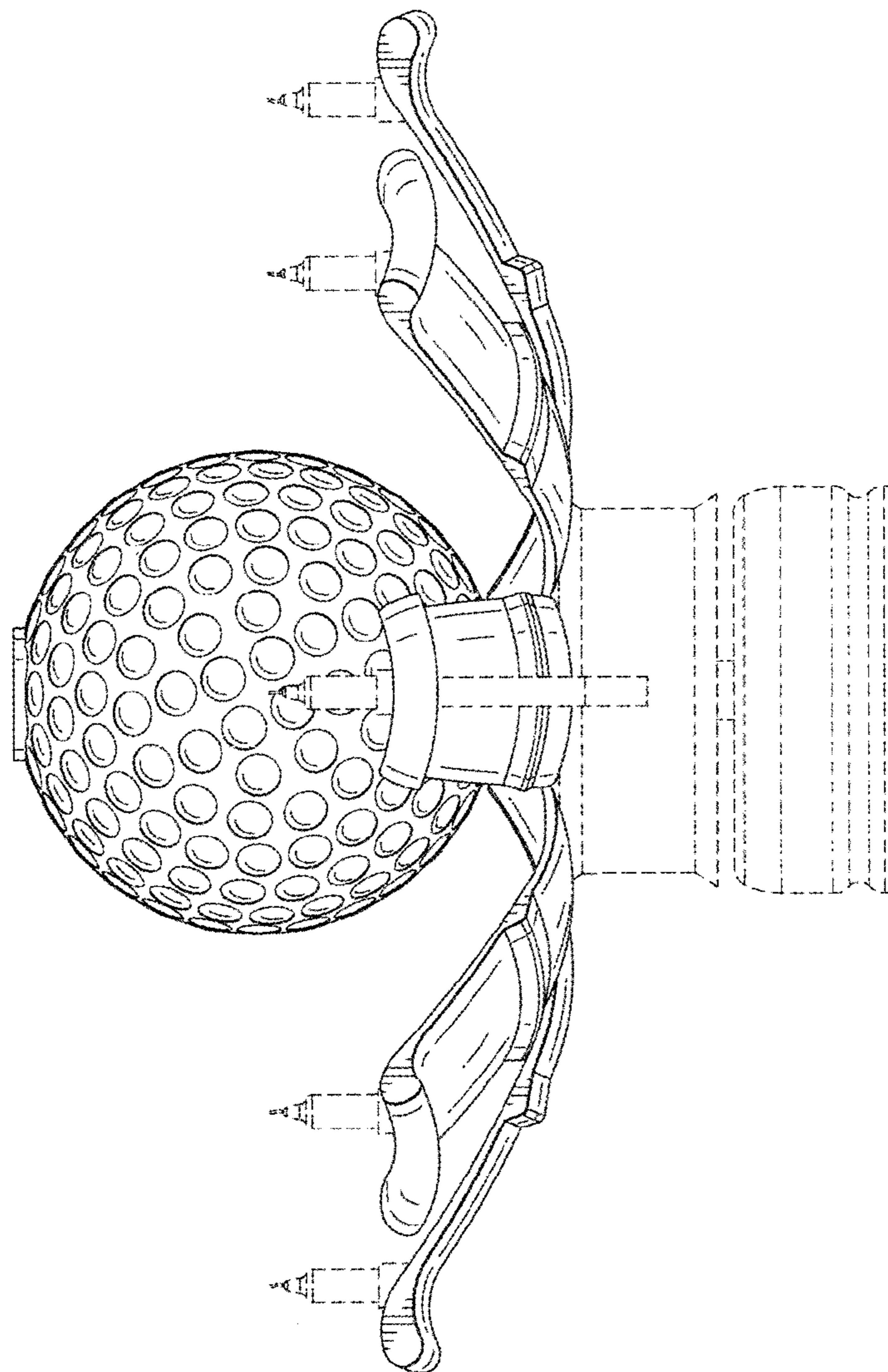


FIG. 11

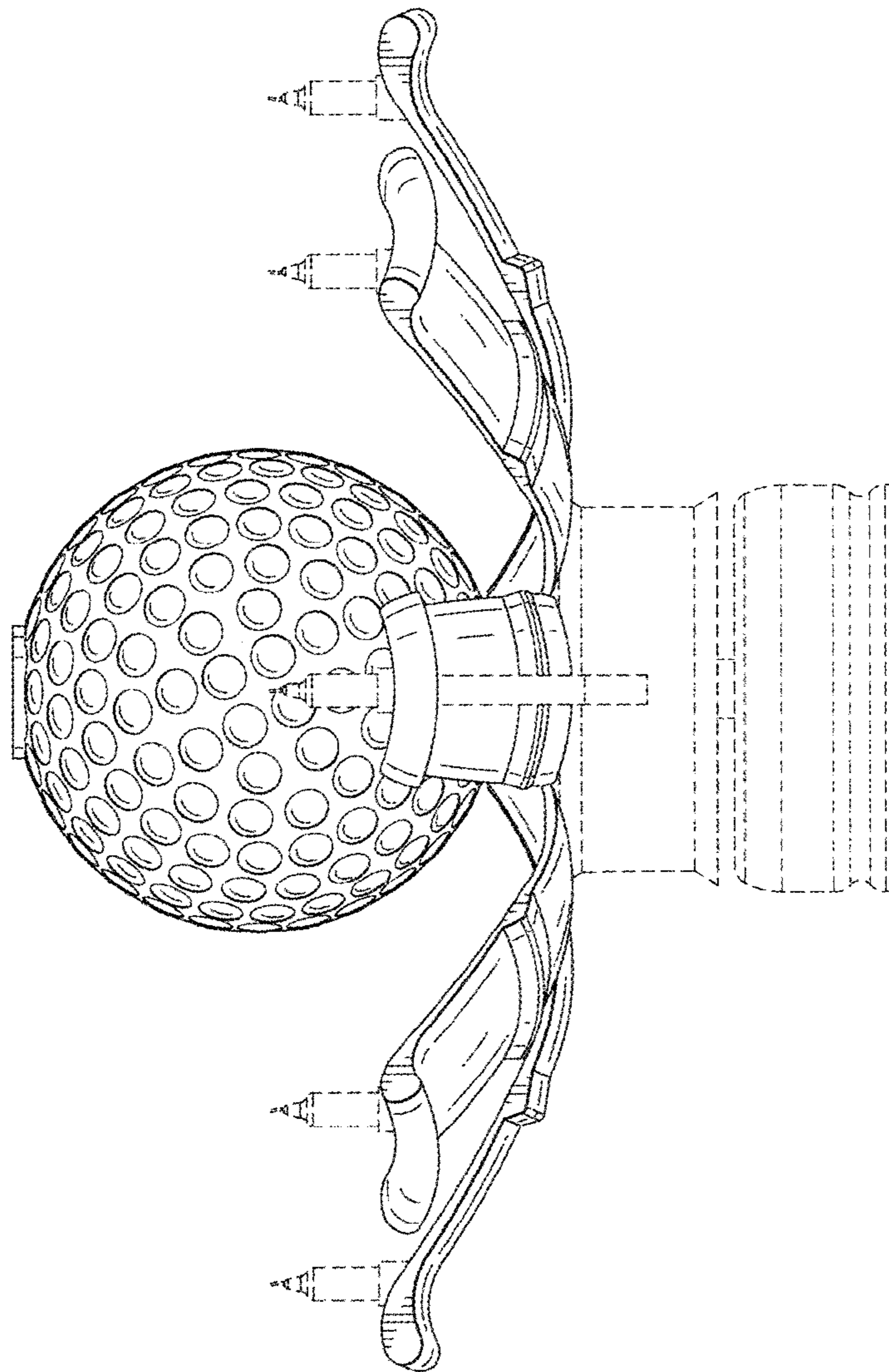


FIG. 12

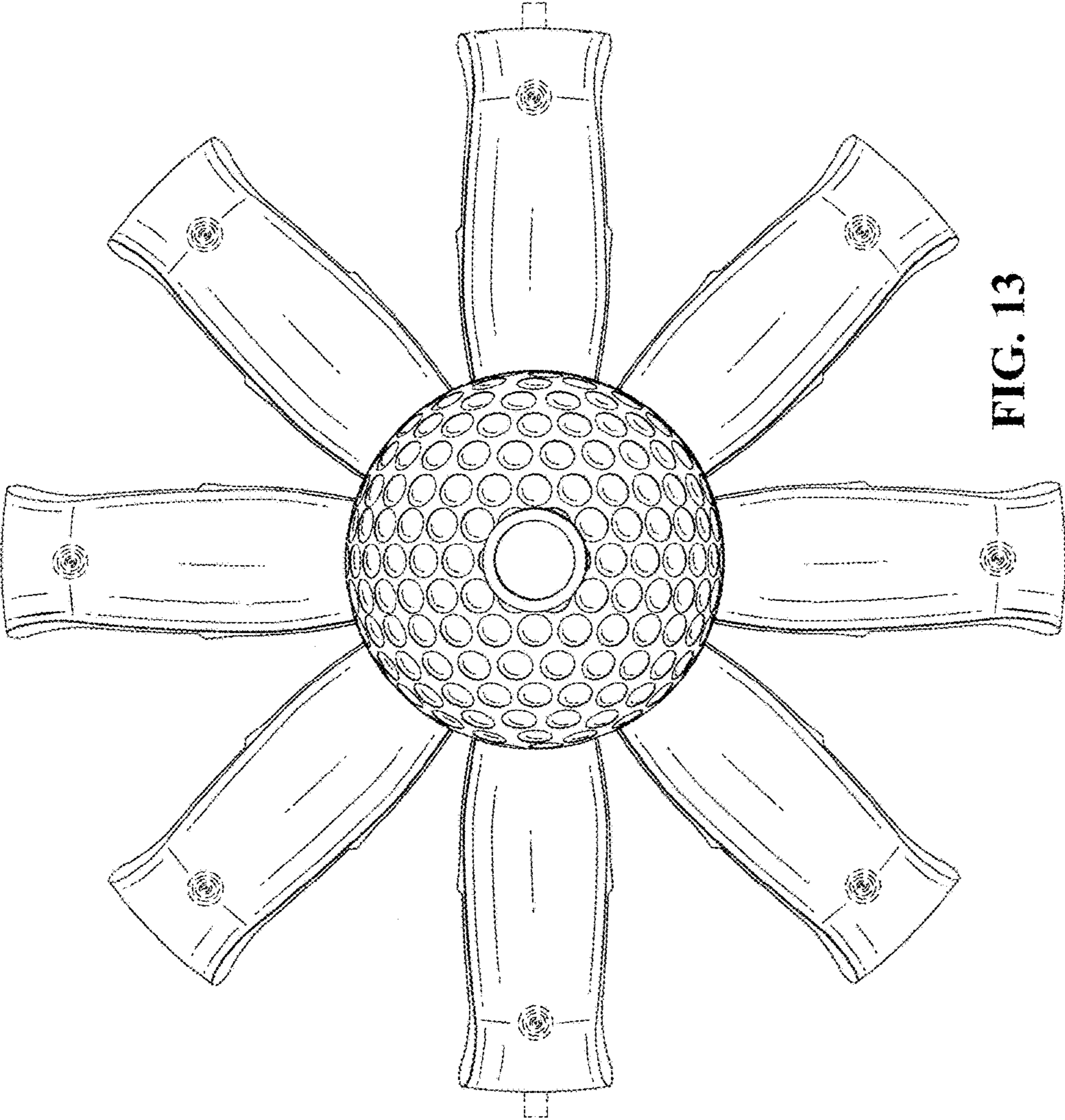


FIG. 13

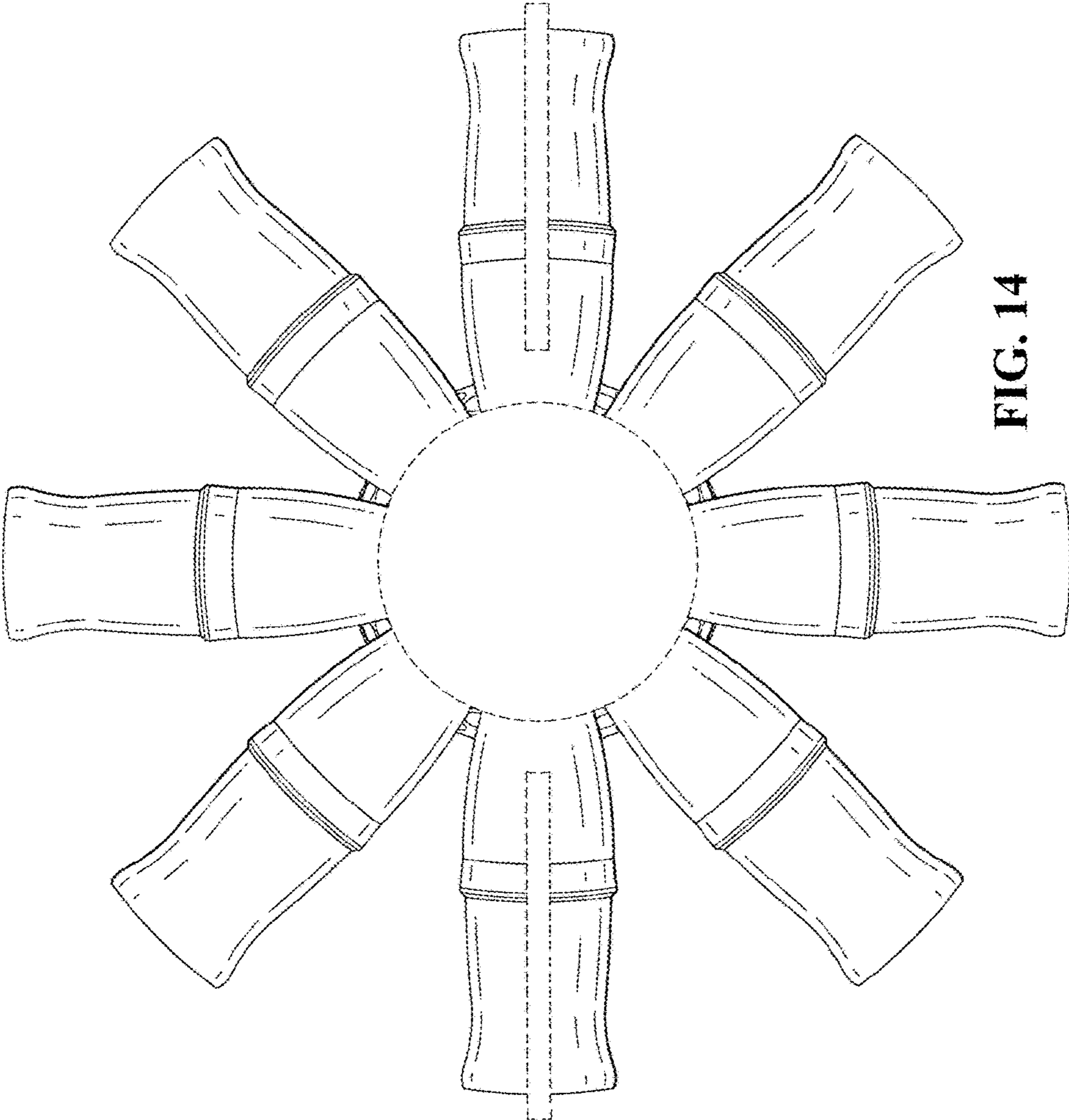


FIG. 14