



US00D813423S

(12) **United States Design Patent** (10) **Patent No.:** **US D813,423 S**
Shum et al. (45) **Date of Patent:** **** Mar. 20, 2018**

(54) **LED LAMP**

(56) **References Cited**

(71) Applicant: **SORAA, INC.**, Fremont, CA (US)

U.S. PATENT DOCUMENTS

(72) Inventors: **Frank Shum**, Sunnyvale, CA (US);
Ronald Randall van Thiel, Menlo Park, CA (US)

D688,392 S * 8/2013 Tsai D26/2
D697,234 S * 1/2014 Wei D26/2
D706,961 S * 6/2014 Nasrullah D26/2
D716,975 S * 11/2014 Hasuo D26/2
D752,777 S * 3/2016 Shum D26/2

(73) Assignee: **Soraa, Inc.**, Fremont, CA (US)

* cited by examiner

(**) Term: **15 Years**

Primary Examiner — Marcus Jackson

(21) Appl. No.: **29/591,973**

(74) *Attorney, Agent, or Firm* — Saul Ewing Arnstein & Lehr LLP

(22) Filed: **Jan. 25, 2017**

(57) **CLAIM**

Related U.S. Application Data

The ornamental design for LED lamp, as shown and described.

(62) Division of application No. 29/554,095, filed on Feb. 8, 2016, now Pat. No. Des. 781,468, which is a division of application No. 29/492,704, filed on Jun. 2, 2014, now Pat. No. Des. 752,777.

DESCRIPTION

(51) **LOC (11) Cl.** **26-04**

FIG. 1 is a perspective view of an LED lamp showing an embodiment of our new design;

(52) **U.S. Cl.**

FIG. 2 is a top plan view thereof;

USPC **D26/2**

FIG. 3 is a bottom plan view thereof;

(58) **Field of Classification Search**

USPC D26/1-4; 313/313, 315, 316, 317, 318, 313/493; 315/52, 53, 56, 57, 58

FIG. 4 is a side elevational view from a front side thereof;

CPC H01R 5/00; H01R 13/46; H01R 13/514;

FIG. 5 is a side elevational view from a rear side thereof;

H01R 31/048; H01R 31/02; H01J 5/00;

FIG. 6 is a side elevational view from a left side thereof; and,

H01J 5/16; H01J 15/00; H01J 5/48; H01J

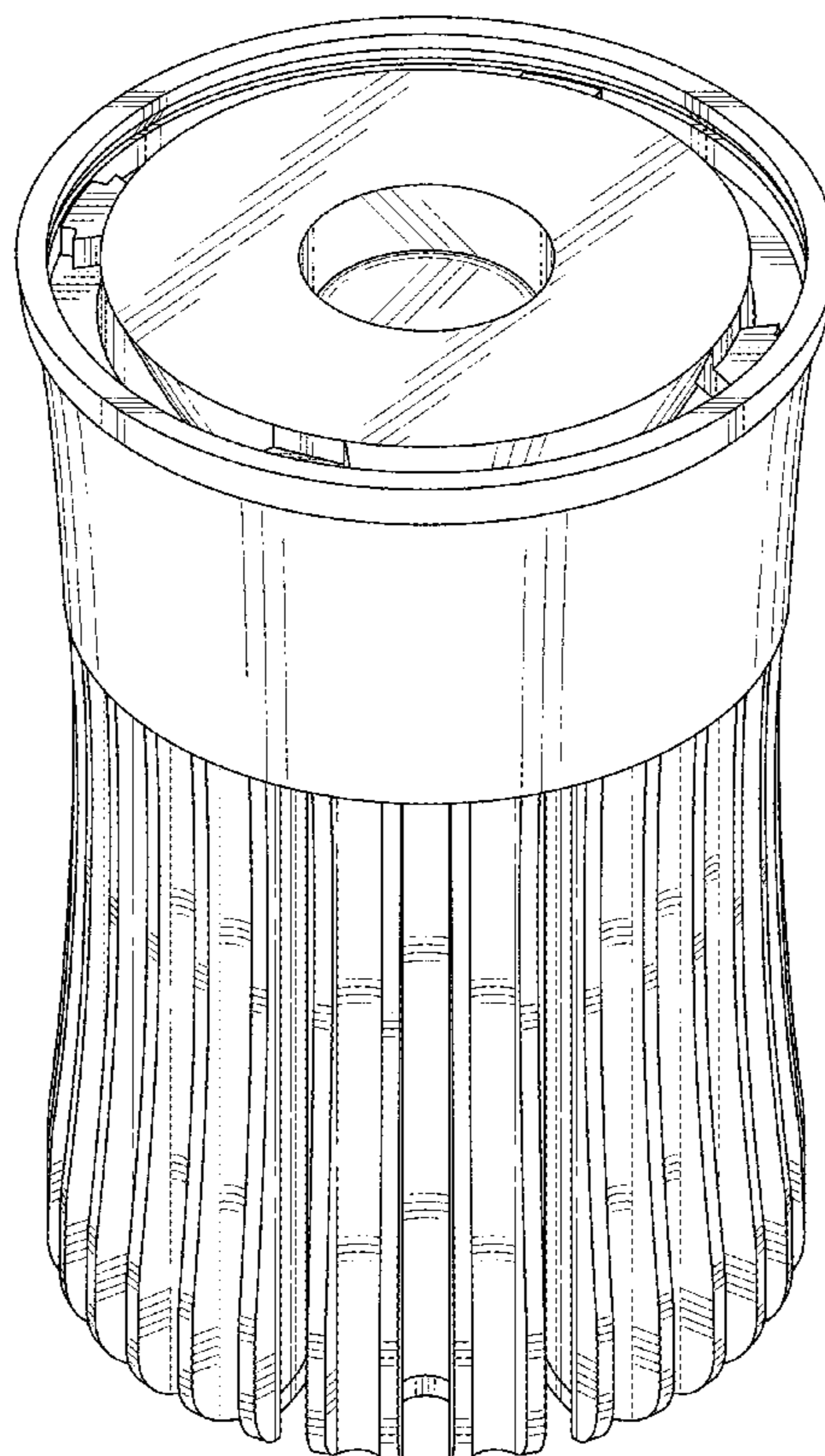
FIG. 7 is a side elevational view from a right side thereof.

5/50; H01J 19/54; F21V 5/00

The broken lines in the figures represent unclaimed subject matter and form no part of the claimed design.

See application file for complete search history.

1 Claim, 7 Drawing Sheets



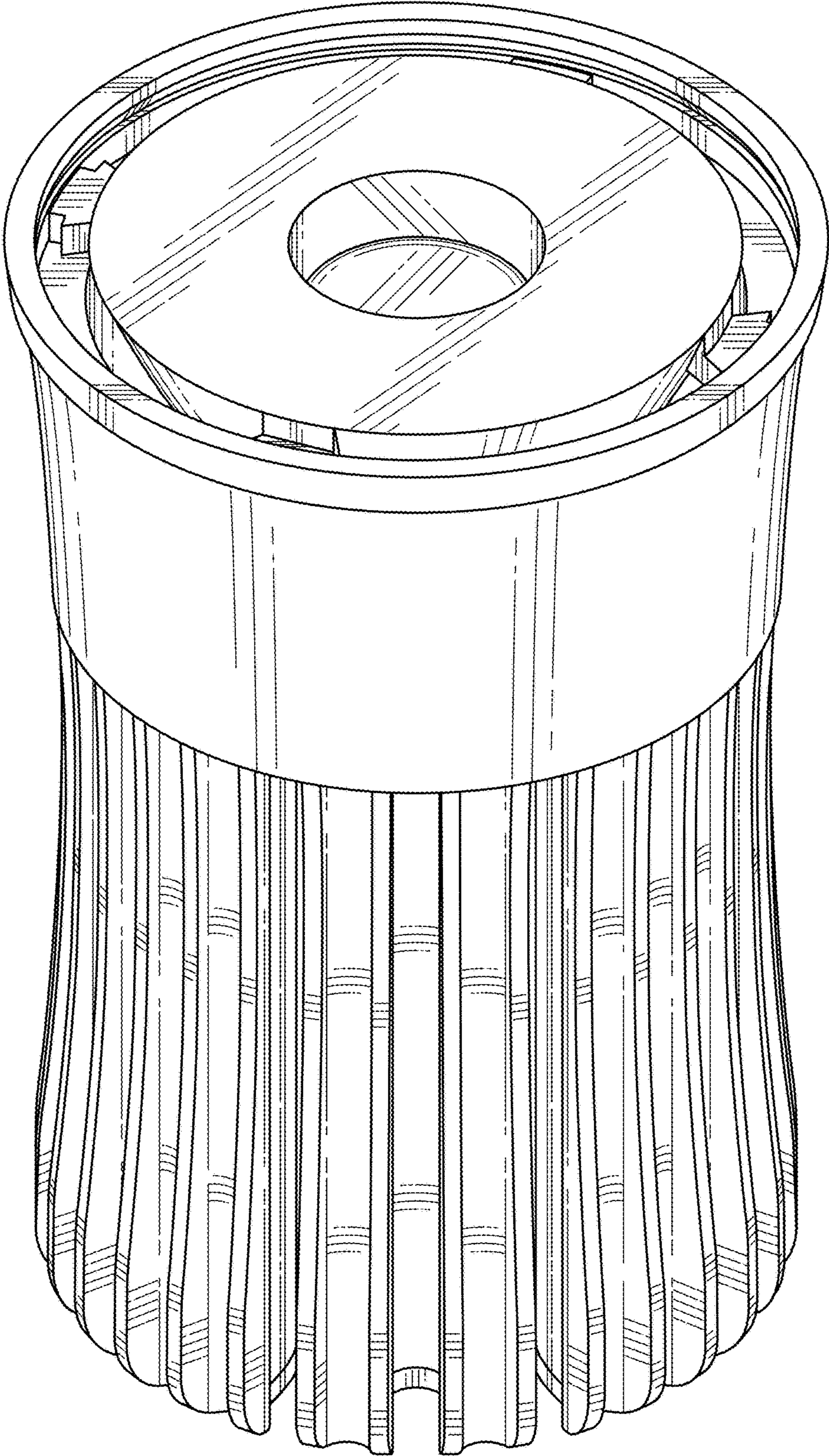


FIG. 1

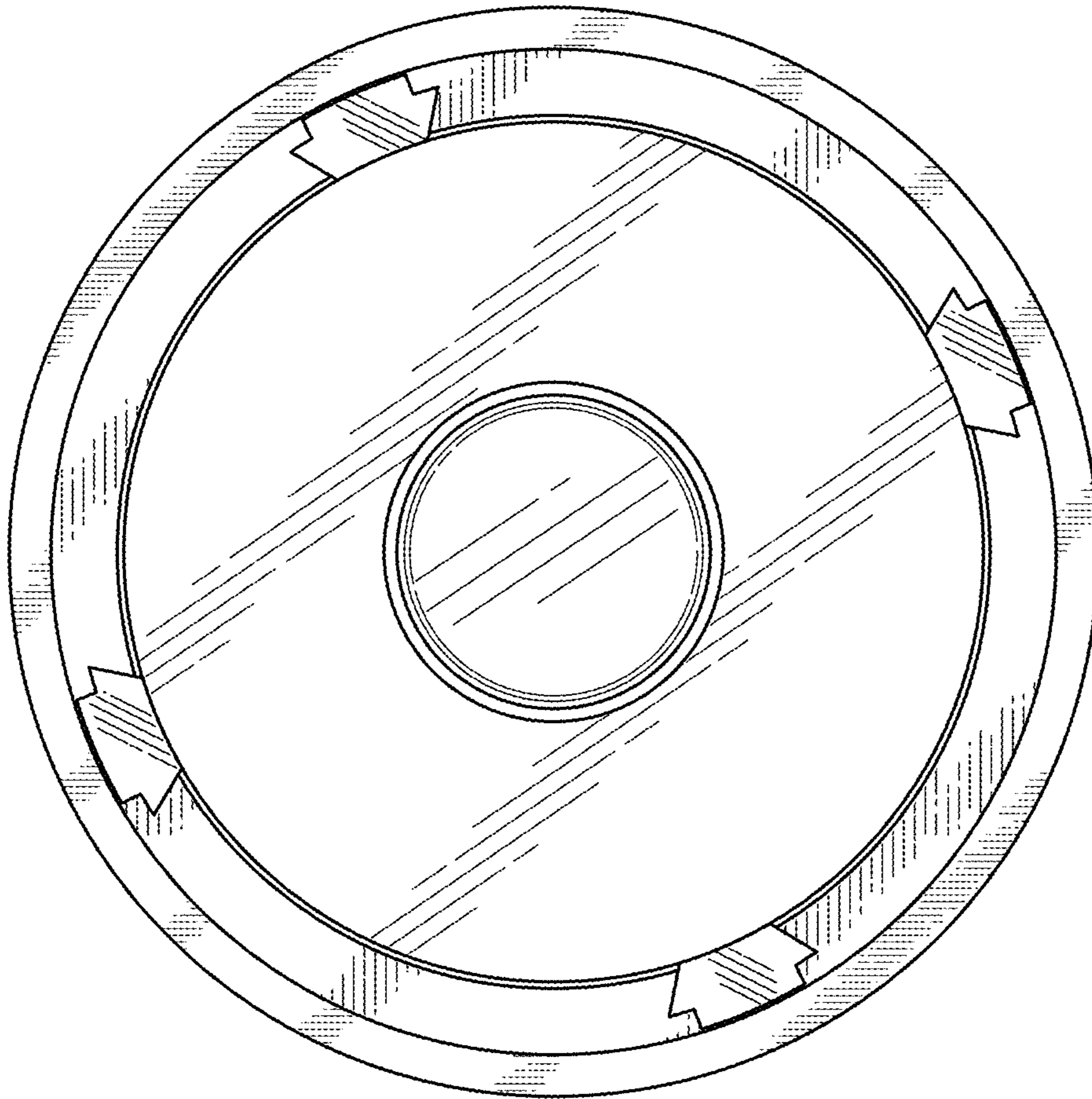


FIG. 2

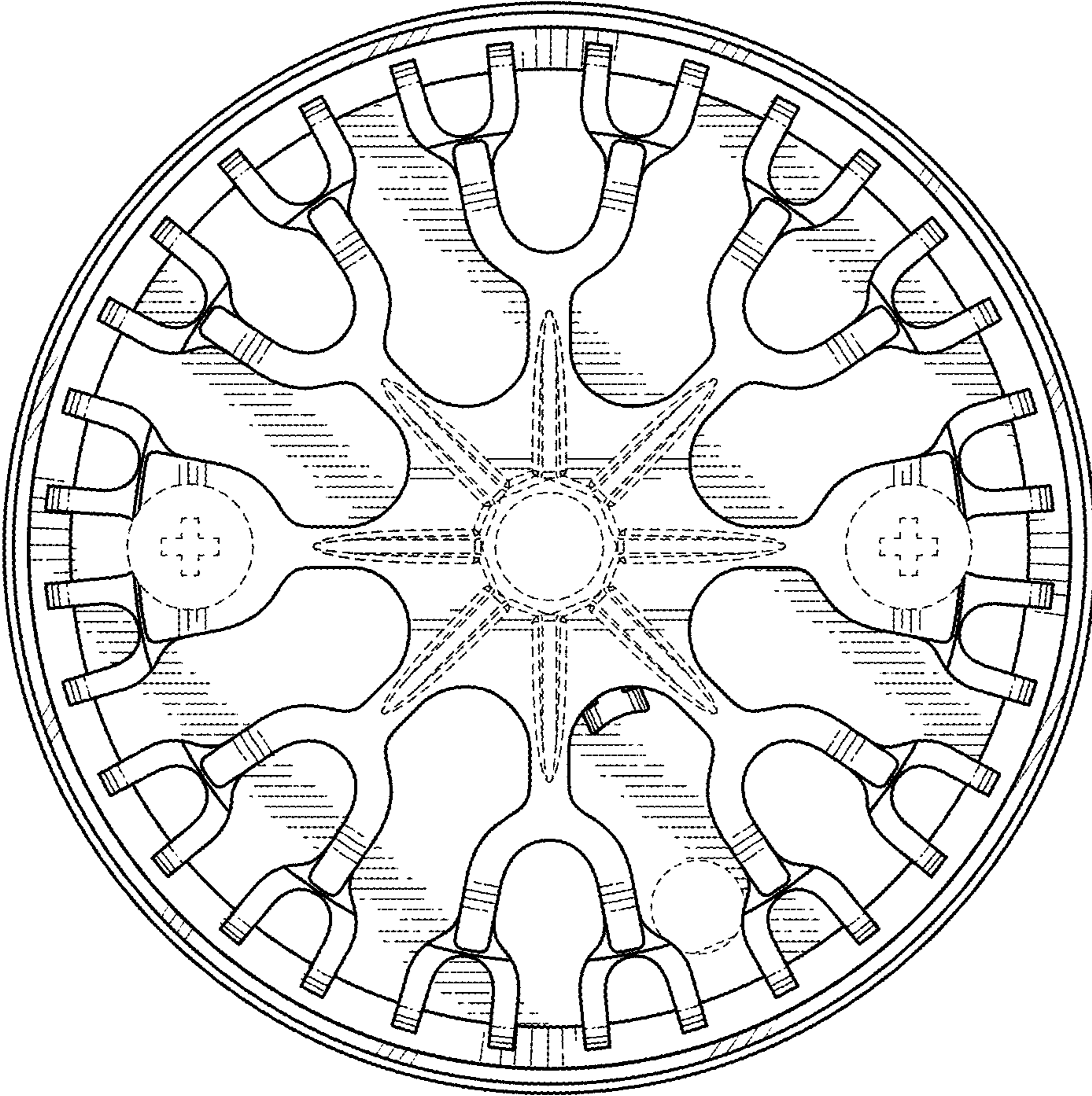


FIG. 3

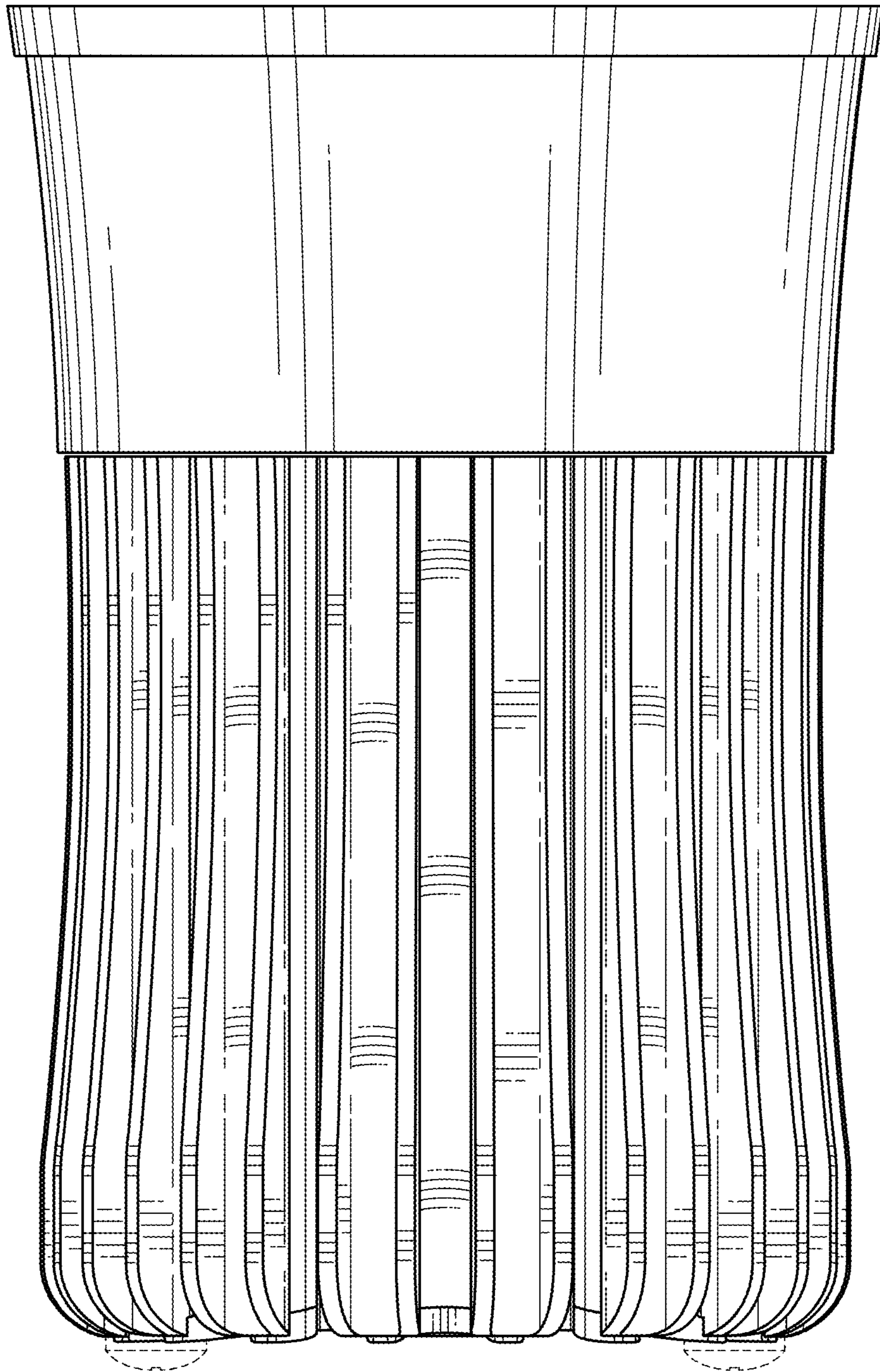


FIG. 4

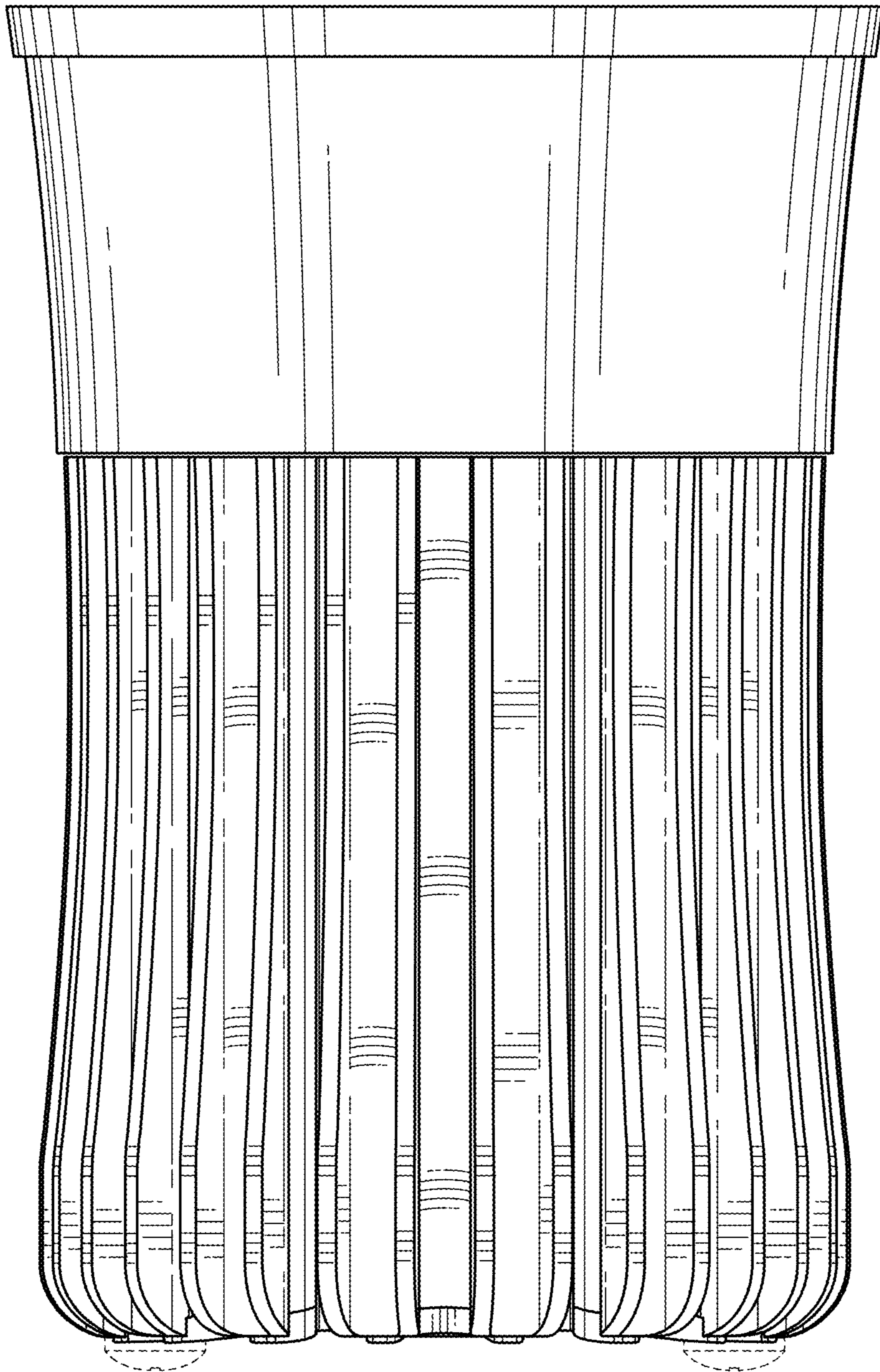


FIG. 5

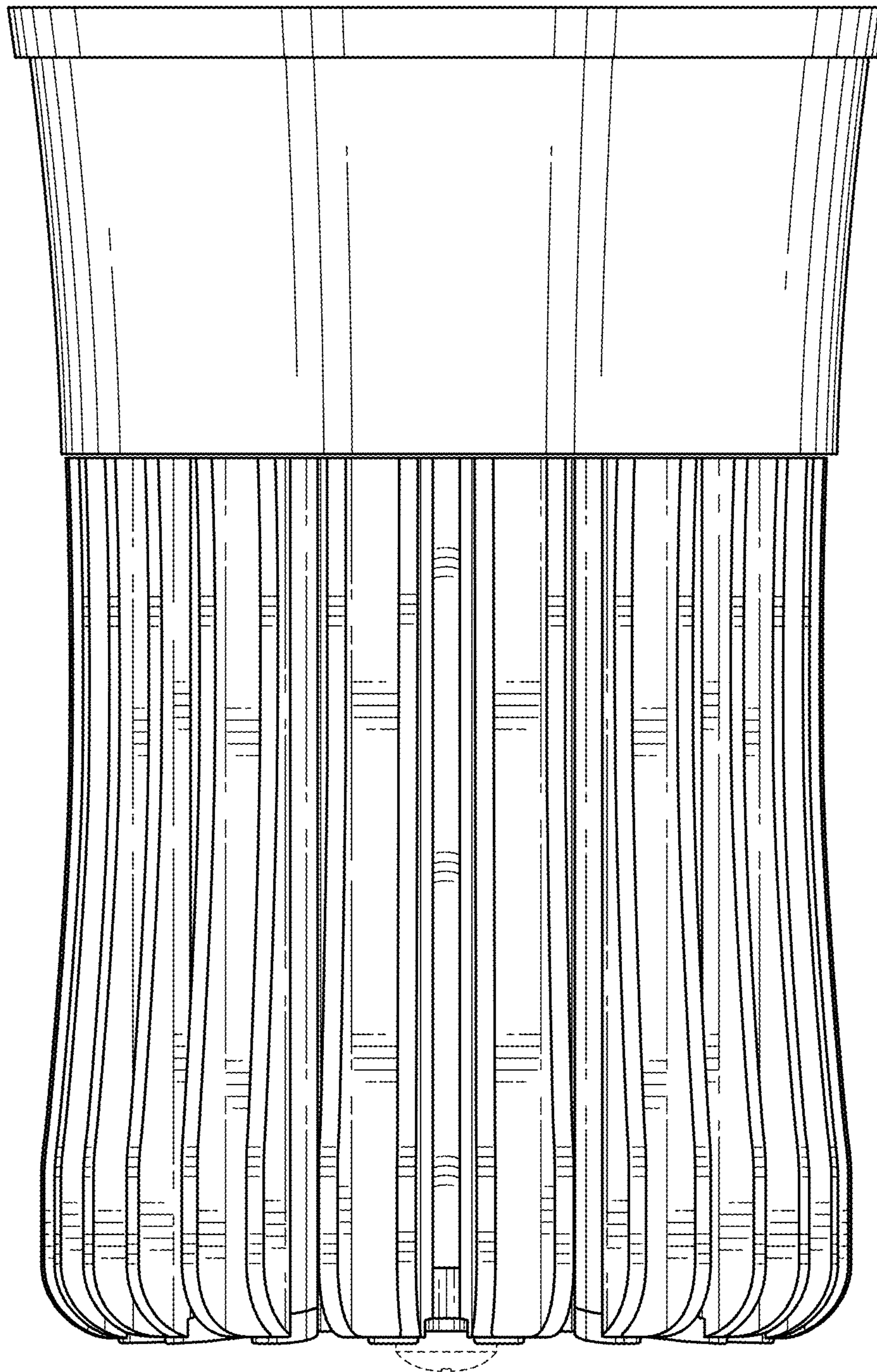


FIG. 6

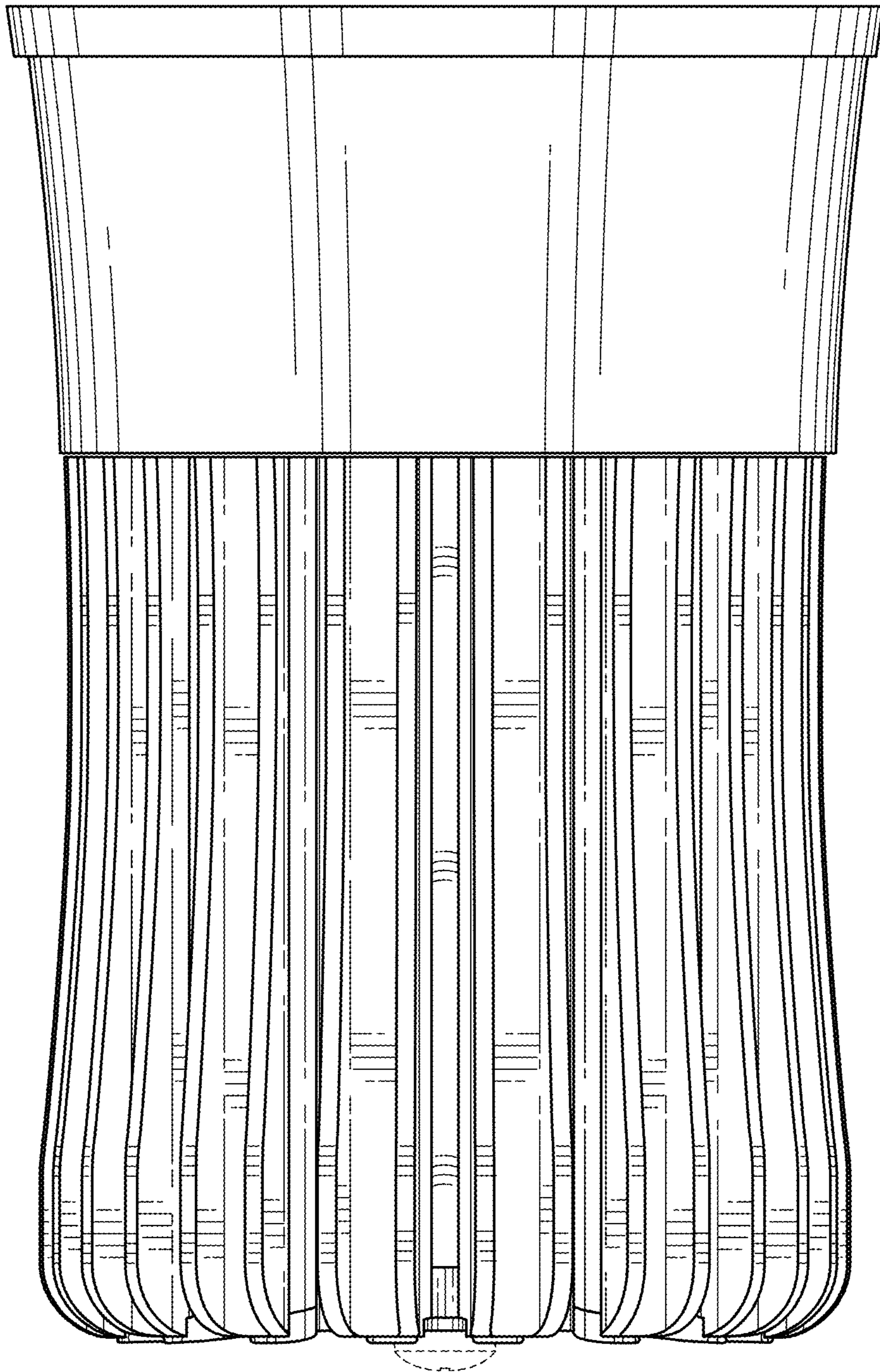


FIG. 7