



US00D813420S

(12) **United States Design Patent** (10) **Patent No.:** **US D813,420 S**  
**Rosner** (45) **Date of Patent:** **\*\* Mar. 20, 2018**

(54) **JOIST BLOCKER**  
(71) Applicant: **Oscar Rosner**, Matawan, NJ (US)  
(72) Inventor: **Oscar Rosner**, Matawan, NJ (US)  
(\*\*) Term: **14 Years**  
(21) Appl. No.: **29/523,014**  
(22) Filed: **Apr. 6, 2015**  
(51) **LOC (11) Cl.** ..... **25-01**  
(52) **U.S. Cl.**  
USPC ..... **D25/133**  
(58) **Field of Classification Search**  
USPC ..... D25/125, 127, 128, 133, 134  
See application file for complete search history.

2008/0163581 A1\* 7/2008 Greth ..... E04B 1/41  
52/702  
2011/0041450 A1\* 2/2011 Espinosa ..... E04B 1/2604  
52/698  
2011/0219720 A1\* 9/2011 Strickland ..... E04B 1/24  
52/655.1  
2013/0264531 A1\* 10/2013 Stewart ..... E04F 21/18  
254/133 R

\* cited by examiner

*Primary Examiner* — Garth Rademaker  
*Assistant Examiner* — Samantha Q. Lawrence  
(74) *Attorney, Agent, or Firm* — John D Ritchison;  
Ritchison Law Offices, PC

(56) **References Cited**

U.S. PATENT DOCUMENTS

D561,421 S \* 2/2008 Cheng ..... D34/29  
8,205,402 B1 \* 6/2012 diGirolamo ..... E04B 2/765  
52/241  
8,225,581 B2 \* 7/2012 Strickland ..... E04C 3/07  
52/481.1  
8,407,947 B2 \* 4/2013 Yaggi, Jr. .... E04D 12/006  
248/300  
D682,069 S \* 5/2013 Lehane ..... D8/349  
D753,849 S \* 4/2016 Cai ..... D25/133  
2003/0213206 A1 \* 11/2003 Hansort ..... E04B 1/41  
52/698  
2007/0209311 A1 \* 9/2007 Keys ..... E04C 3/11  
52/696  
2007/0234662 A1 \* 10/2007 Hanig ..... E04H 7/30  
52/293.3

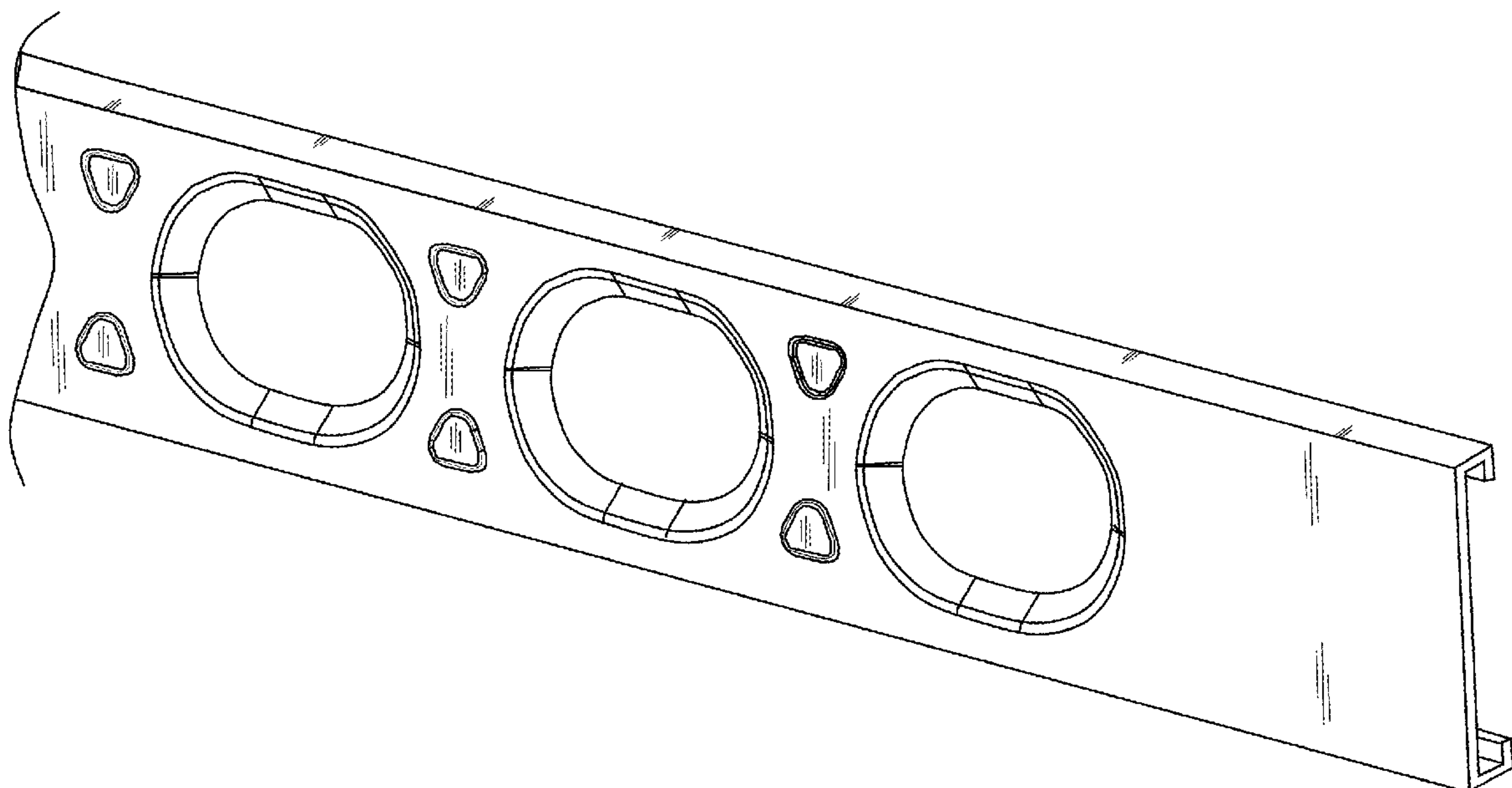
(57) **CLAIM**

I claim the ornamental design for a joist blocker, as shown and described.

**DESCRIPTION**

FIG. 1 is a partial perspective view of a joist blocker.  
FIG. 2 is a full-length front view thereof.  
FIG. 2A is a partial front view thereof.  
FIG. 2B is a partial front view thereof.  
FIG. 2C is an enlarged partial front view thereof, showing section 2 c of FIG. 2.  
FIG. 3 is an enlarged cross-section view taken along lines 3-3 of FIG. 2A; and,  
FIG. 4 is a bottom view of the joist blocker, the top view being a mirror image thereof.

**1 Claim, 3 Drawing Sheets**



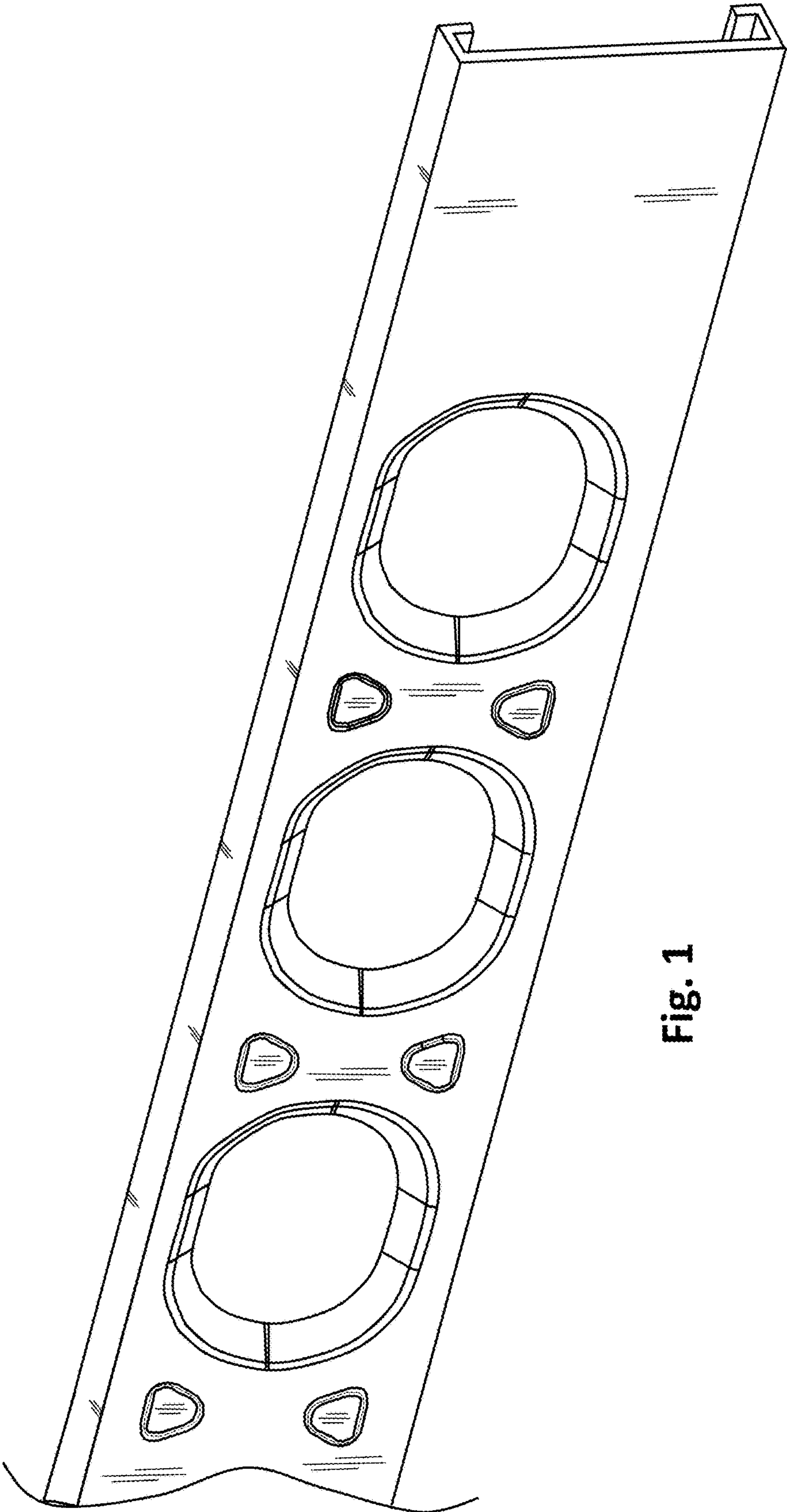


Fig. 1

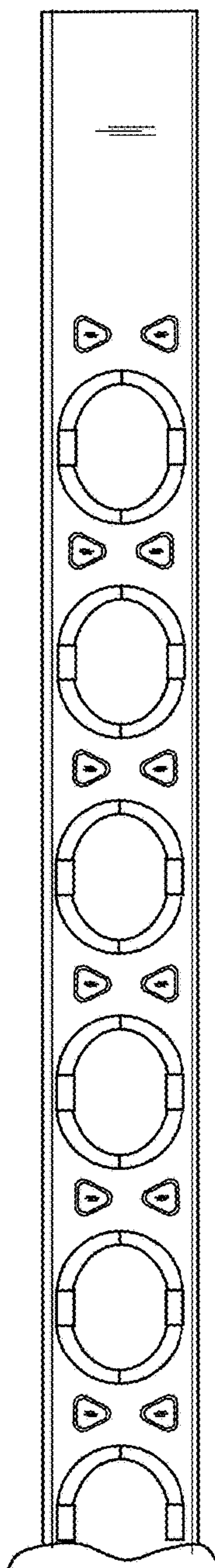


Fig. 2 B

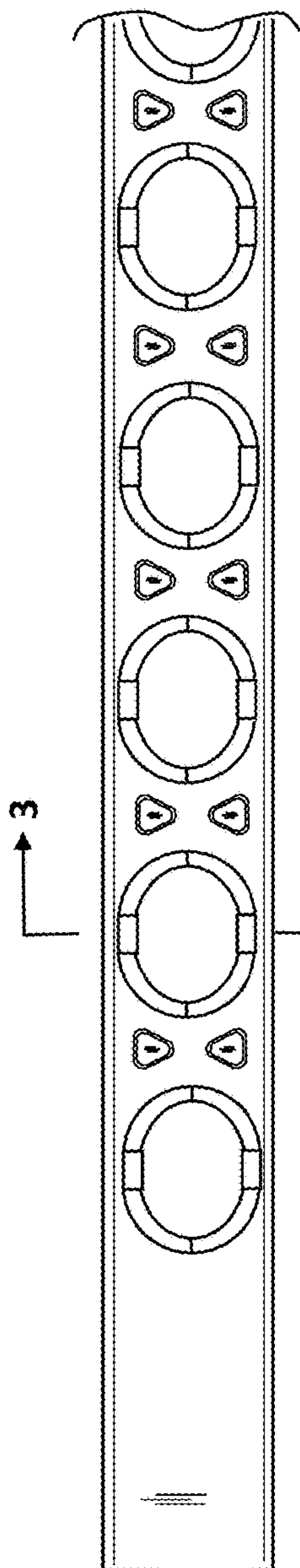


Fig. 2 A

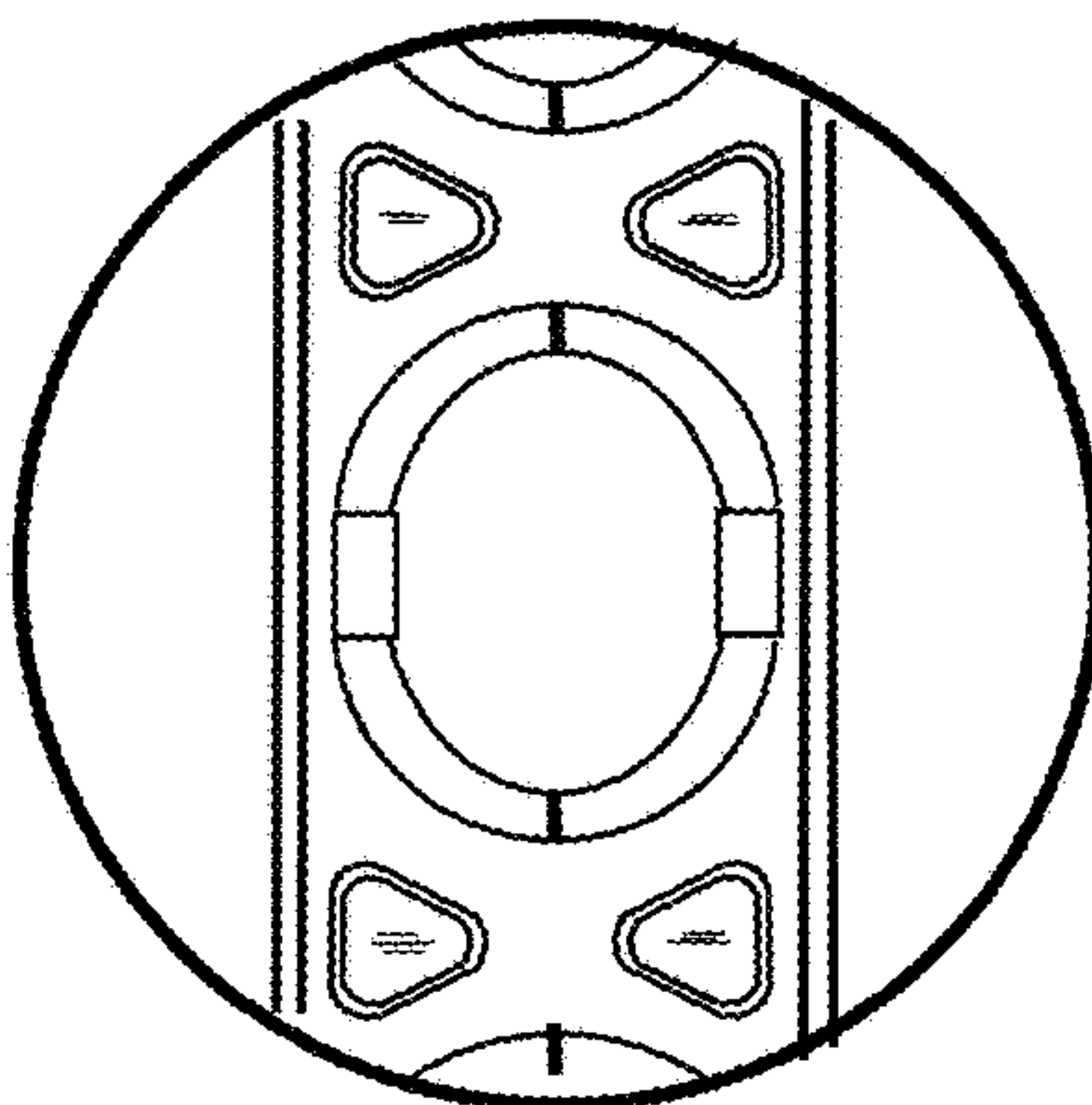


Fig. 2 C

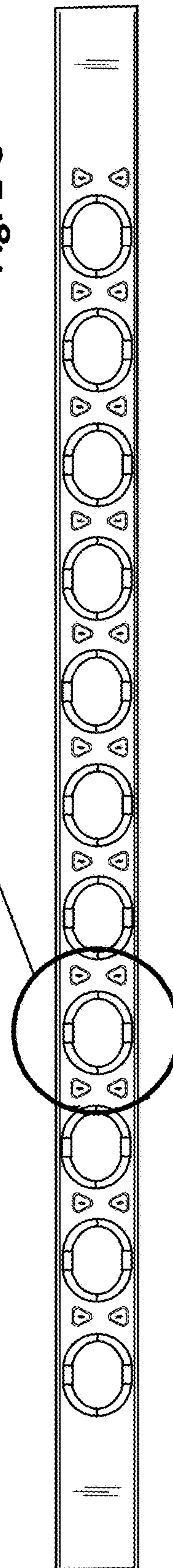


Fig. 2



Fig. 4

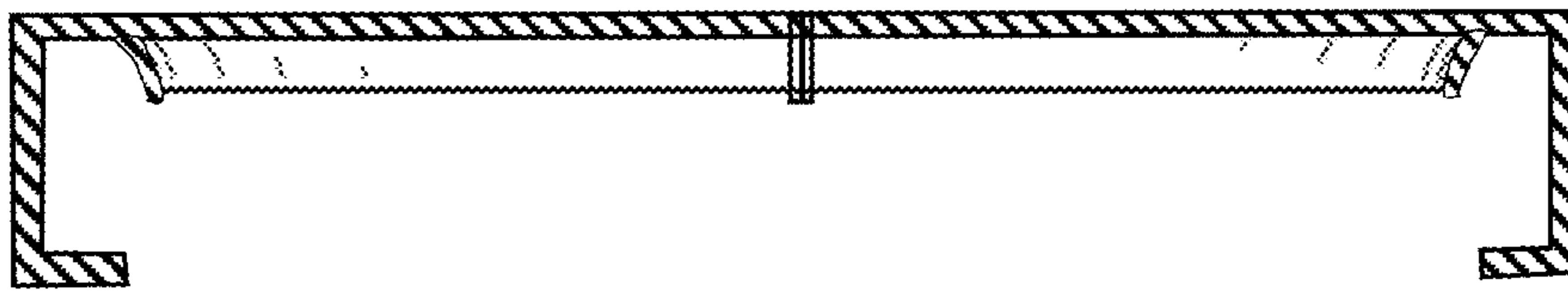


Fig. 3