



US00D813418S

(12) **United States Design Patent**
Ewoldt

(10) **Patent No.:** **US D813,418 S**
(45) **Date of Patent:** **** Mar. 20, 2018**

(54) **SURFACE MOUNT JAMB WITH SNAP COVER**

(71) Applicant: **Unique Home Designs, Inc.**, Gilbert, AZ (US)

(72) Inventor: **John O. Ewoldt**, Gilbert, AZ (US)

(73) Assignee: **Unique Home Designs, Inc.**, Gilbert, AZ (US)

(**) Term: **15 Years**

(21) Appl. No.: **29/541,538**

(22) Filed: **Oct. 5, 2015**

(51) **LOC (11) Cl.** **25-01**

(52) **U.S. Cl.**
USPC **D25/119**

(58) **Field of Classification Search**
USPC D25/119-125, 69, 56, 48.8, 47, 49, 60, D25/141, 138, 58, 38.1, 135, 136, 35, 61; 52/179, 506.06, 506.07, 716.1, 579, 578, 52/506.05, 489.1, 309.14, 518, 555, 52/204.59, 204.5, 211, 773, 717.02; 40/658, 666, 426, 549, 761
CPC ... E06B 1/603; E06B 1/52; E06B 1/12; E06B 5/11; E06B 5/161
See application file for complete search history.

(56) **References Cited**

U.S. PATENT DOCUMENTS

2,765,884 A * 10/1956 Steffan E06B 1/52
52/211
2,826,282 A * 3/1958 Goldberg E06B 1/20
49/436
D376,213 S * 12/1996 Macri D25/124
D376,856 S * 12/1996 DiGiorgio D25/124

5,603,191 A * 2/1997 Wu E06B 1/30
49/504
5,727,356 A * 3/1998 Ensinger E06B 3/26303
49/DIG. 1
6,490,831 B1 * 12/2002 Candusso E06B 3/303
52/204.1
D527,114 S * 8/2006 Hamill D25/124
D572,833 S * 7/2008 Wickland D25/124
7,694,472 B2 * 4/2010 Rawlings E06B 3/2675
52/204.1
7,861,473 B1 * 1/2011 Green E06B 9/52
52/204.1
D664,680 S * 7/2012 Kim D25/124
2015/0368955 A1 * 12/2015 Zohar E06B 3/205
52/204.5

* cited by examiner

Primary Examiner — Cynthia Ramirez

Assistant Examiner — Gino Colan

(74) *Attorney, Agent, or Firm* — Booth Udall Fuller, PLC

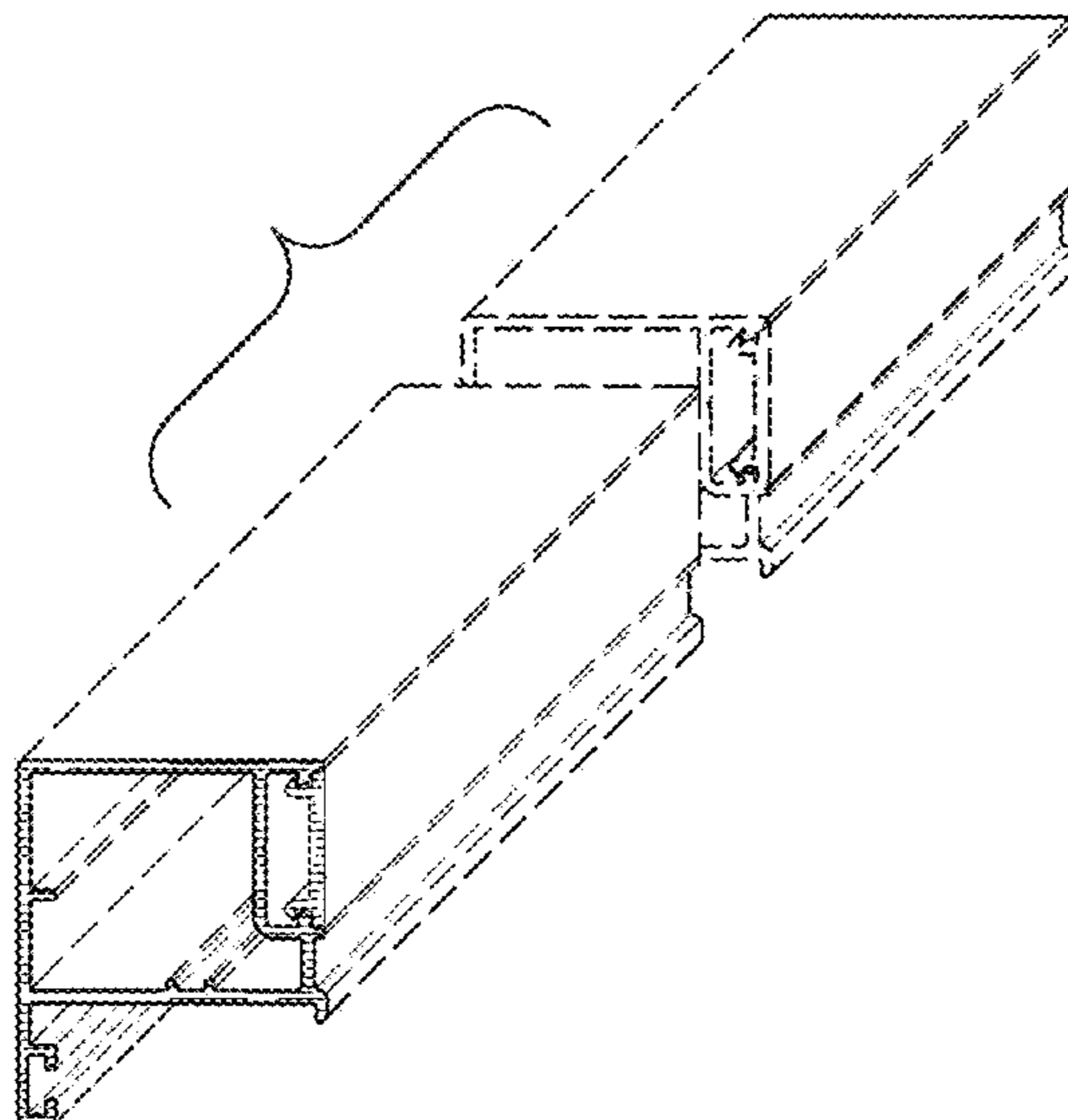
(57) **CLAIM**

I claim the ornamental design for a surface mount jamb with snap cover, as shown and described.

DESCRIPTION

FIG. 1 is a perspective view of a surface mount jamb with snap cover showing my new design;
FIG. 2 is a left side elevational view thereof;
FIG. 3 is a right side elevational view thereof;
FIG. 4 is a bottom plan view thereof;
FIG. 5 is a top plan view thereof;
FIG. 6 is a front elevational view thereof; and,
FIG. 7 is a rear elevational view thereof.
The broken lines shown in the figures are included for the purpose of illustrating portions of the surface mount jamb with snap cover and form no part of the claimed design.

1 Claim, 4 Drawing Sheets



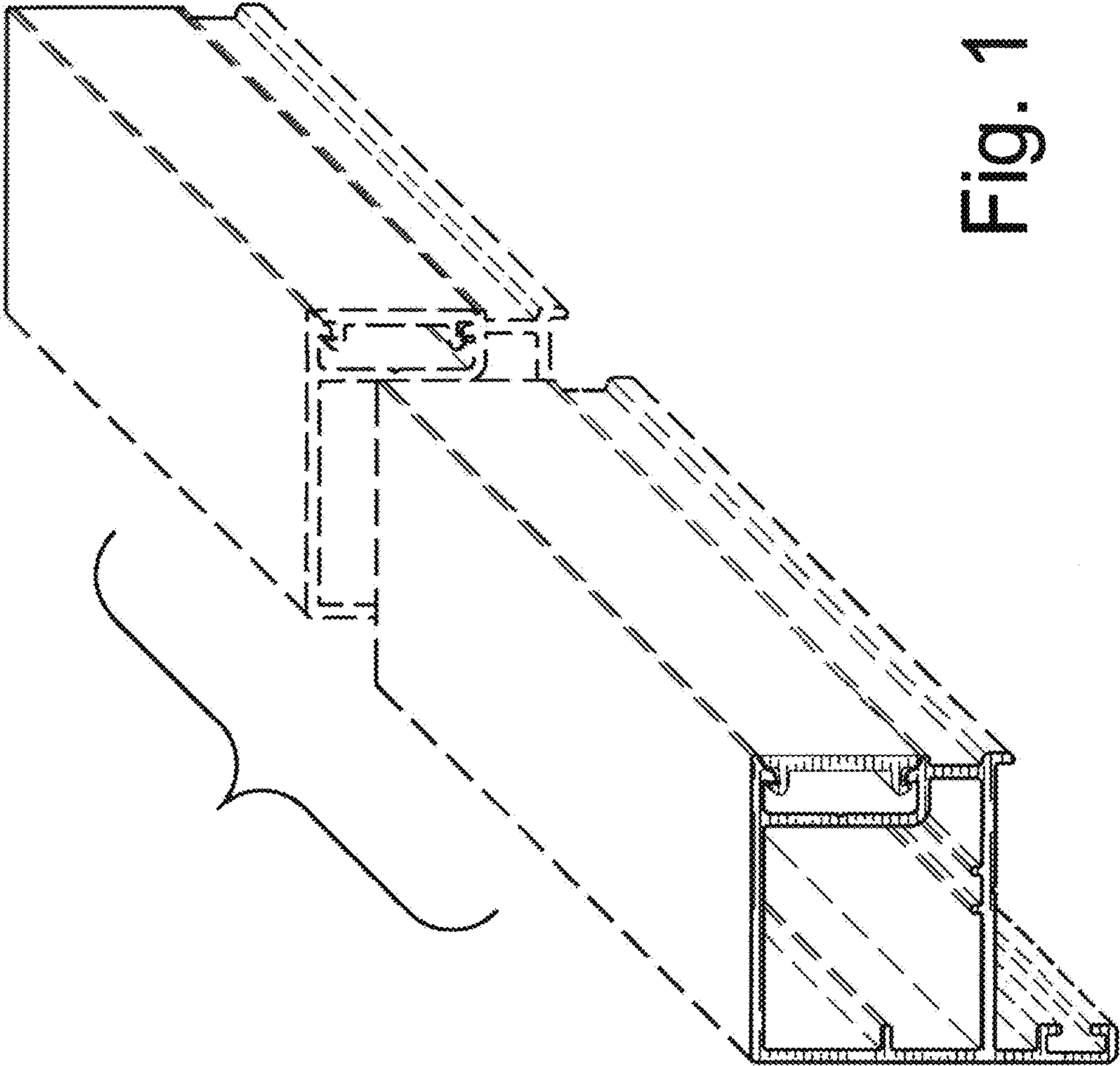


Fig. 1

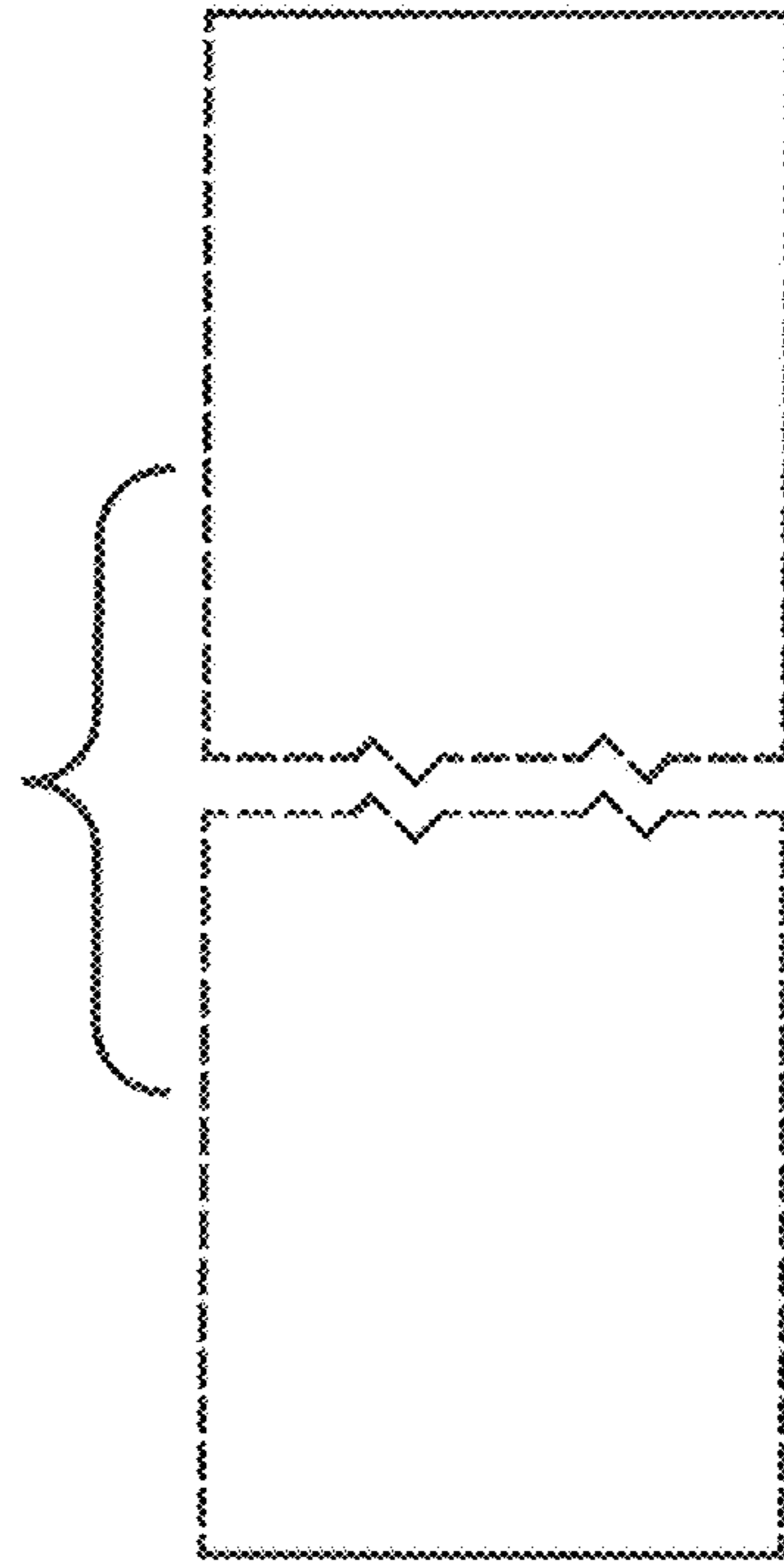


Fig. 3

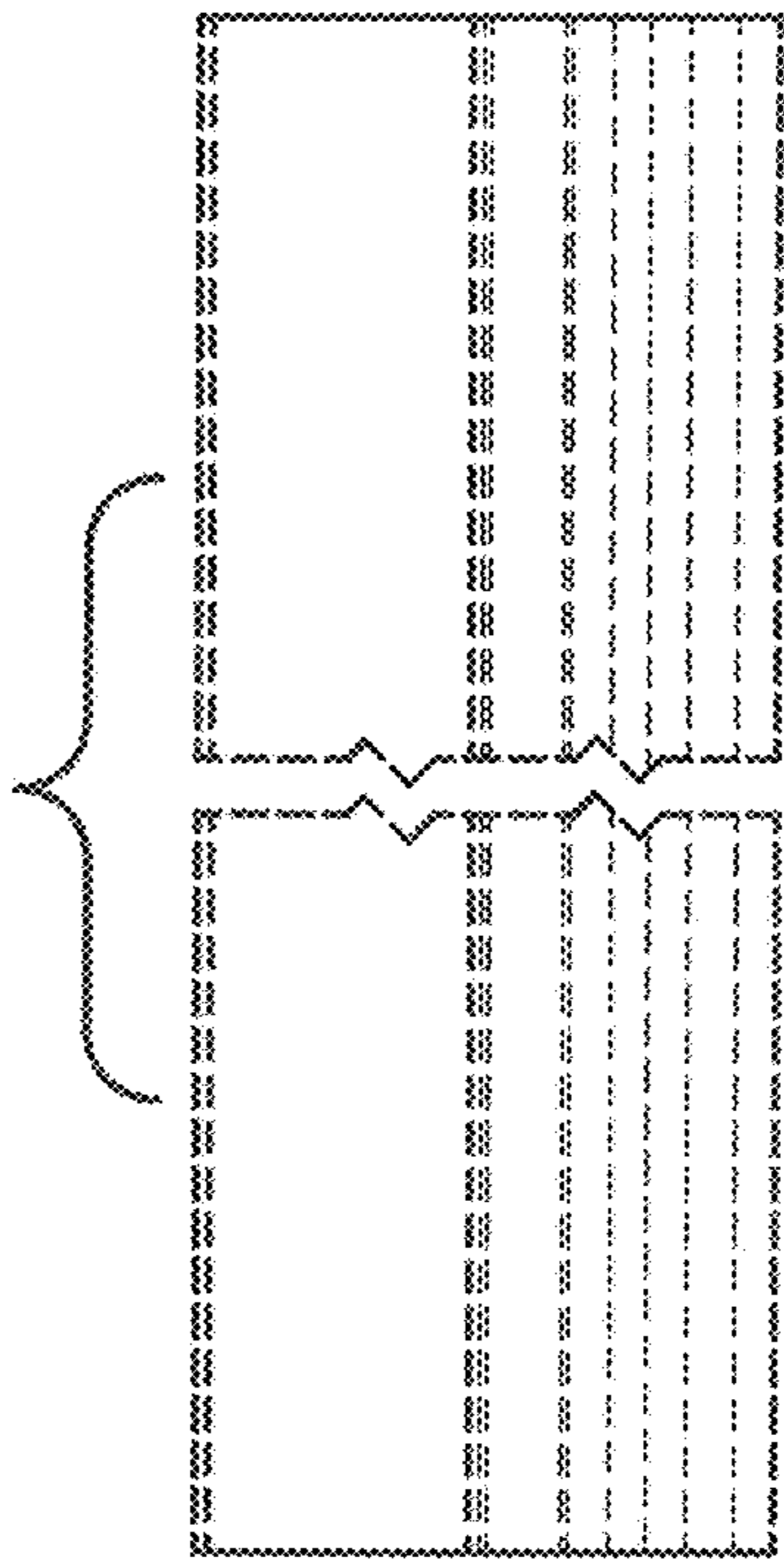


Fig. 2

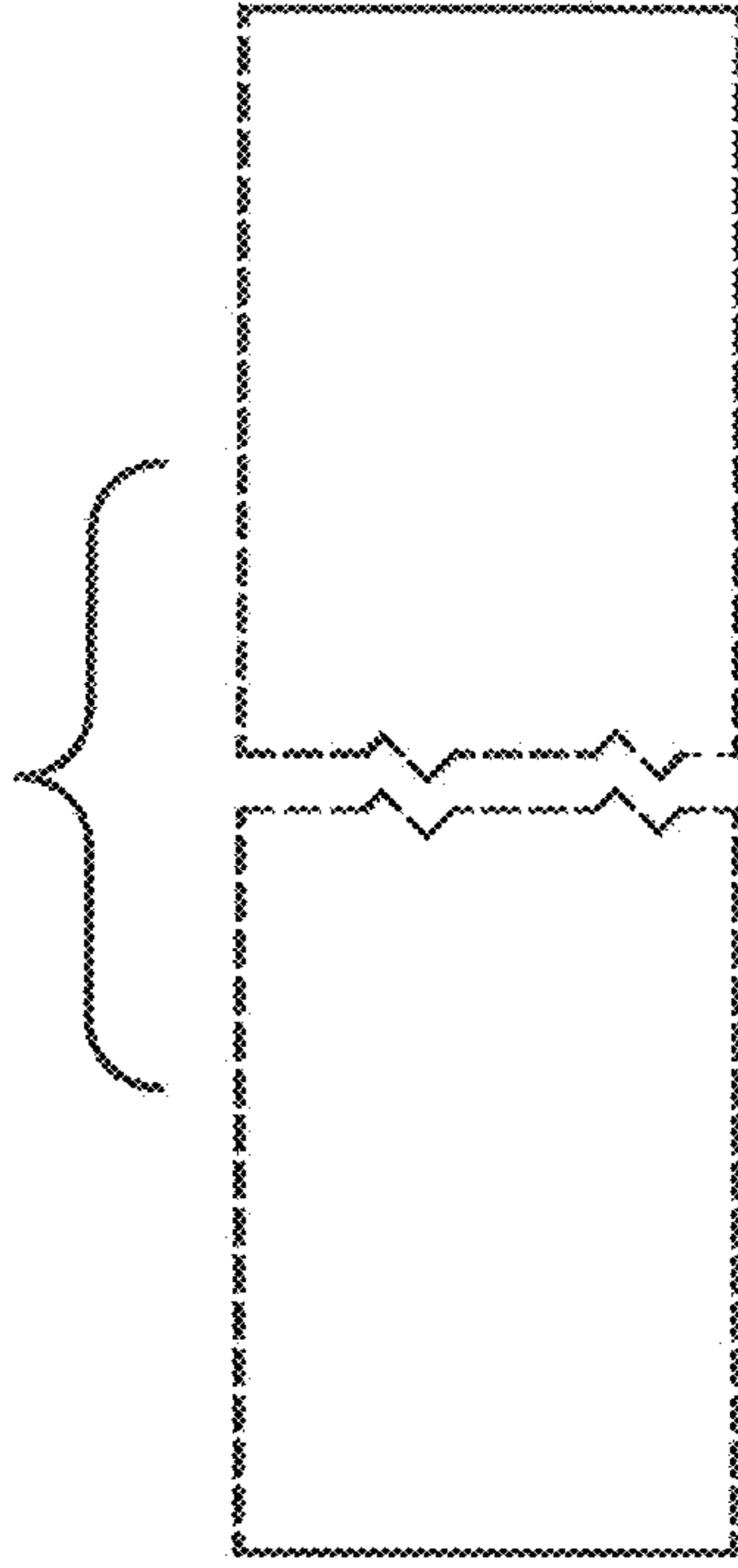


Fig. 5

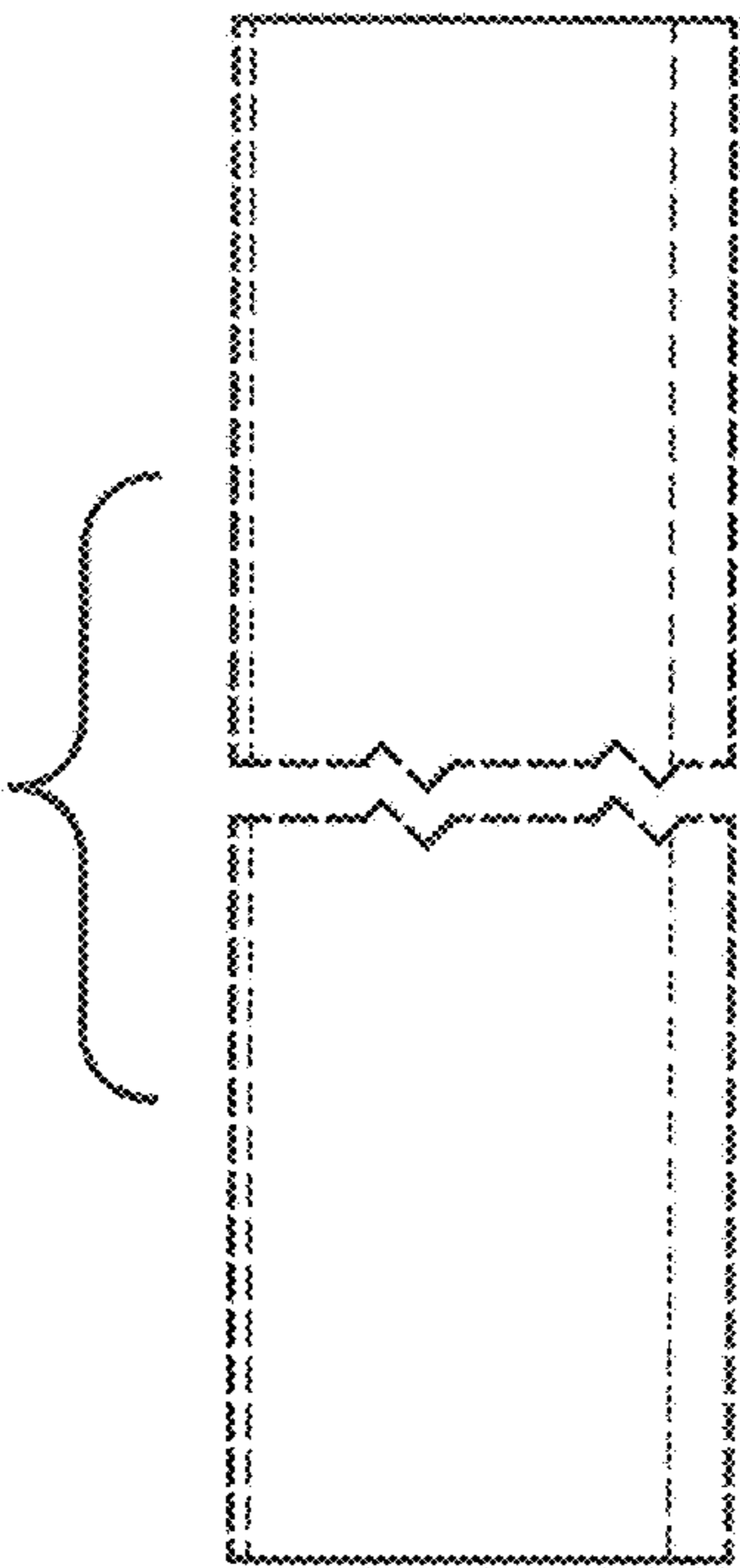


Fig. 4

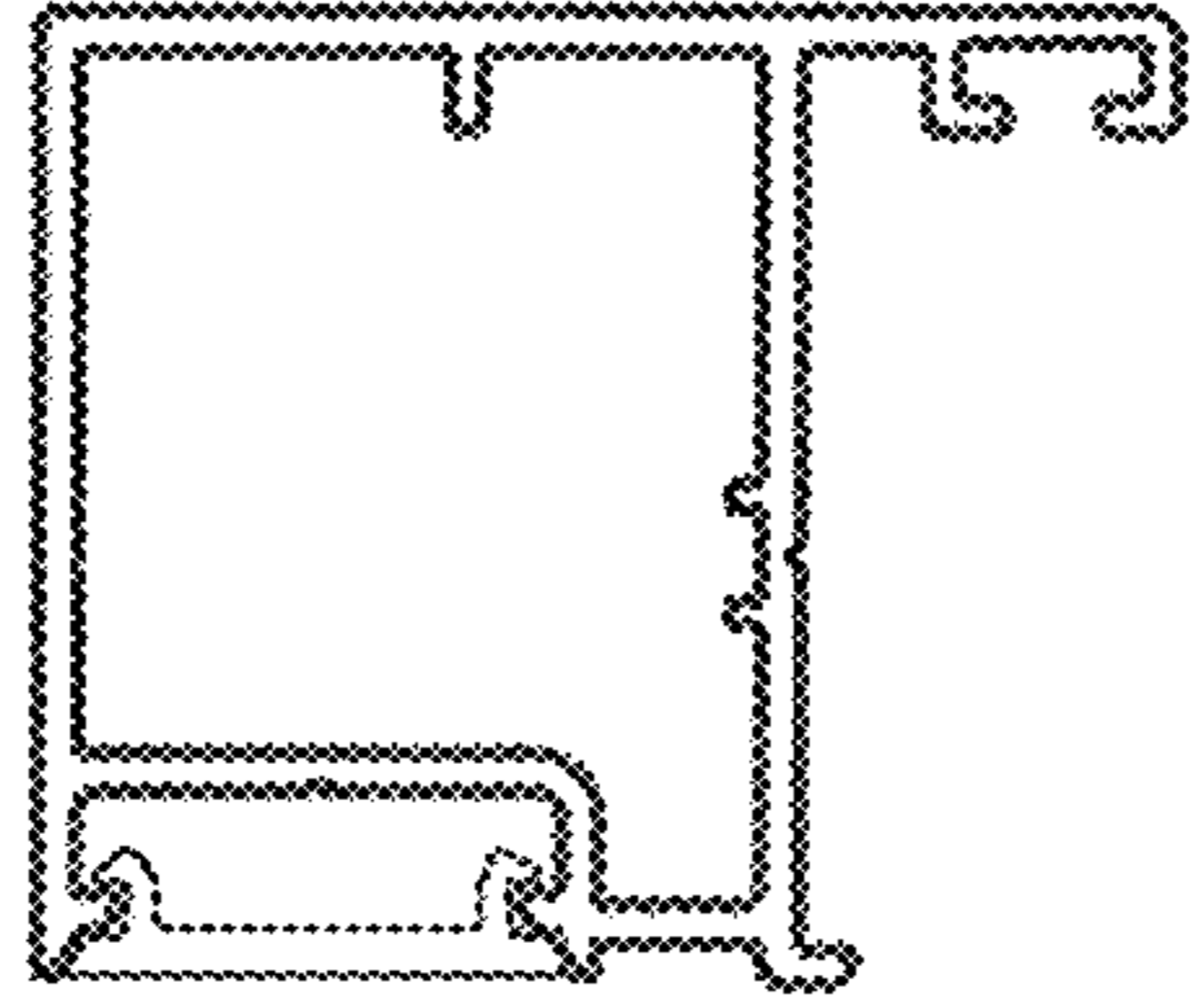


Fig. 7

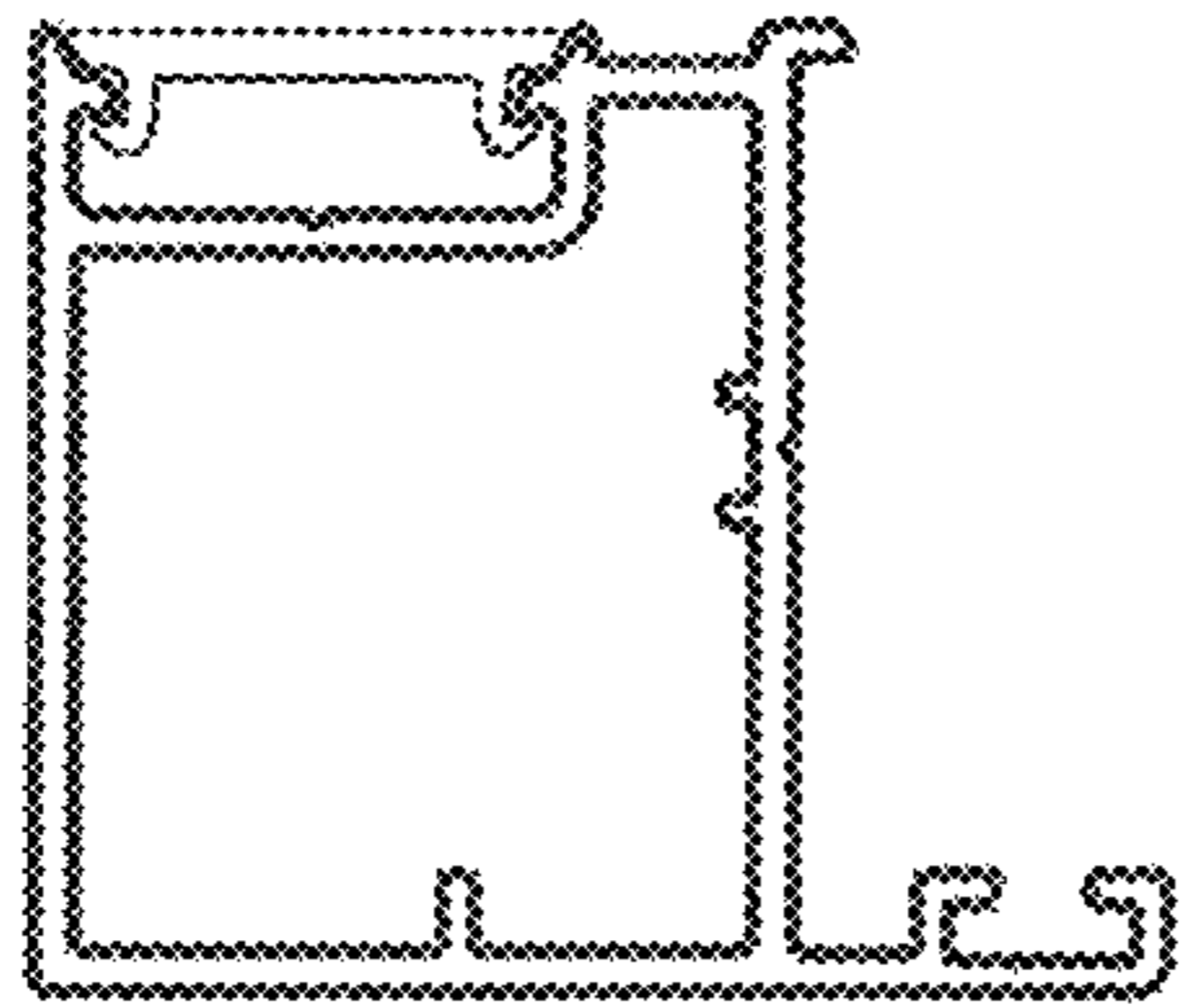


Fig. 6