



US00D813417S

(12) **United States Design Patent**
Carrera

(10) **Patent No.:** **US D813,417 S**
(45) **Date of Patent:** **** Mar. 20, 2018**

(54) **RUNG LOCK FOR A LADDER**
(71) Applicant: **Louisville Ladder Inc.**, Louisville, KY
(US)
(72) Inventor: **Abelardo Carrera**, San Nicolás de los
Garza (MX)

3,565,211 A * 2/1971 Le Blanc E06C 1/12
182/211
4,299,306 A * 11/1981 Hawkins E06C 7/06
182/210
5,117,943 A * 6/1992 Schmitt E06C 1/12
182/213
5,429,207 A * 7/1995 Frank E06C 1/12
182/209

(73) Assignee: **LOUISVILLE LADDER INC.**,
Louisville, KY (US)

* cited by examiner

(**) Term: **15 Years**

Primary Examiner — Cynthia Ramirez
Assistant Examiner — Gino Colan

(21) Appl. No.: **29/586,368**

(74) *Attorney, Agent, or Firm* — Egbert Law Offices,
PLLC

(22) Filed: **Dec. 2, 2016**

(51) **LOC (11) Cl.** **25-04**

(57) **CLAIM**

(52) **U.S. Cl.**
USPC **D25/68**

The ornamental design for a rung lock for a ladder, as shown
and described.

(58) **Field of Classification Search**
USPC D25/62–65, 68, 69; 182/209, 211
CPC E06C 7/06; E06C 1/12
See application file for complete search history.

DESCRIPTION

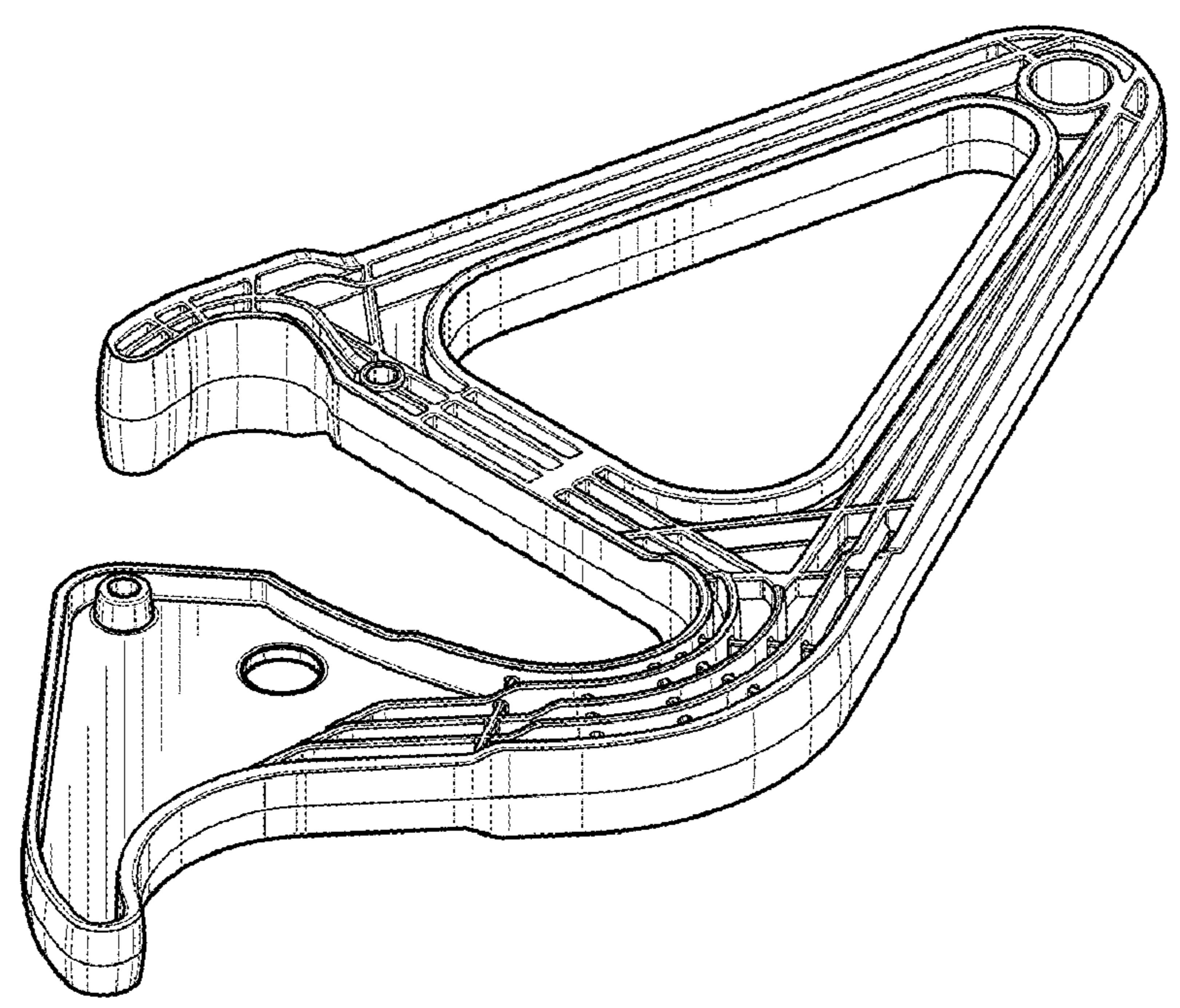
(56) **References Cited**

FIG. 1 is an upper perspective view of a rung lock for a
ladder showing my new design;
FIG. 2 is a top plan view thereof;
FIG. 3 is a bottom plan view thereof;
FIG. 4 is a right side elevational view thereof;
FIG. 5 is a left side elevational view thereof;
FIG. 6 is a front elevational view thereof;
FIG. 7 is a rear elevational view thereof; and,
FIG. 8 is a bottom perspective view thereof.

U.S. PATENT DOCUMENTS

58,734 A * 10/1866 Rockwell E06C 7/06
182/210
1,059,340 A * 4/1913 Boyer E06C 7/06
182/210
1,113,413 A * 10/1914 Conabee E06C 7/06
182/211
2,388,415 A * 11/1945 John E06C 1/12
182/210

1 Claim, 3 Drawing Sheets



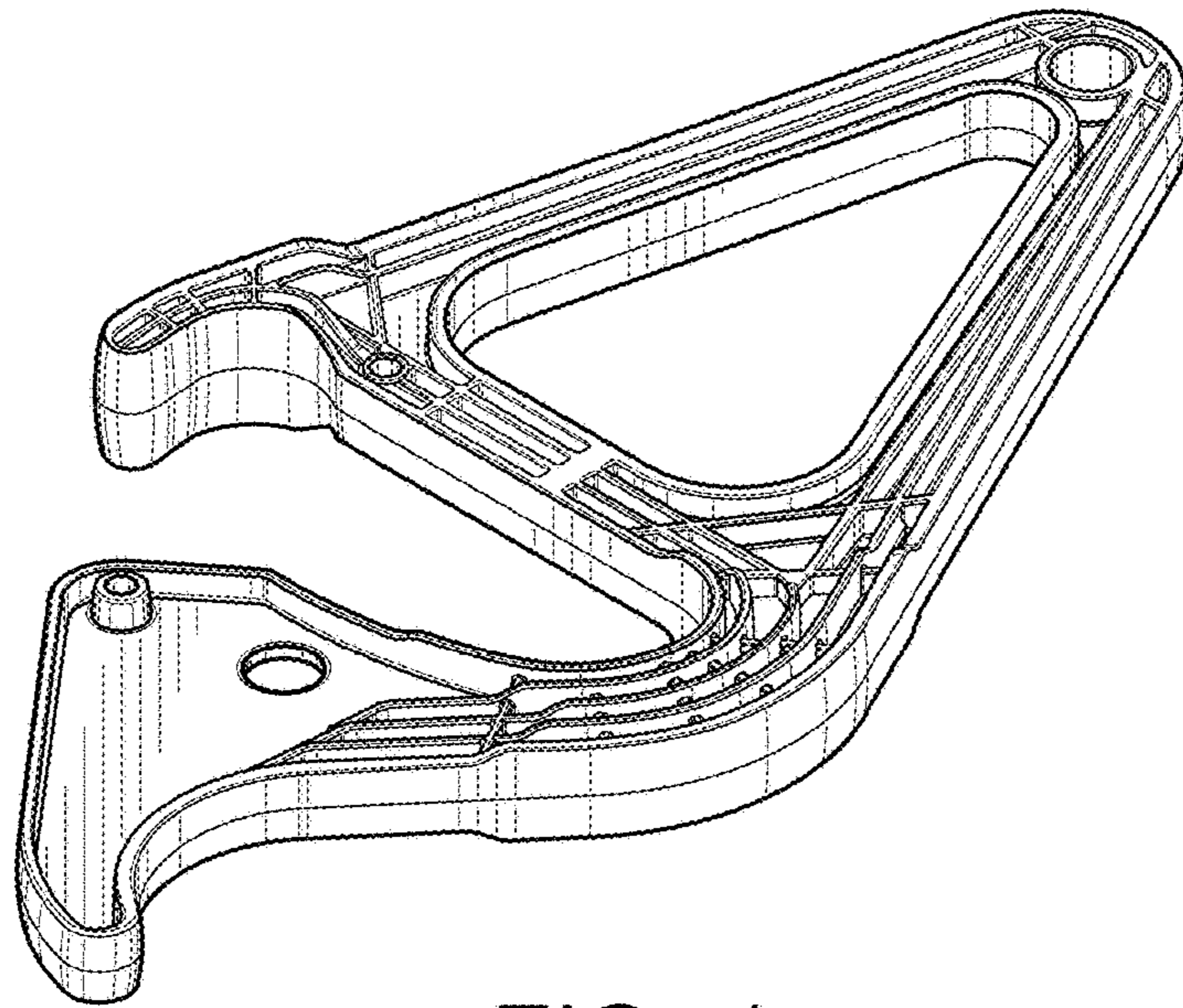


FIG. 1

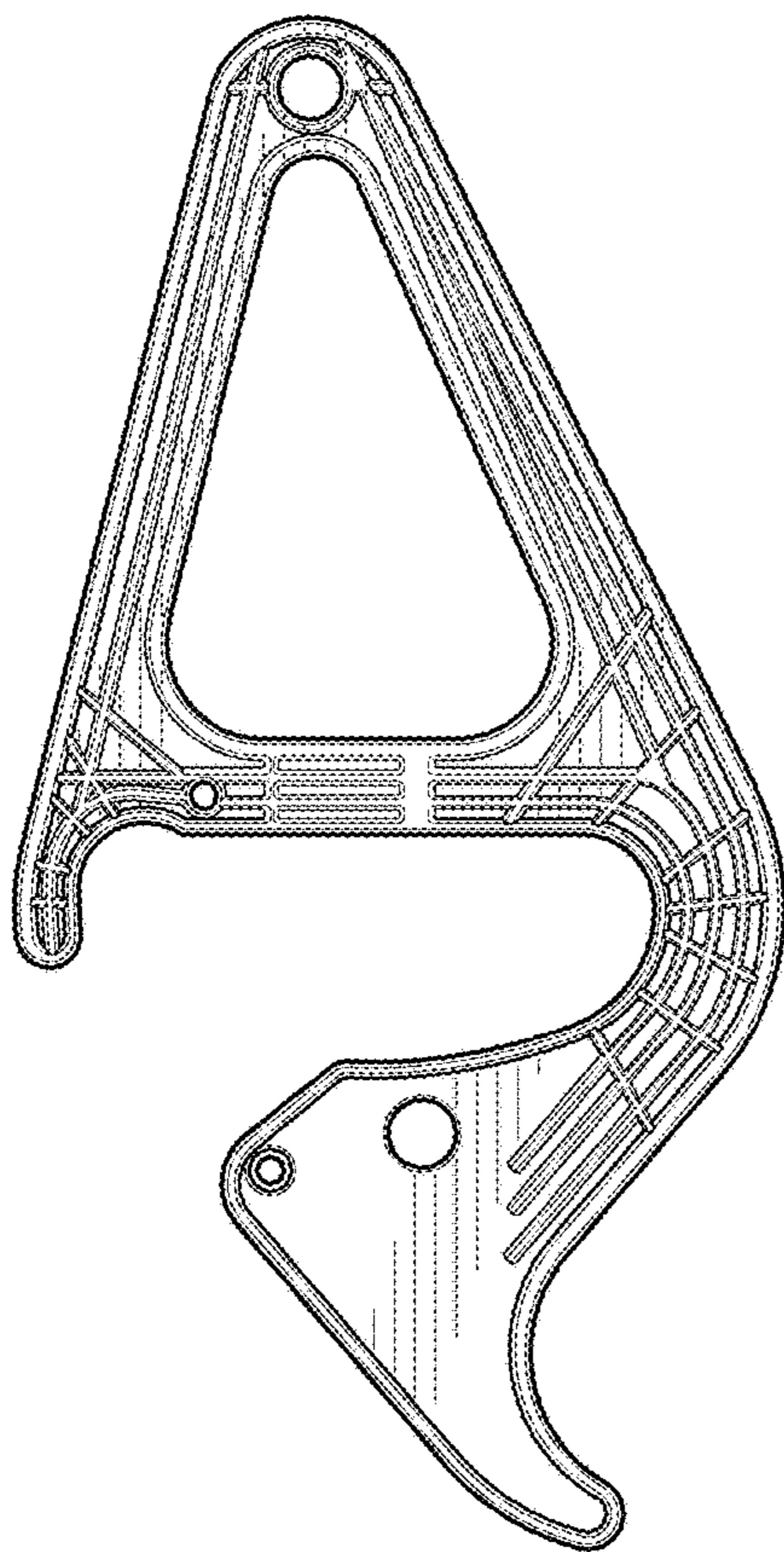


FIG. 2

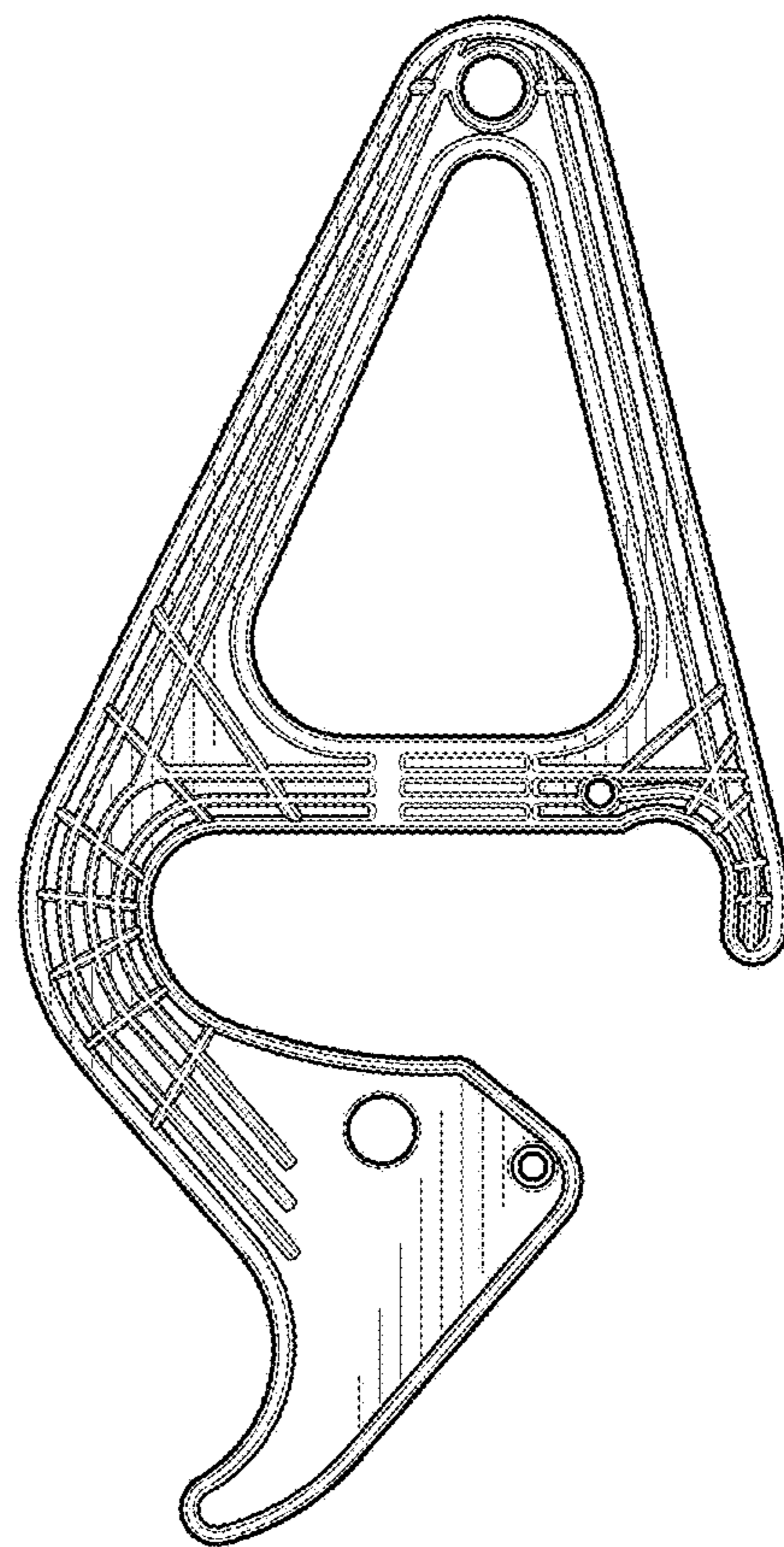


FIG. 3

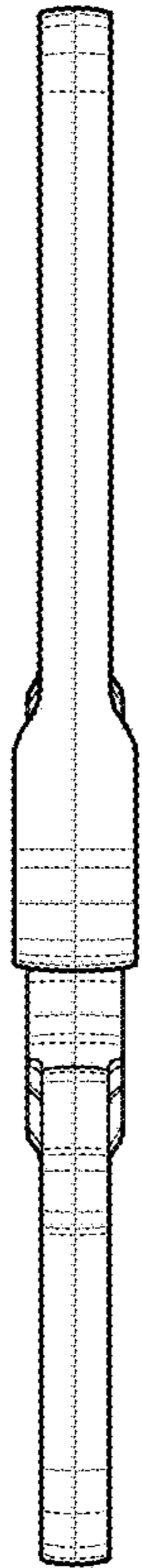


FIG. 4

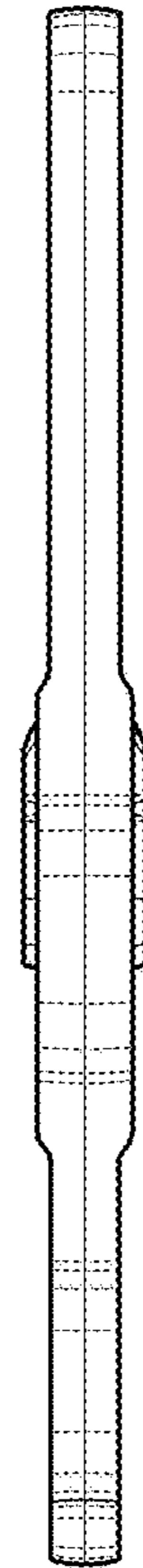


FIG. 5

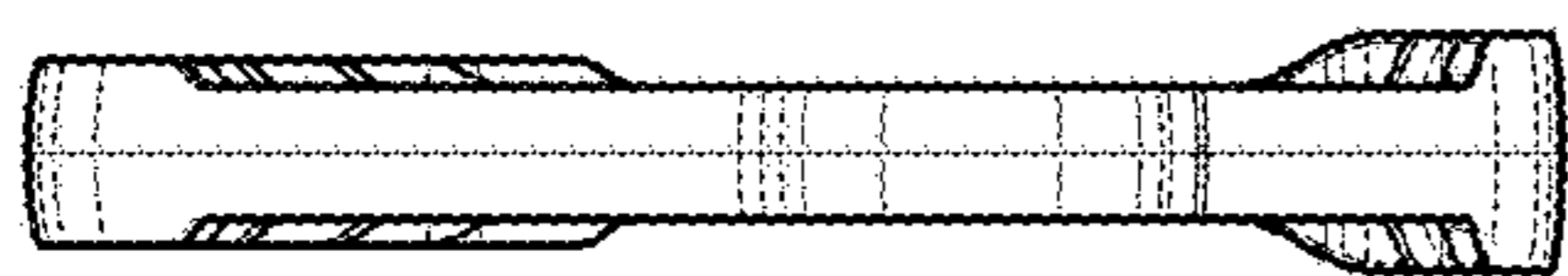


FIG. 6

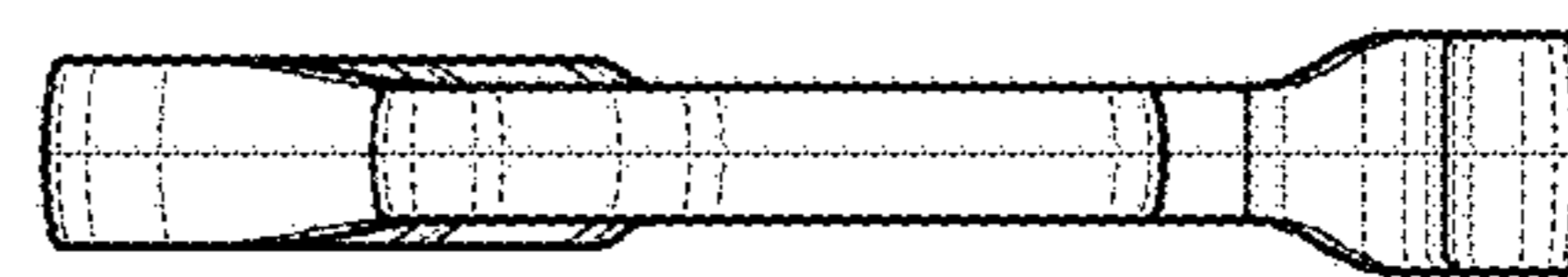


FIG. 7

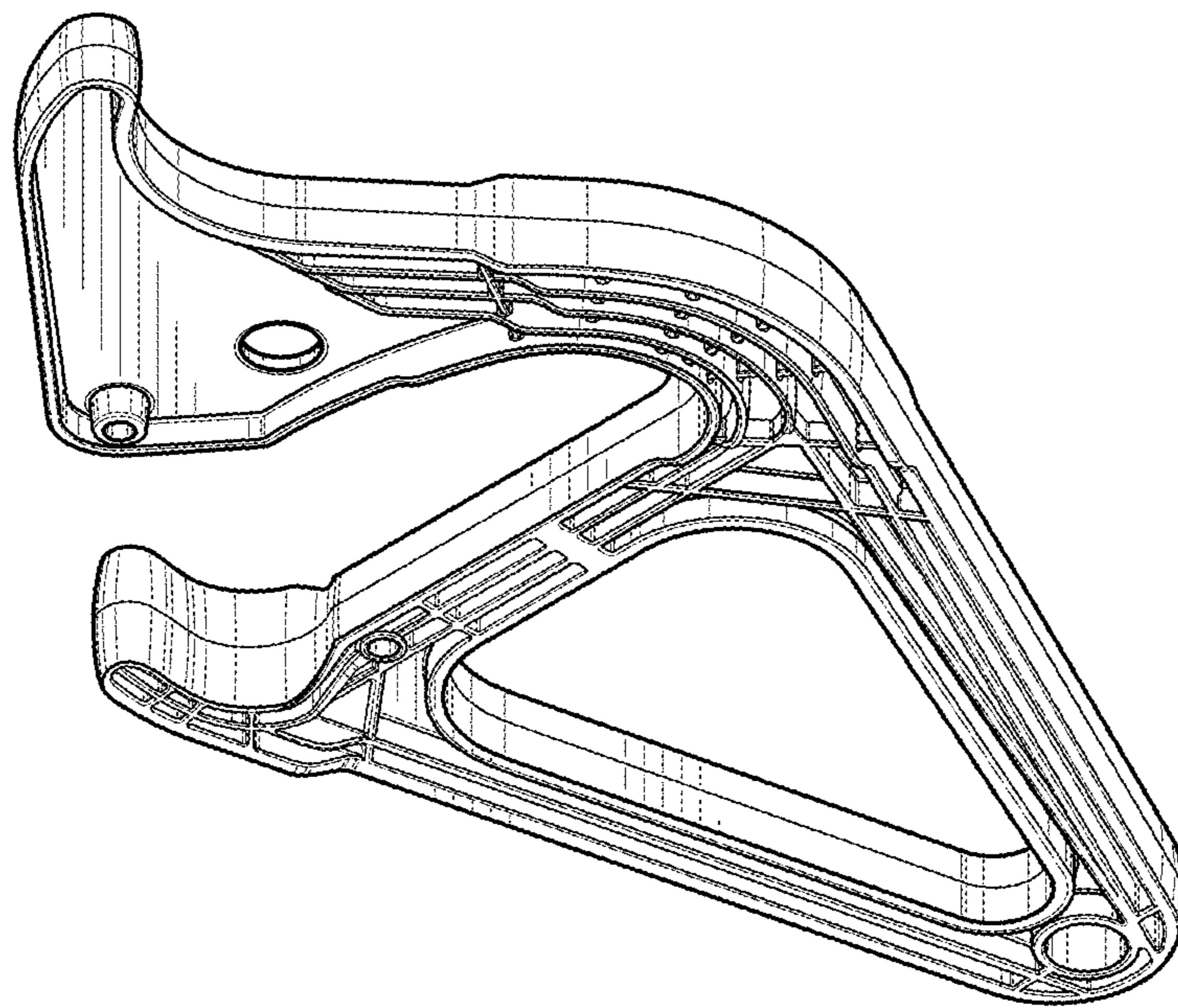


FIG. 8