



US00D813416S

(12) **United States Design Patent** (10) **Patent No.:** **US D813,416 S**
Moss et al. (45) **Date of Patent:** **** Mar. 20, 2018**

- (54) **TOP CAP FOR LADDER** 4,079,814 A 3/1978 Larson
- (71) Applicant: **Wing Enterprises, Incorporated,** 4,332,308 A 6/1982 Larson
Springville, UT (US) D310,884 S * 9/1990 Patton D25/68
- (72) Inventors: **N. Ryan Moss,** Mapleton, UT (US); D340,773 S 10/1993 Bartnicki et al.
Benjamin L. Cook, Provo, UT (US); 5,722,507 A 3/1998 Kain
Sean R. Peterson, Santaquin, UT (US) D422,717 S 4/2000 Bartnicki et al.
- (73) Assignee: **Wing Enterprises, Incorporated,** 6,364,057 B1 4/2002 Cornejo et al.
Springville, UT (US) 6,779,632 B1 8/2004 Parks, III
D530,025 S 10/2006 Patton et al.
- (**) Term: **15 Years** D531,322 S 10/2006 Patton et al.
- (21) Appl. No.: **29/577,110** D541,433 S * 4/2007 Wise D25/68
- (22) Filed: **Sep. 9, 2016** D548,364 S 8/2007 Skubic et al.

- D549,356 S 8/2007 Gibson
- D554,771 S 11/2007 Skubic et al.
- D576,290 S 9/2008 Meyers et al.
- D597,685 S 8/2009 Gibson et al.
- 7,931,123 B2 7/2011 Moldthan et al.
- 8,210,313 B2 7/2012 Astor
- 8,272,478 B2 9/2012 Astor et al.
- 8,365,863 B2 2/2013 Astor

(Continued)

Related U.S. Application Data

- (62) Division of application No. 29/501,487, filed on Sep. 4, 2014, now Pat. No. Des. 766,463.
- (51) **LOC (11) Cl.** **25-04**
- (52) **U.S. Cl.**
USPC **D25/68**
- (58) **Field of Classification Search**
USPC D25/62-69; 182/156, 152, 162, 112,
182/113, 215, 220, 120, 106, 23, 26, 115,
182/129, 201, 207, 103, 245, 2.11, 102,
182/151, 107, 21, 180.1, 194, 130, 132,
182/67.4, 157, 161, 230; 248/210
CPC ... E06C 5/04; E06C 7/00; E06C 1/383; E06C
7/02; E06C 1/26; E06C 1/28; E06C 1/30
See application file for complete search history.

Primary Examiner — Cynthia Ramirez
Assistant Examiner — Gino Colan
(74) *Attorney, Agent, or Firm* — Holland & Hart

(57) **CLAIM**

The ornamental design for a top cap for ladder, as shown and described.

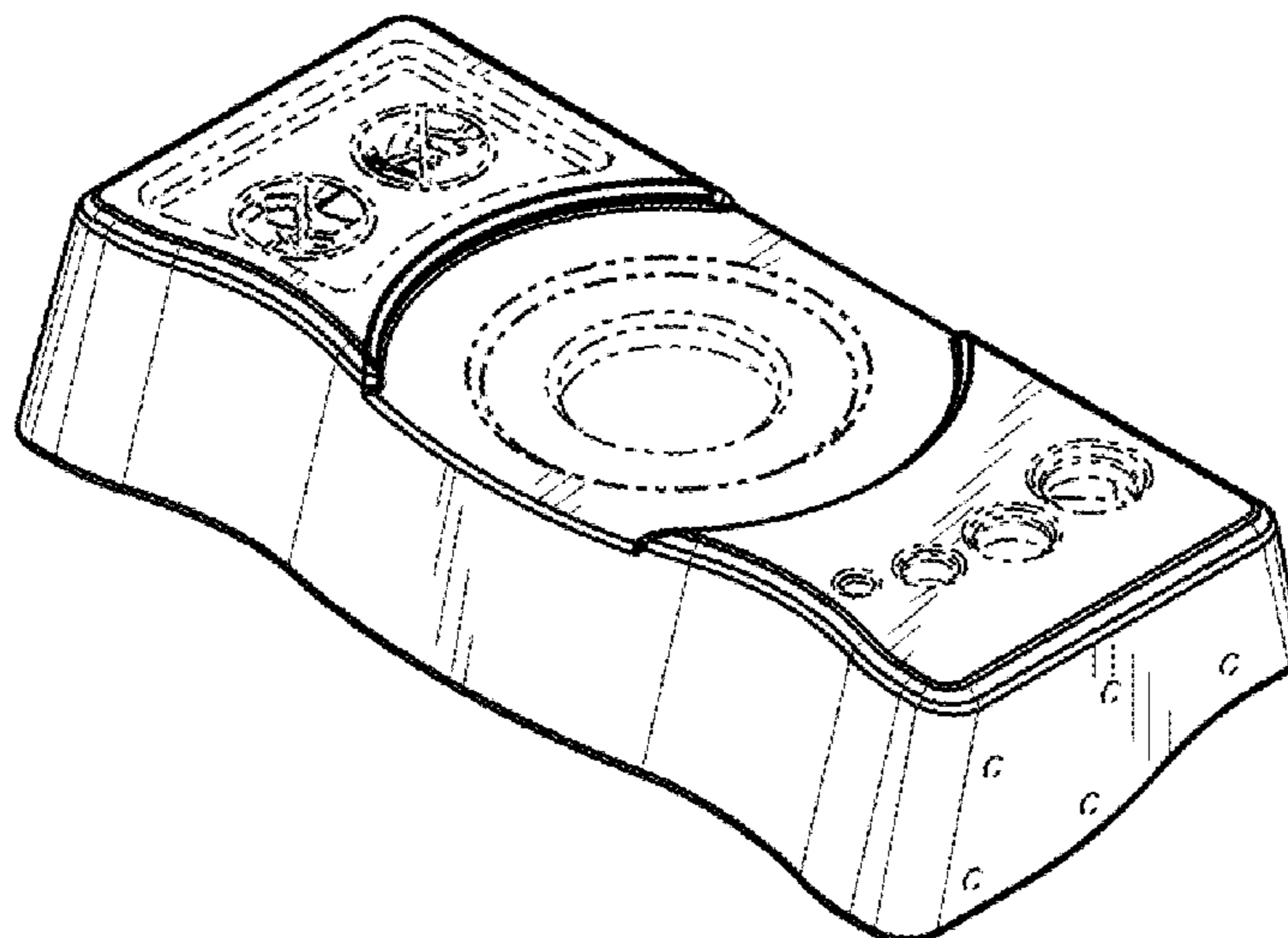
DESCRIPTION

FIG. 1 is a top plan view of a top cap for ladder showing our new design;
FIG. 2 is a perspective view thereof;
FIG. 3 is a left side elevational view thereof;
FIG. 4 is a front elevational view thereof;
FIG. 5 is a right elevational view thereof; and,
FIG. 6 is a rear elevational view thereof.
The broken lines show in the figures are for the purpose of illustrating portions of the top cap for ladder and form no part of the claimed design.

(56) **References Cited**
U.S. PATENT DOCUMENTS

- 1,935,349 A 11/1933 Breslow
- 2,109,886 A 3/1938 Lewis
- 4,011,926 A 3/1977 Larson et al.
- 4,027,741 A 6/1977 Derrick

1 Claim, 1 Drawing Sheet



(56)

References Cited

U.S. PATENT DOCUMENTS

8,376,085	B2	2/2013	Astor et al.	
8,453,796	B2	6/2013	Astor et al.	
8,528,696	B2	9/2013	Astor	
D722,181	S	2/2015	Green	
D766,461	S	9/2016	Moss et al.	
D766,462	S	9/2016	Moss et al.	
D766,463	S	9/2016	Moss et al.	
D777,350	S	1/2017	Moss et al.	
2007/0193828	A1	8/2007	Astor et al.	
2007/0193829	A1	8/2007	Astor et al.	
2008/0029339	A1	2/2008	Yewer	
2010/0116592	A1	5/2010	Clements et al.	
2014/0054111	A1	2/2014	Lu	
2014/0332316	A1	11/2014	Tiber et al.	
2015/0090533	A1*	4/2015	Moss	E06C 1/16 182/180.1

* cited by examiner

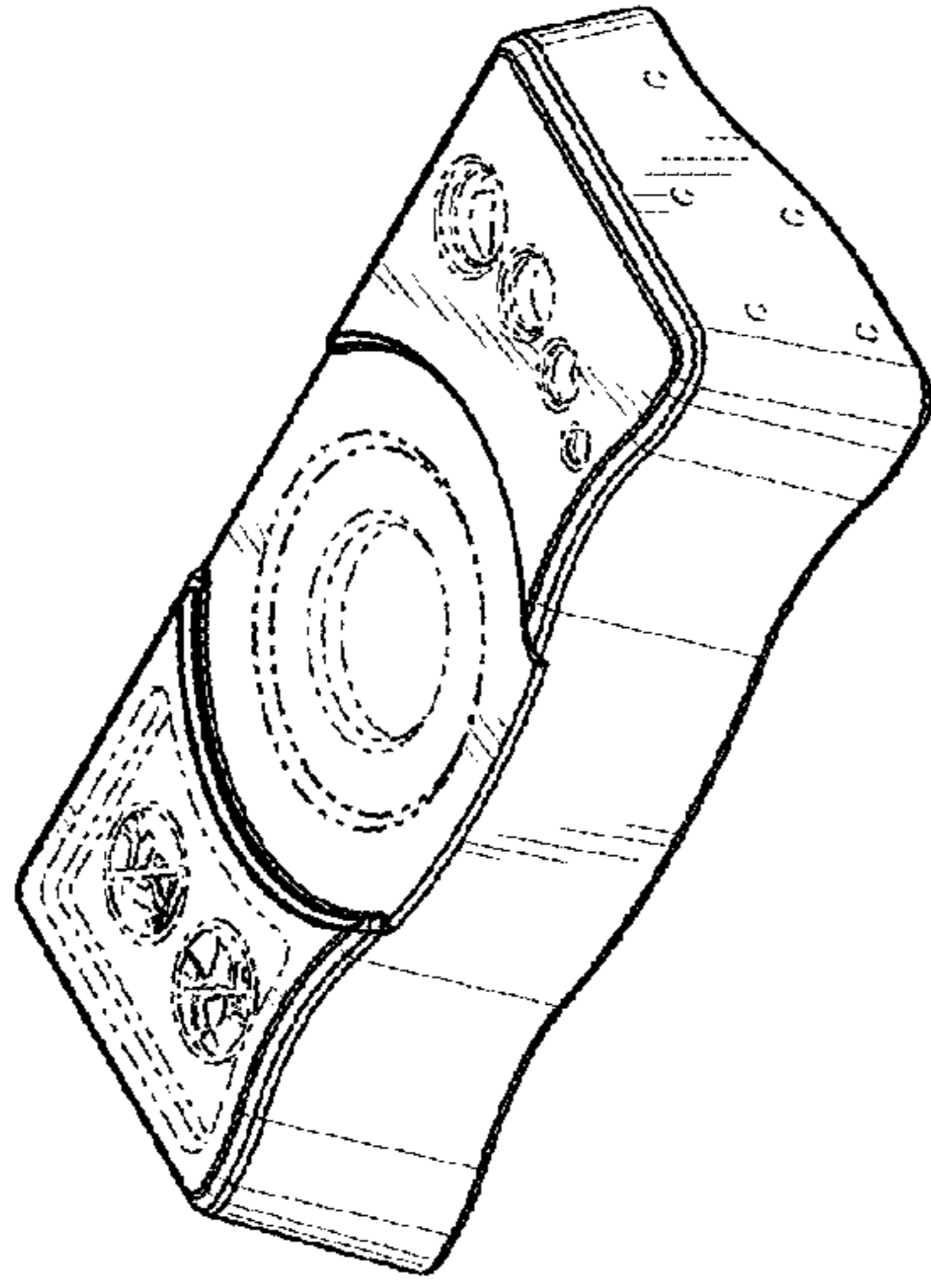


FIG. 1

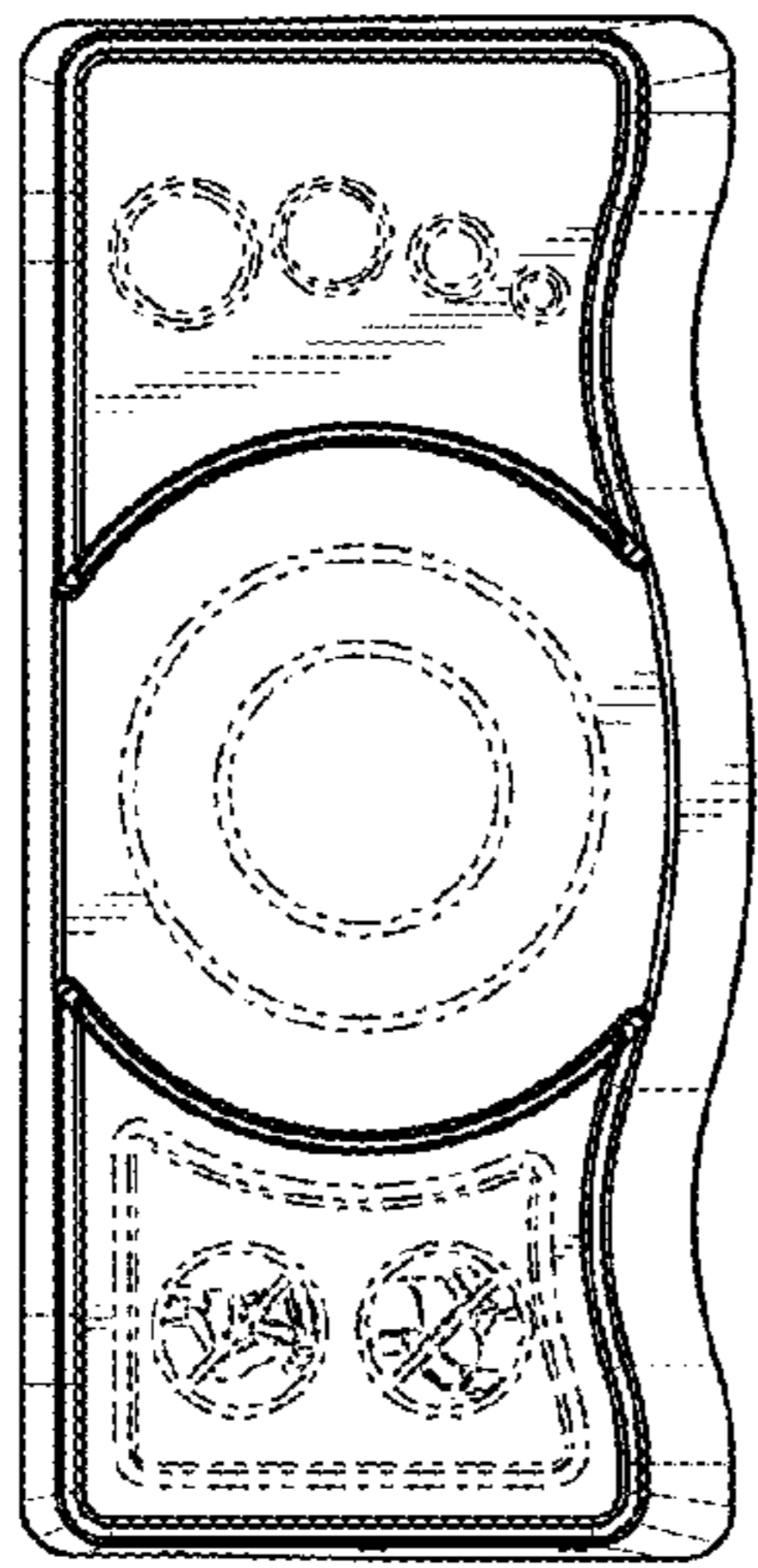


FIG. 2

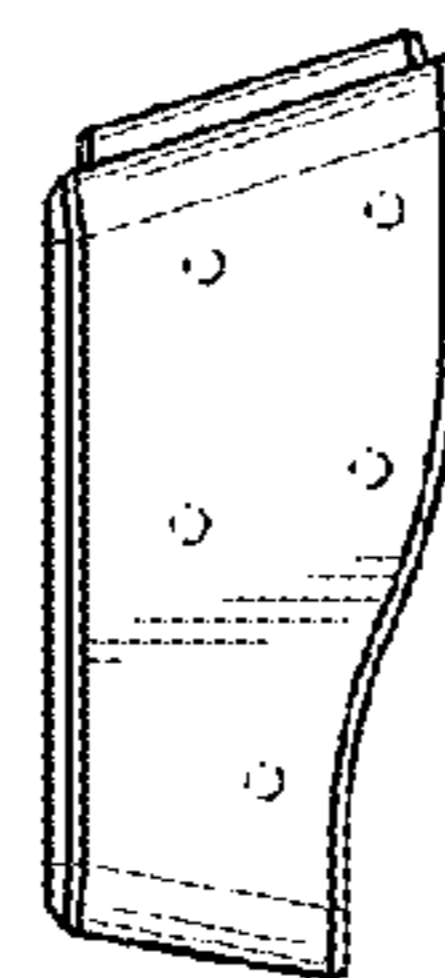


FIG. 3

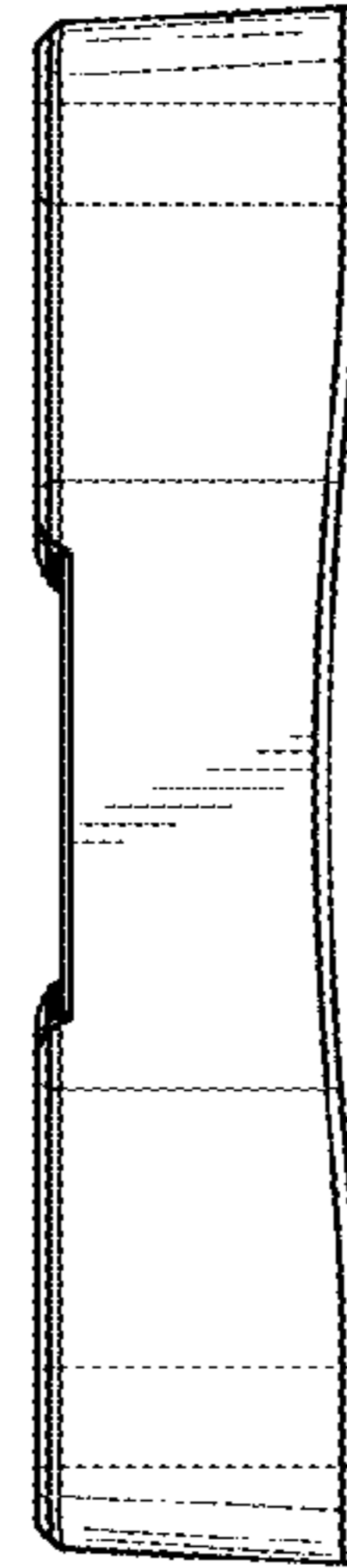


FIG. 4

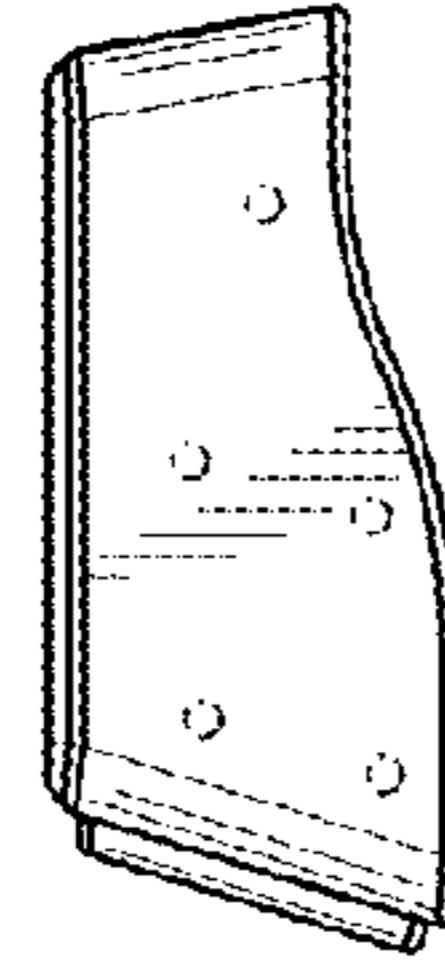


FIG. 5

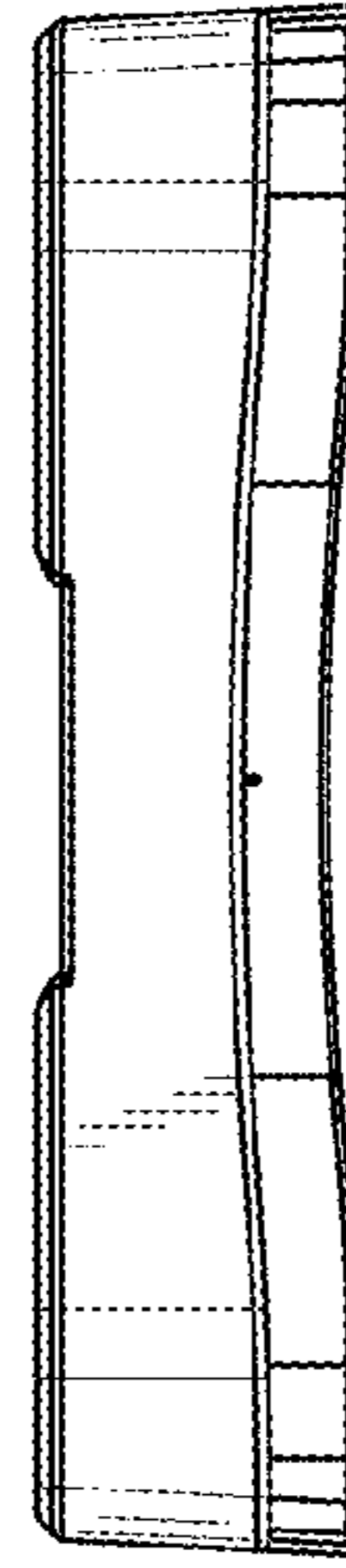


FIG. 6