



US00D813415S

(12) **United States Design Patent**  
**Drummond**

(10) **Patent No.:** **US D813,415 S**  
(45) **Date of Patent:** **\*\* Mar. 20, 2018**

- (54) **SAWHORSE COMPONENT**
- (71) Applicant: **Gregory Ross Drummond**, Charleston, SC (US)
- (72) Inventor: **Gregory Ross Drummond**, Charleston, SC (US)
- (\*\*) Term: **15 Years**
- (21) Appl. No.: **29/550,400**
- (22) Filed: **Jan. 4, 2016**
- (51) **LOC (11) Cl.** ..... **08-99**
- (52) **U.S. Cl.**  
USPC ..... **D25/67**
- (58) **Field of Classification Search**  
USPC ..... D25/62, 67, 68, 38, 58; 182/181.1, 182/186.3, 182.1, 154, 182.4, 186.1, 155, 182/153, 185.1, 224, 186.5, 152, 179.1, 182/184, 181, 185, 186, 183.1, 186.7, 182/178.1, 66.1, 182.2, 194, 67.4, 64.1, 182/101, 102, 106, 115, 112, 120, 121, 182/228.1, 228.2, 182, 225-227, 113; 248/163.2, 201, 166, 188.8, 228.1, 188, 248/163.1, 411, 431, 161, 200, 238, 248/218.4, 219.1; 269/901; D6/311-312; D8/349, 354, 380-382, 394, 373; 403/205, 373, 382, 402, 170, 217  
CPC ... B25H 1/06; B25H 1/04; B25H 1/08; B25H 1/10; B25H 3/00; B27B 17/0075  
See application file for complete search history.

- 3,666,047 A \* 5/1972 Adnerson ..... E04G 1/32 182/185.1
- 4,298,096 A \* 11/1981 Prior ..... B25H 1/06 182/153
- 5,101,932 A \* 4/1992 Trudgeon ..... B25H 1/06 182/129
- D349,165 S \* 7/1994 Jasmund ..... D25/68
- D423,686 S \* 4/2000 Swain ..... D25/68
- 6,755,282 B1 \* 6/2004 Herold ..... B25H 1/06 182/181.1
- D641,892 S \* 7/2011 Schoettle ..... D25/67

\* cited by examiner

*Primary Examiner* — Cynthia Ramirez

*Assistant Examiner* — Gino Colan

(74) *Attorney, Agent, or Firm* — Withers & Keys, LLC

(57) **CLAIM**

The ornamental design for a sawhorse component, as shown and described.

**DESCRIPTION**

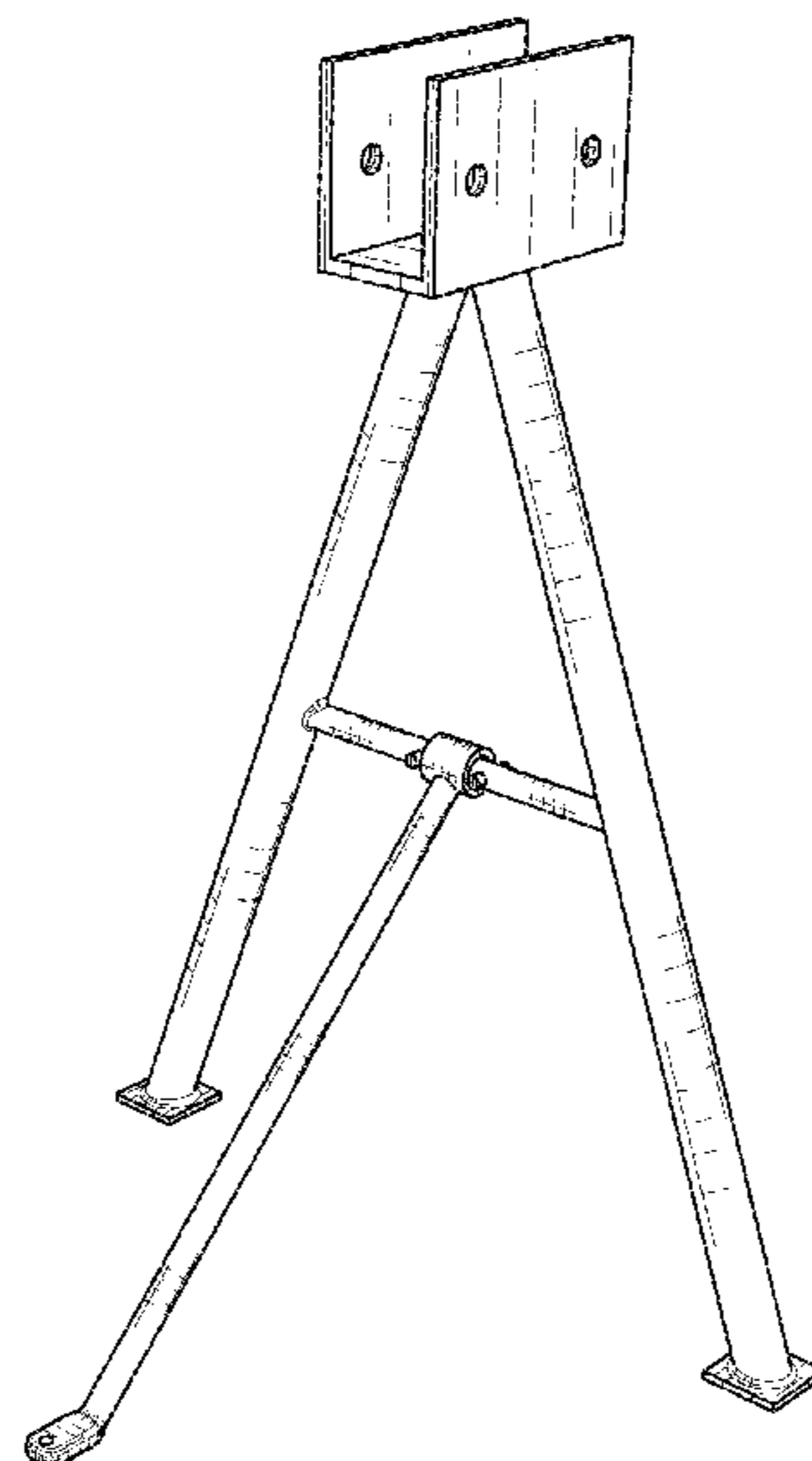
FIG. 1 is a perspective view of a sawhorse component showing my new design;  
 FIG. 2 is a rear elevation view thereof;  
 FIG. 3 is a frontal elevation view thereof;  
 FIG. 4 is a left side elevation view thereof;  
 FIG. 5 is a right side elevation view thereof;  
 FIG. 6 is a top plan view thereof;  
 FIG. 7 is a bottom plan view thereof;  
 FIG. 8 is a perspective view thereof, shown in a folded position; and,  
 FIG. 9 is a perspective view thereof, shown in a “use” configuration.  
 The broken lines showing a sawhorse and a beam in FIG. 9 are included for the purpose of illustrating environment and form no part of the claimed design.

(56) **References Cited**

**U.S. PATENT DOCUMENTS**

- D199,330 S \* 10/1964 Gilmour ..... 182/224
- D213,254 S \* 1/1969 Hollingsworth ..... D25/67
- 3,637,045 A \* 1/1972 Poffenbaugh ..... E04G 1/34 182/155

**1 Claim, 9 Drawing Sheets**



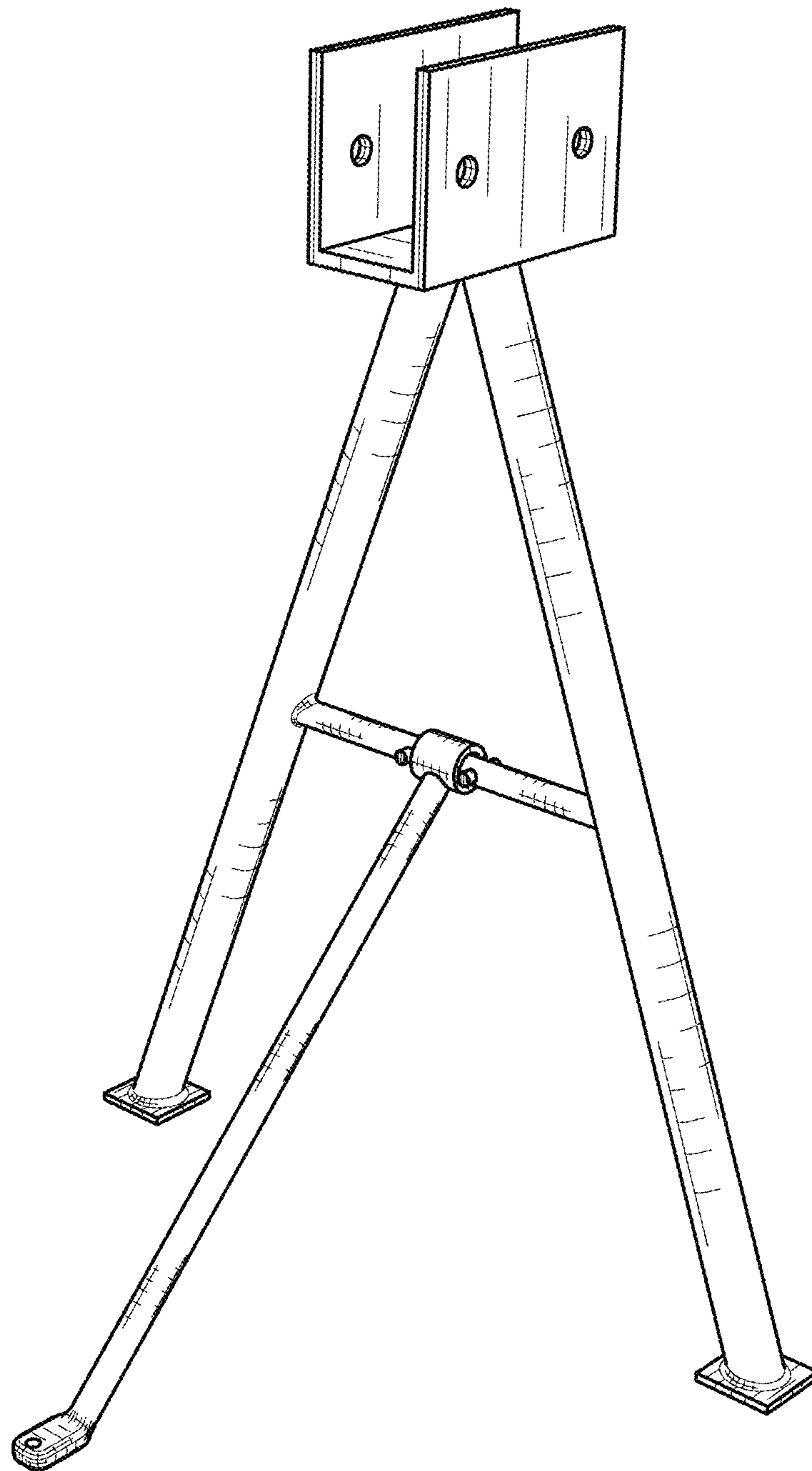


FIG. 1

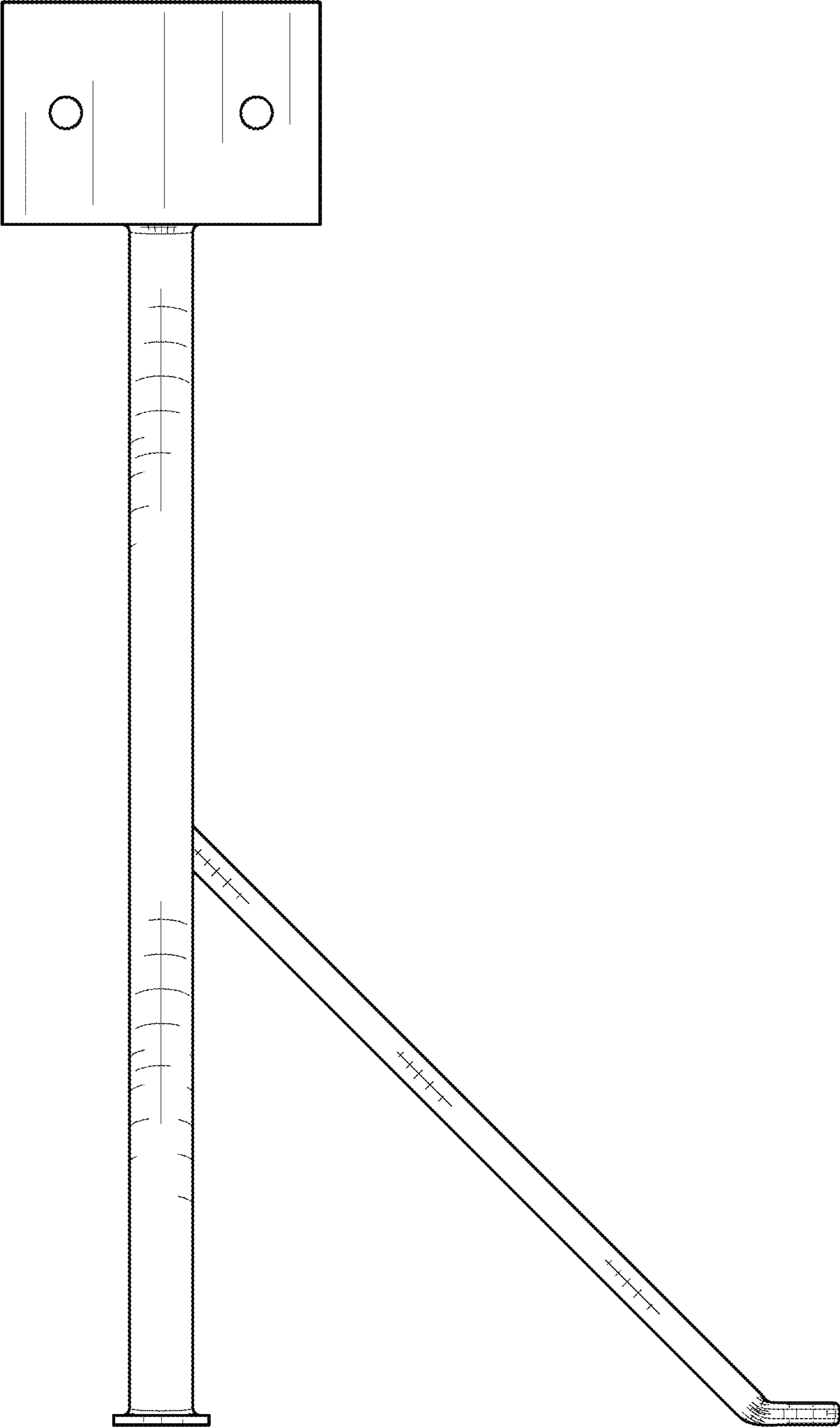


FIG. 2

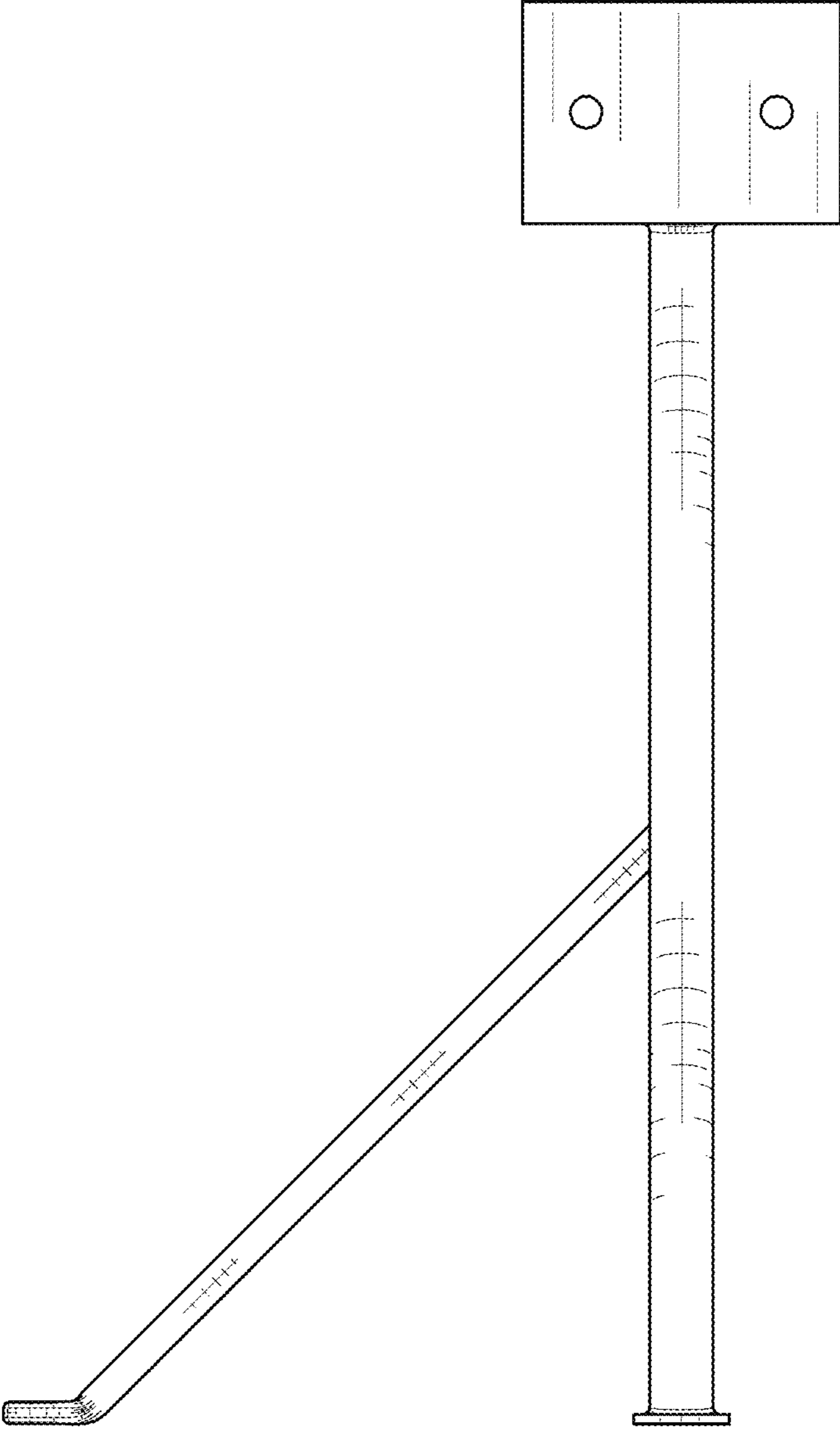


FIG. 3

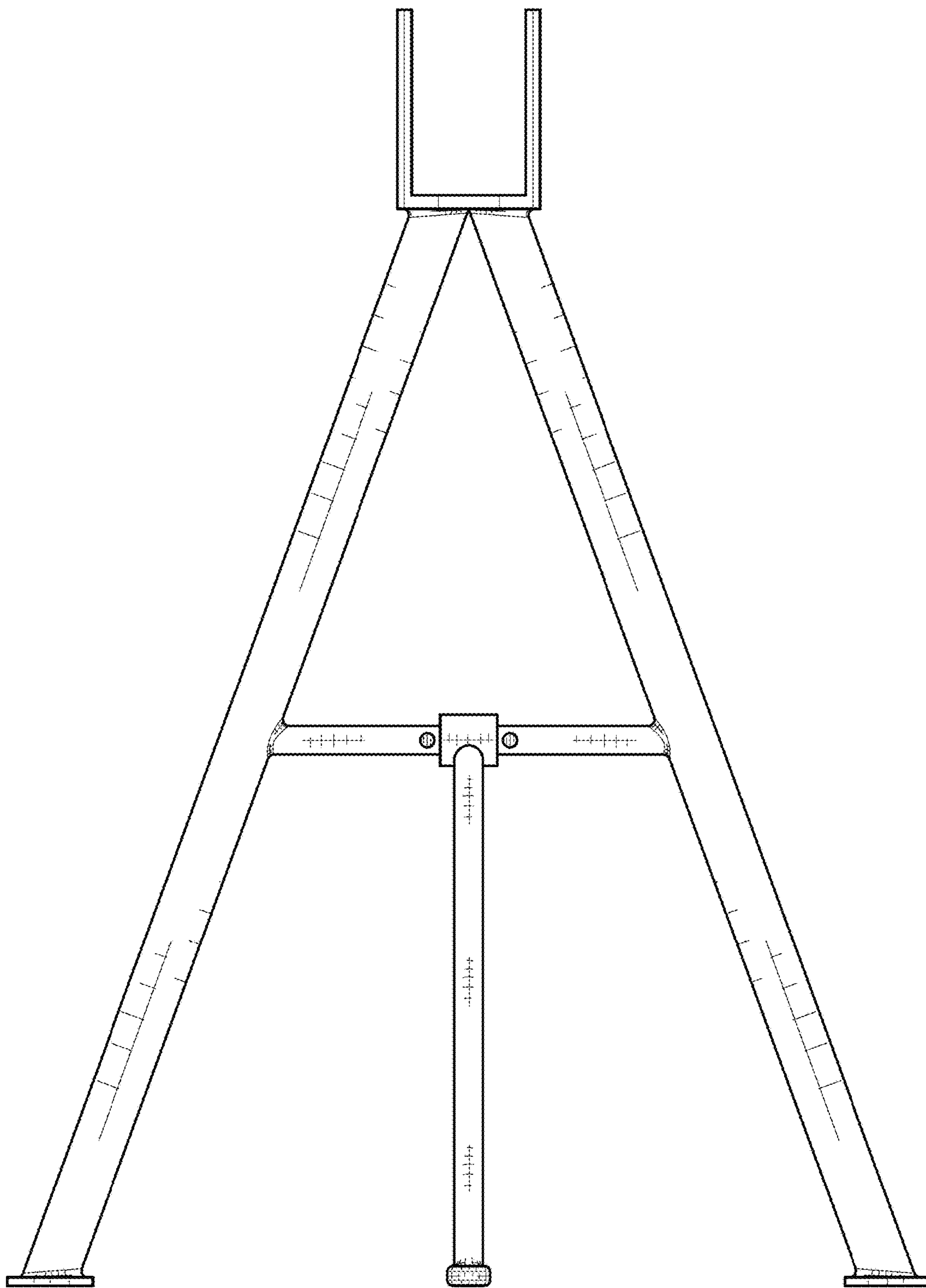


FIG. 4

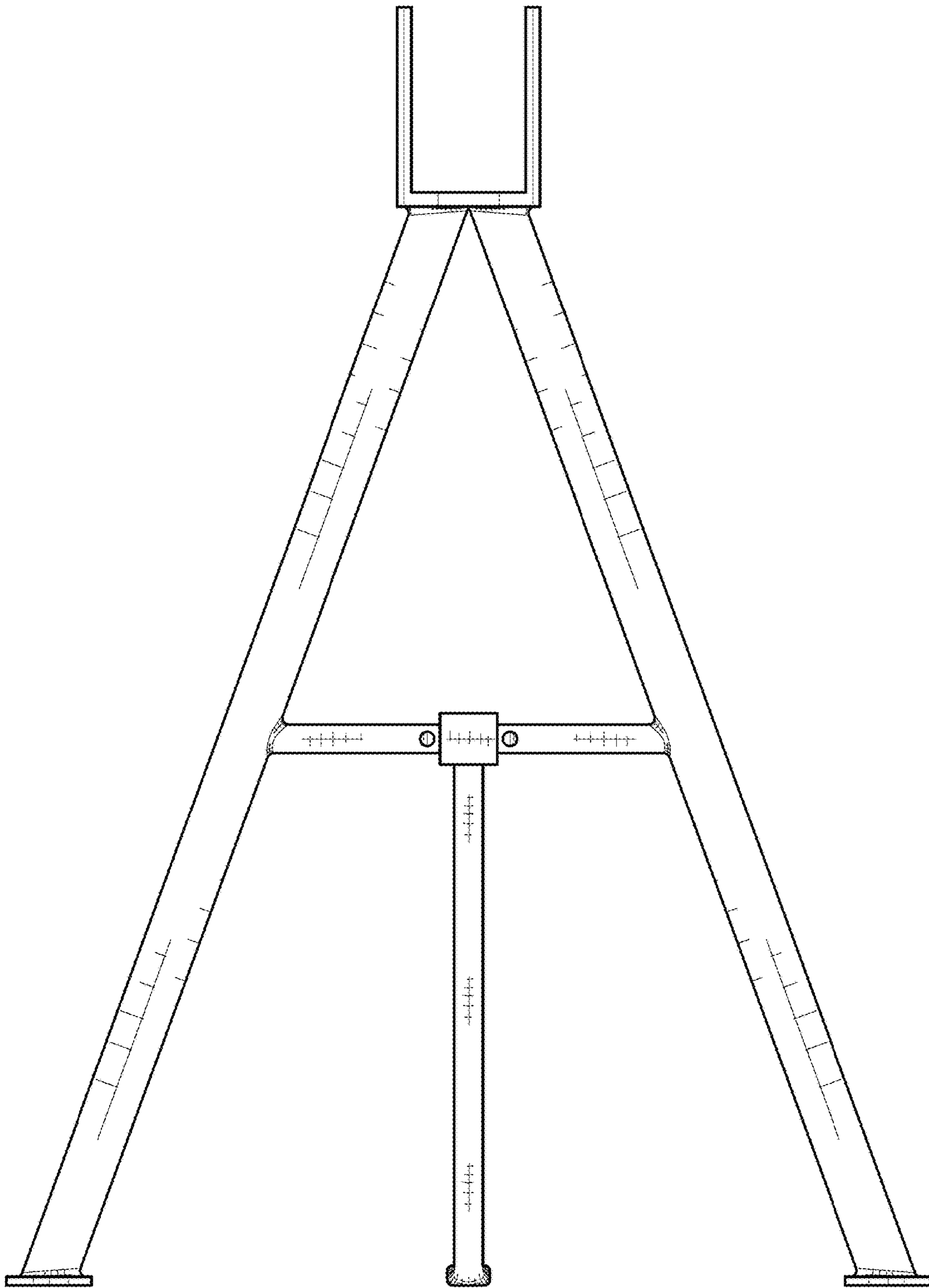


FIG. 5

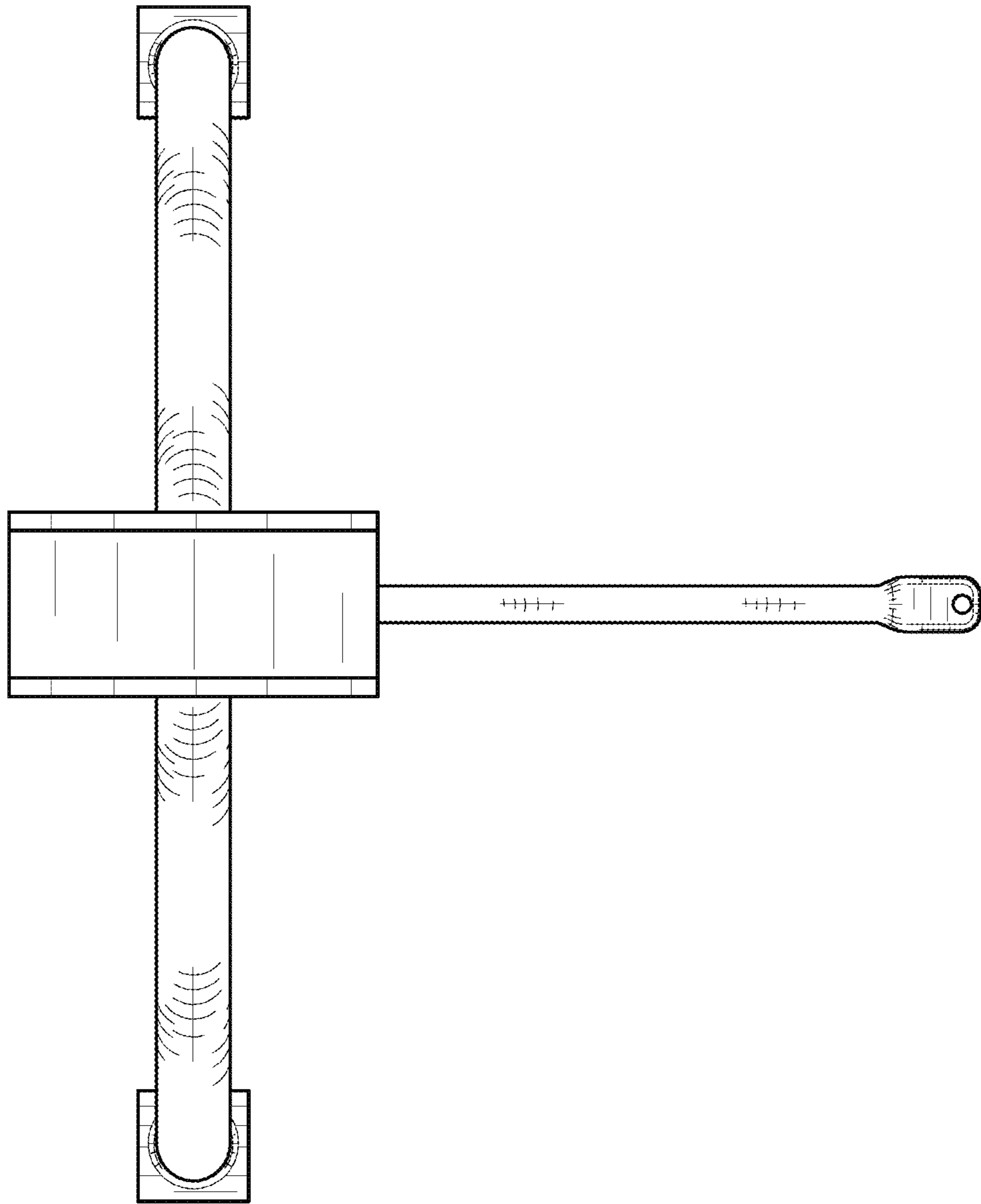


FIG. 6

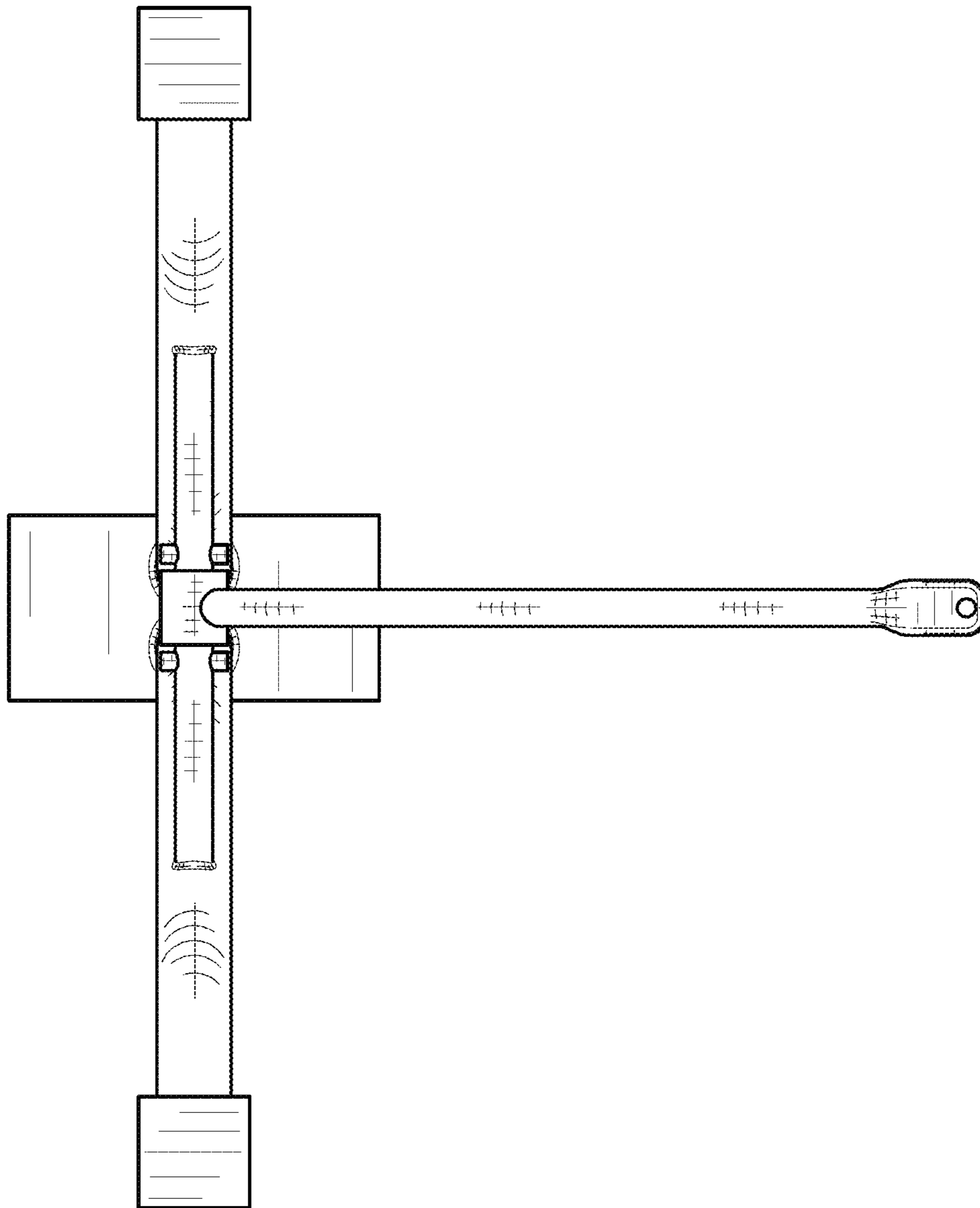


FIG. 7



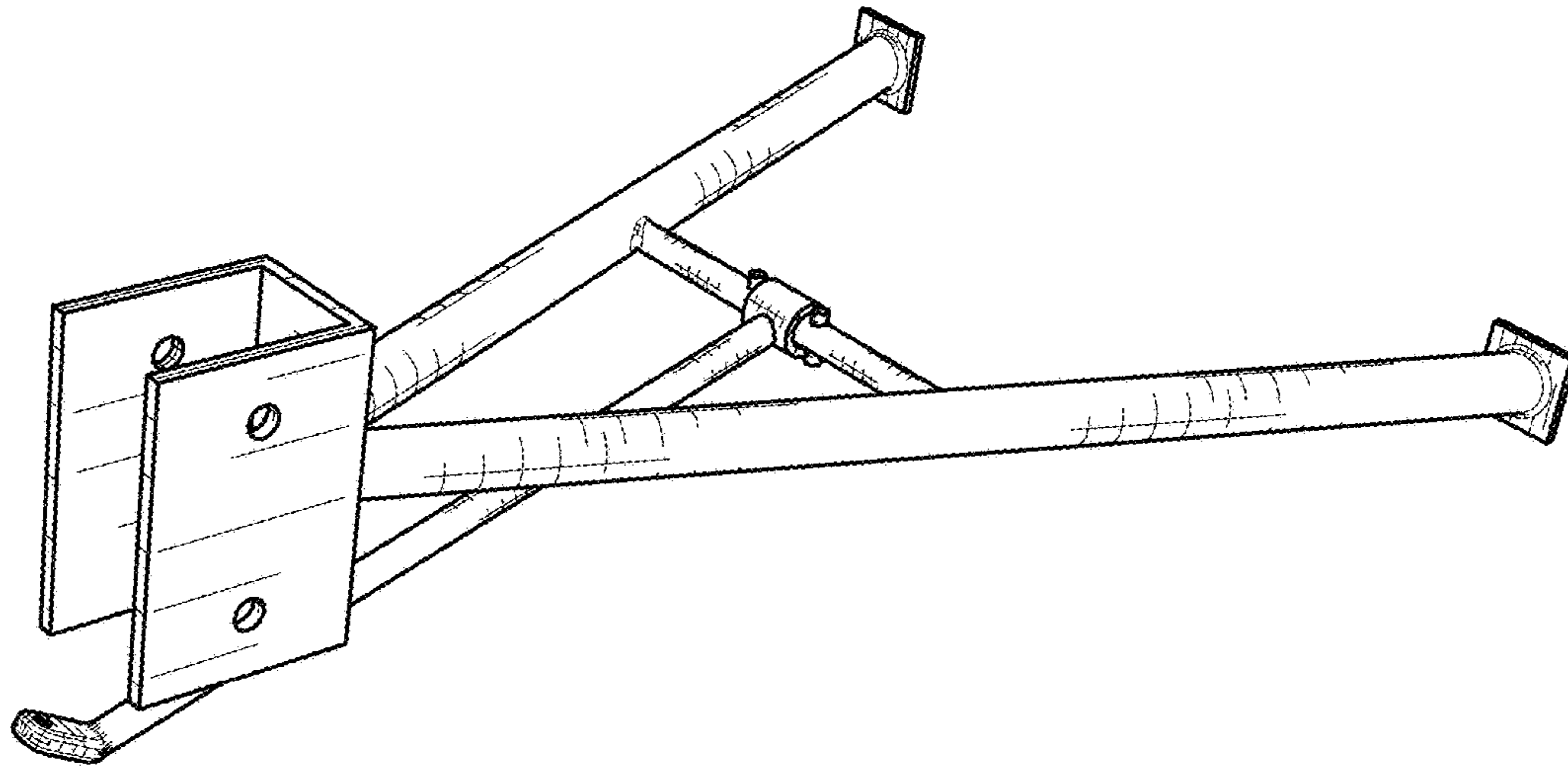


FIG. 8

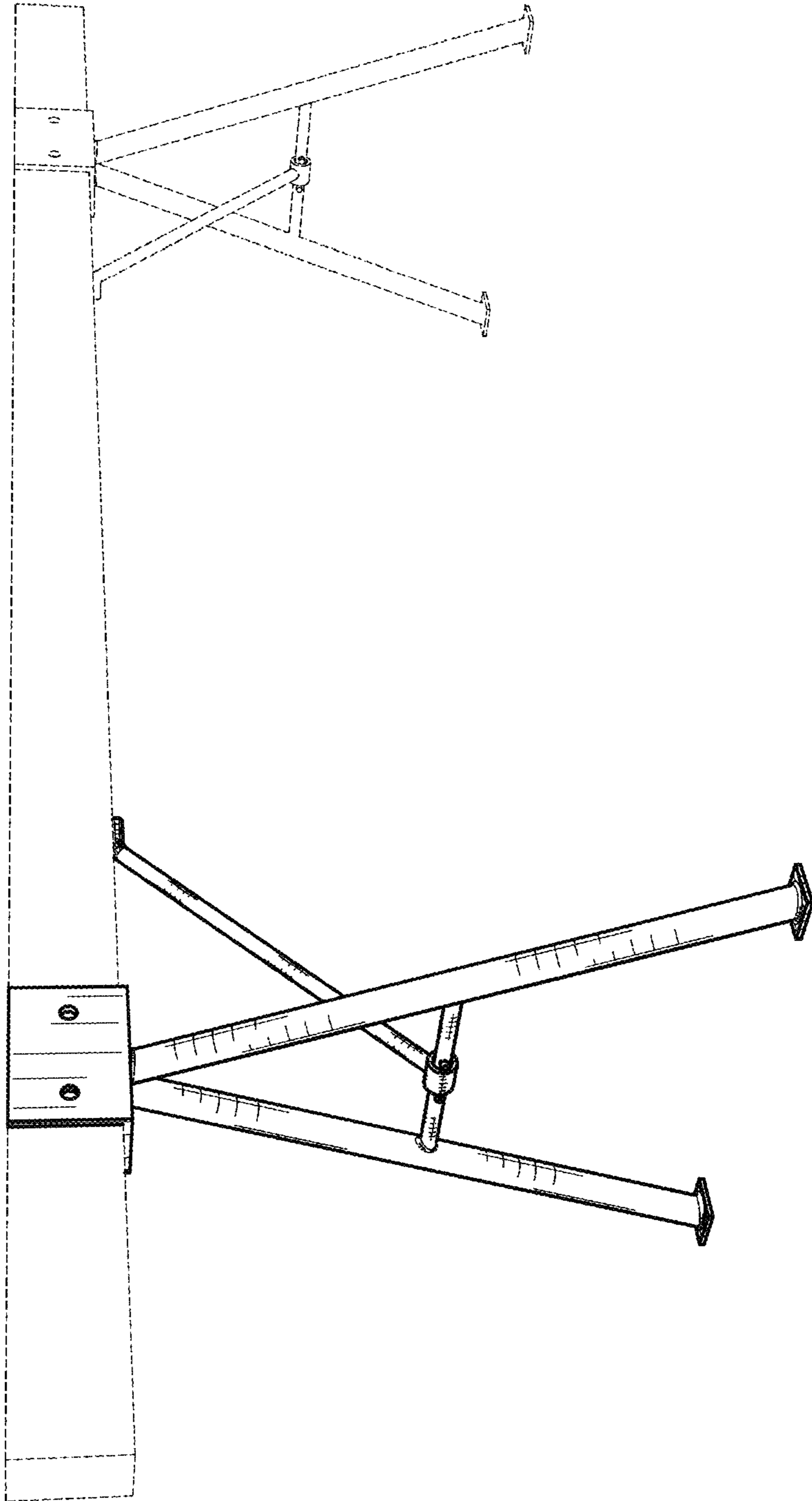


FIG. 9