



US00D813412S

(12) **United States Design Patent**
Gouge et al.

(10) **Patent No.:** **US D813,412 S**
(45) **Date of Patent:** **** Mar. 20, 2018**

(54) **DOOR**

(71) Applicant: **Masonite Corporation**, Tampa, FL
(US)

(72) Inventors: **Timothy D. Gouge**, Elgin, IL (US);
Robert C. Allen, Elburn, IL (US);
Jason M. Walsh, Batavia, IL (US);
Mark Albrighton, Wesley Chapel, FL
(US)

(73) Assignee: **Masonite Corporation**, Tampa, FL
(US)

(**) Term: **15 Years**

(21) Appl. No.: **29/605,707**

(22) Filed: **May 30, 2017**

Related U.S. Application Data

(62) Division of application No. 29/529,342, filed on Jun. 5, 2015, now Pat. No. Des. 788,322.

(51) **LOC (11) Cl.** **25-02**

(52) **U.S. Cl.**
USPC **D25/48.3**

(58) **Field of Classification Search**
USPC D25/48.3, 48.4, 48.5, 48.6, 48.7, 48.8,
D25/138

(Continued)

(56) **References Cited**

U.S. PATENT DOCUMENTS

432,504 A * 7/1890 Amsden E06B 3/5892
52/455
926,361 A * 6/1909 Sjobring E06B 3/5892
52/455

(Continued)

Primary Examiner — Susan Bennett Hattan

Assistant Examiner — Leanne Was-Englehart

(74) *Attorney, Agent, or Firm* — Berenato & White, LLC

(57) **CLAIM**

The ornamental design for a door, as shown and described.

DESCRIPTION

FIG. 1 is a front perspective view of our design;
FIG. 2 is a front elevational view;
FIG. 3 is a rear elevational view;
FIG. 4 is an enlarged view of the encircled portion of FIG. 1;
FIG. 5 is a top plan view;
FIG. 6 is a bottom plan view;
FIG. 7 is a cross sectional view taken along line 7-7 in FIG. 2;
FIG. 8 is a cross sectional view taken along line 8-8 in FIG. 2;
FIG. 9 is an enlarged fragmentary cross sectional view of the encircled portion of FIG. 7;
FIG. 10 is an enlarged fragmentary cross sectional view of the encircled portion of FIG. 8;
FIG. 11 is a right side elevational view;
FIG. 12 is a left elevational view;
FIG. 13 is a cross sectional view taken along line 13-13 in FIG. 2;
FIG. 14 is an enlarged fragmentary cross sectional view of the encircled portion of FIG. 13;
FIG. 15 is an enlarged fragmentary cross sectional view of the encircled portion of FIG. 13;
FIG. 16 is a front perspective view of a second version of our design;
FIG. 17 is a front elevational view;
FIG. 18 is a rear elevational view;
FIG. 19 is an enlarged view of the encircled portion of FIG. 16;
FIG. 20 is a top plan view;
FIG. 21 is a bottom plan view;
FIG. 22 is a cross sectional view taken along line 22-22 in FIG. 17;
FIG. 23 is a cross sectional view taken along line 23-23 in FIG. 17;
FIG. 24 is an enlarged fragmentary cross sectional view of the encircled portion of FIG. 22;

(Continued)

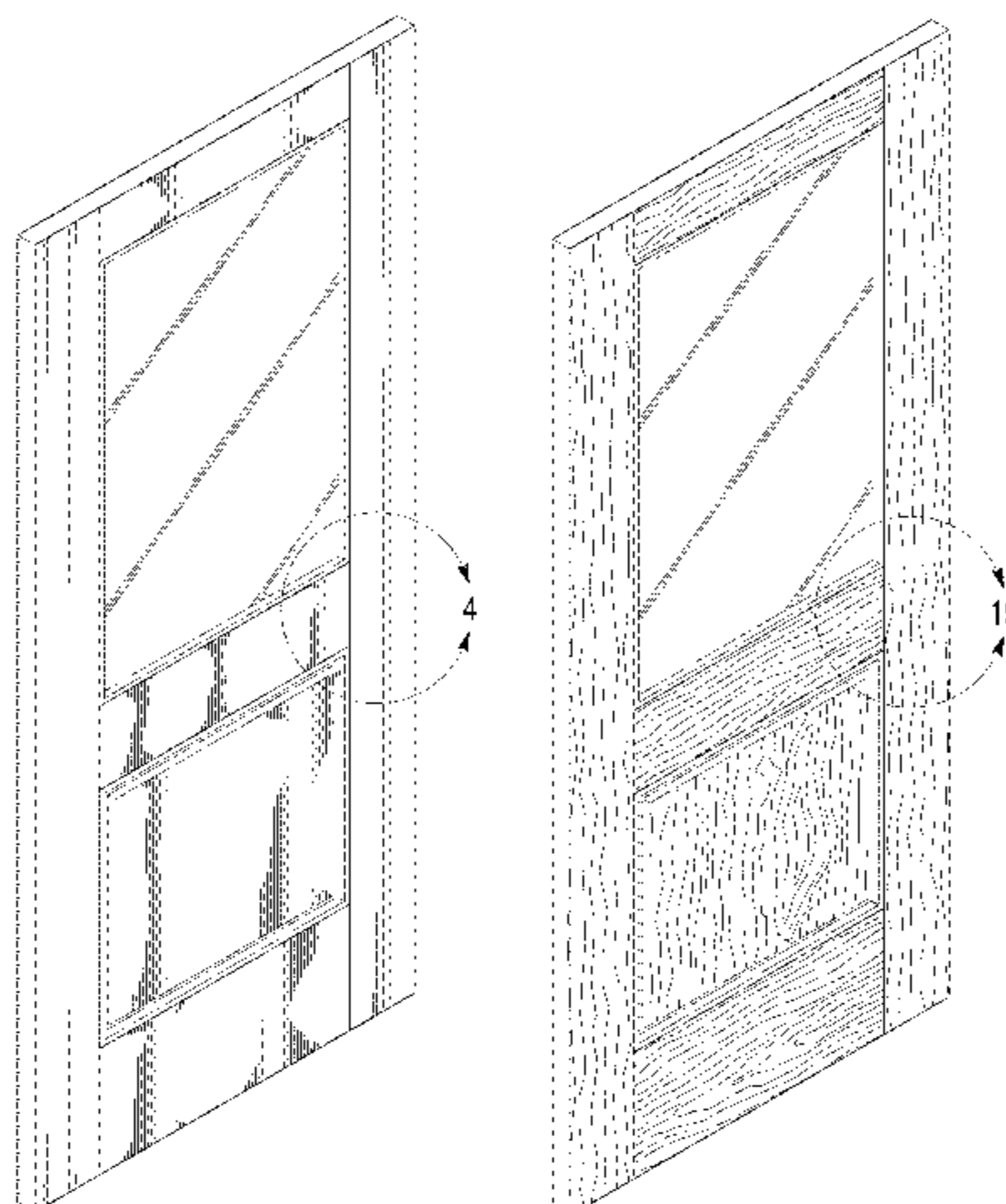


FIG. 25 is enlarged fragmentary cross sectional view of the encircled portion of FIG. 23;
 FIG. 26 is a right side elevational view;
 FIG. 27 is a left elevational view;
 FIG. 28 is a cross sectional view taken along line 28-28 in FIG. 17;
 FIG. 29 is an enlarged fragmentary cross sectional view of the encircled portion of FIG. 28; and,
 FIG. 30 is an enlarged fragmentary cross sectional view of the encircled portion of FIG. 28.
 The dash-dot-dot-dash broken lines in the figures depict the limits of the enlarged view and form no part of the claimed design.

1 Claim, 16 Drawing Sheets

(58) **Field of Classification Search**

CPC ... E06B 3/72; E06B 3/78; E06B 3/485; E06B 3/4636; E06B 2003/7044; E06B 1/04; E06B 5/00

See application file for complete search history.

(56) **References Cited**

U.S. PATENT DOCUMENTS

956,556 A * 5/1910 Wege E06B 3/5892
 5/280

985,912 A *	3/1911	Lindros	E06B 3/5892 52/455
986,013 A *	3/1911	Klemm	E06B 3/728 52/455
988,574 A *	4/1911	Jones	E06B 3/5892 52/455
1,021,053 A *	3/1912	Lempera	E06B 3/5892 52/455
1,086,934 A *	2/1914	Parish	E06B 3/5892 52/455
1,094,025 A *	4/1914	Scott	E04B 1/0046 52/455
1,391,949 A *	9/1921	Gogay	E06B 3/5892 52/455
1,466,650 A *	8/1923	Peterson	E06B 3/728 52/455
D529,188 S	9/2006	Walsh et al.	
D566,293 S	4/2008	Walsh et al.	
D593,212 S	5/2009	Walsh et al.	
D608,904 S	1/2010	Walsh et al.	
D660,979 S	5/2012	Walsh	
D665,099 S	8/2012	Paxton	
D736,409 S	8/2015	Gouge et al.	
D756,534 S *	5/2016	Allen	D25/48.3
D788,322 S *	5/2017	Gouge	D25/48.3
D797,310 S *	9/2017	Gouge	D25/48.3
D797,954 S *	9/2017	Allen	D25/48.3

* cited by examiner

FIG. 1

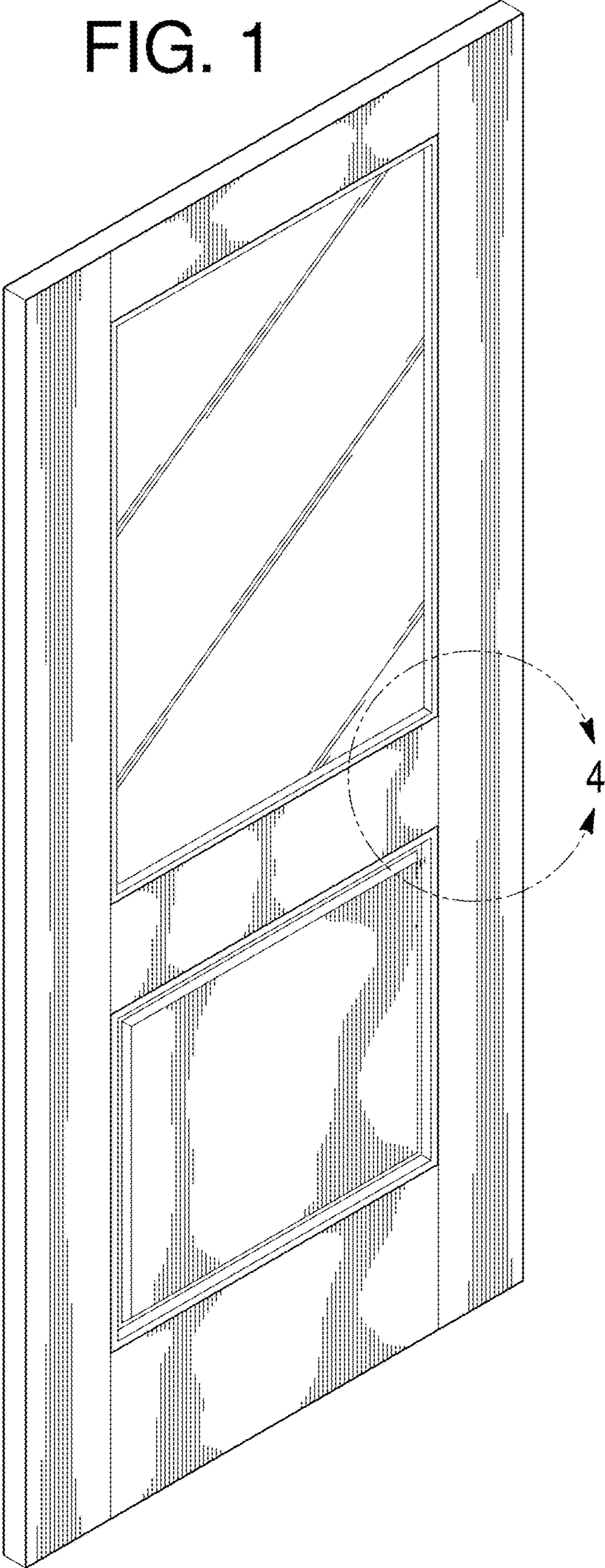


FIG. 2

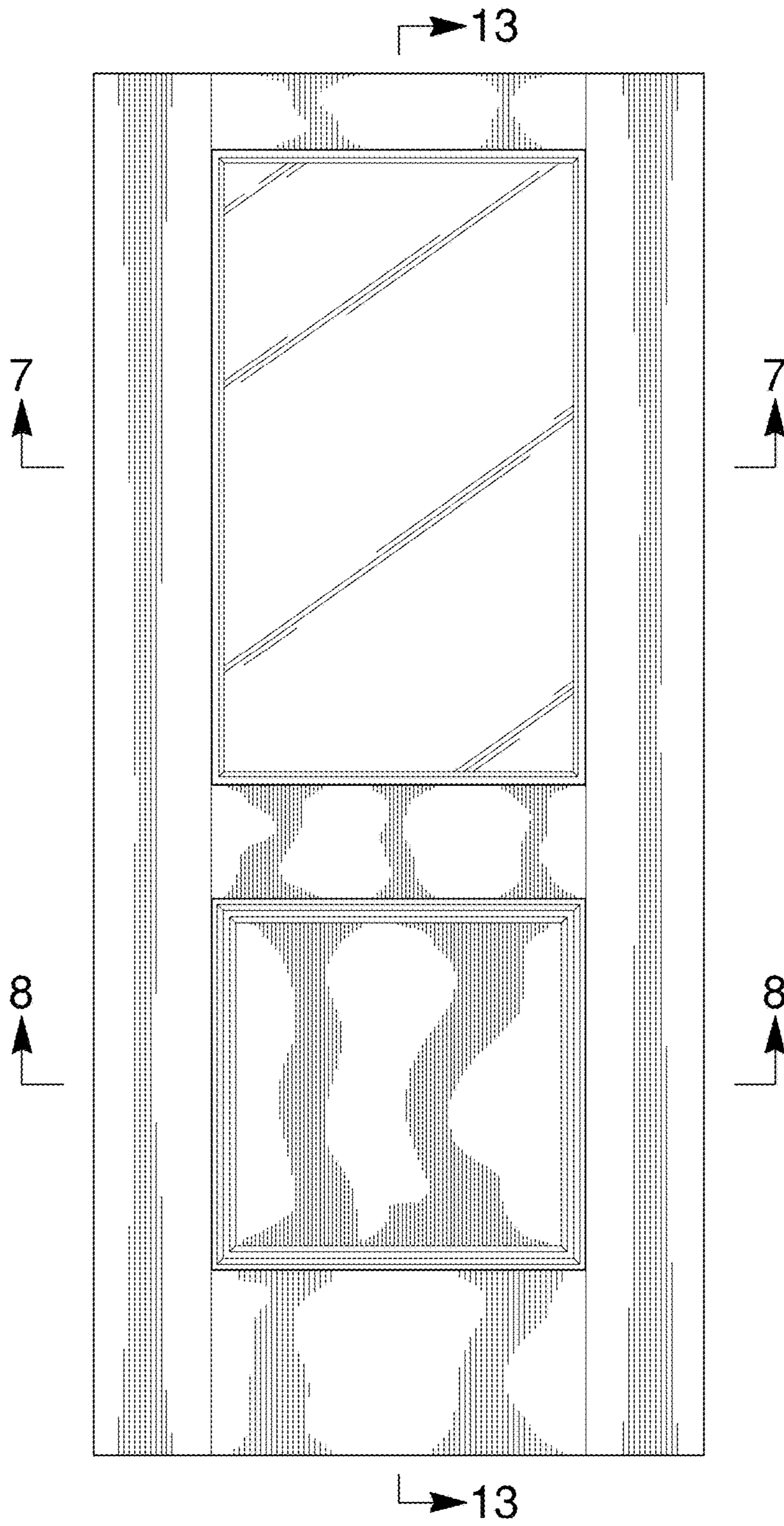


FIG. 3

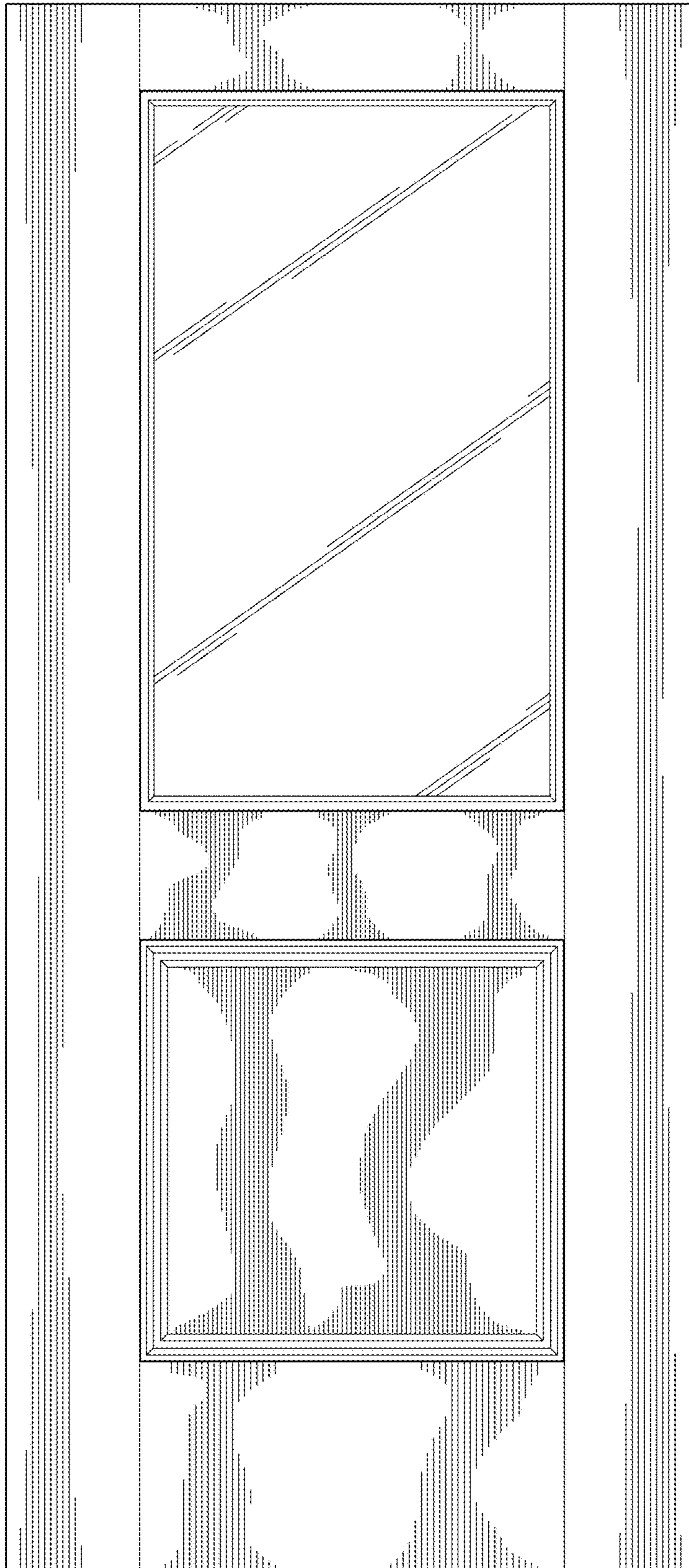


FIG. 4

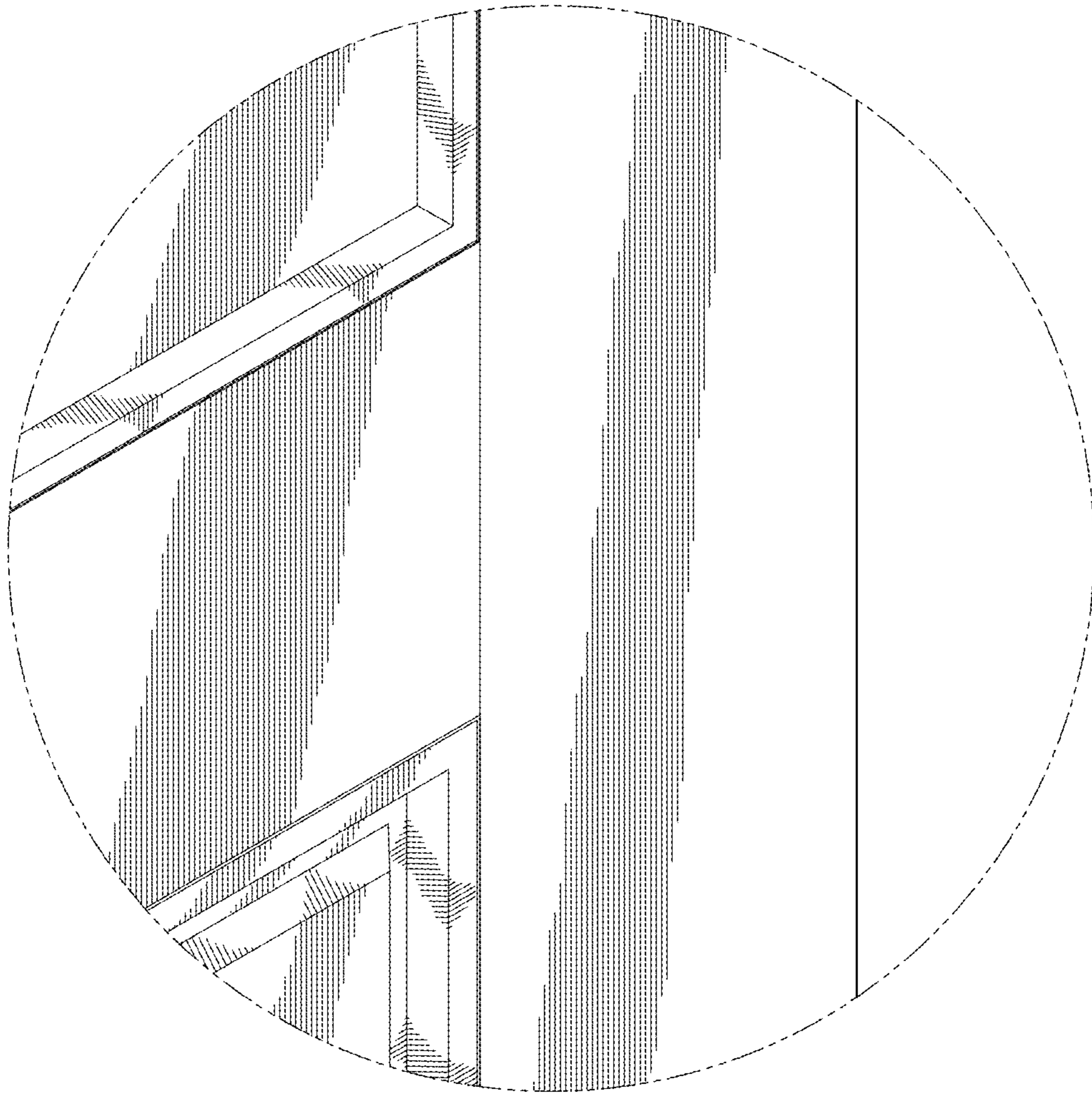


FIG. 5



FIG. 6

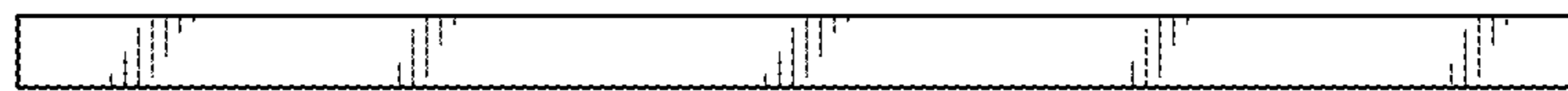


FIG. 7

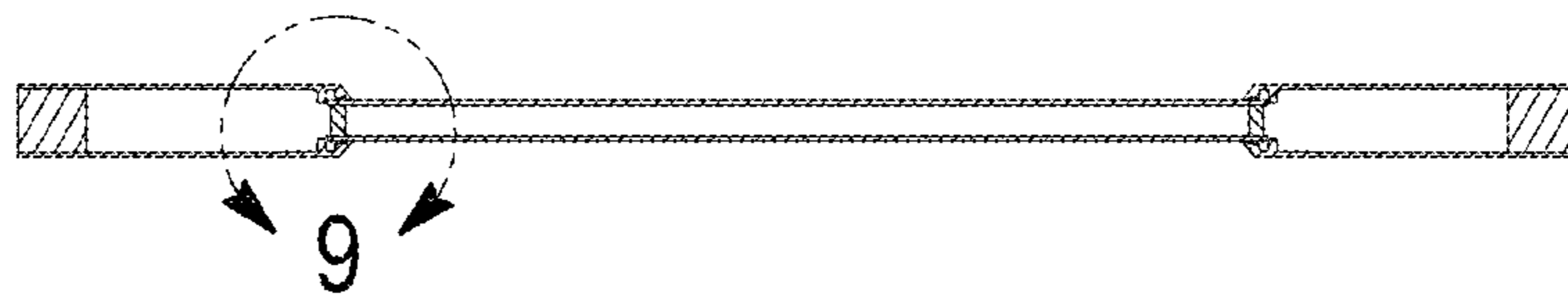
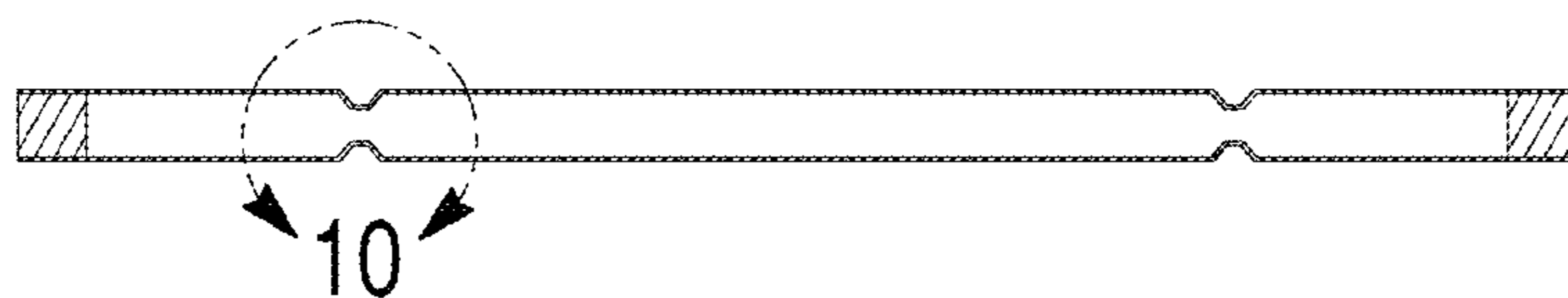


FIG. 8



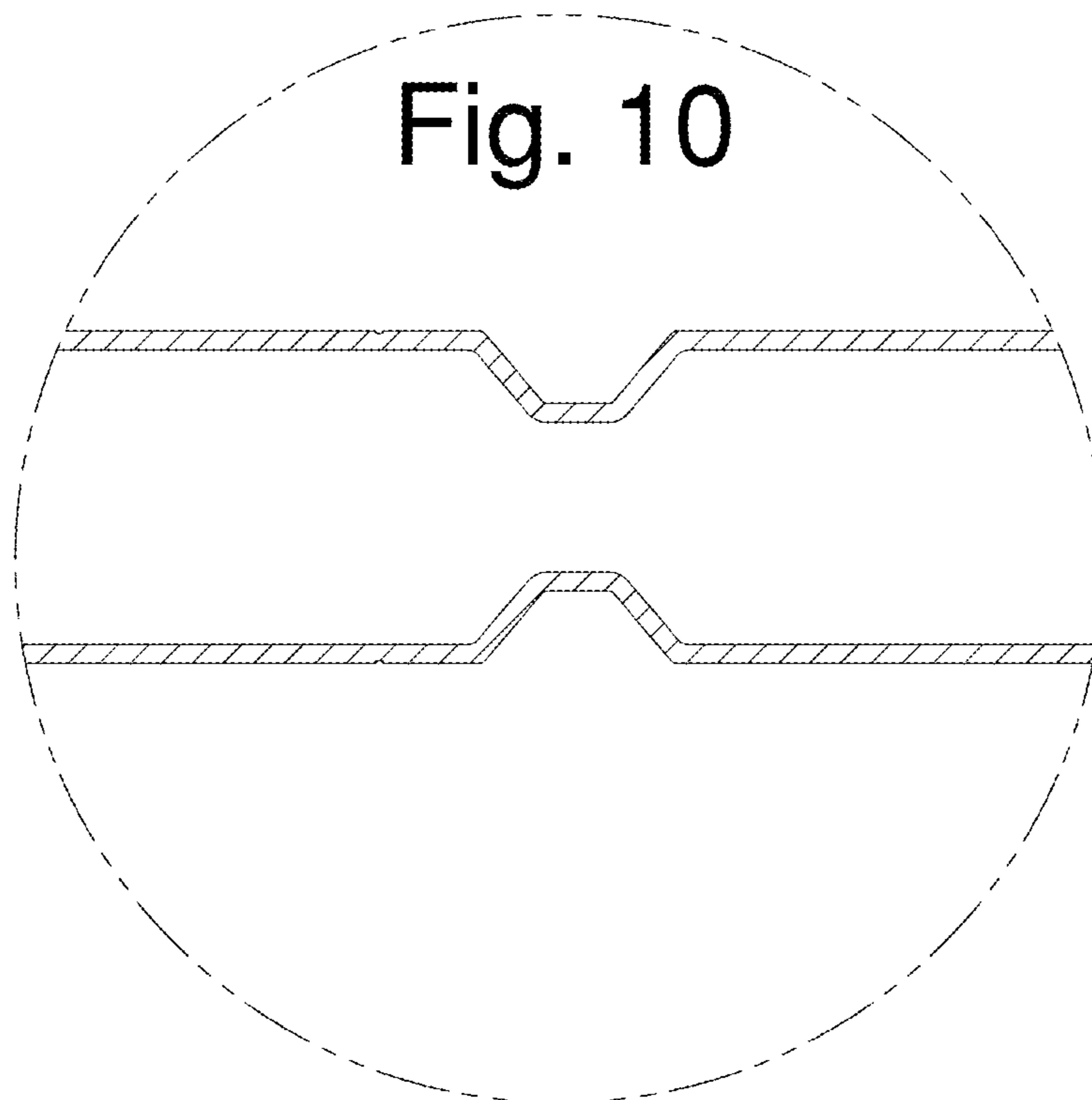
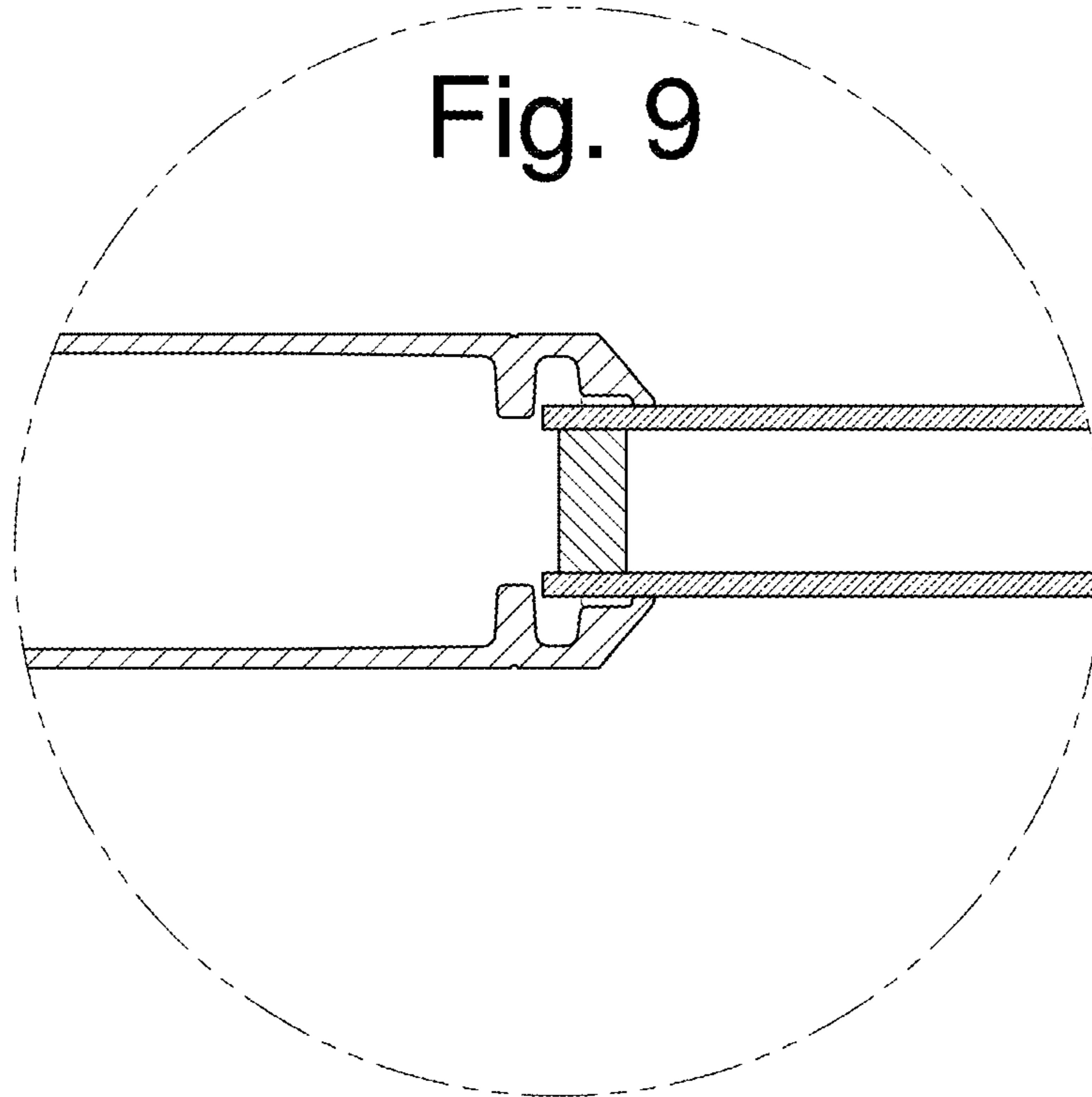


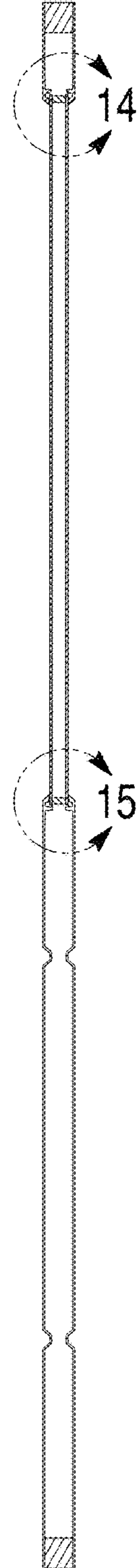
FIG. 11



FIG. 12



FIG. 13



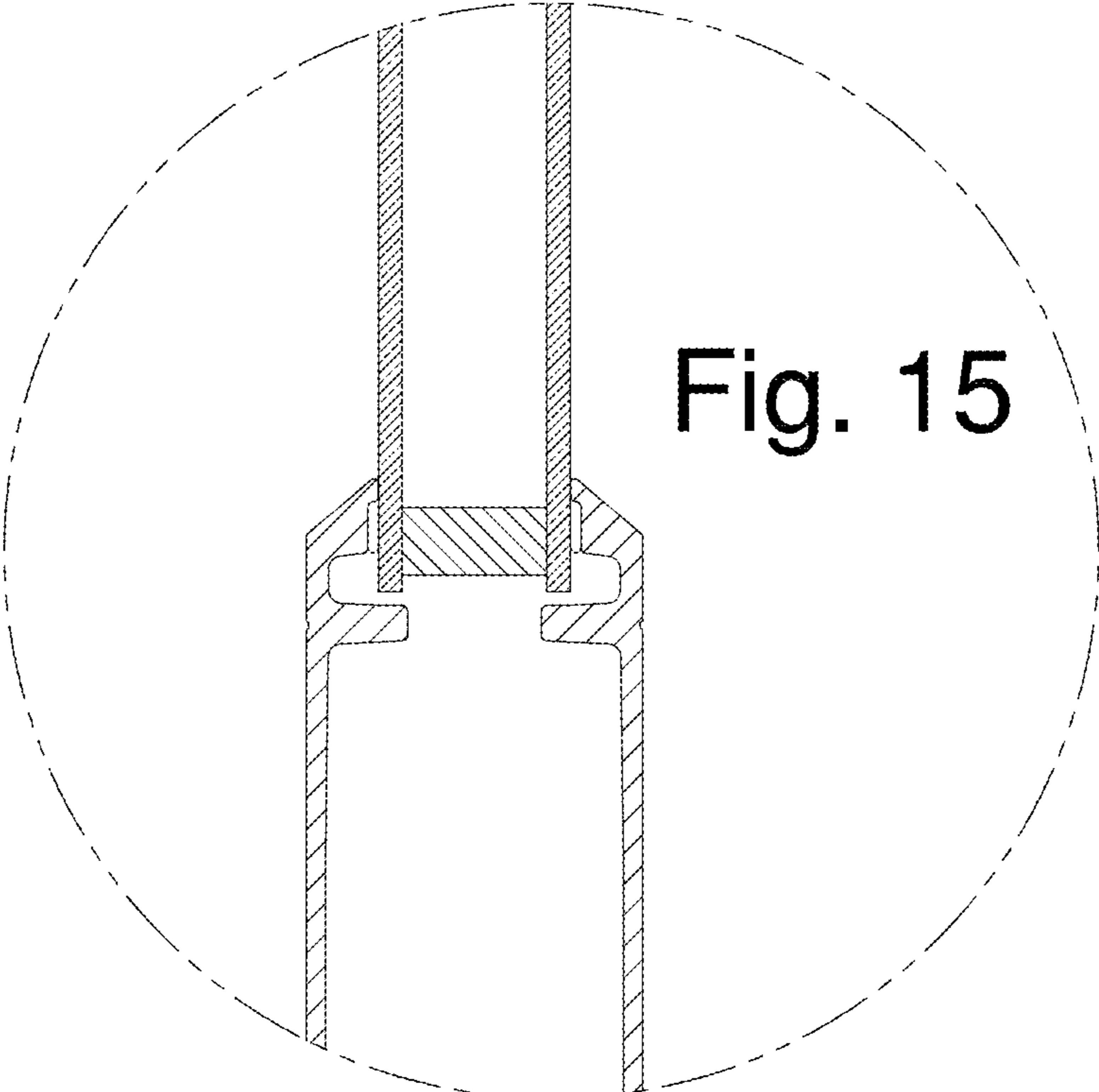
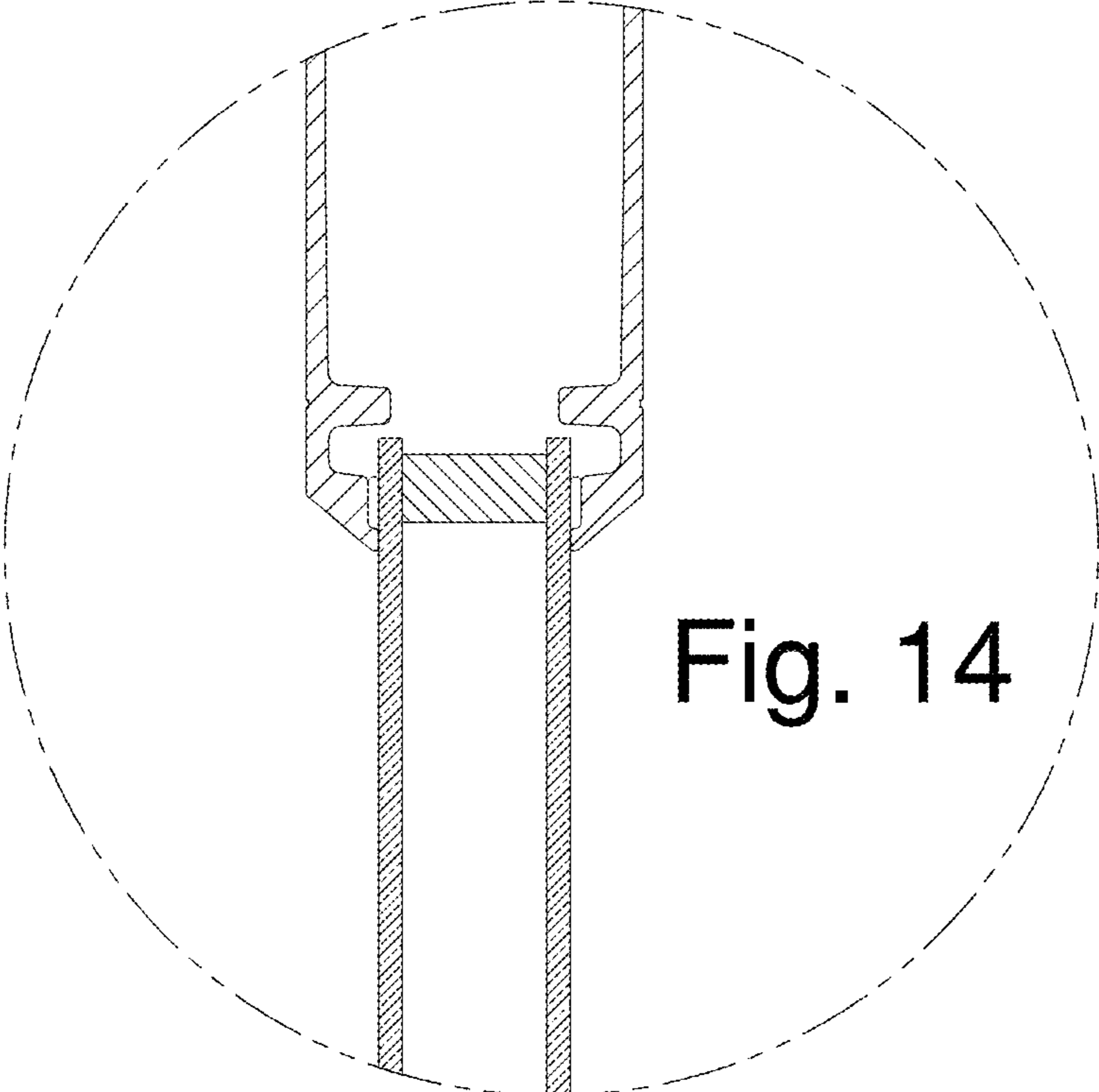


FIG. 16

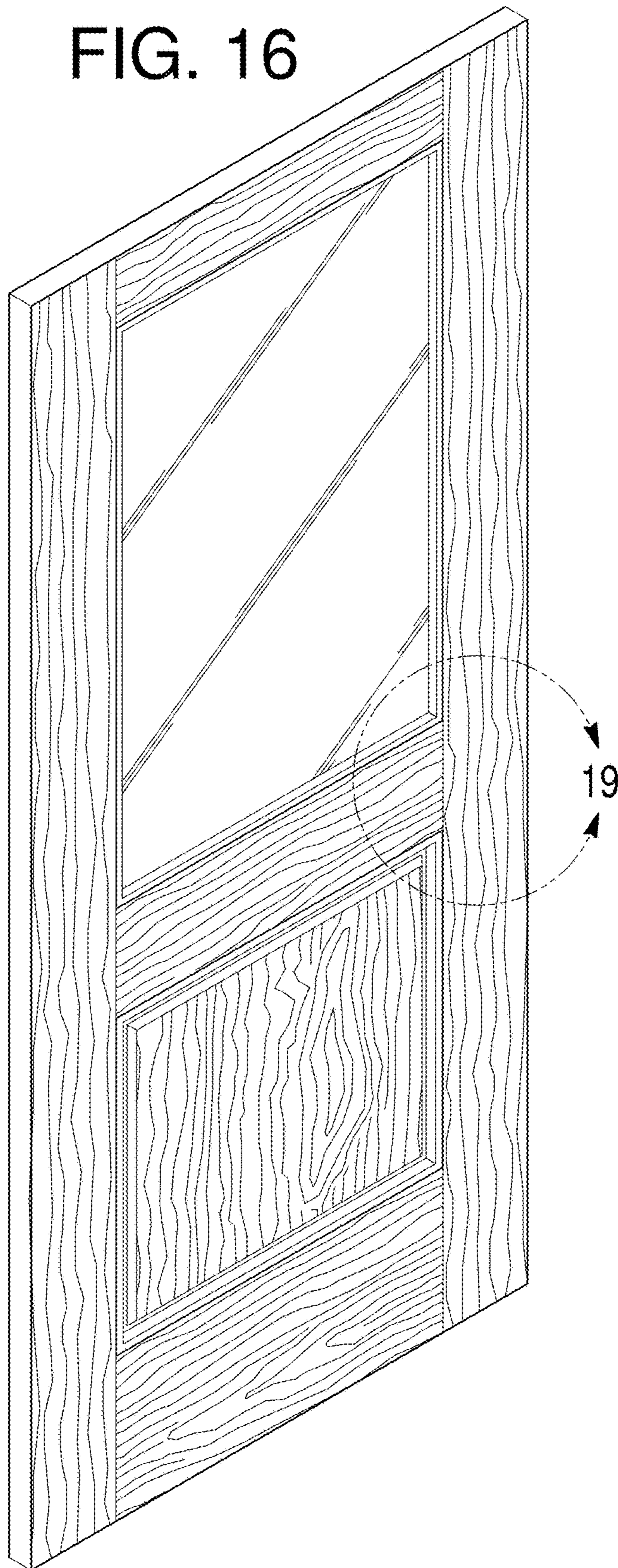


FIG. 17

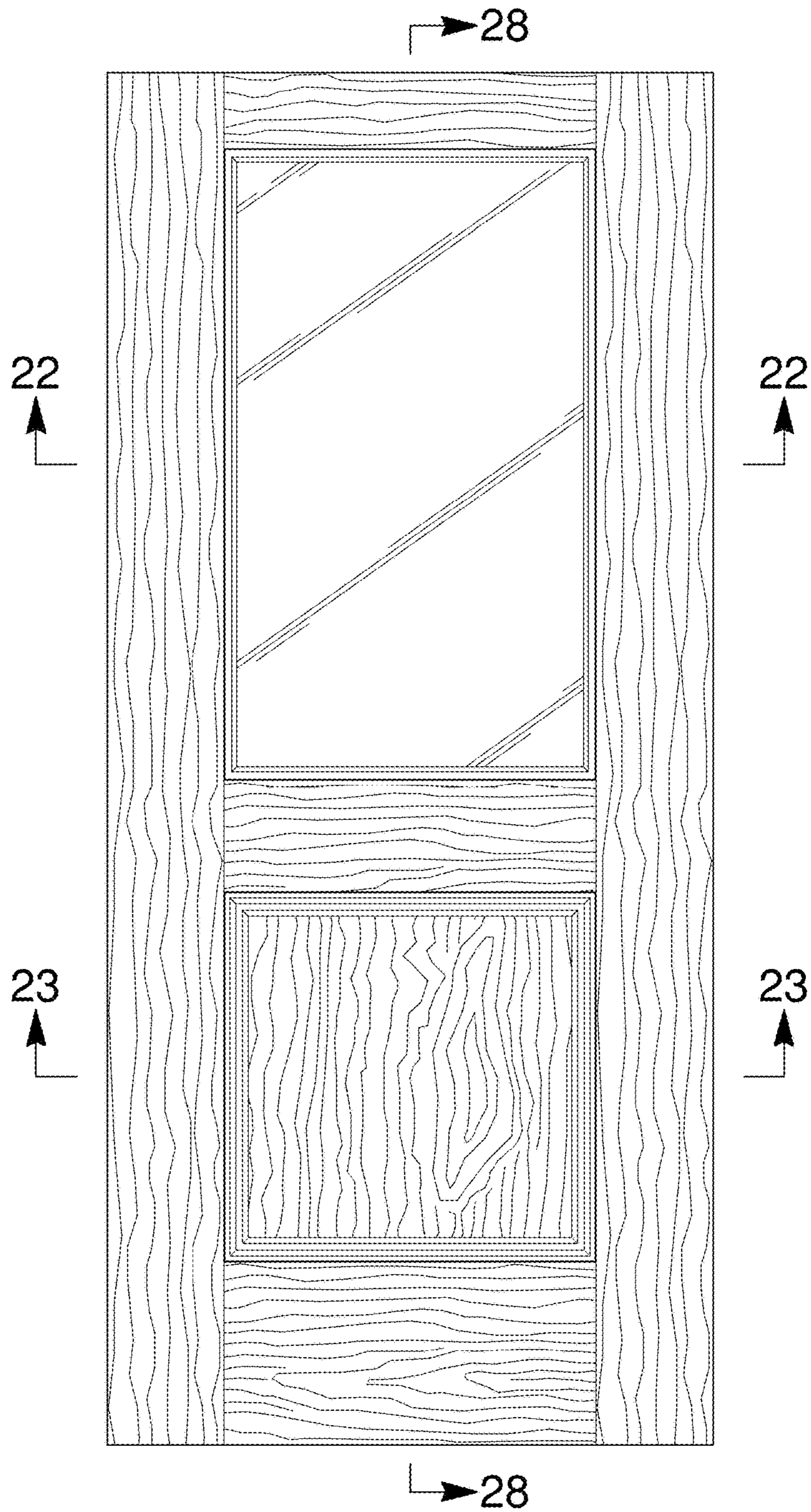


FIG. 18

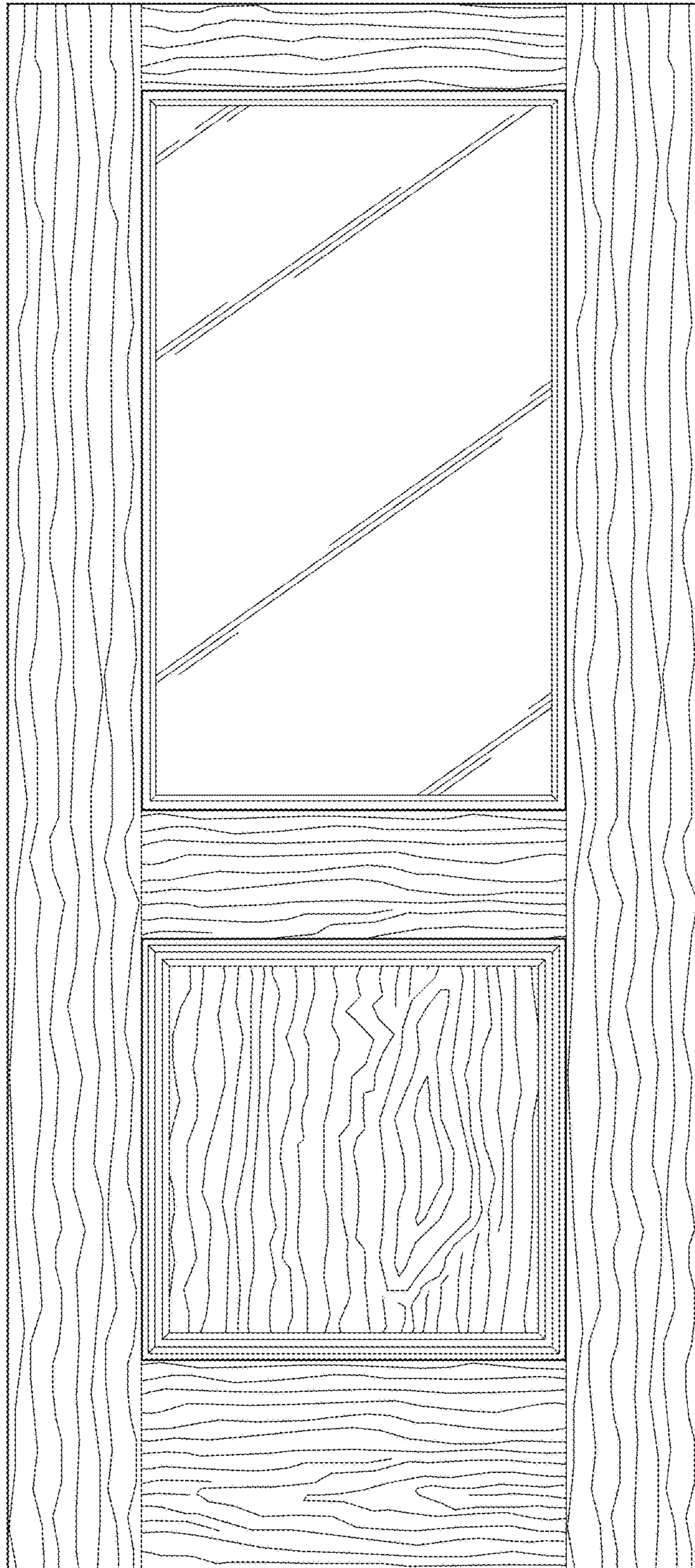


FIG. 19

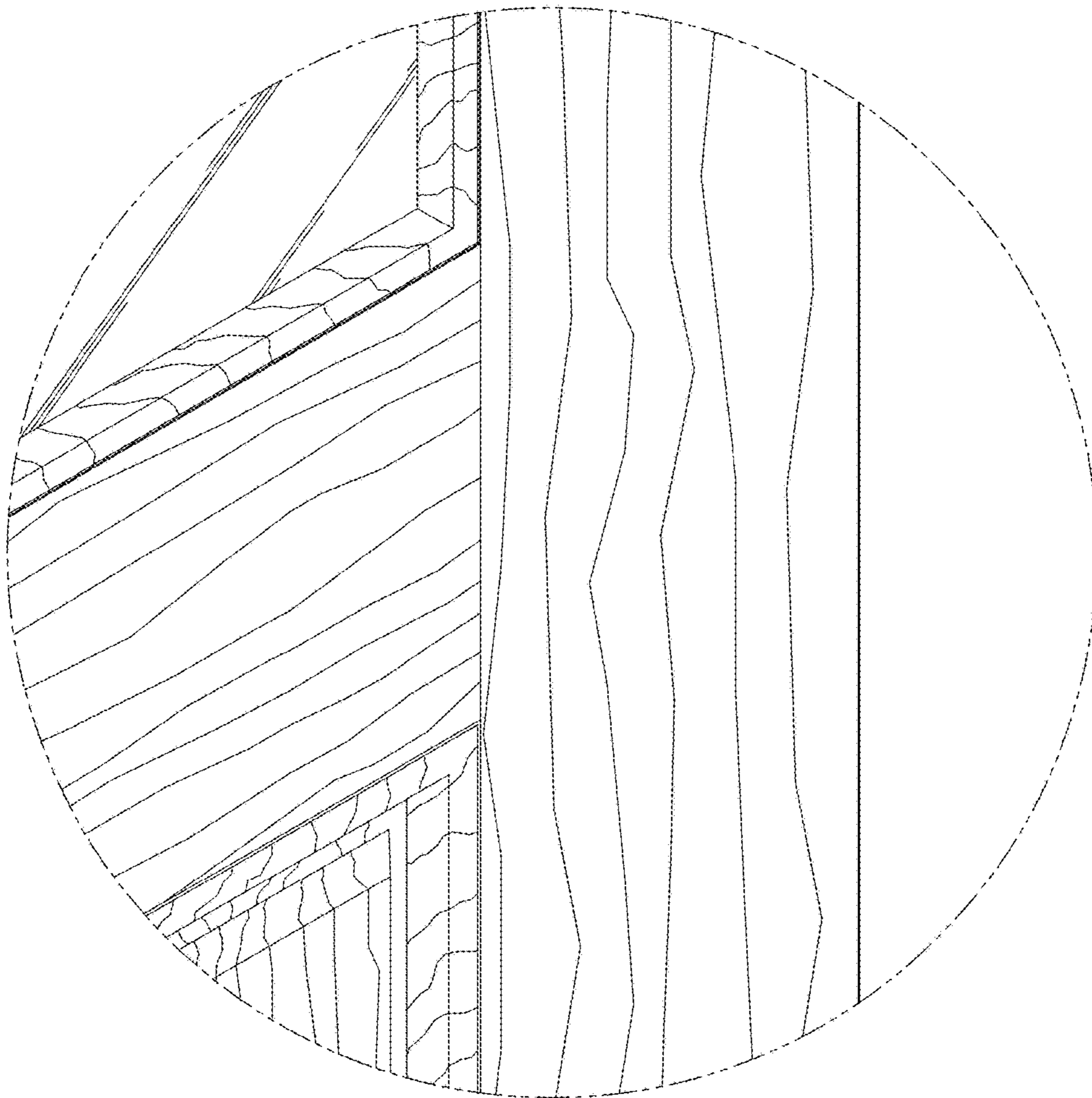


FIG. 20



FIG. 21

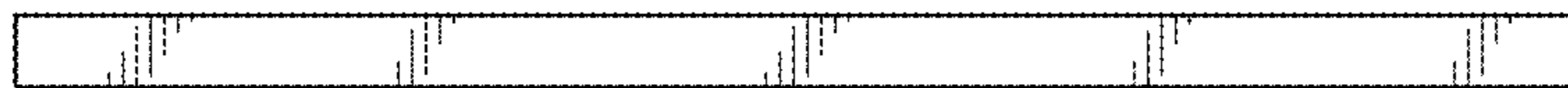


FIG. 22

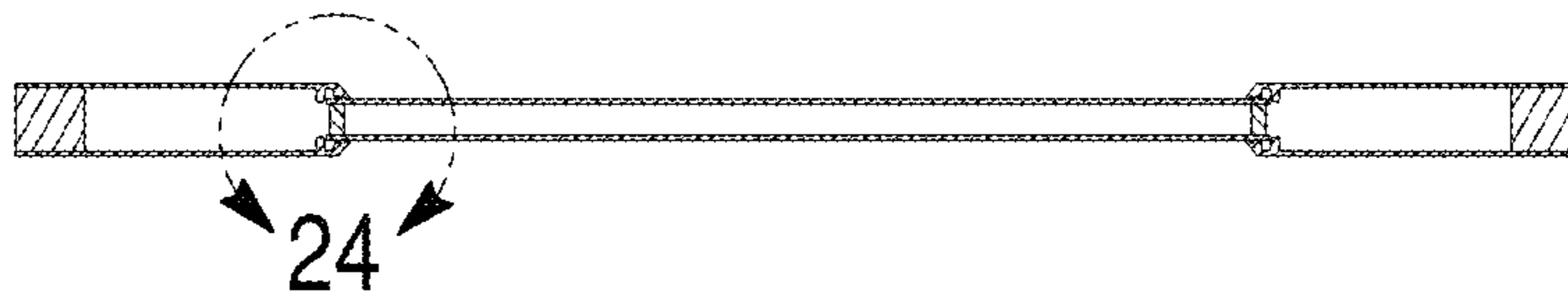
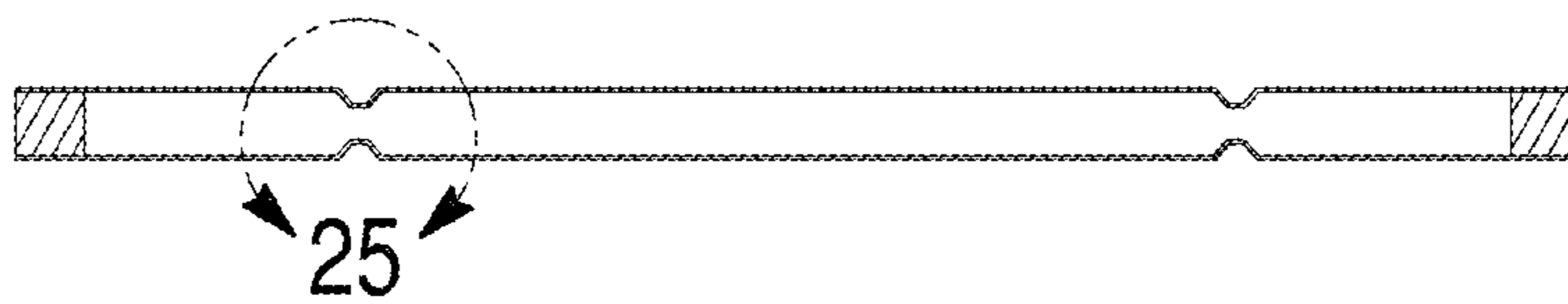


FIG. 23



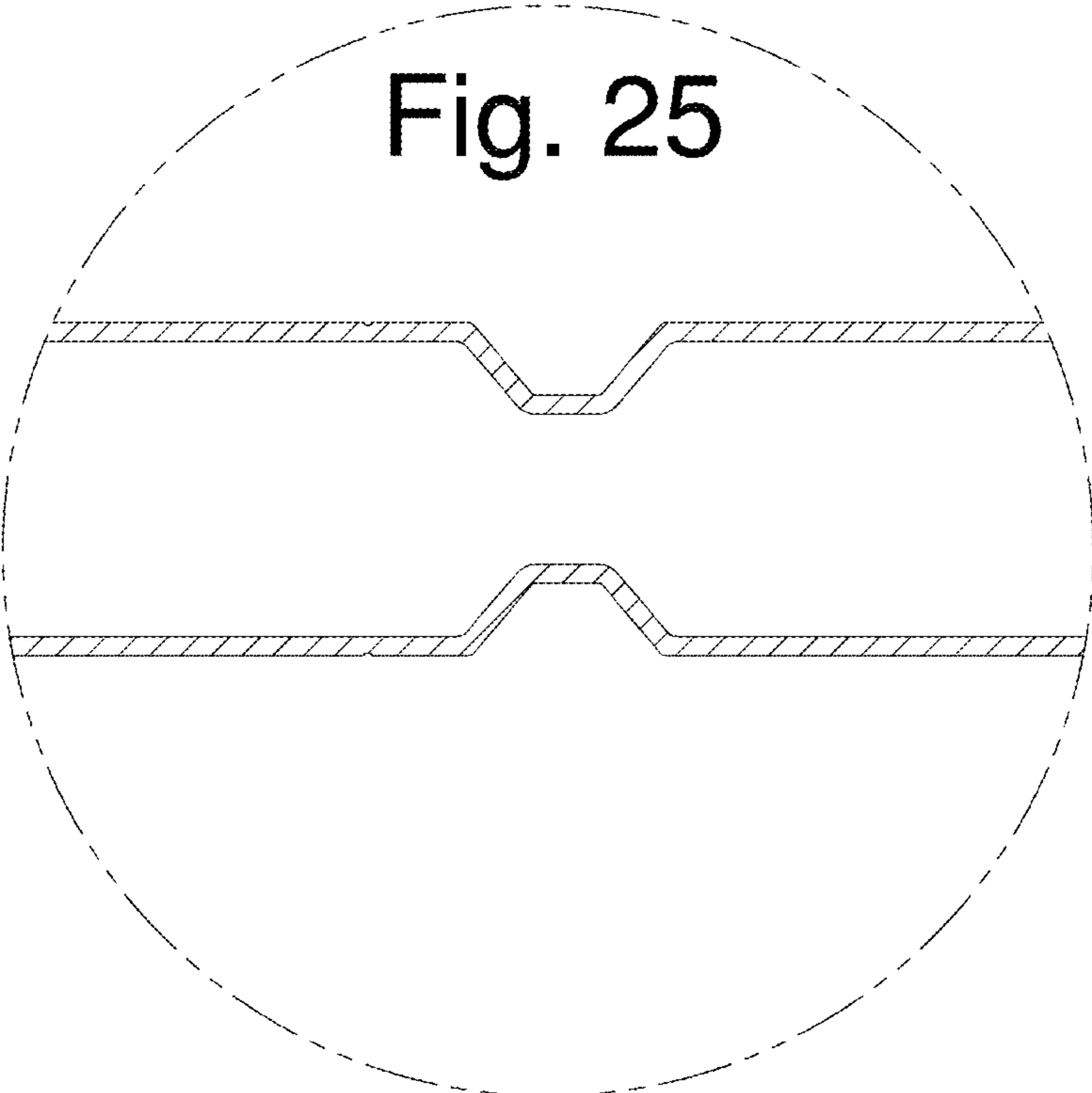
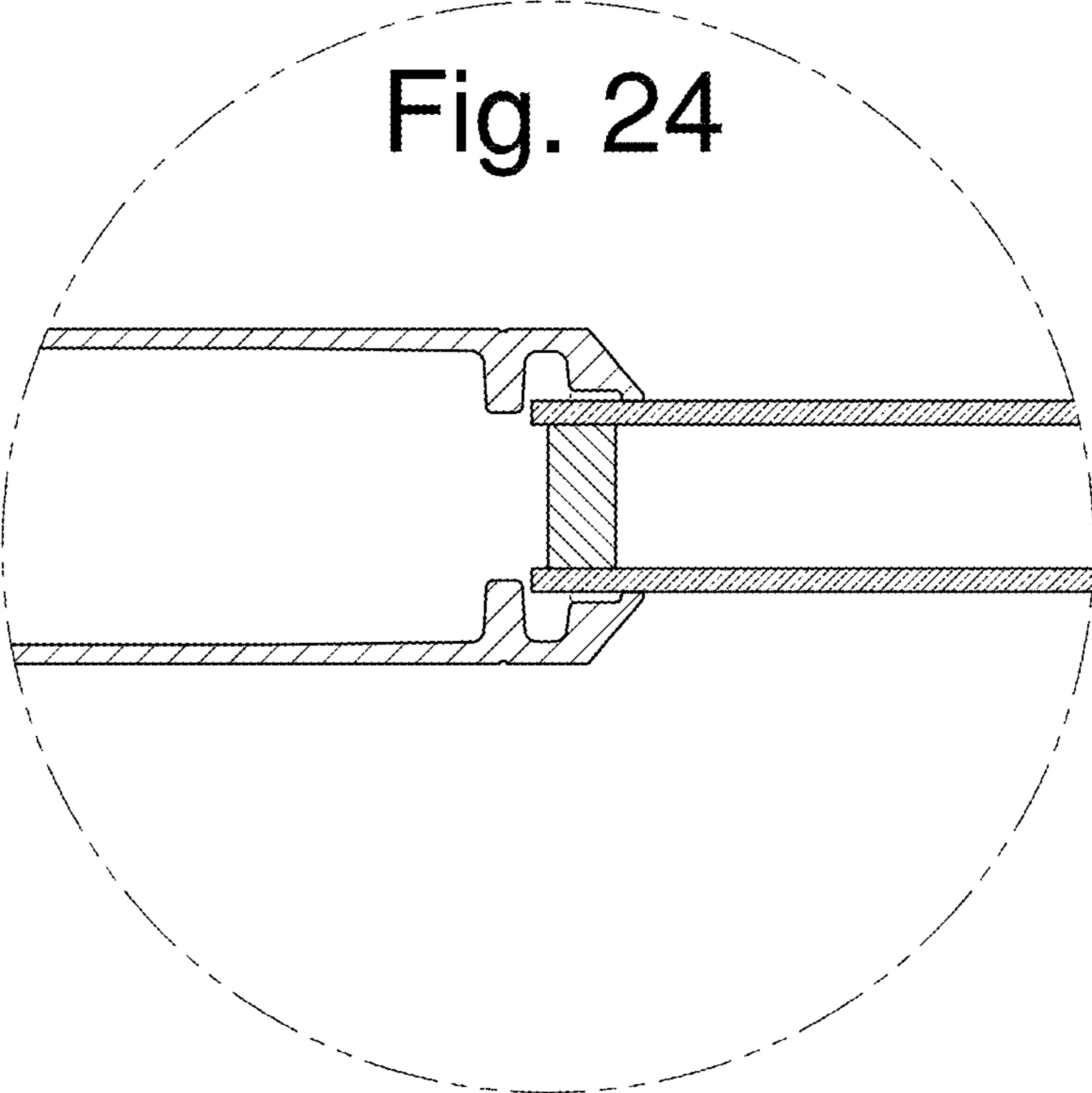


FIG. 26

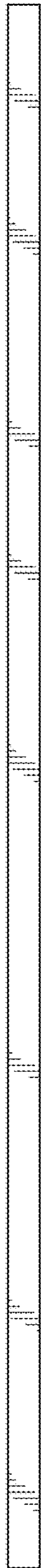


FIG. 27



FIG. 28

