



US00D813405S

(12) **United States Design Patent**
Ho

(10) **Patent No.:** **US D813,405 S**
(45) **Date of Patent:** **** Mar. 20, 2018**

- (54) **TRANSCUTANEOUS ELECTRICAL NERVE STIMULATION DEVICE**
- (71) Applicant: **Hoi Ming Michael Ho**, Ontario (CA)
- (72) Inventor: **Hoi Ming Michael Ho**, Ontario (CA)
- (**) Term: **15 Years**
- (21) Appl. No.: **29/597,977**
- (22) Filed: **Mar. 22, 2017**
- (51) **LOC (11) Cl.** **28-03**
- (52) **U.S. Cl.**
USPC **D24/200**
- (58) **Field of Classification Search**
USPC D24/200, 214
CPC A61N 1/36003; A61N 1/36014; A61N 1/36021; A61N 1/36071; A61N 1/36; A61N 1/0456; A61M 21/02
See application file for complete search history.

- D482,124 S * 11/2003 Wade D24/200
- 8,019,426 B2 * 9/2011 Moore A61N 1/36021
607/46
- D802,780 S * 11/2017 Hsu D24/200
- 2006/0089683 A1 * 4/2006 Hagglof A61N 1/36021
607/48
- 2014/0039573 A1 * 2/2014 Jindra A61N 1/36003
607/48

* cited by examiner

Primary Examiner — Wan Laymon

(74) *Attorney, Agent, or Firm* — Bacon & Thomas, PLLC

(57) **CLAIM**

The ornamental design for a transcutaneous electrical nerve stimulation device, as shown and described.

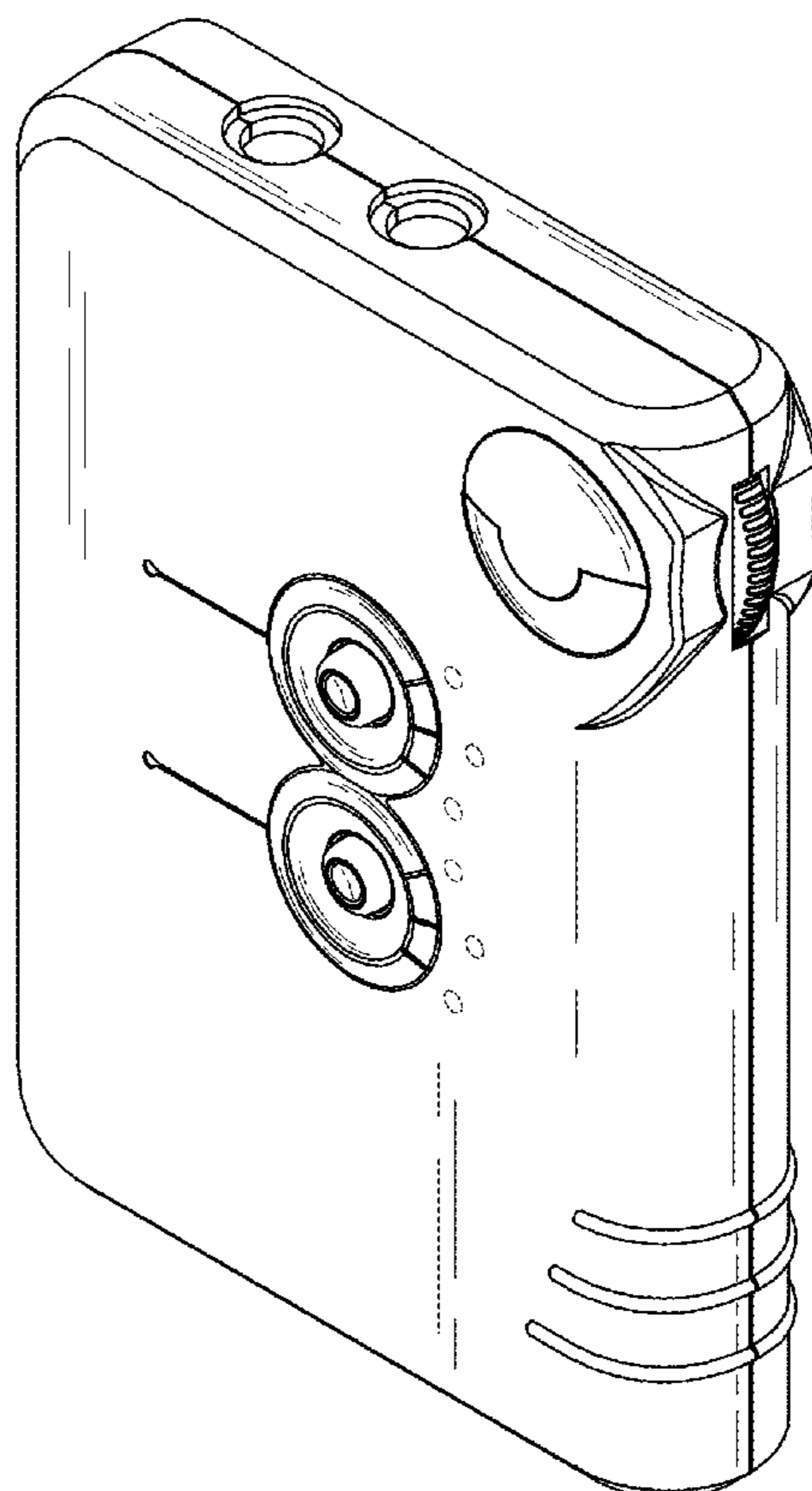
DESCRIPTION

FIG. 1 is a perspective view of a transcutaneous electrical nerve stimulation device showing my new design;
 FIG. 2 is a front elevational view thereof;
 FIG. 3 is a rear elevational view thereof;
 FIG. 4 is a left side elevational view thereof;
 FIG. 5 is a right side elevational view thereof;
 FIG. 6 is a top plan view thereof; and,
 FIG. 7 is a bottom plan view thereof.
 In the drawings, the broken lines depict environmental subject matter only and form no part of the claimed design.

1 Claim, 6 Drawing Sheets

(56) **References Cited**
 U.S. PATENT DOCUMENTS

- D232,778 S * 9/1974 Hagen et al. D24/200
- 4,917,092 A * 4/1990 Todd A61N 1/36021
607/46
- 4,989,605 A * 2/1991 Rossen A61N 1/36021
128/907
- 5,048,523 A * 9/1991 Yamasawa A61N 1/36021
607/66



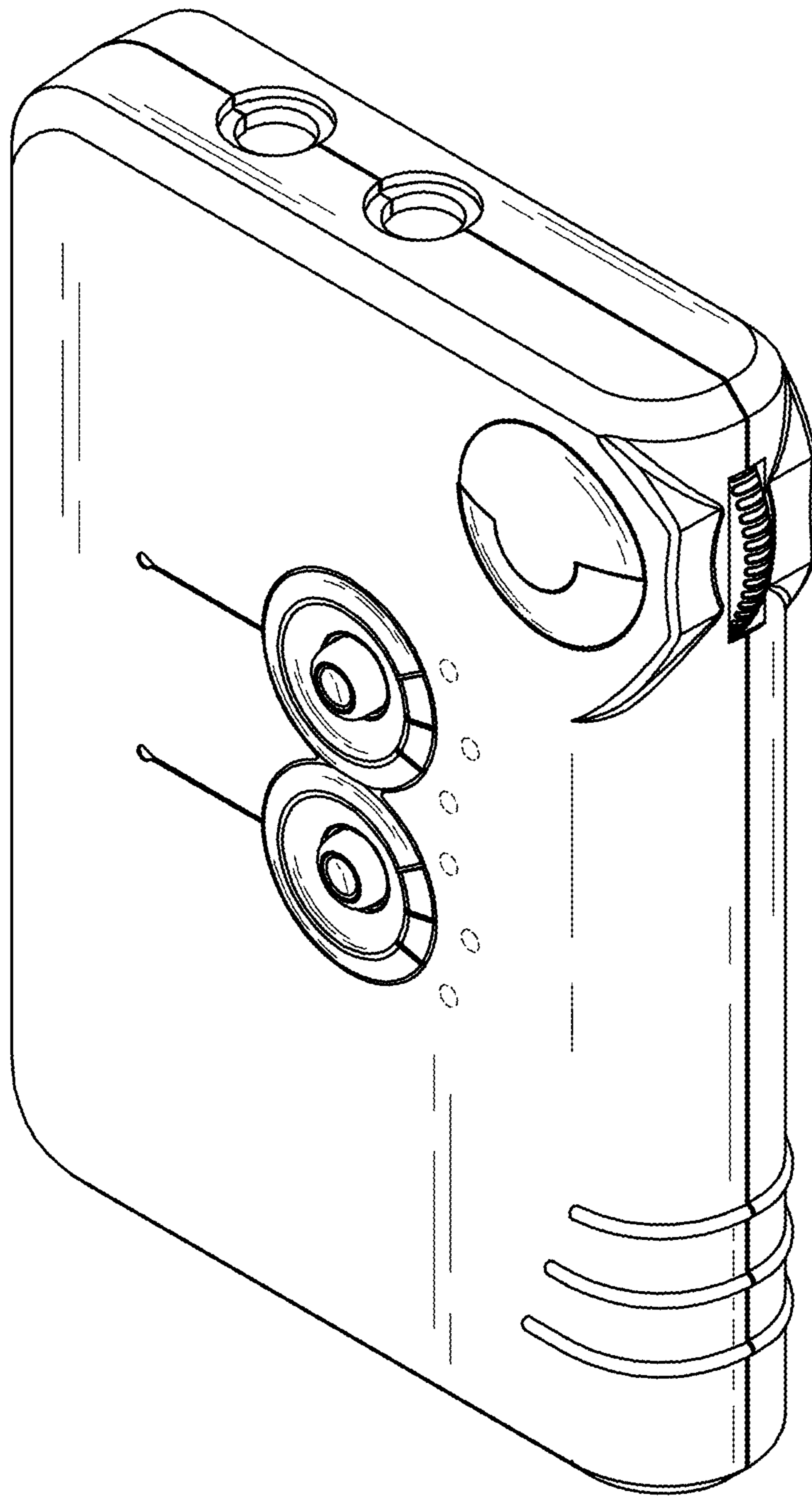


FIG. 1

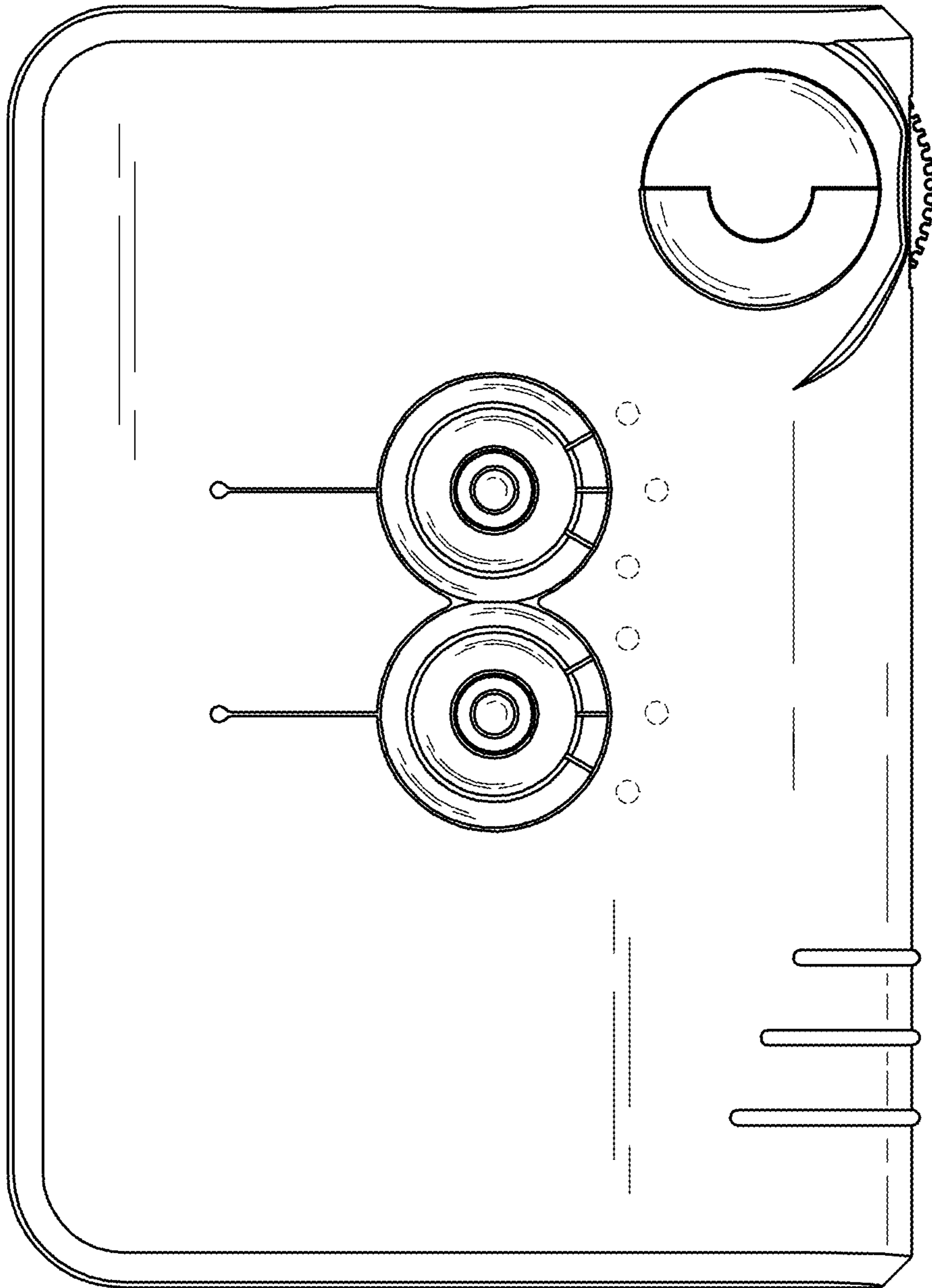


FIG. 2

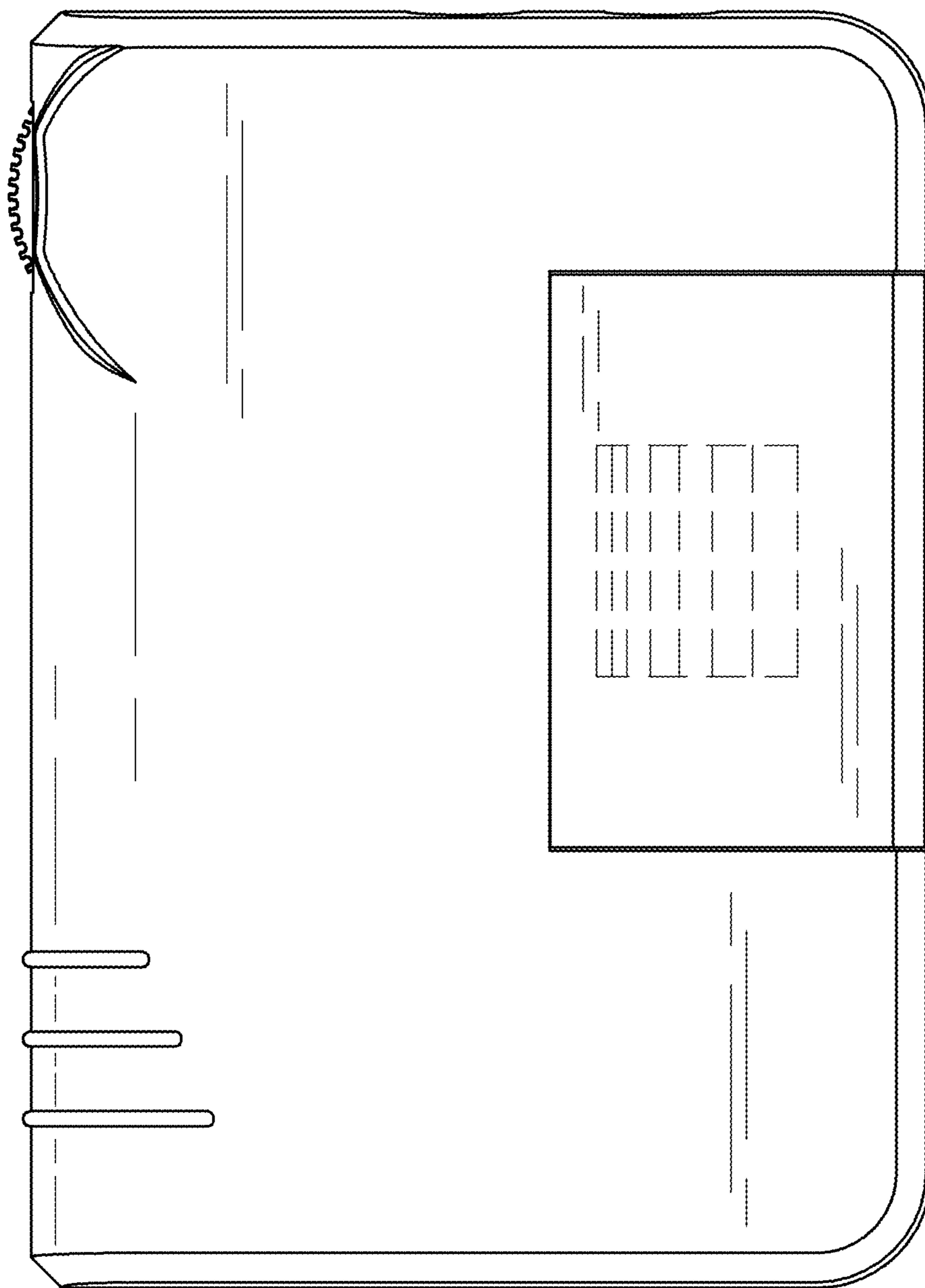


FIG. 3

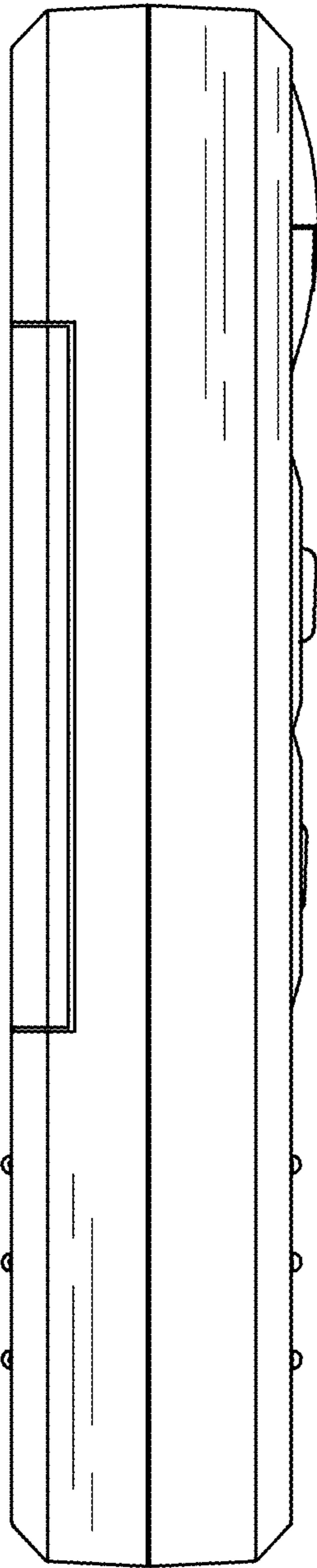


FIG. 4

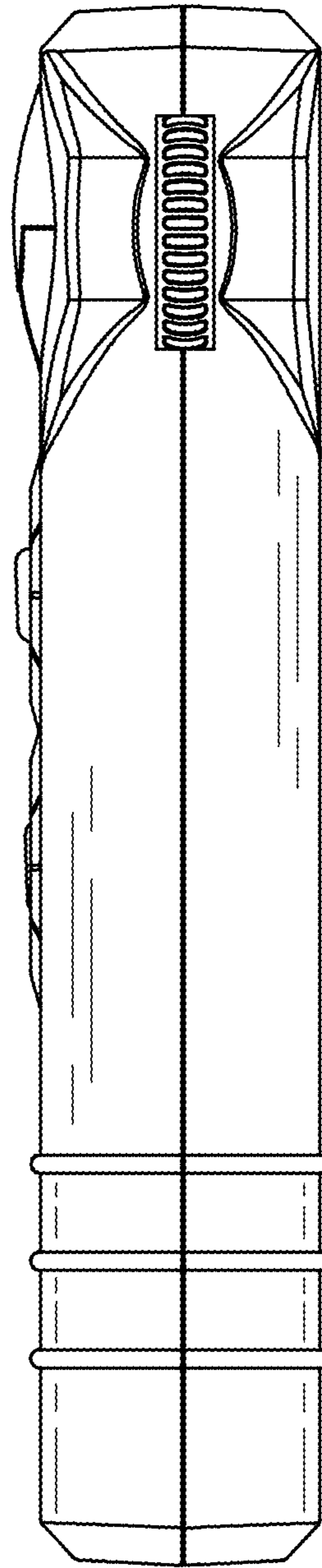


FIG. 5

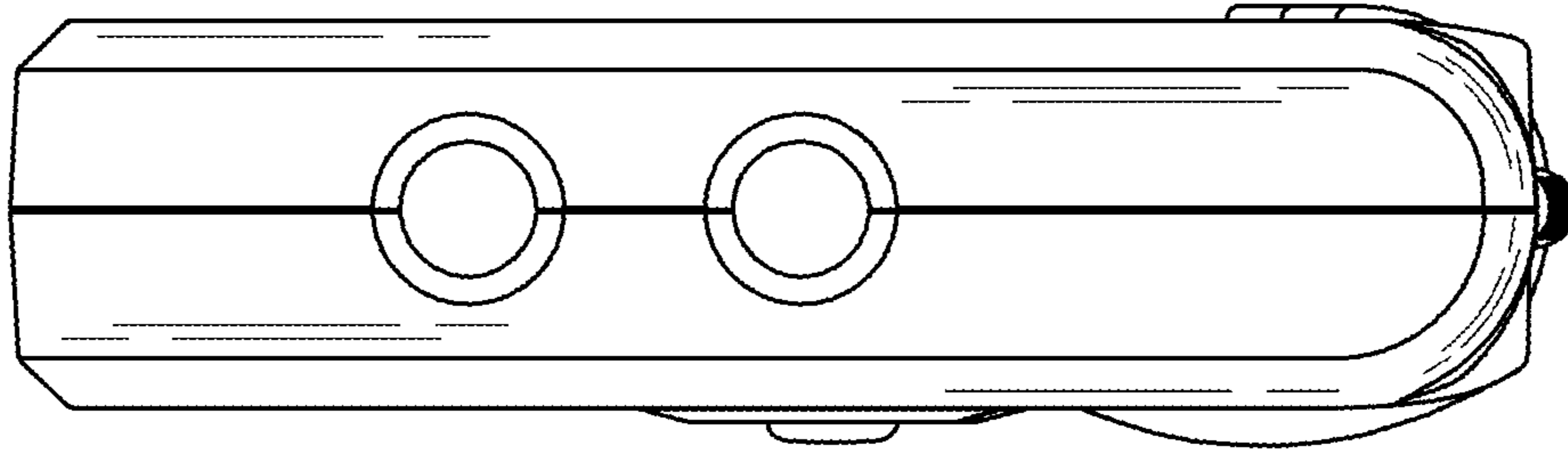


FIG. 6

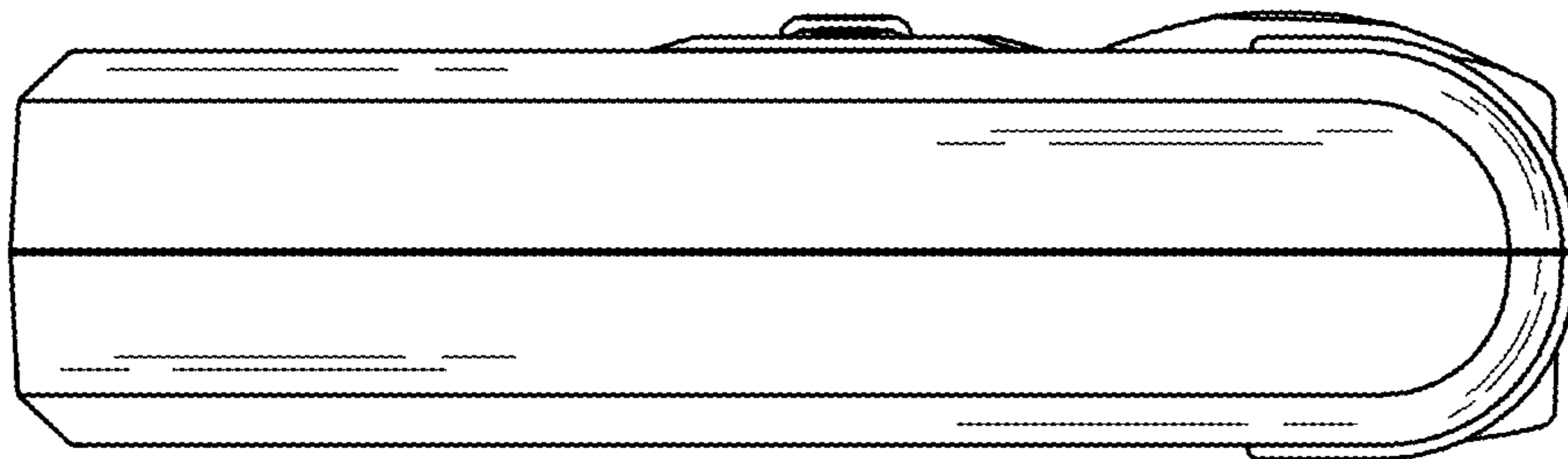


FIG. 7