



US00D813401S

(12) **United States Design Patent** (10) **Patent No.:** **US D813,401 S**
Clement et al. (45) **Date of Patent:** **** *Mar. 20, 2018**

(54) **HYGIENIC SUPPORT**

(71) Applicant: **Community Products, LLC**, Rifton, NY (US)

(72) Inventors: **Gideon Clement**, Rifton, NY (US); **Samuel Durgin**, Elka Park, NY (US); **Tobias Brinkmann**, Farmington, PA (US); **Gilbert Thomson**, Elka Park, NY (US)

(73) Assignee: **Community Products, LLC**, Rifton, NY (US)

(*) Notice: This patent is subject to a terminal disclaimer.

(**) Term: **15 Years**

(21) Appl. No.: **29/600,083**

(22) Filed: **Apr. 10, 2017**

Related U.S. Application Data

(63) Continuation of application No. 29/575,066, filed on Aug. 22, 2016, now Pat. No. Des. 783,839, which is a continuation of application No. 29/494,100, filed on Jun. 17, 2014.

(51) **LOC (11) Cl.** **24-04**

(52) **U.S. Cl.**
USPC **D24/188**

(58) **Field of Classification Search**
USPC D24/183, 188; D12/128-133
CPC A61G 7/1059; A47K 3/122; A61H 2201/0149

See application file for complete search history.

(56) **References Cited**

U.S. PATENT DOCUMENTS

4,662,361 A 5/1987 Patterson
D296,364 S 6/1988 Nippoldt

D298,569 S 11/1988 Nippoldt
D298,570 S 11/1988 Nippoldt
5,054,137 A 10/1991 Christensen
D362,911 S 10/1995 Helms
D404,693 S * 1/1999 Schaffner D12/131
D413,554 S * 9/1999 Schlangen D12/131
D443,563 S * 6/2001 Johnson D12/131

(Continued)

OTHER PUBLICATIONS

European Community Design Registration No. 002484568-0001, registered on Jun. 17, 2014.

(Continued)

Primary Examiner — Michael A Pratt

Assistant Examiner — Michelle E Wilson

(74) *Attorney, Agent, or Firm* — Economou Silfin LLP

(57) **CLAIM**

The ornamental design for a hygienic support, as shown and described.

DESCRIPTION

FIG. 1 is an isometric view of an exemplary embodiment of a hygienic support according to the present invention;

FIG. 2 is a front view of the hygienic support shown in FIG. 1;

FIG. 3 is a rear view of the hygienic support shown in FIG. 1;

FIG. 4 is a right side view of the hygienic support shown in FIG. 1;

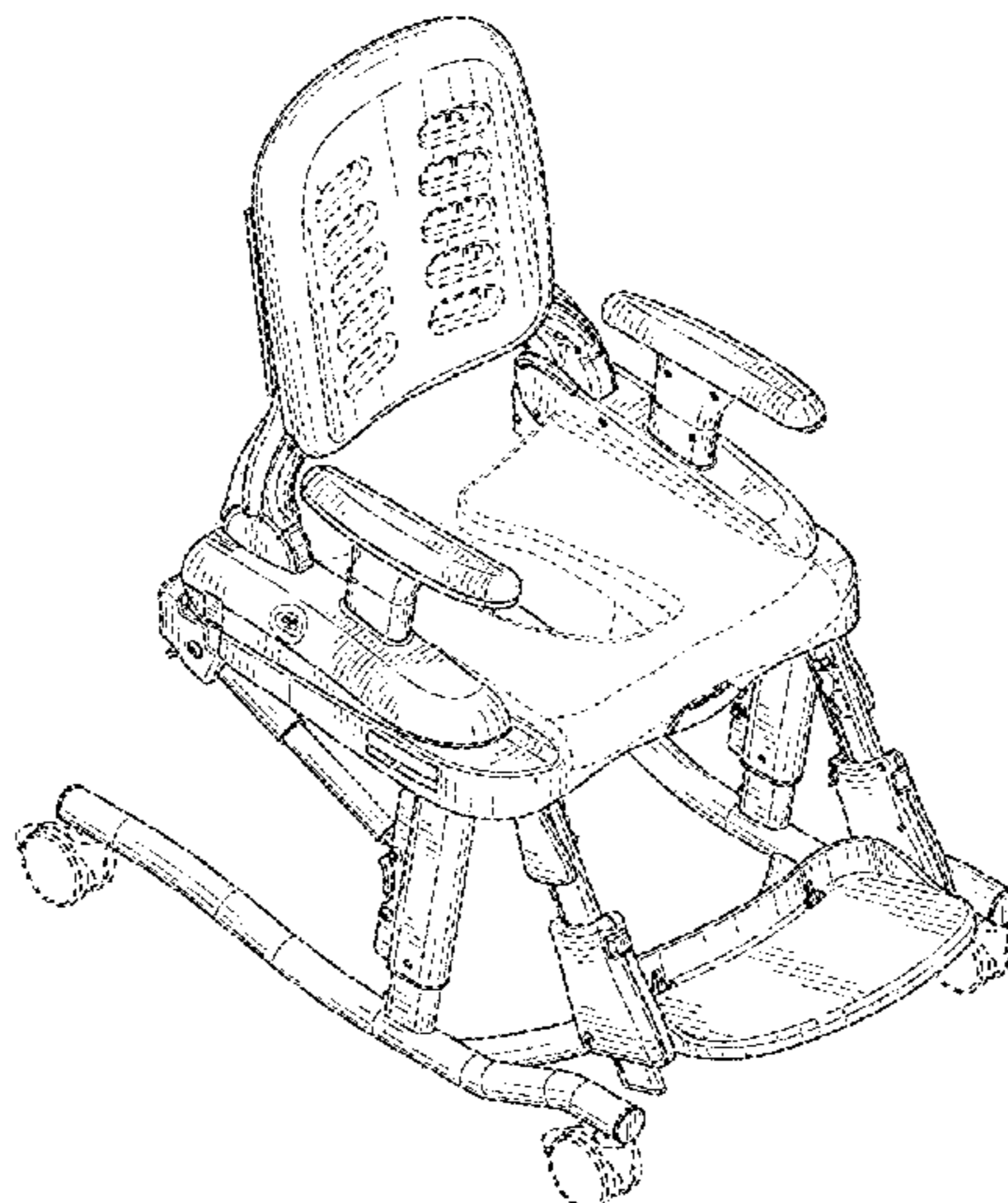
FIG. 5 is a left side view of the hygienic support shown in FIG. 1;

FIG. 6 is a top plan view of the hygienic support shown in FIG. 1; and,

FIG. 7 is a bottom plan view of the hygienic support shown in FIG. 1.

All features illustrated as phantom (broken) lines are expressly disclaimed and form no part of the claimed design.

1 Claim, 7 Drawing Sheets



(56)

References Cited

U.S. PATENT DOCUMENTS

D462,639 S * 9/2002 Lin D12/131
 D494,110 S 8/2004 Cheng
 D496,463 S 9/2004 Hunt
 D508,664 S * 8/2005 Armstrong D12/128
 D523,788 S * 6/2006 Jones D12/131
 D589,623 S 3/2009 Olliges
 D598,816 S 8/2009 Ahlbertz
 D604,208 S * 11/2009 Perk D12/131
 D606,909 S * 12/2009 Ahlbertz D12/131
 D621,307 S * 8/2010 Kagi D12/131
 D627,270 S 11/2010 Kretschmer
 D653,176 S * 1/2012 Jurkiewicz D12/131
 D677,606 S 3/2013 Akre
 8,616,309 B2 * 12/2013 Art A61G 5/042
 180/65.1
 D699,160 S 2/2014 Yang
 8,727,048 B2 * 5/2014 Jurkiewicz A61G 5/045
 180/65.1

8,919,797 B2 * 12/2014 Lowenthal A61G 5/1043
 280/250.1
 8,931,583 B2 * 1/2015 Tuckowski A61G 5/043
 180/65.1
 D745,441 S * 12/2015 Ohruh D12/131
 D754,569 S * 4/2016 Da Cunha D12/131
 D780,075 S * 2/2017 Clement D12/133
 D783,839 S * 4/2017 Clement D24/188
 2004/0222611 A1 11/2004 Fenwick
 2005/0065675 A1 3/2005 Georgi
 2007/0169267 A1 7/2007 Paz
 2012/0132213 A1 5/2012 Kakko

OTHER PUBLICATIONS

European Community Design Registration No. 002484568-0002,
 registered on Jun. 17, 2014.

* cited by examiner

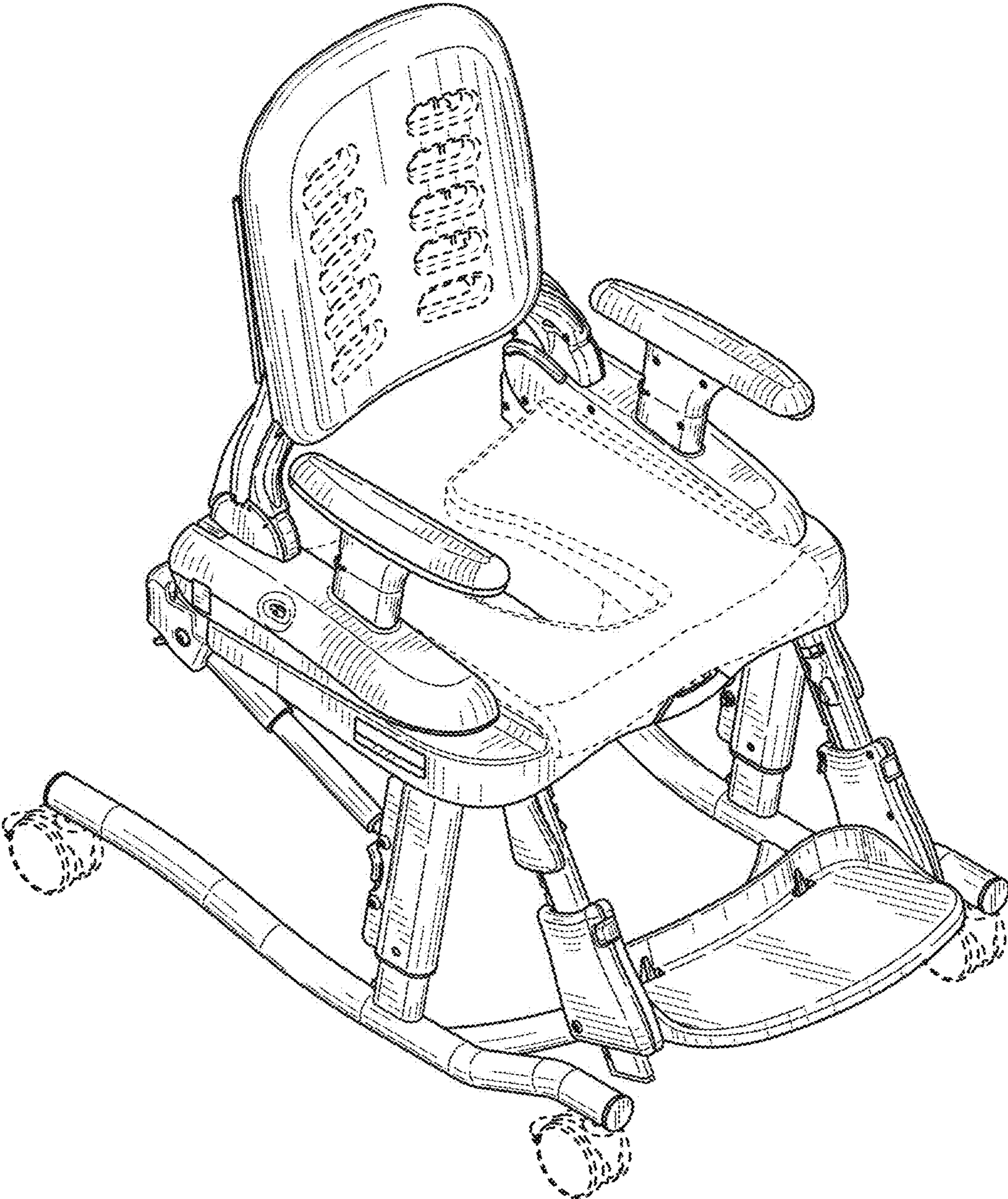


FIG. 1

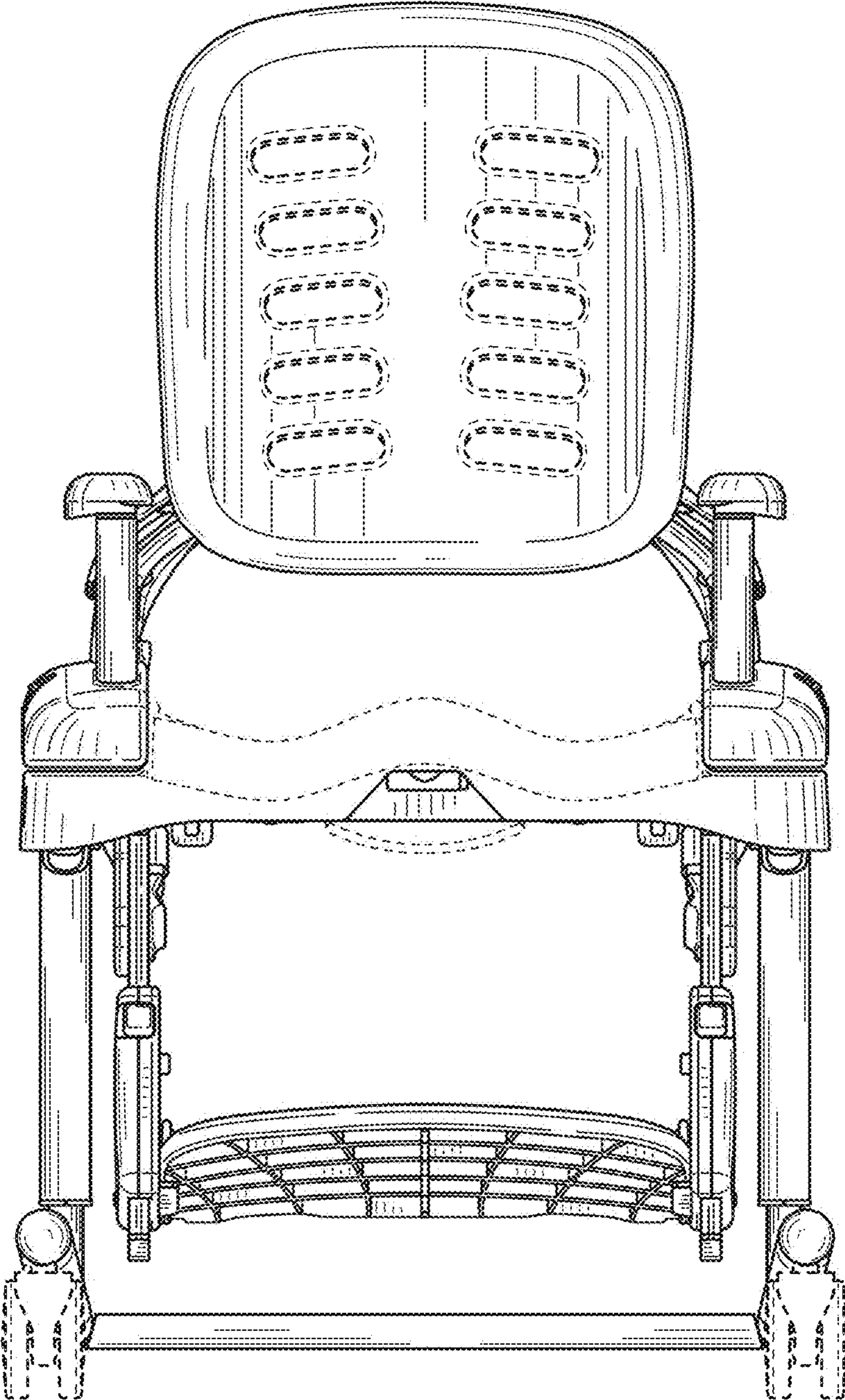


FIG. 2

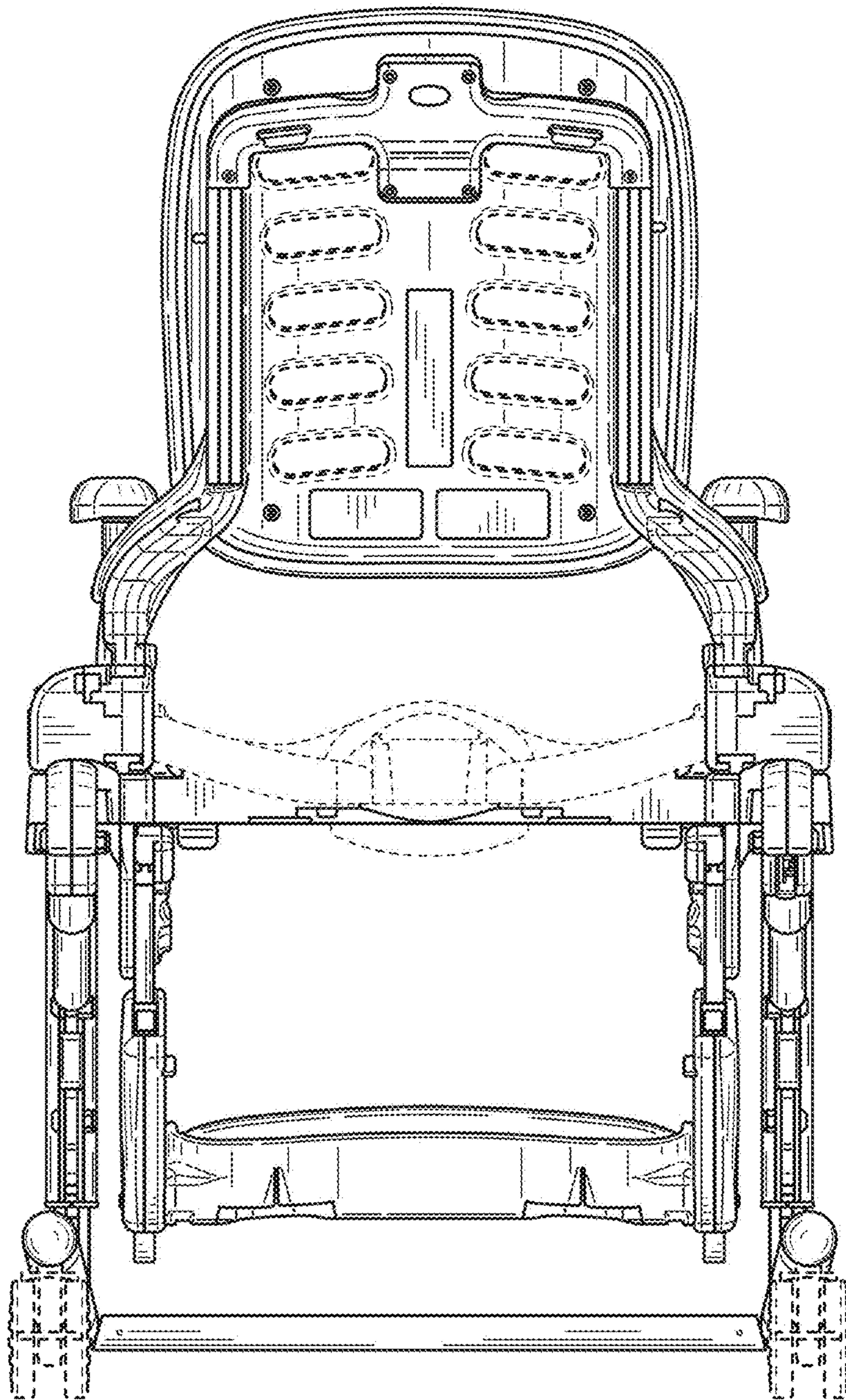


FIG. 3

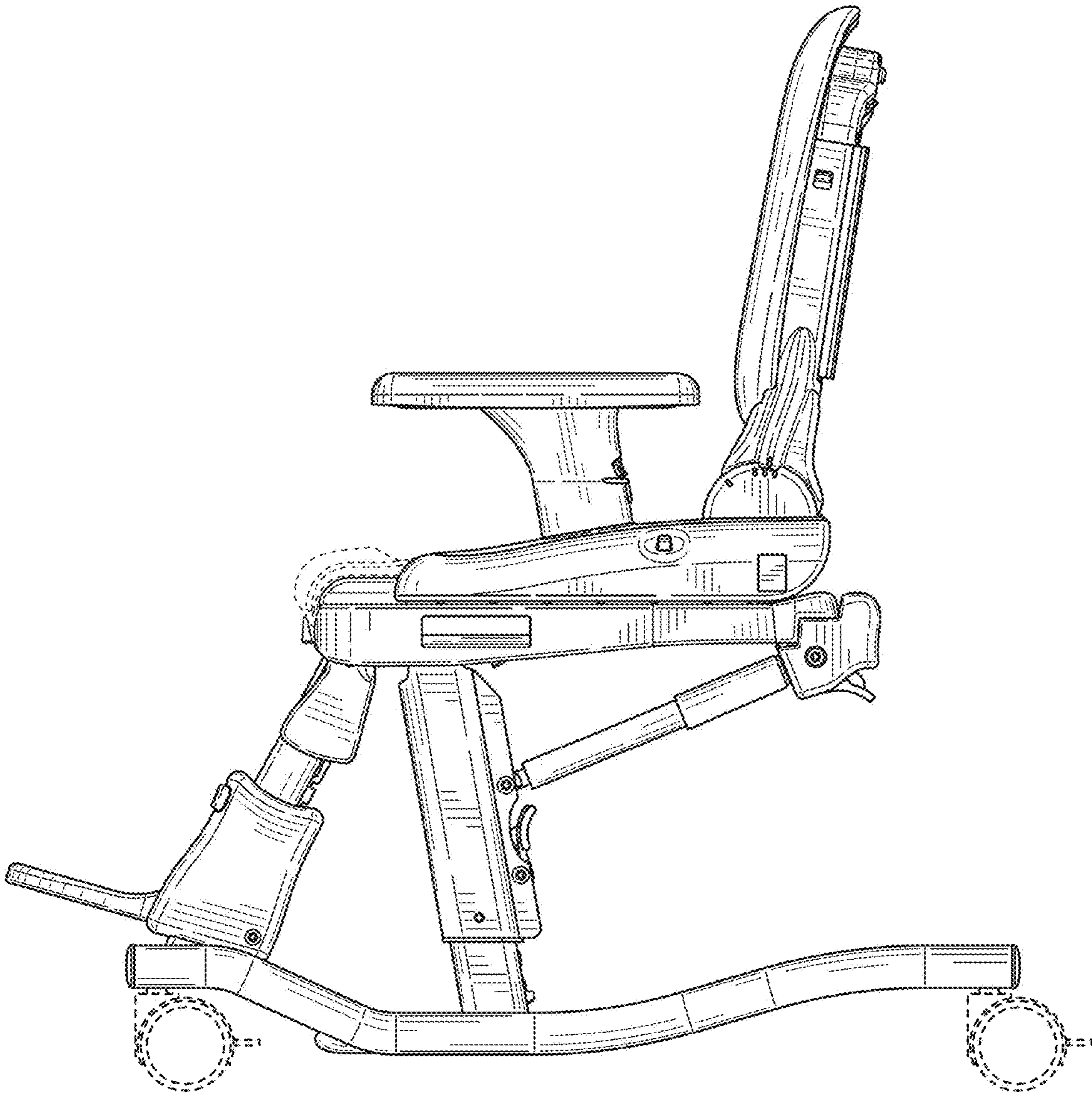


FIG. 4

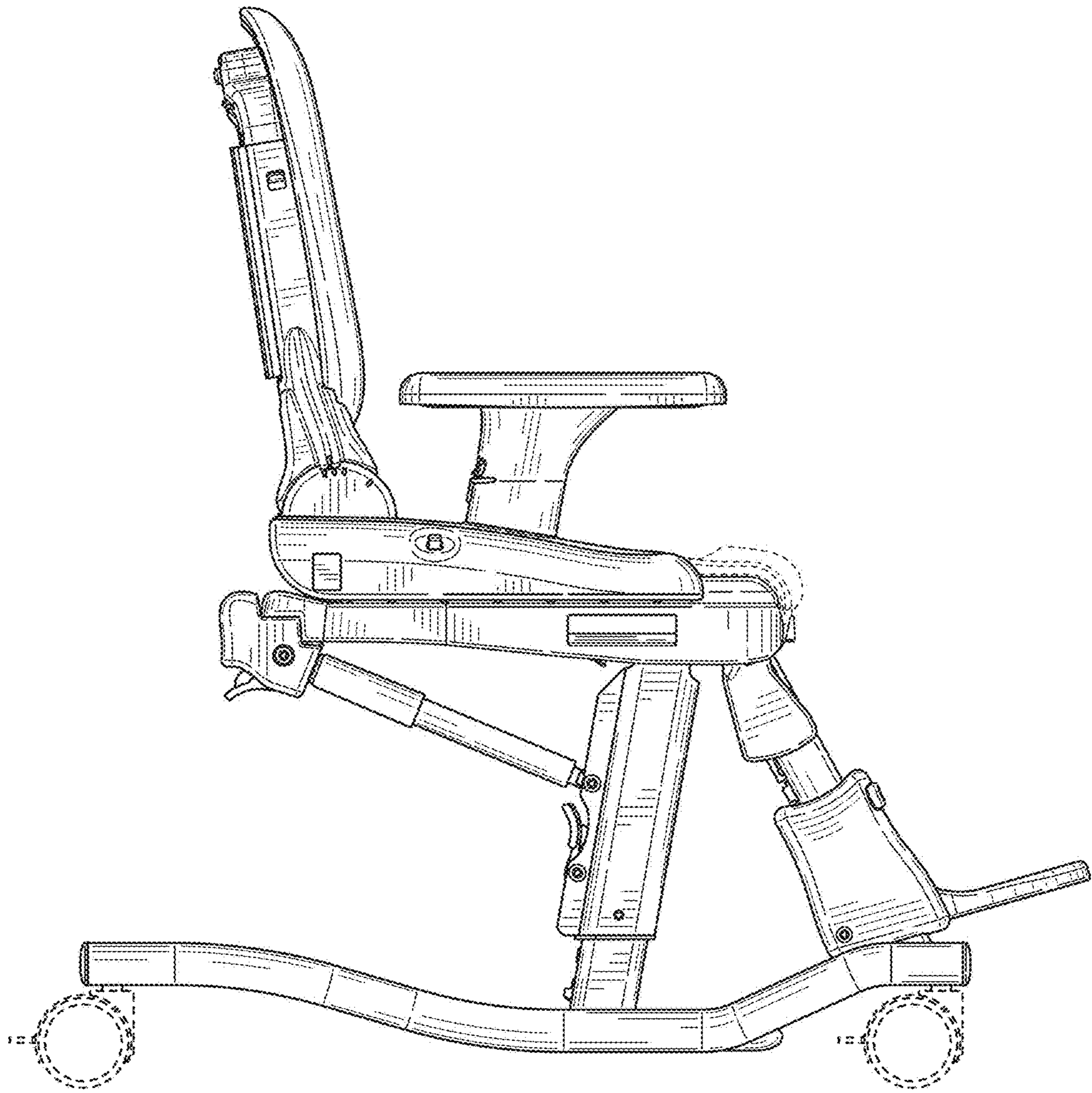


FIG. 5

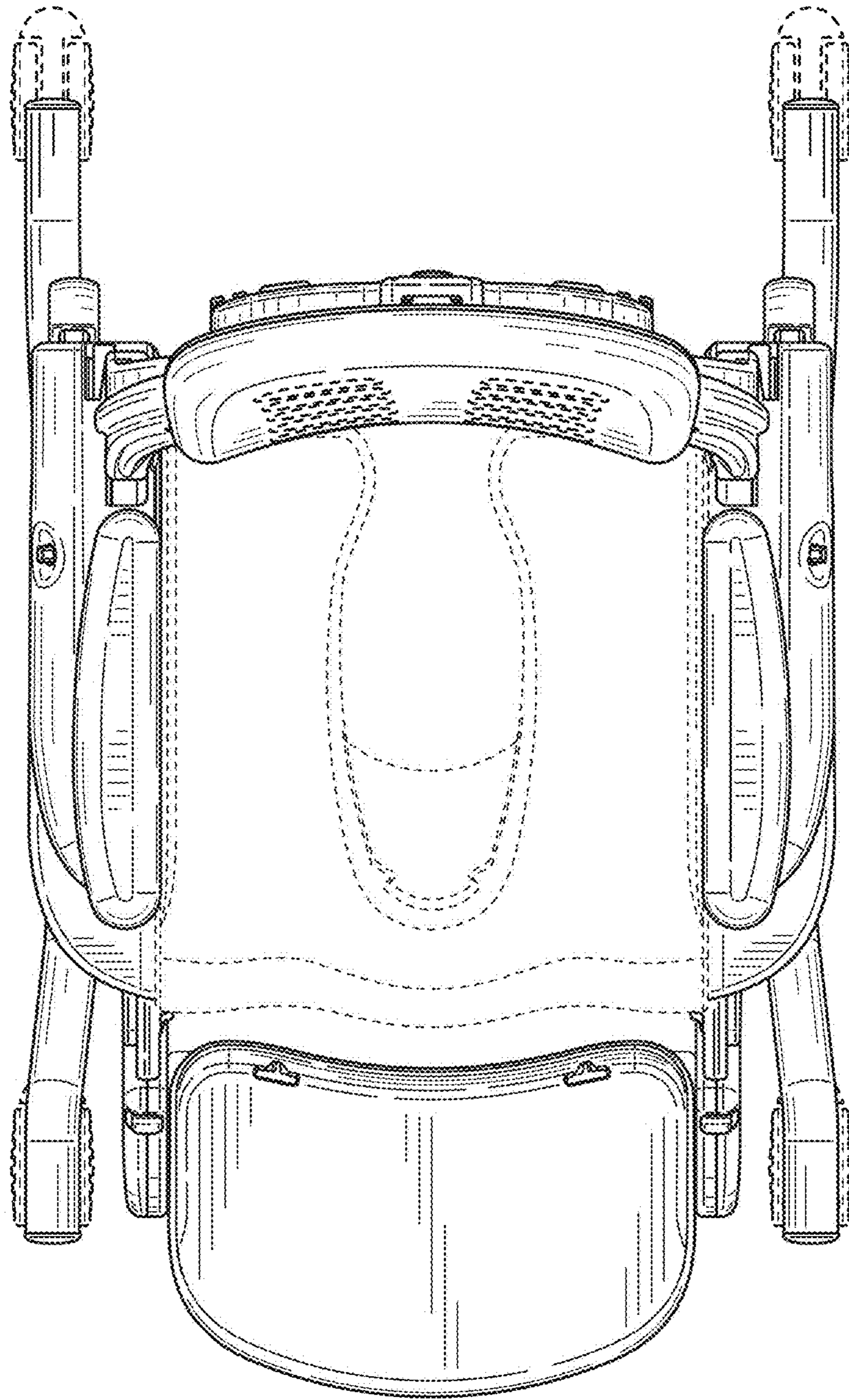


FIG. 6

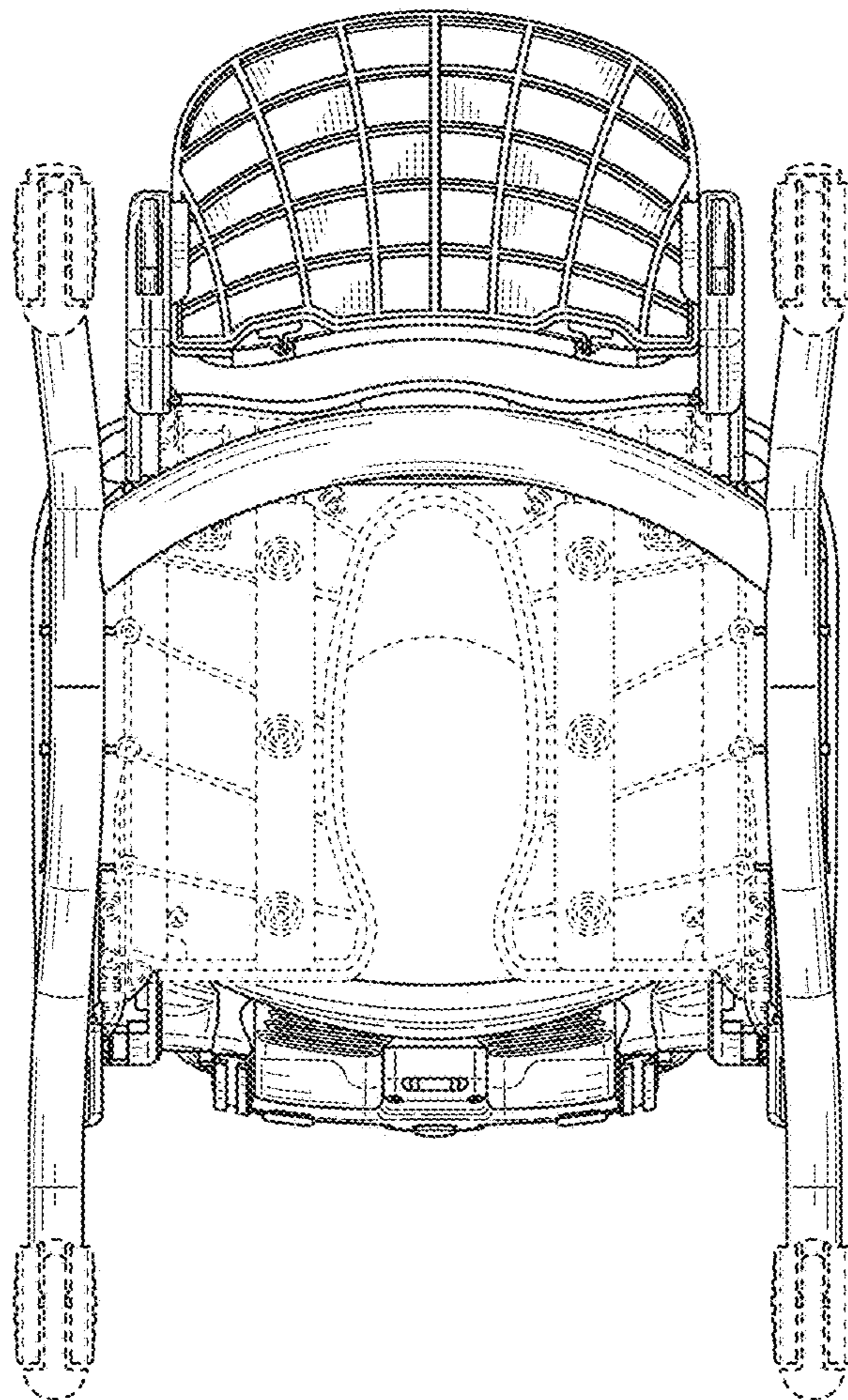


FIG. 7