



US00D813399S

(12) **United States Design Patent**
Barber et al.

(10) **Patent No.:** **US D813,399 S**
(45) **Date of Patent:** **** Mar. 20, 2018**

(54) **HEAD POSITIONER**

(71) Applicant: **Ansell Limited**, Richmond, Victoria (AU)

(72) Inventors: **Jennifer Barber**, Simi Valley, CA (US); **Adam Weintraub**, Calabasas, CA (US); **Noel Muldowney**, County Kildare (IE); **Michael Lawler**, County Kildare (IE)

(73) Assignee: **Ansell Limited**, Victoria (AU)

(**) Term: **15 Years**

(21) Appl. No.: **29/597,890**

(22) Filed: **Mar. 21, 2017**

(51) **LOC (11) Cl.** **24-01**

(52) **U.S. Cl.**
USPC **D24/184**

(58) **Field of Classification Search**

USPC D24/183-184, 188, 190-191, 200, 211, D24/215; D6/601, 596, 604; 5/600-624, 5/630-651, 653, 657; 128/845, 870; 297/352-353, 391, 397, 411.2, 411.24, 297/423.1, 452.1, 452.29; 602/4, 6, 13, 602/17-20, 23, 32; 606/240; D21/662, D21/686, 694, 695; 248/118; 600/415
CPC ... A47B 21/0314; A47B 21/0371; A47C 1/03; A47C 1/143; A47C 16/00; A47C 16/02; A47C 20/021; A47C 20/026; A47C 20/027; A47C 20/23; A47C 20/25; A47C 20/26; A47C 20/27; A47C 27/00; A47C 27/001; A47C 27/081; A47C 27/086; A47C 27/144; A47C 27/146; A47C 7/021; A47C 7/022; A47C 7/38; A47C 7/383; A47C 7/386; A47C 7/425; A47C 7/46; A47C 7/54; A47C 7/543; A47C 7/546; A47C 7/68; A47C 7/70; A47D 15/006; A47D 15/008; A47G 9/007; A47G 9/0253; A47G 9/10; A47G 9/1009; A47G 9/1027; A47G 9/1036; A47G 9/1045; A47G 9/1054; A47G 9/1072;

A47G 9/1081; A47G 9/109; A61B 17/02; A61B 17/320092; A61B 6/0421; A61B 6/501; A61B 90/14; A61F 5/01; A61F 5/0118; A61F 5/012; A61F 5/04; A61F 5/055; A61F 5/0585; A61F 5/30; A61F 5/5605; A61F 5/3707; A61F 5/3738; A61F 5/3746; A61F 5/3753; A61F 5/3761; A61F 5/883; A61F 9/04; A63B 2023/003; A63B 2023/006; A63B 21/00047; A61G 13/12; A61G 13/121; A61G 13/1235; A61G 15/02; A61G 15/125; A61G 5/12; A61H 1/008; A61H 1/02; A61H 1/0218; A61H 1/0292

See application file for complete search history.

(56) **References Cited**

U.S. PATENT DOCUMENTS

3,337,883 A * 8/1967 Allison A47G 9/1009
5/638
3,366,106 A * 1/1968 Yao A47C 20/026
493/269

(Continued)

Primary Examiner — Ian Simmons

Assistant Examiner — Mark A. Cavanna

(74) *Attorney, Agent, or Firm* — Moser Taboada

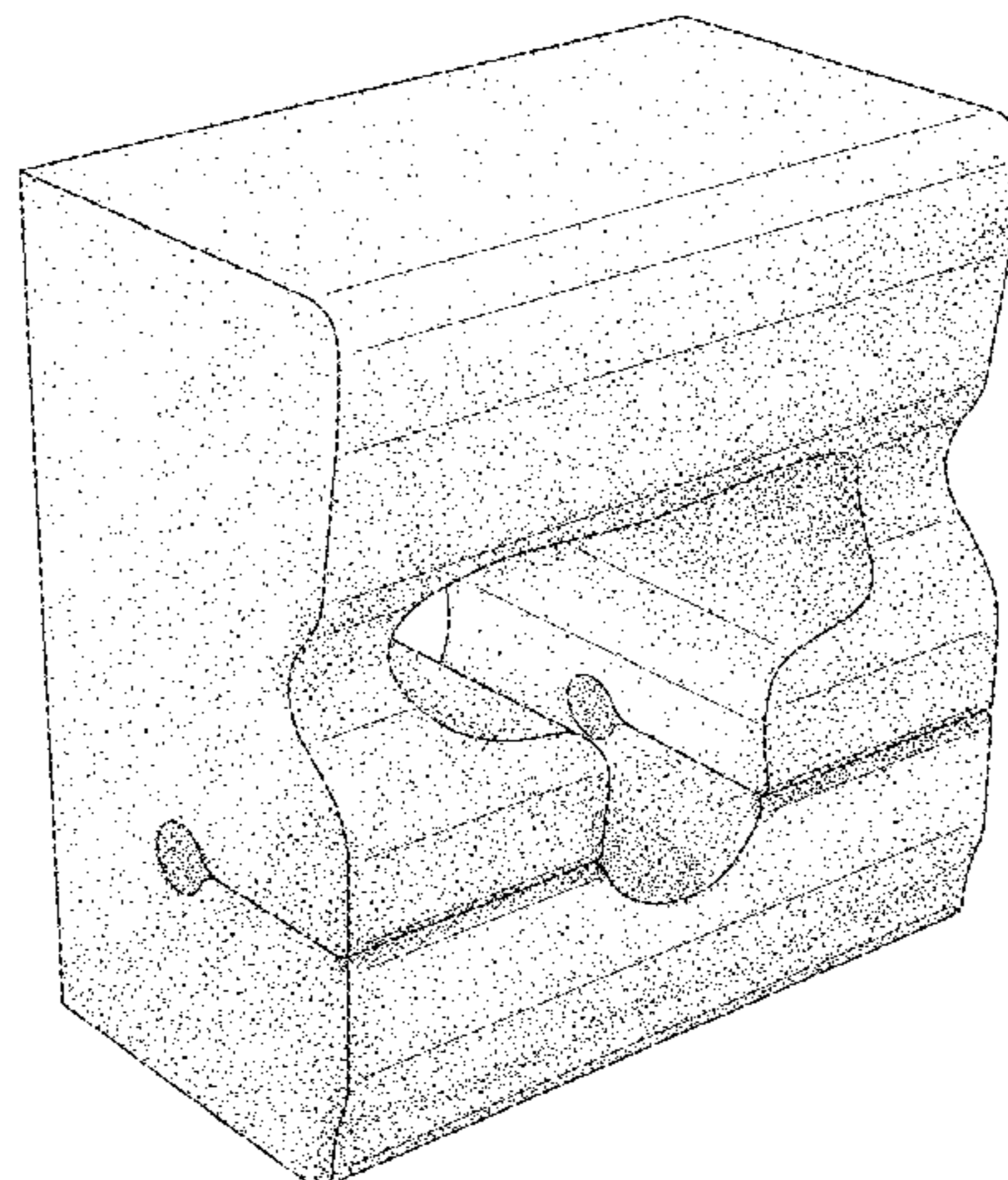
(57) **CLAIM**

The ornamental design for a head positioner, as shown and described.

DESCRIPTION

FIG. 1 is a perspective view of a head positioner showing our new design;
FIG. 2 is a front view thereof;
FIG. 3 is a rear view thereof;
FIG. 4 is a left side view thereof;
FIG. 5 is a right side view thereof;
FIG. 6 is a top plan view thereof; and,
FIG. 7 is a bottom plan view thereof.

1 Claim, 6 Drawing Sheets



(56)

References Cited

U.S. PATENT DOCUMENTS

3,694,831 A *	10/1972	Treace	A47G 9/10	6,842,924 B1 *	1/2005	Walters	A47C 20/026
			5/636				5/636
D258,557 S	3/1981	Herr		7,574,759 B2 *	8/2009	Wilson	A61G 13/121
D271,834 S *	12/1983	Huntsinger	D6/601				5/622
D277,059 S *	1/1985	Boone	D6/601	D601,261 S	9/2009	Levan et al.	
D298,992 S	12/1988	Voss		D625,420 S	10/2010	Sharps et al.	
D337,914 S	8/1993	McDonald		7,882,583 B2 *	2/2011	Skripps	A61G 13/121
5,269,035 A *	12/1993	Hartunian	A47C 20/026				5/621
			5/637	D665,912 S *	8/2012	Skripps	D24/183
5,613,501 A *	3/1997	Michelson	A61F 5/3707	8,261,385 B2 *	9/2012	Mazzei	A61G 13/121
			5/637				5/622
D414,974 S *	10/1999	Marrone, II	D6/601	D690,016 S *	9/2013	Ratner	D24/184
5,960,494 A *	10/1999	Gilliland	A61G 13/12	8,549,683 B2 *	10/2013	Ratner	A61G 13/121
			5/638				128/845
D456,516 S *	4/2002	Cheshaek	D24/183	D718,074 S *	11/2014	Savolainen	D6/601
6,637,058 B1 *	10/2003	Lamb	A61G 13/12	9,095,489 B2 *	8/2015	Berry	A61G 13/12
			5/636	9,308,147 B2 *	4/2016	Davis	A61G 7/07
				D773,675 S *	12/2016	Bauman	D24/184
				2017/0079863 A1 *	3/2017	Vu	A61G 13/121

* cited by examiner

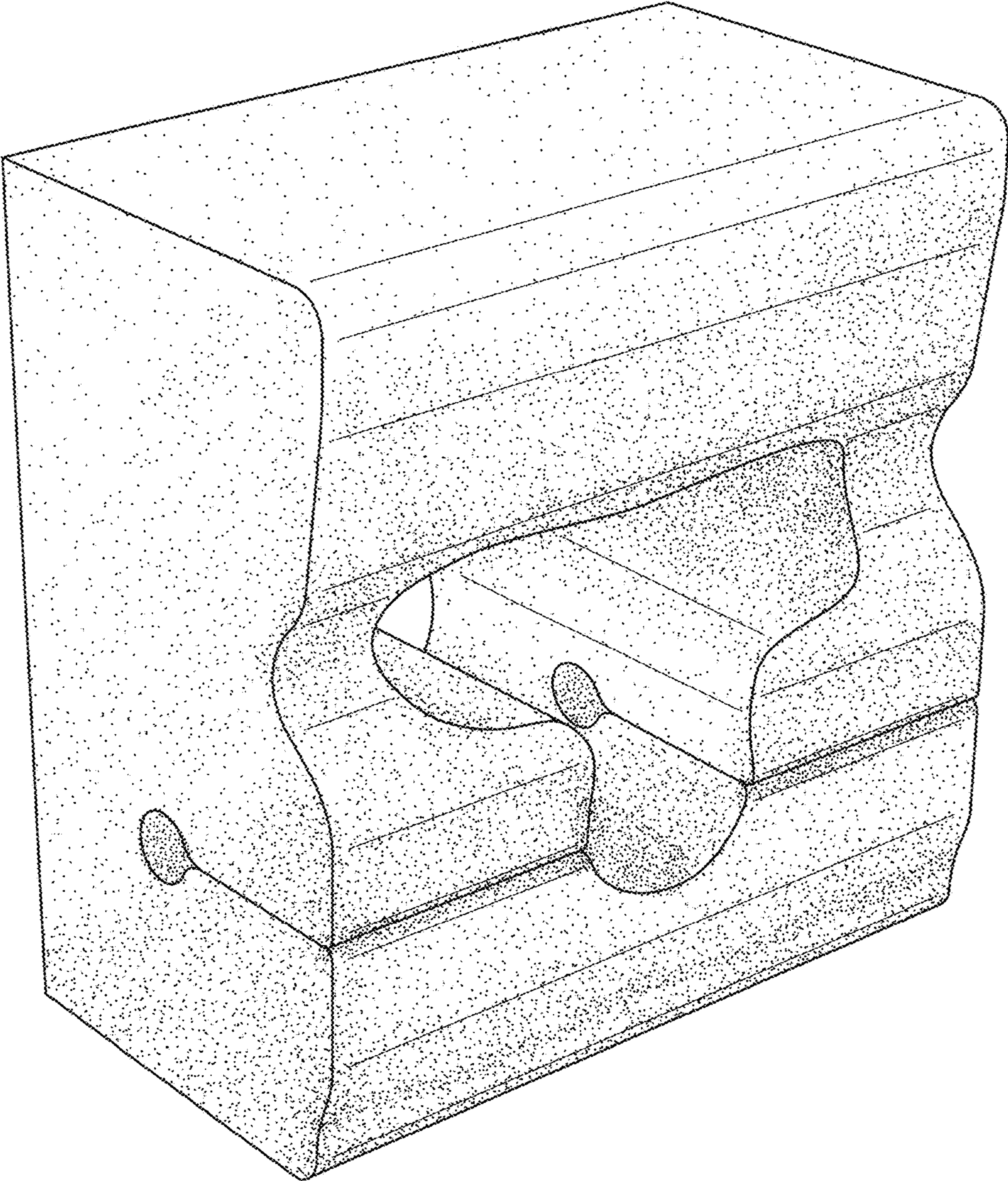


FIG. 1

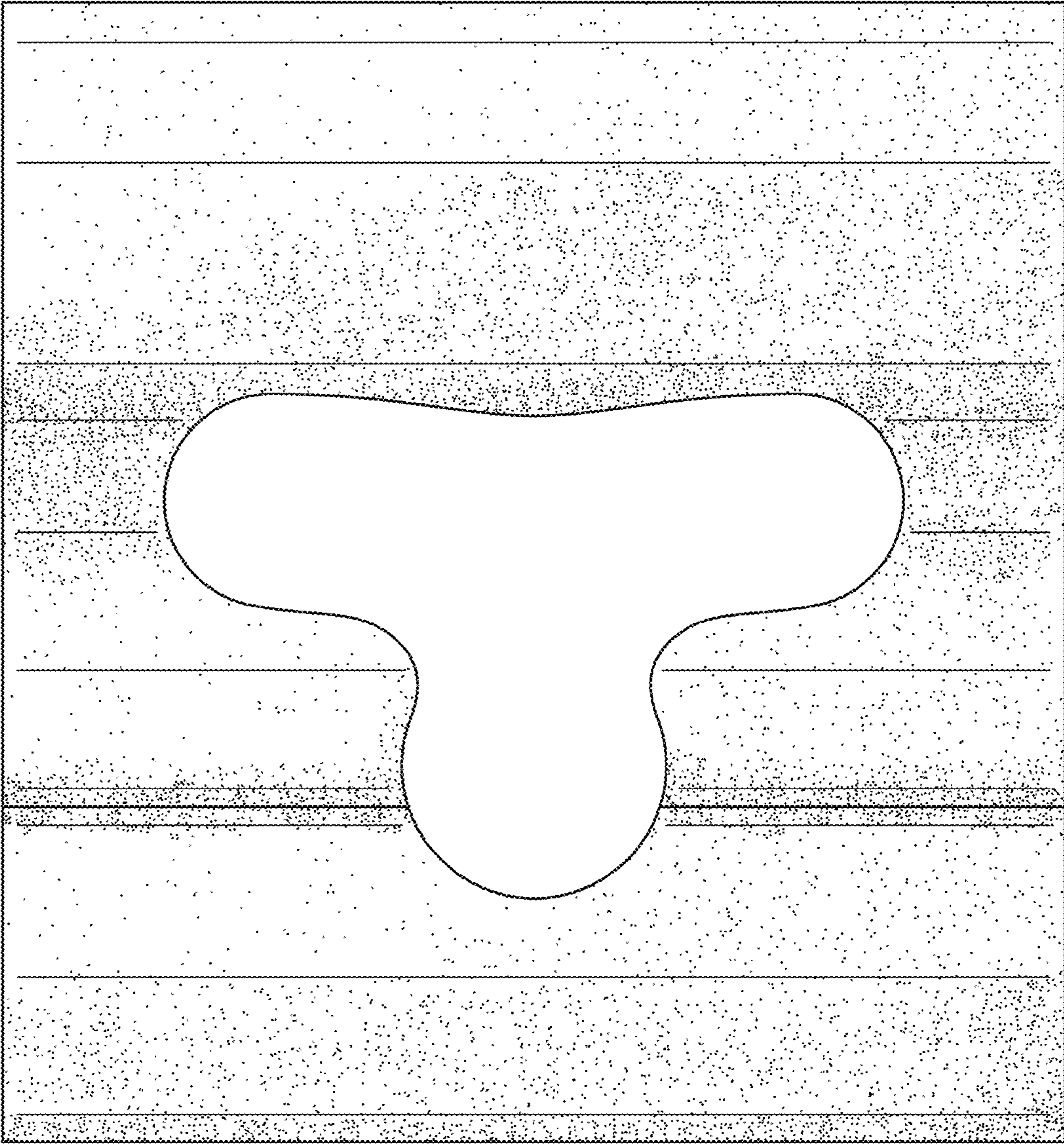


FIG. 2

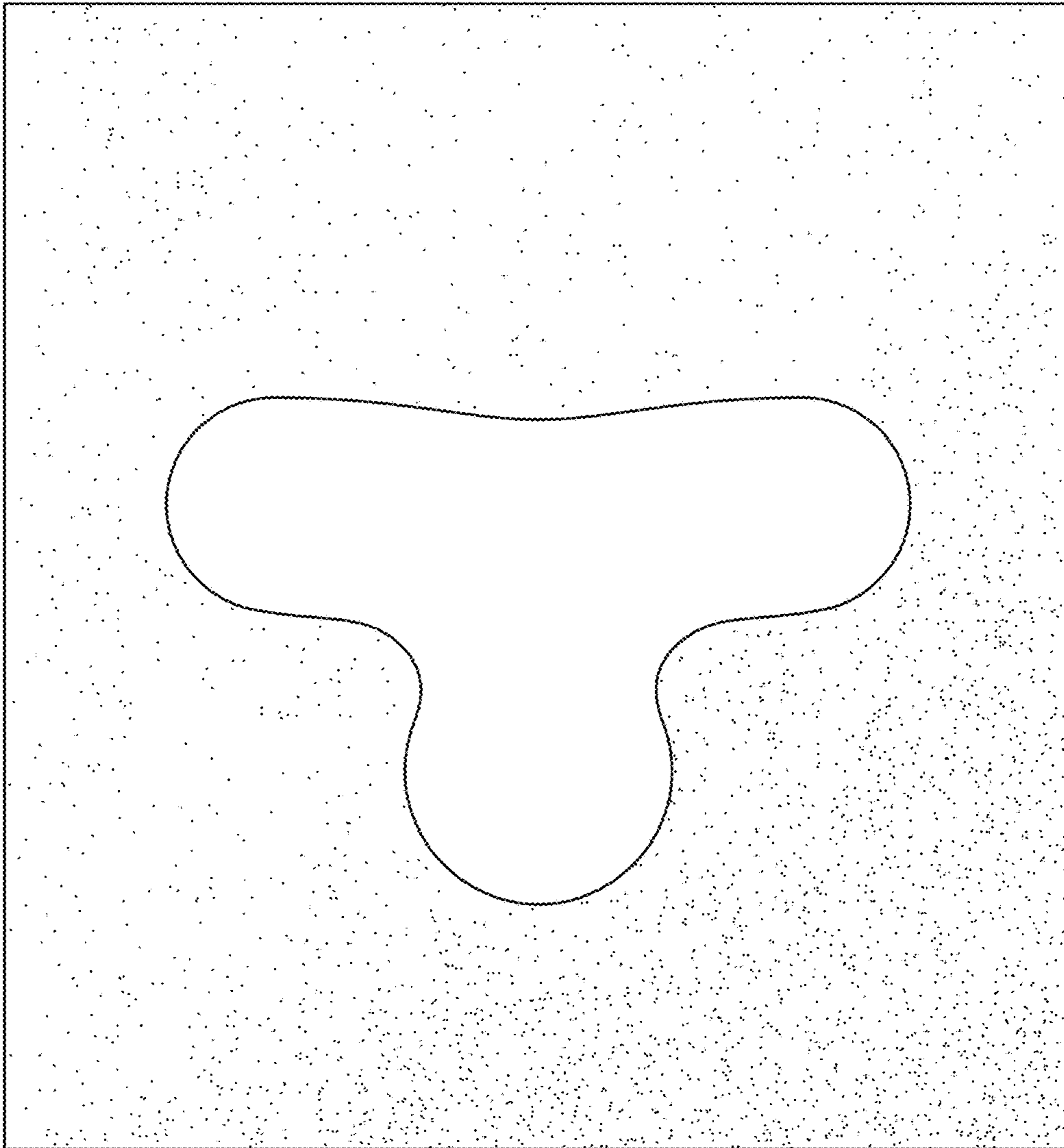


FIG. 3

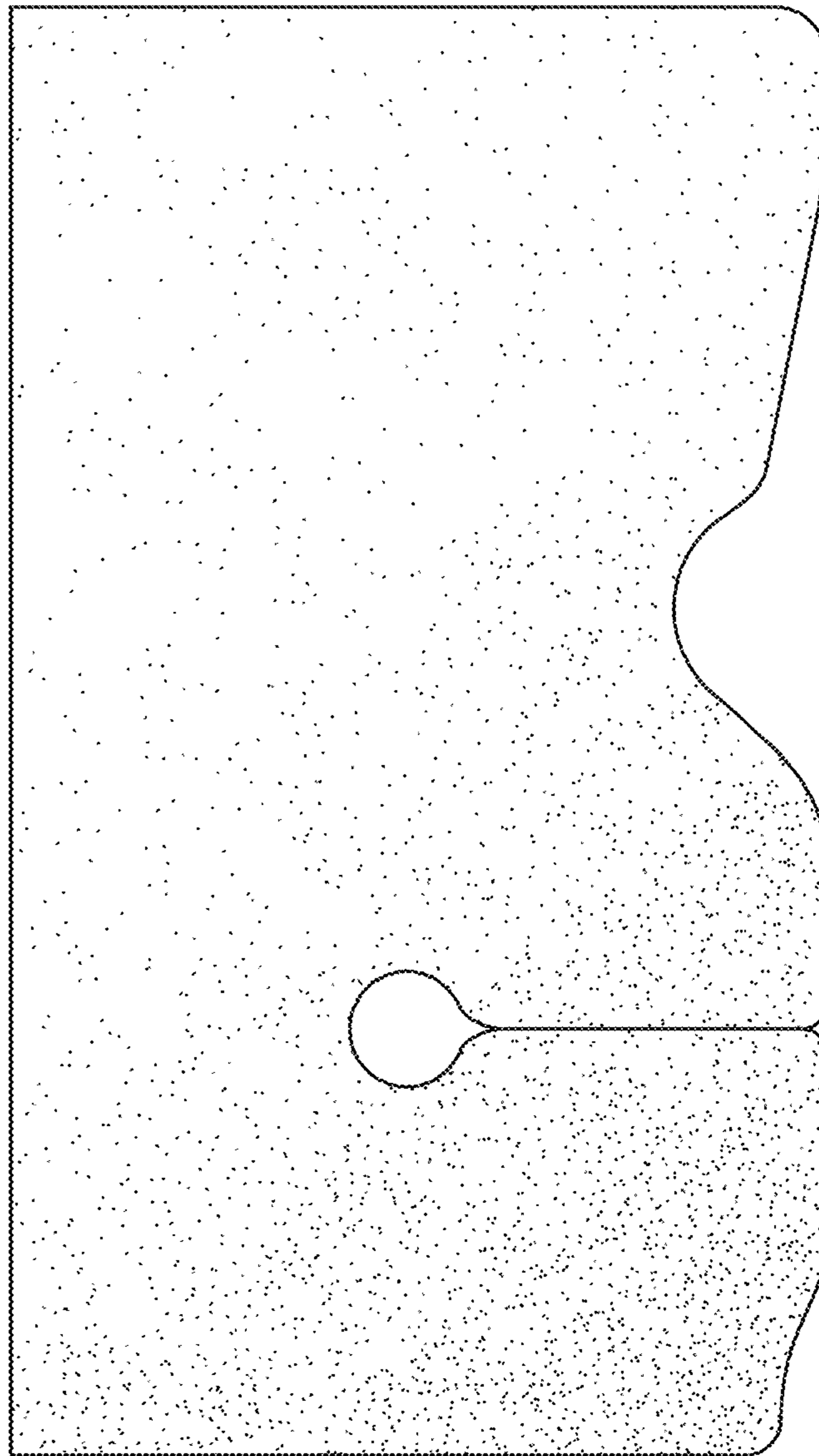


FIG. 4

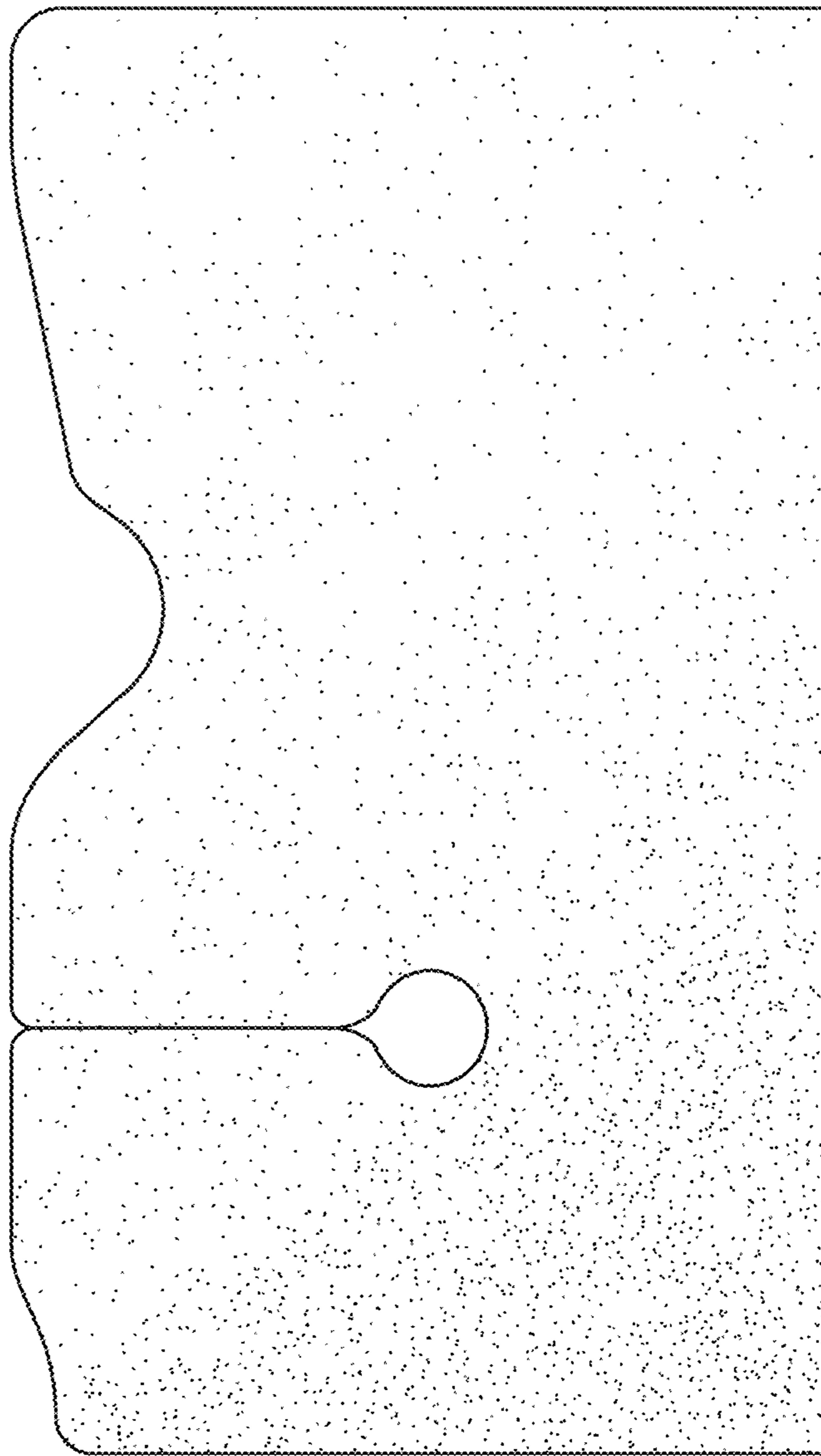


FIG. 5

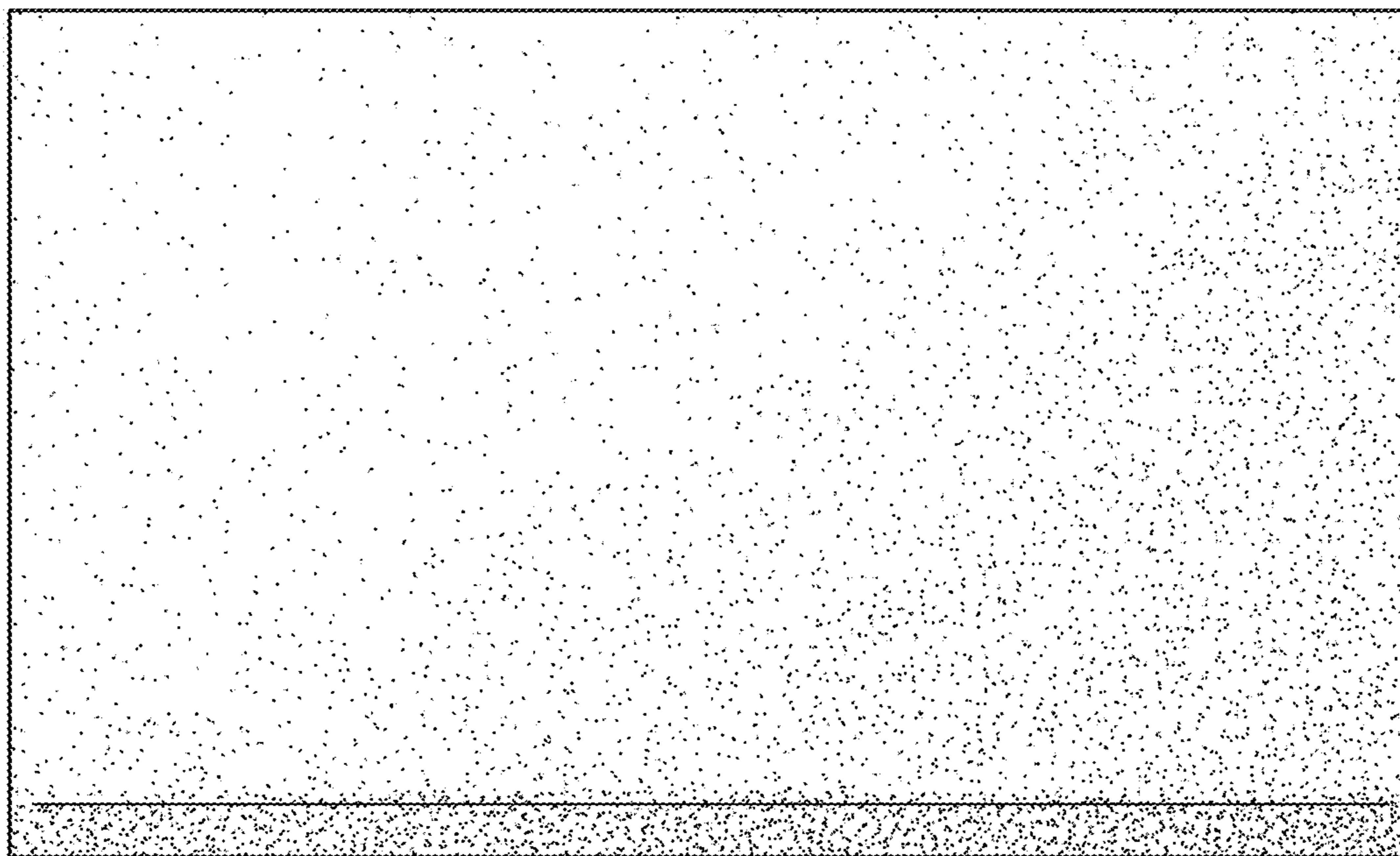


FIG. 6

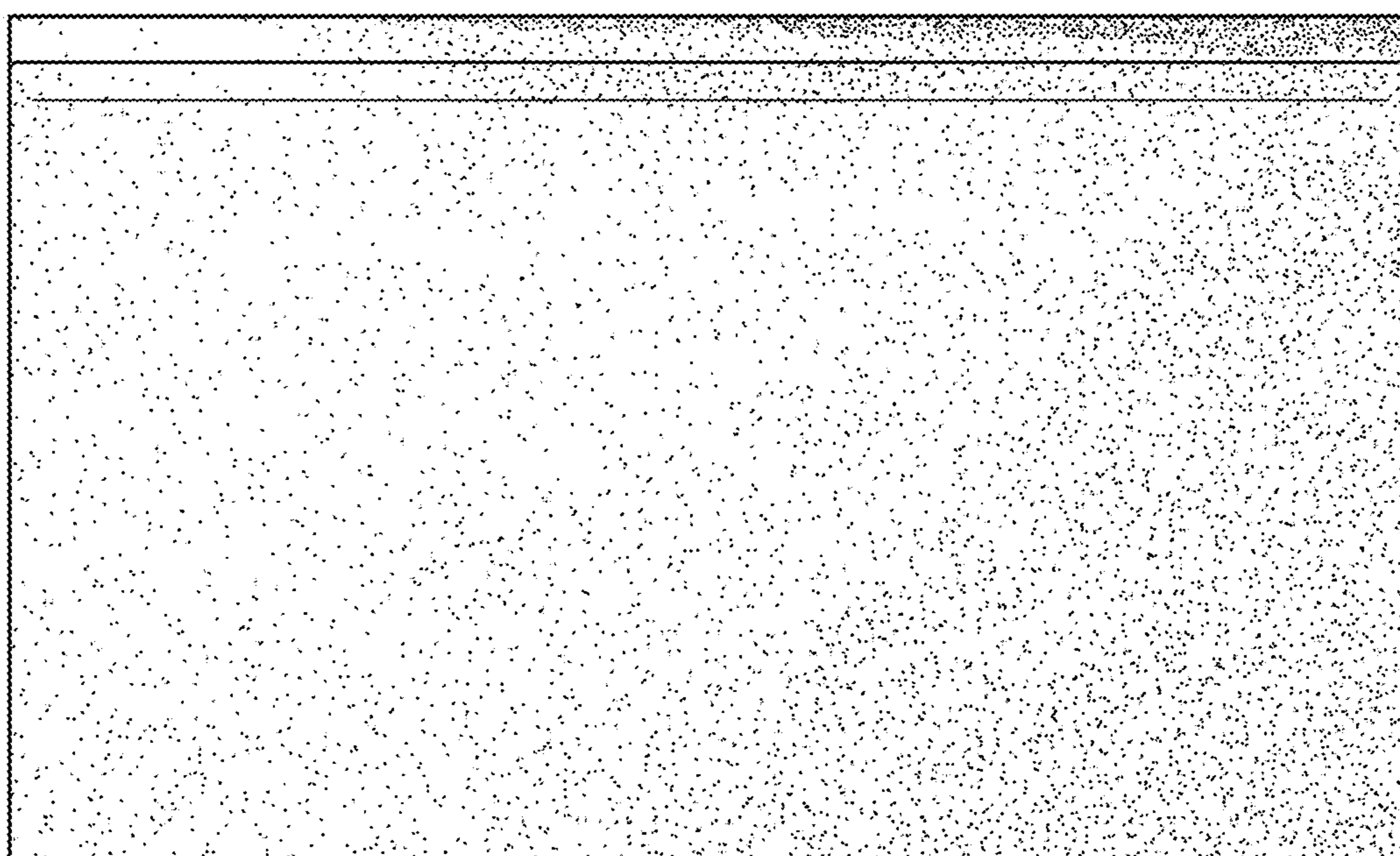


FIG. 7