



US00D813397S

(12) **United States Design Patent**  
**Kashiwabara et al.**

(10) **Patent No.:** **US D813,397 S**  
(45) **Date of Patent:** **\*\* Mar. 20, 2018**

(54) **DENTAL TRAY RETAINER**  
(71) Applicant: **GC Corporation**, Shizuoka (JP)  
(72) Inventors: **Kazuhisa Kashiwabara**, Tokyo (JP);  
**Takayuki Michii**, Tokyo (JP)  
(73) Assignee: **GC Corporation**, Shizuoka (JP)  
(\*\*) Term: **15 Years**  
(21) Appl. No.: **29/594,579**  
(22) Filed: **Feb. 21, 2017**

(30) **Foreign Application Priority Data**  
Sep. 8, 2016 (JP) ..... 2016-019414  
(51) **LOC (11) Cl.** ..... **24-02**  
(52) **U.S. Cl.**  
USPC ..... **D24/181**  
(58) **Field of Classification Search**  
USPC ..... D24/180-182, 176  
CPC ..... A61C 9/00; A61C 9/0006; A61C 19/00;  
A61C 19/066  
See application file for complete search history.

(56) **References Cited**  
**U.S. PATENT DOCUMENTS**  
4,146,963 A \* 4/1979 Schreinemakers .. A61C 9/0006  
433/37  
D372,096 S \* 7/1996 Frush ..... D24/181  
6,231,339 B1 \* 5/2001 Skarky ..... A61C 9/00  
433/140  
6,398,550 B1 \* 6/2002 Caritg ..... A61C 9/0006  
433/37  
7,021,929 B2 \* 4/2006 DiMarino ..... A61C 9/0006  
433/37

7,871,269 B2 \* 1/2011 Wu ..... A61C 9/0006  
433/214  
D632,395 S \* 2/2011 Massad ..... D24/181  
D686,733 S \* 7/2013 Marumori ..... D24/181  
D706,937 S \* 6/2014 Suga ..... D24/181  
8,784,100 B2 \* 7/2014 Marumori ..... A61C 9/0006  
433/37  
D795,440 S \* 8/2017 Way ..... D24/181  
2006/0201520 A1 \* 9/2006 Christensen, III ... A61C 9/0006  
128/848  
2012/0064477 A1 \* 3/2012 Schmitt ..... A61C 9/0006  
433/29  
2012/0148978 A1 \* 6/2012 Suchan ..... A61C 9/0006  
433/38

\* cited by examiner

*Primary Examiner* — Wan Laymon  
(74) *Attorney, Agent, or Firm* — IPUSA, PLLC

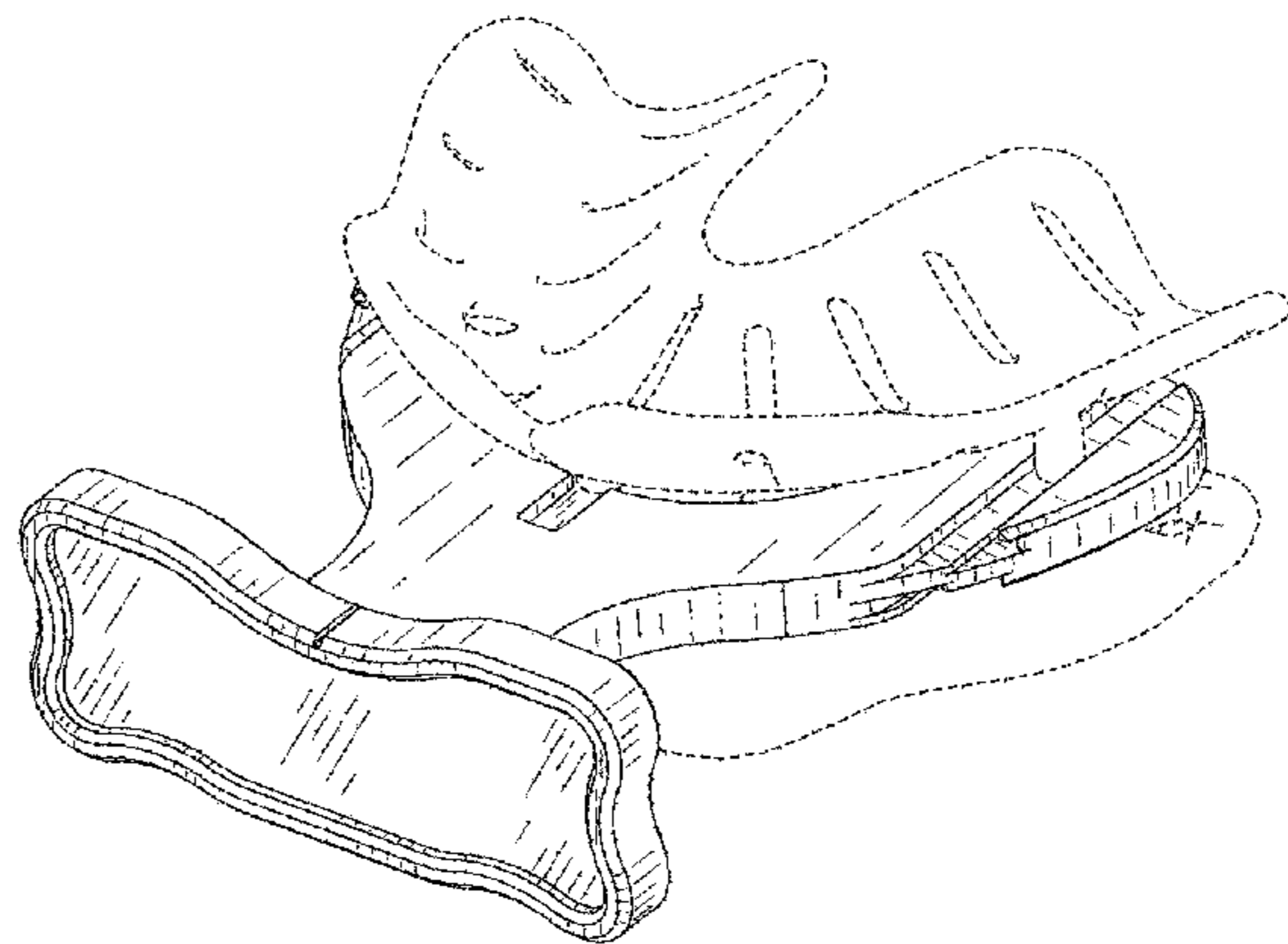
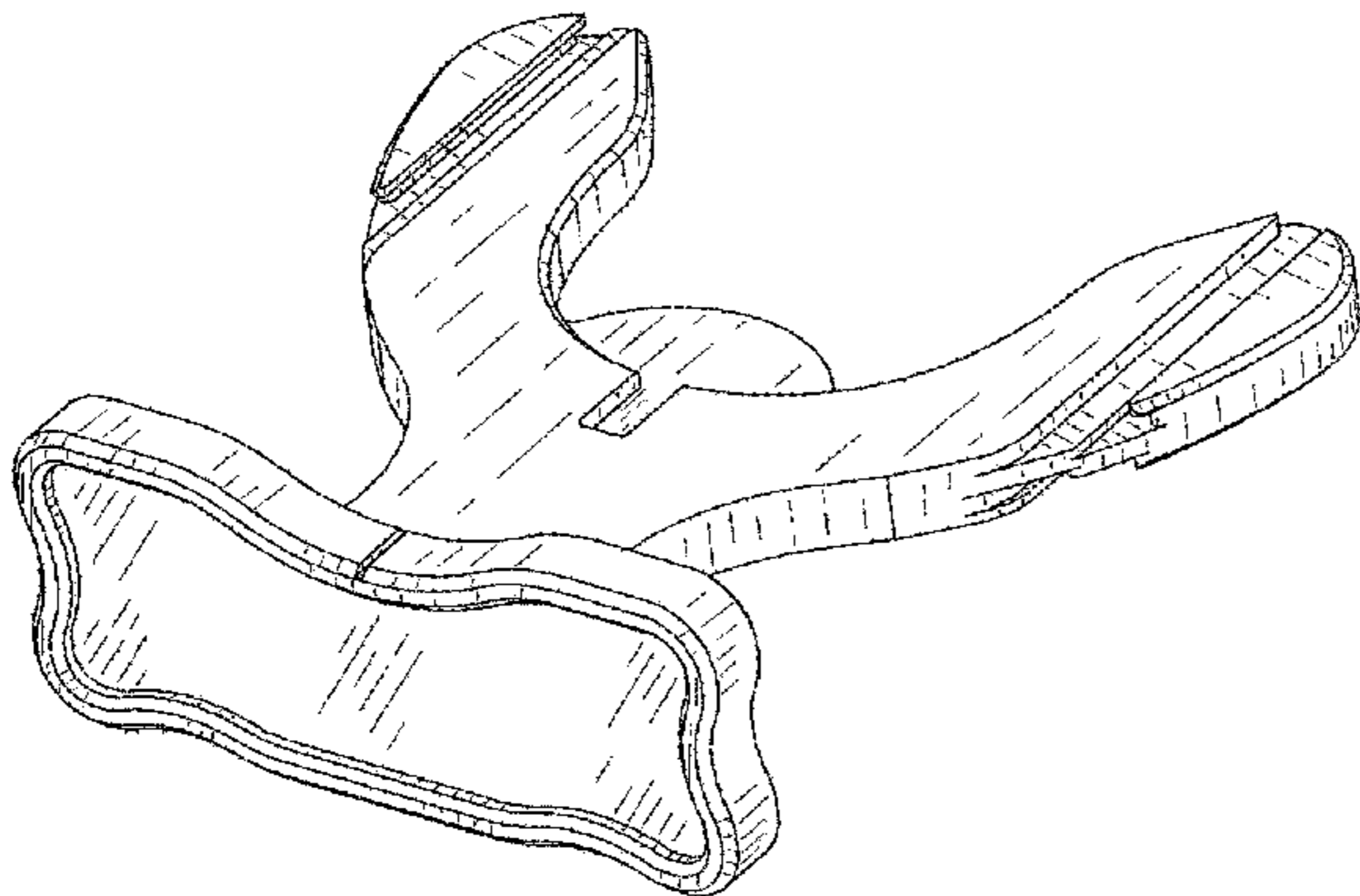
(57) **CLAIM**

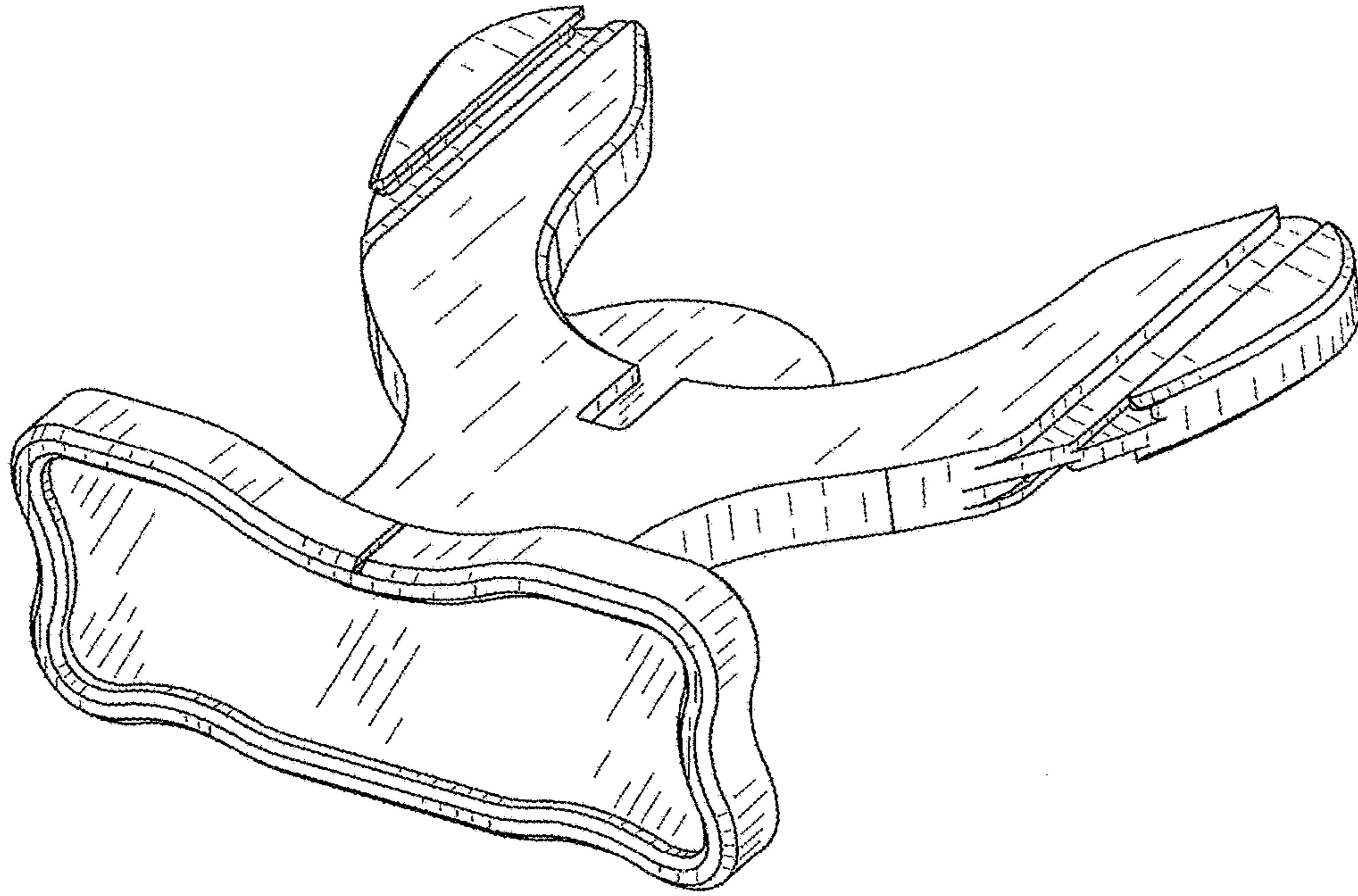
The ornamental design for a dental tray retainer, as shown and described.

**DESCRIPTION**

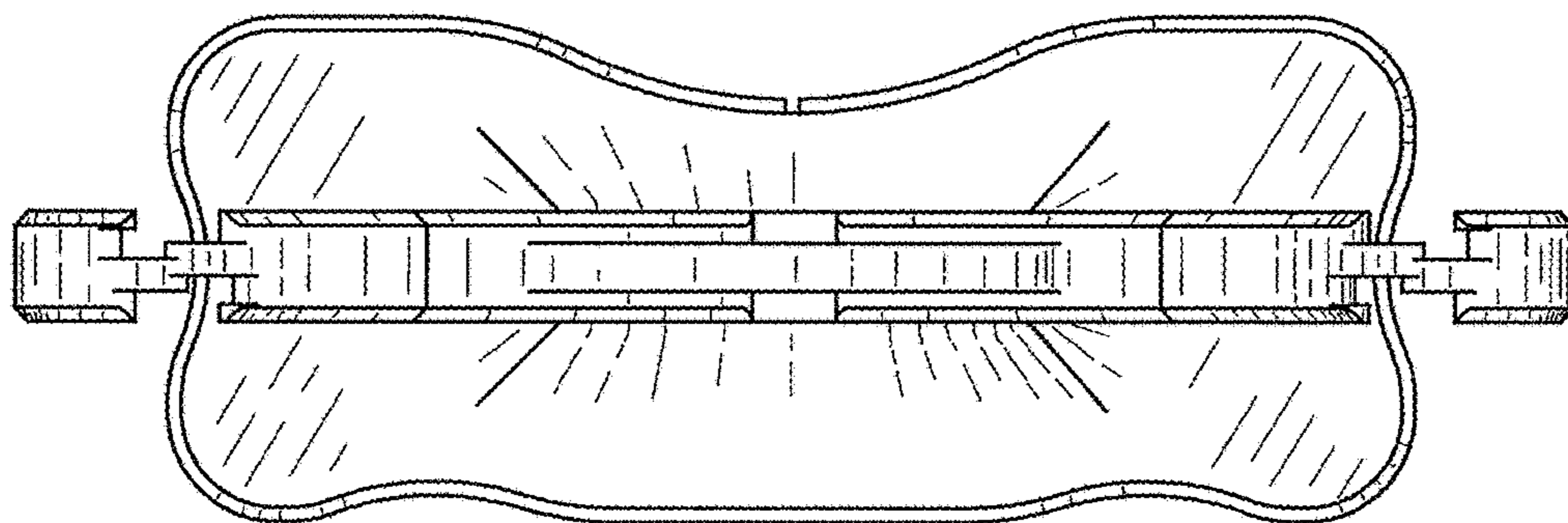
FIG. 1 is a perspective view of a dental tray retainer, showing our new design;  
FIG. 2 is a front view thereof;  
FIG. 3 is a rear view thereof;  
FIG. 4 is a top plan view thereof;  
FIG. 5 is a bottom view thereof;  
FIG. 6 is a right side view thereof;  
FIG. 7 is a left side view thereof; and,  
FIG. 8 is a perspective view thereof, shown in a state of use. The broken lines depict environmental structure and form no part of the claimed design.

**1 Claim, 4 Drawing Sheets**

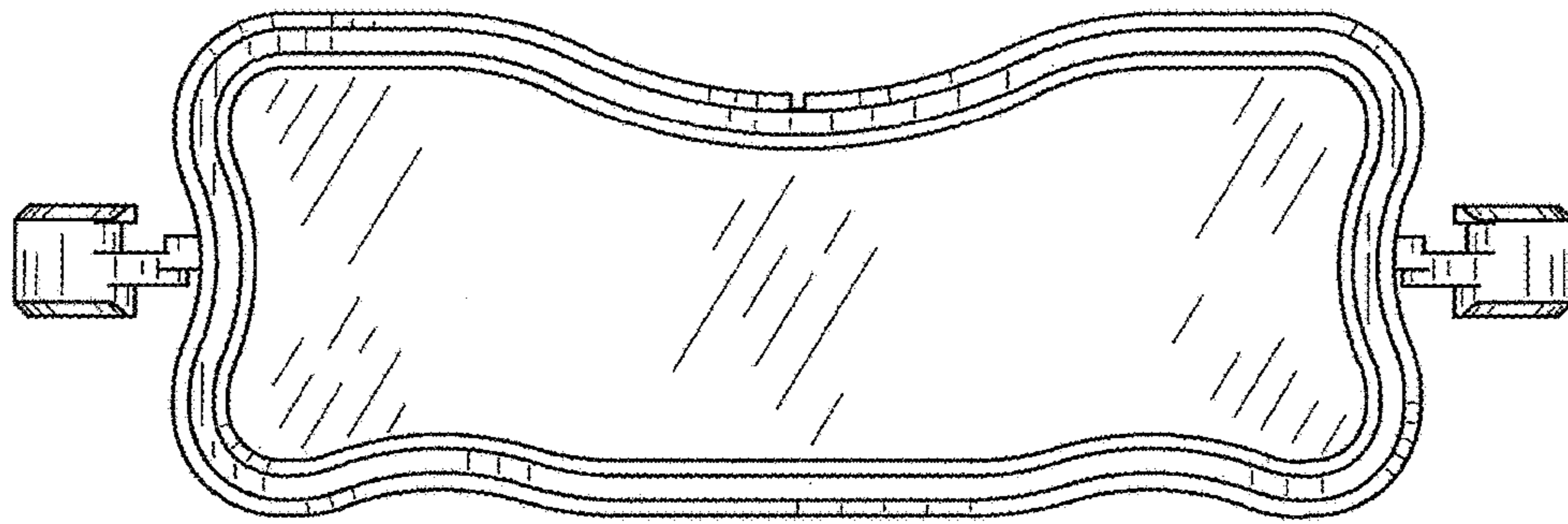




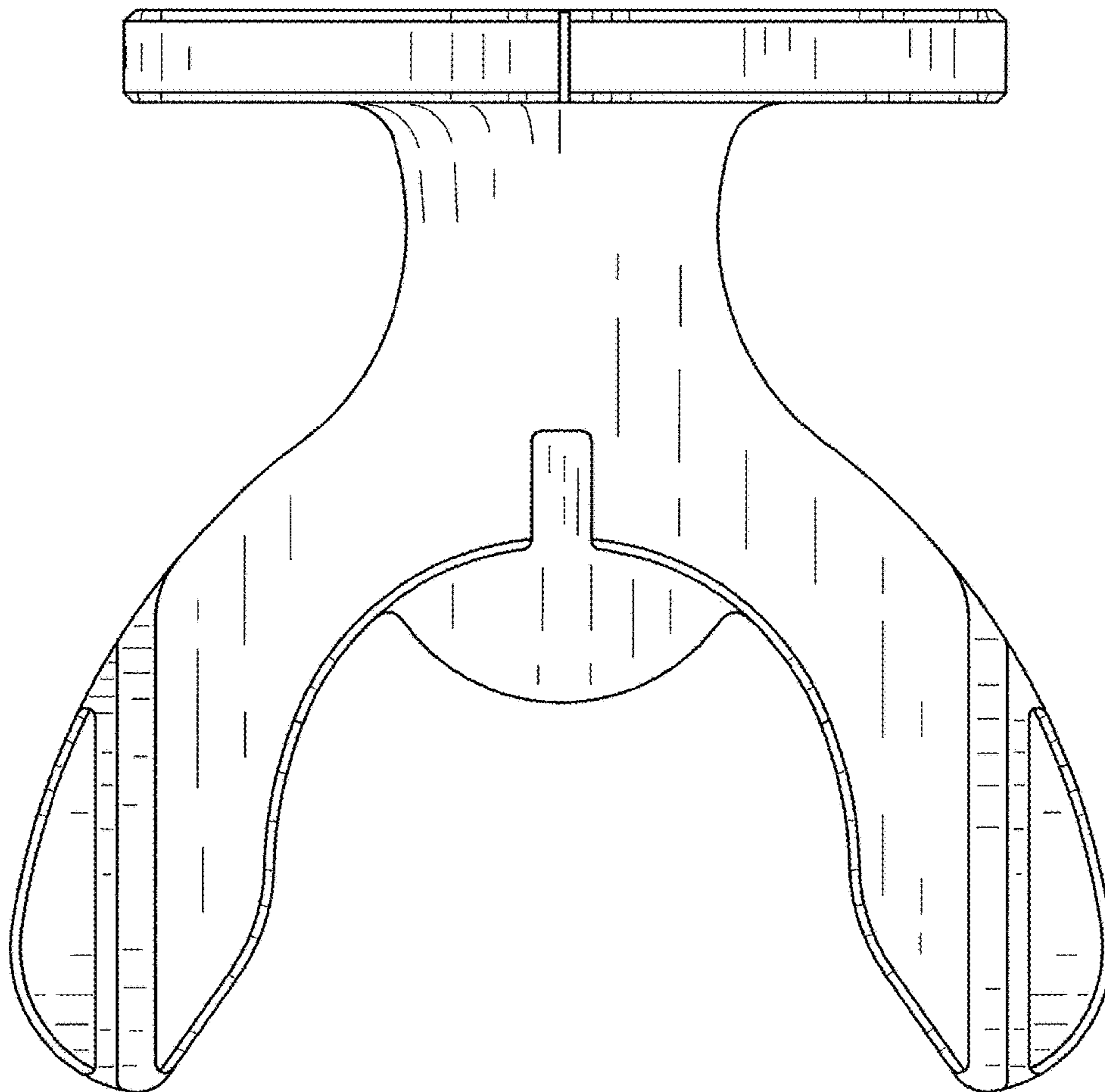
*FIG. 1*



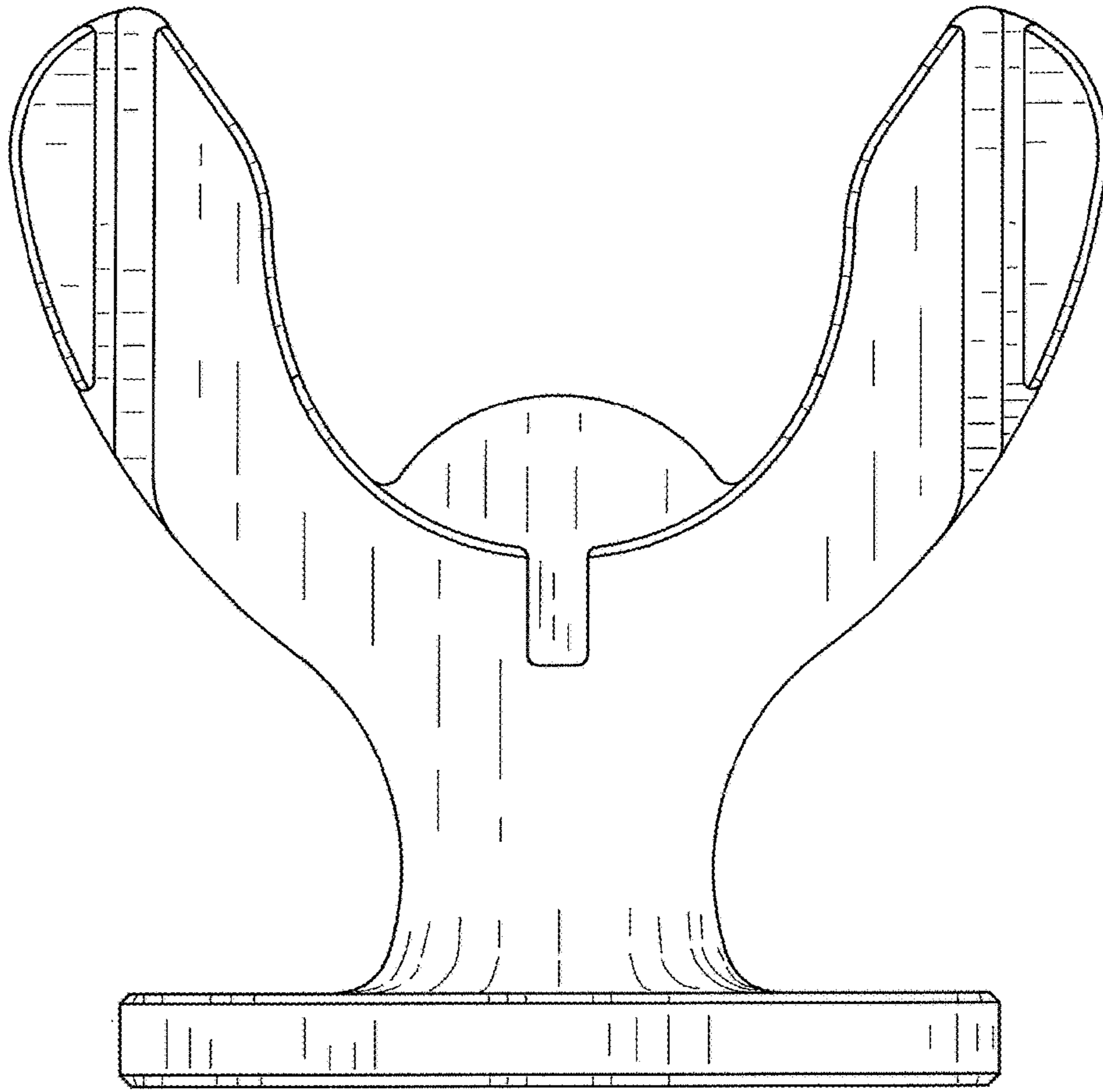
*FIG. 2*



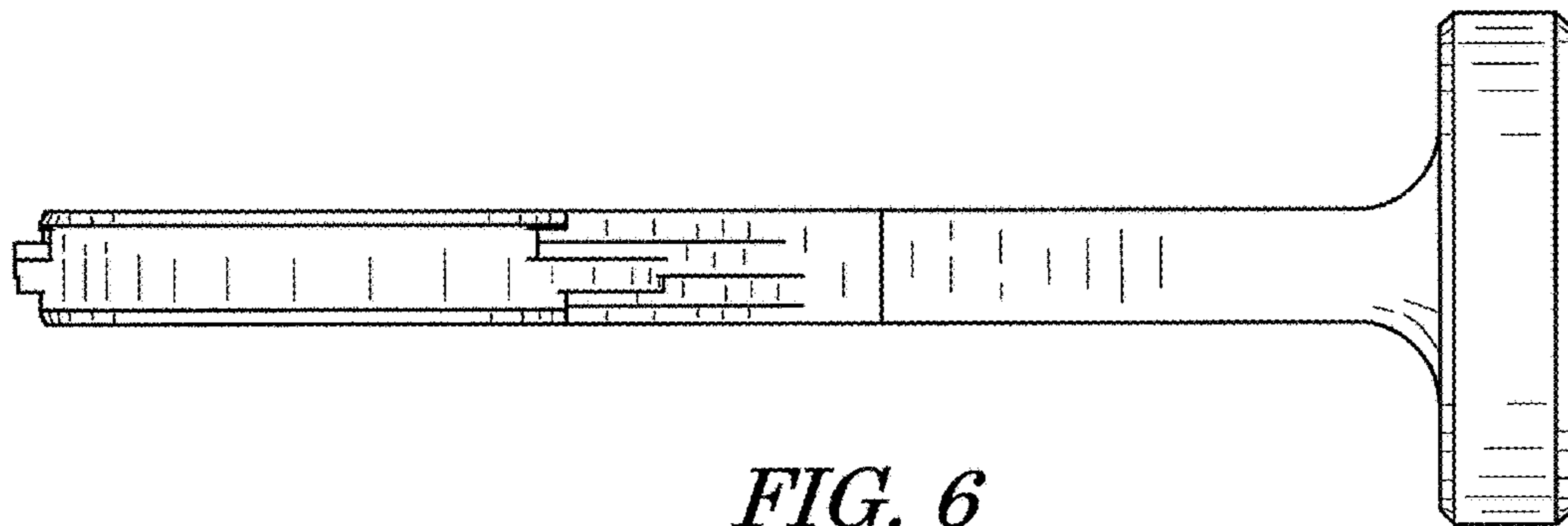
*FIG. 3*



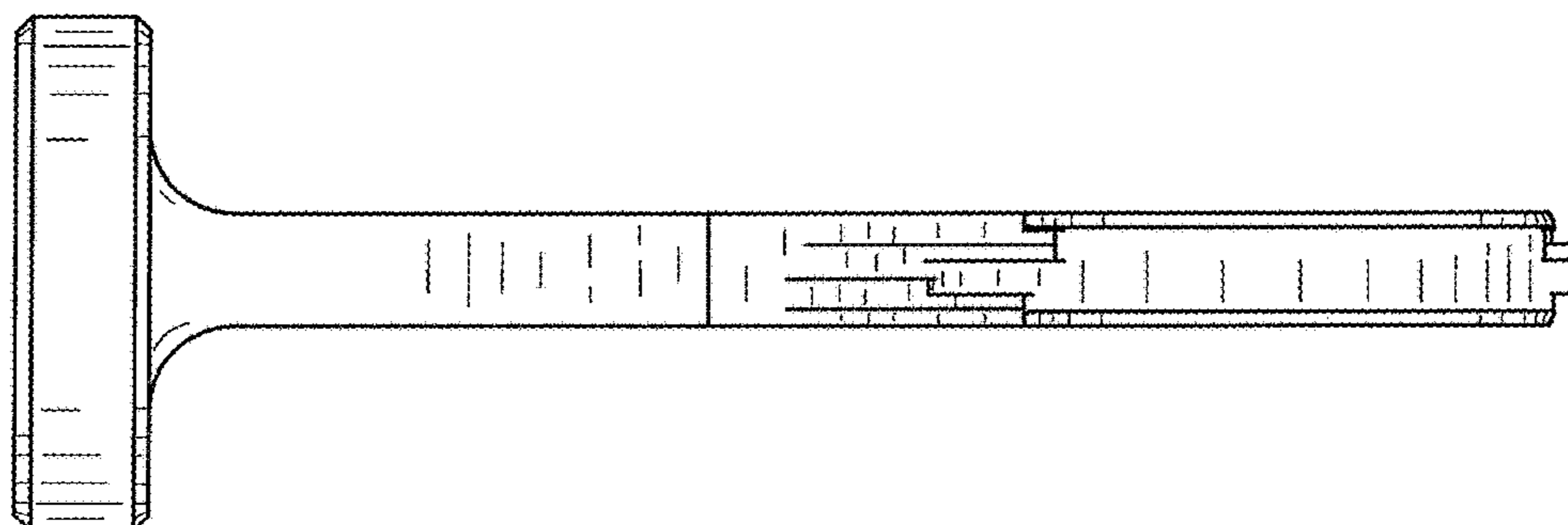
*FIG. 4*



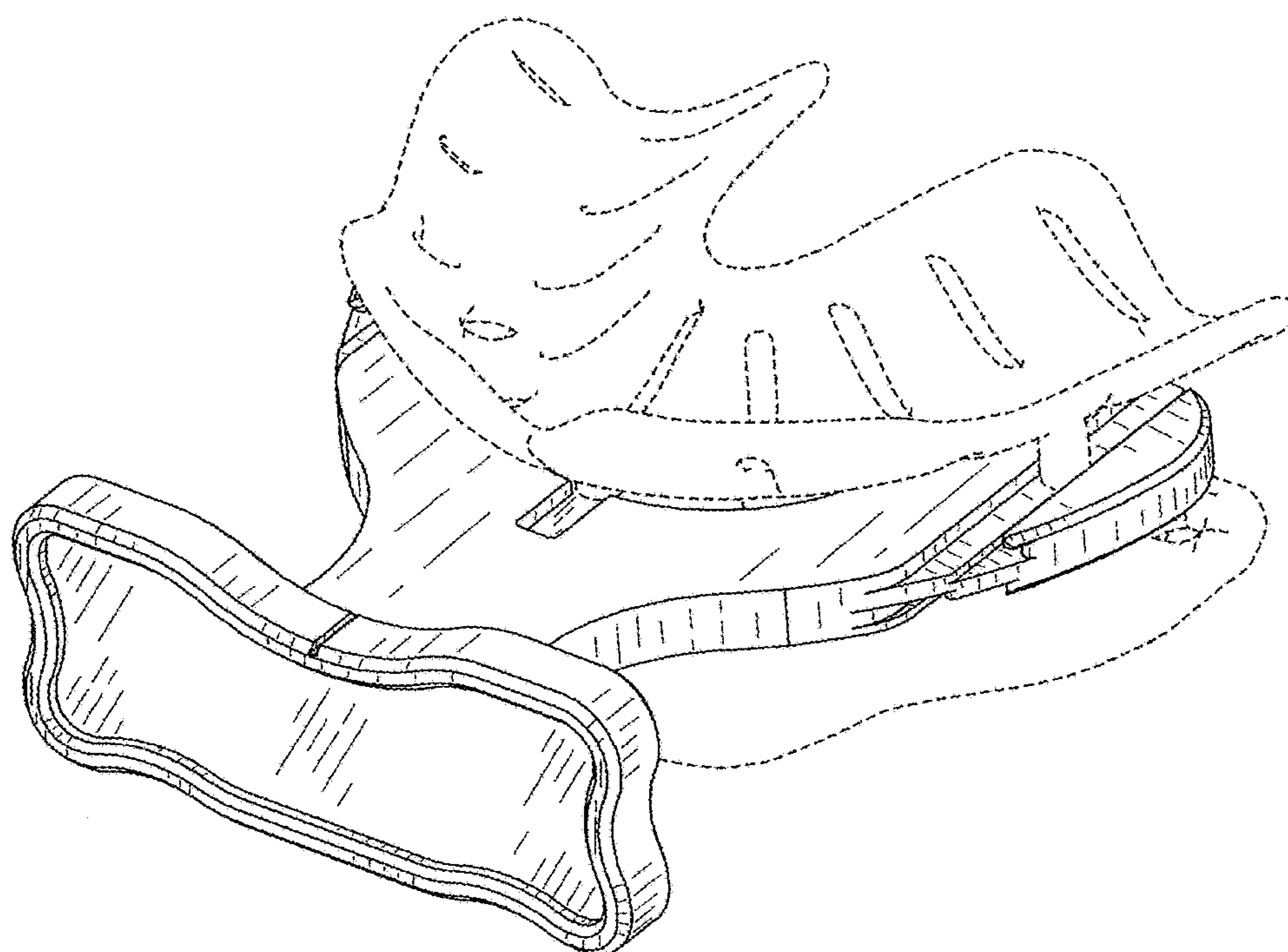
*FIG. 5*



*FIG. 6*



*FIG. 7*



*FIG. 8*