



US00D813395S

(12) **United States Design Patent**
Senior

(10) **Patent No.:** **US D813,395 S**

(45) **Date of Patent:** **** Mar. 20, 2018**

(54) **ELONGATE GUIDE ELEMENT**

(71) Applicant: **Xiros Limited**, Leeds, Yorkshire (GB)

(72) Inventor: **Martin Russell Senior**, Wetherby (GB)

(73) Assignee: **XIROS LIMITED**, Leeds, Yorkshire (GB)

(**) Term: **15 Years**

(21) Appl. No.: **29/601,951**

(22) Filed: **Apr. 27, 2017**

(30) **Foreign Application Priority Data**

Oct. 27, 2016 (EM) 003436666-0001

(51) **LOC (11) Cl.** **24-02**

(52) **U.S. Cl.**
USPC **D24/155**

(58) **Field of Classification Search**
USPC D24/155-157
CPC A61B 17/8061; A61B 17/7059; A61B 17/8052; A61B 17/8605; A61B 17/8085; A61B 17/809; A61B 17/8014; A61B 17/8033; A61B 17/8004; A61B 17/888; A61B 17/842; A61B 17/8023; A61B 17/8009; A61B 17/86; A61B 17/1739; A61B 17/8066; A61B 17/1671; A61B 17/1757; A61B 17/8071; A61B 17/176; A61B 2017/1782; A61B 2017/1775

See application file for complete search history.

(56) **References Cited**

U.S. PATENT DOCUMENTS

D480,141 S *	9/2003	Benirschke	D24/155
D520,637 S *	5/2006	Kay	D24/155
D630,750 S *	1/2011	Graham	D24/155
D648,027 S *	11/2011	Vancelette	D24/155
8,118,846 B2 *	2/2012	Leither	A61B 17/8057 606/280
D699,351 S *	2/2014	Podgorski	D24/155

* cited by examiner

Primary Examiner — Charles Hanson

(74) *Attorney, Agent, or Firm* — Stoel Rives LLP

(57) **CLAIM**

I claim the ornamental design for an elongate guide element, as shown and described.

DESCRIPTION

FIG. 1 is a perspective view of an elongate guide element. FIG. 2 is a plan view of one end of the elongate guide element.

FIG. 3 is a plan view of an opposing end of the elongate guide element.

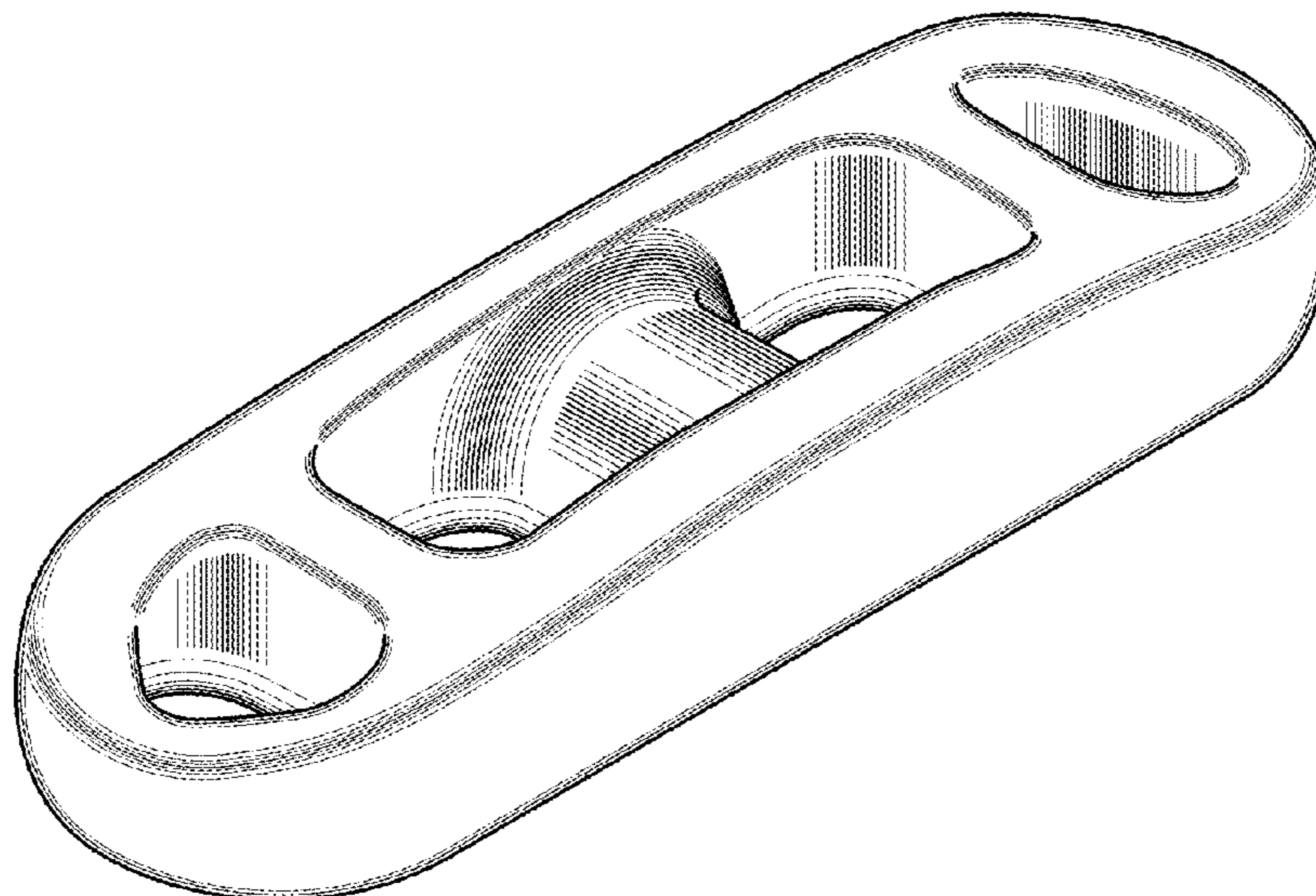
FIG. 4 is a plan view of top side of the elongate guide element.

FIG. 5 is a plan view of the bottom side of the elongate guide element.

FIG. 6 is a plan view of a side of the elongate guide element; and,

FIG. 7 is a plan view of the opposing side of the elongate guide element.

1 Claim, 4 Drawing Sheets



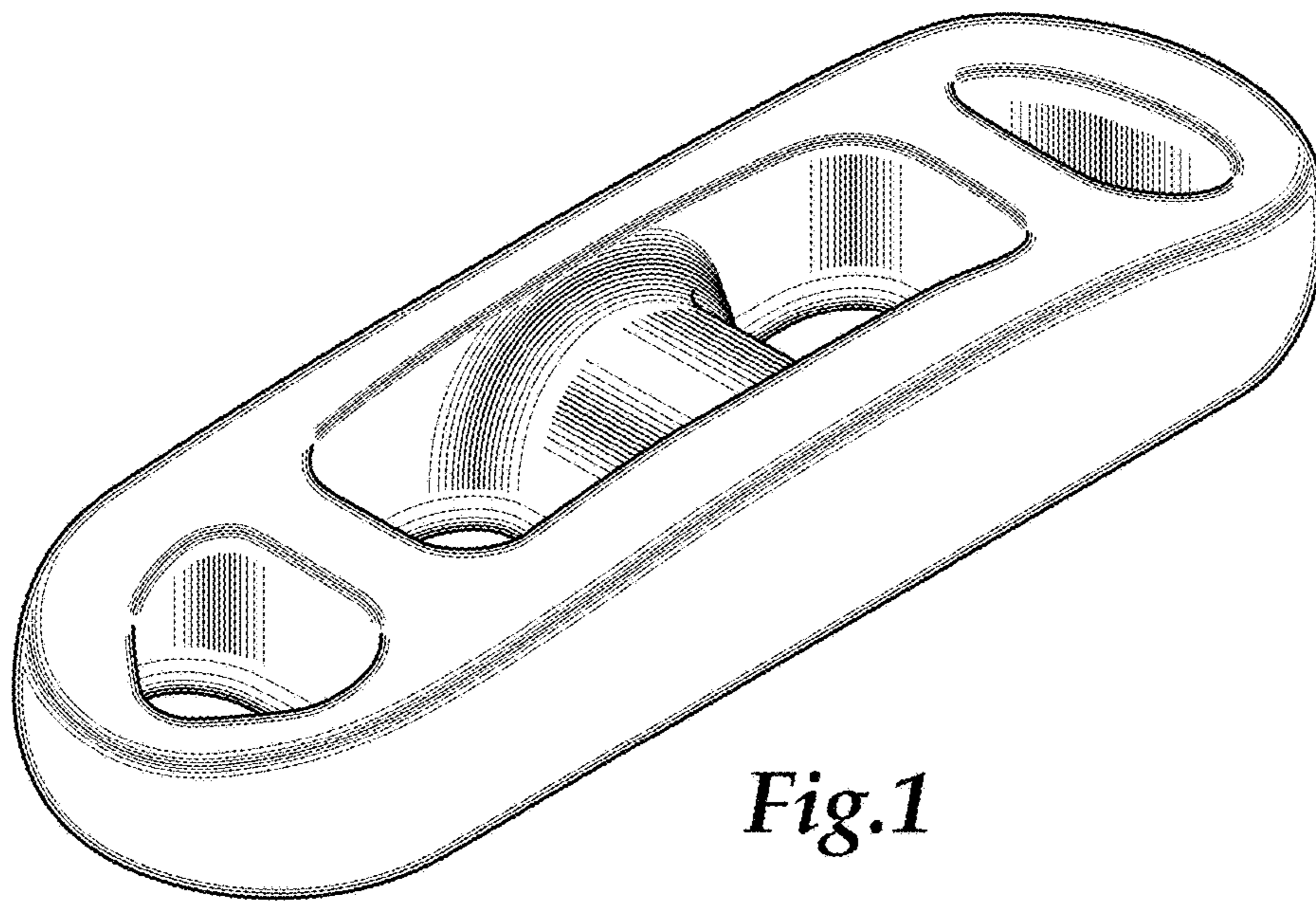


Fig. 1

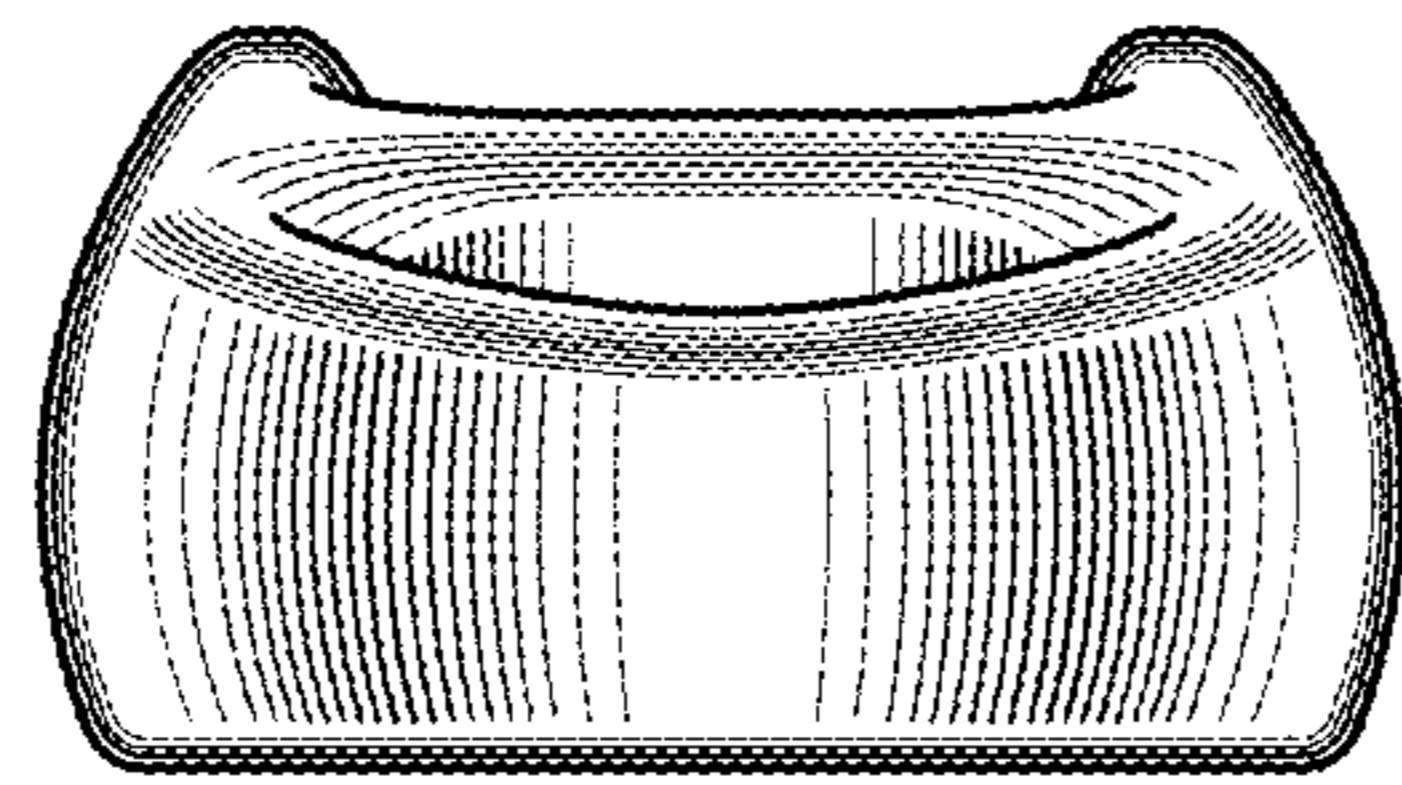


Fig.2

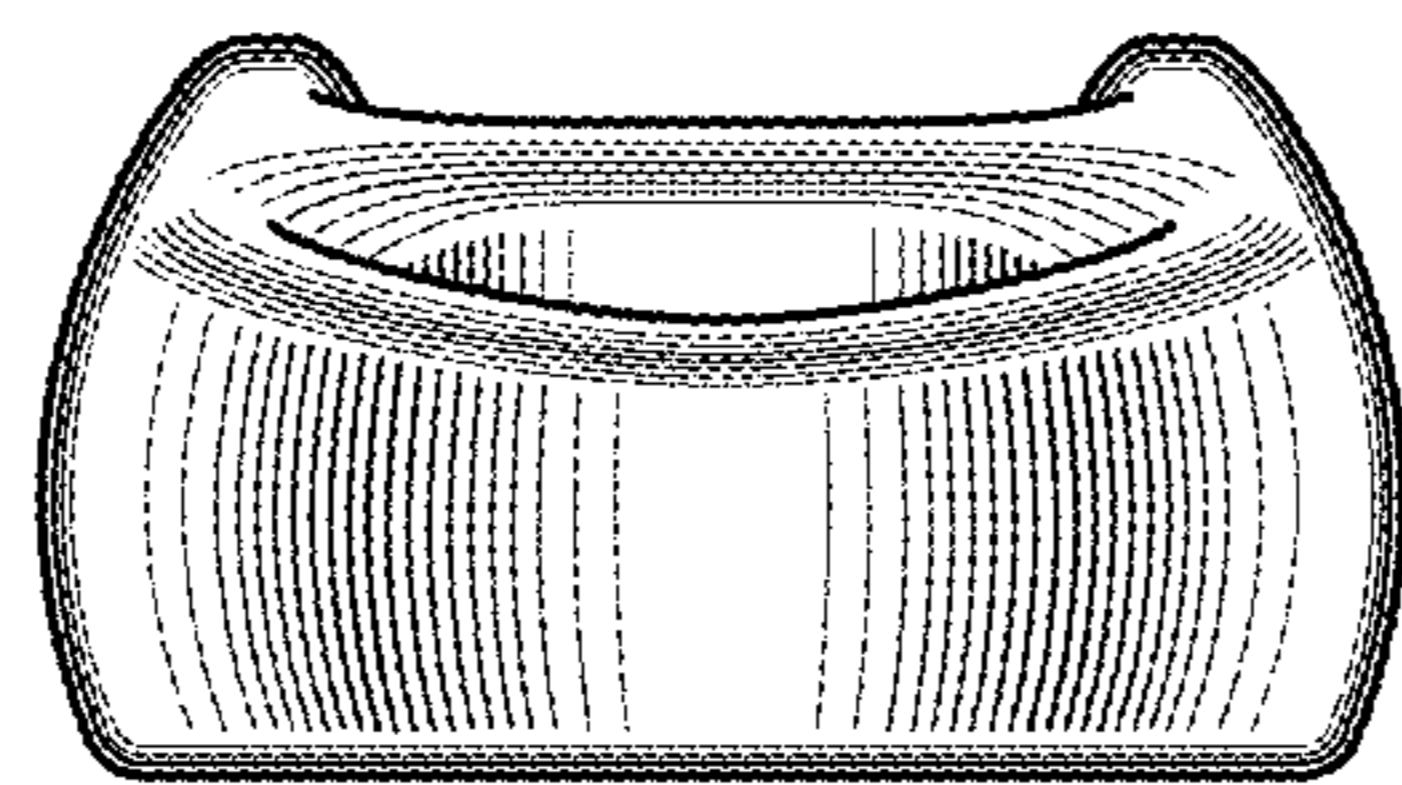


Fig.3

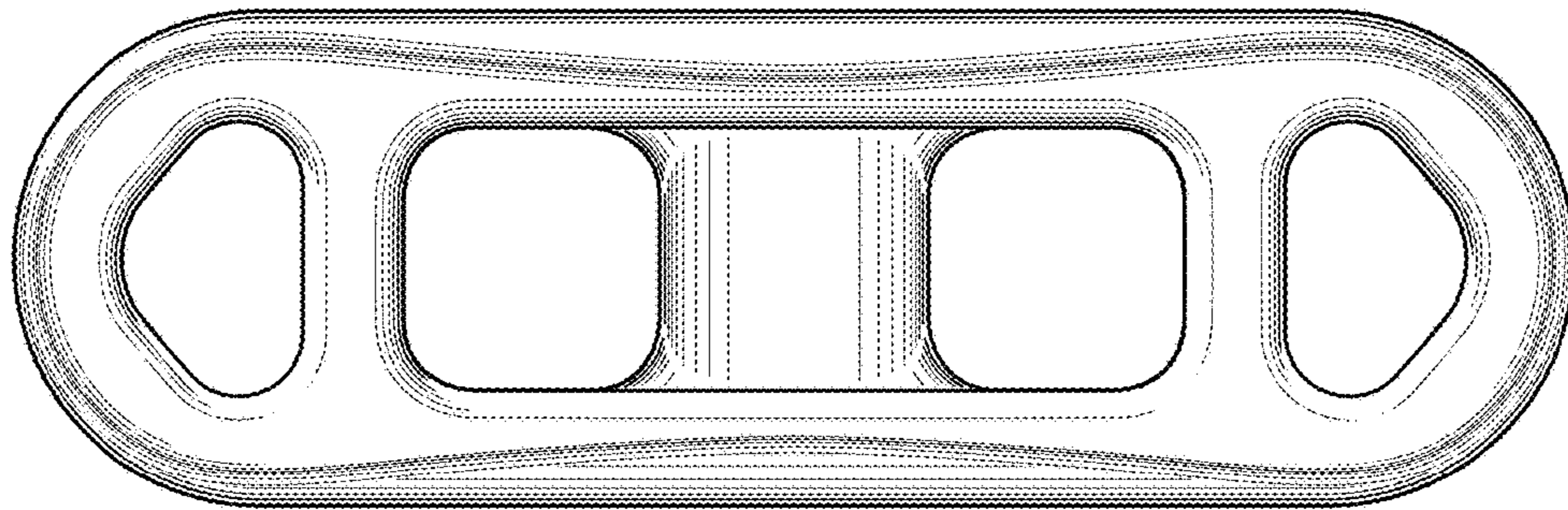


Fig.4

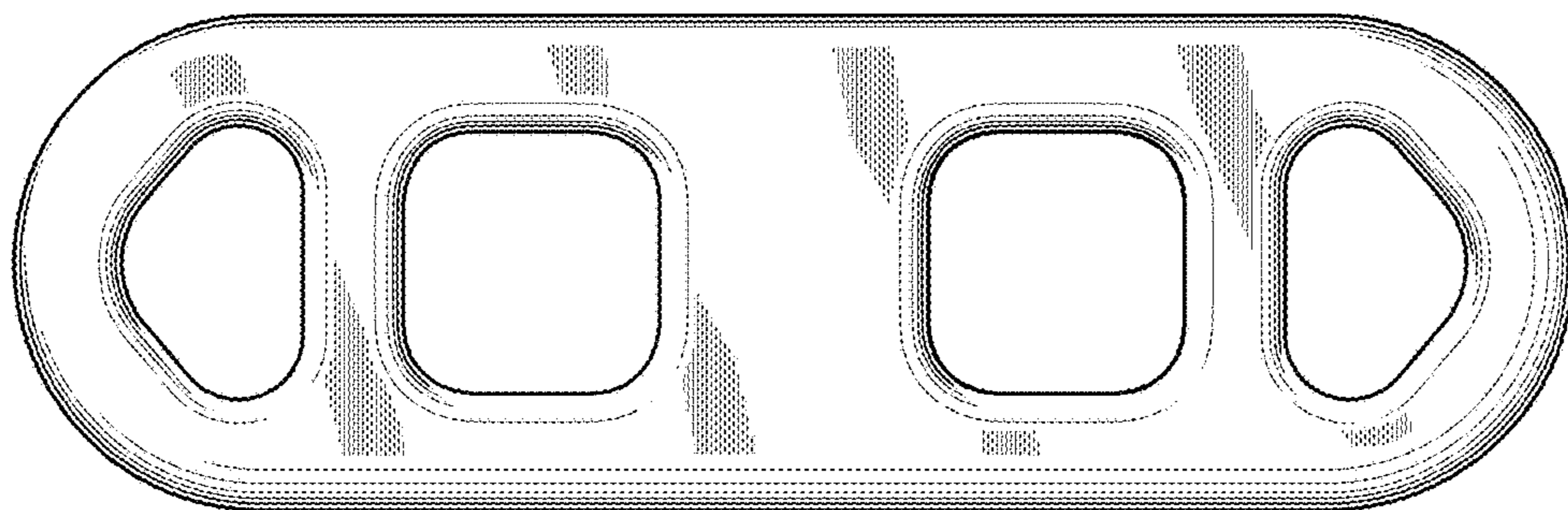


Fig.5

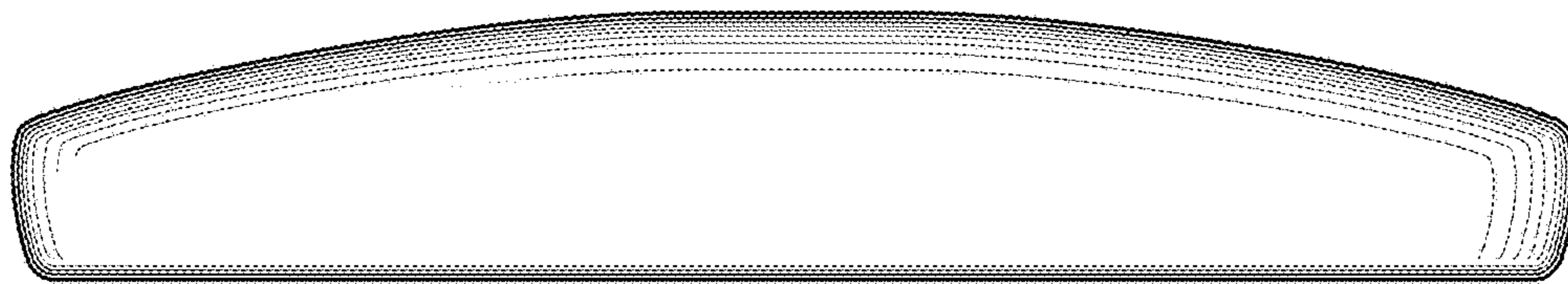


Fig.6

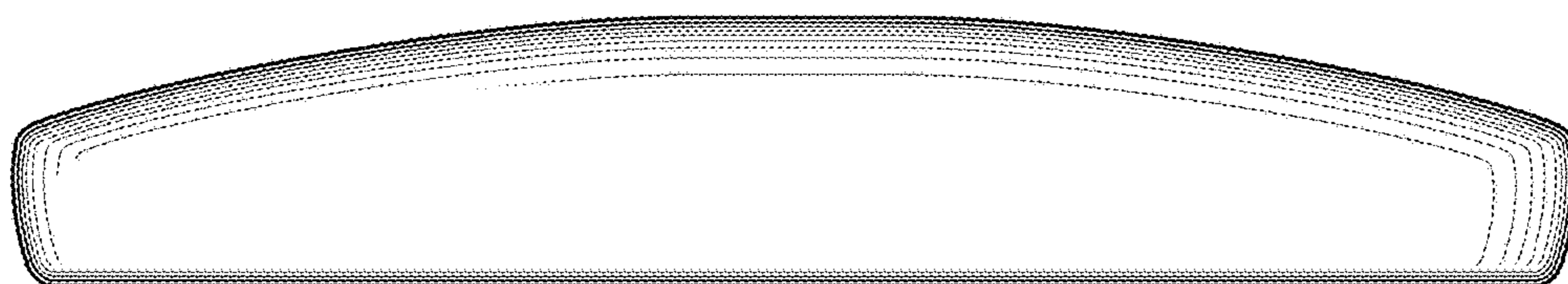


Fig.7