



US00D813391S

(12) **United States Design Patent**
Duncan et al.

(10) **Patent No.:** **US D813,391 S**
(45) **Date of Patent:** **** Mar. 20, 2018**

- (54) **DENTAL CART SYSTEM**
- (71) Applicant: **BIOLASE, INC.**, Irvine, CA (US)
- (72) Inventors: **Matt Duncan**, San Clemente, CA (US);
Dmitri Boutoussov, Dana Point, CA (US)
- (73) Assignee: **BIOLASE, INC.**, Irvine, CA (US)
- (**) Term: **15 Years**
- (21) Appl. No.: **29/571,689**
- (22) Filed: **Jul. 20, 2016**
- (51) **LOC (11) Cl.** **24-02**
- (52) **U.S. Cl.**
USPC **D24/152**; D24/177
- (58) **Field of Classification Search**
USPC D24/176–177, 179, 185–186, 232, 144,
D24/152; D34/20, 5–6; 433/77
CPC A61G 15/14; A61G 15/16; A61C 1/0053;
A61C 1/0084; A61C 1/0046; A61C
1/0061
See application file for complete search history.

D622,397 S *	8/2010	Bukoski	D24/177
D627,070 S *	11/2010	Staufenberg	D24/177
D639,945 S *	6/2011	Goerge	D24/152
8,314,605 B2 *	11/2012	Pruckner	A61C 1/0015 324/120
D726,324 S *	4/2015	Duncan	D24/177
9,597,160 B1 *	3/2017	Gregg, II	A61C 1/0046
9,788,915 B2 *	10/2017	Monty	A61C 1/0046
2013/0330684 A1 *	12/2013	Dillon	A61C 1/0046 433/29
2014/0147802 A1 *	5/2014	Naldoni	A61C 1/0046 433/27
2014/0170588 A1 *	6/2014	Miller	A61C 1/0046 433/29
2014/0272767 A1 *	9/2014	Monty	A61C 1/0046 433/27

* cited by examiner

Primary Examiner — Wan Laymon
(74) *Attorney, Agent, or Firm* — Greenberg Traurig LLP

(57) **CLAIM**

We claim the ornamental design for a dental cart system, as shown and described.

DESCRIPTION

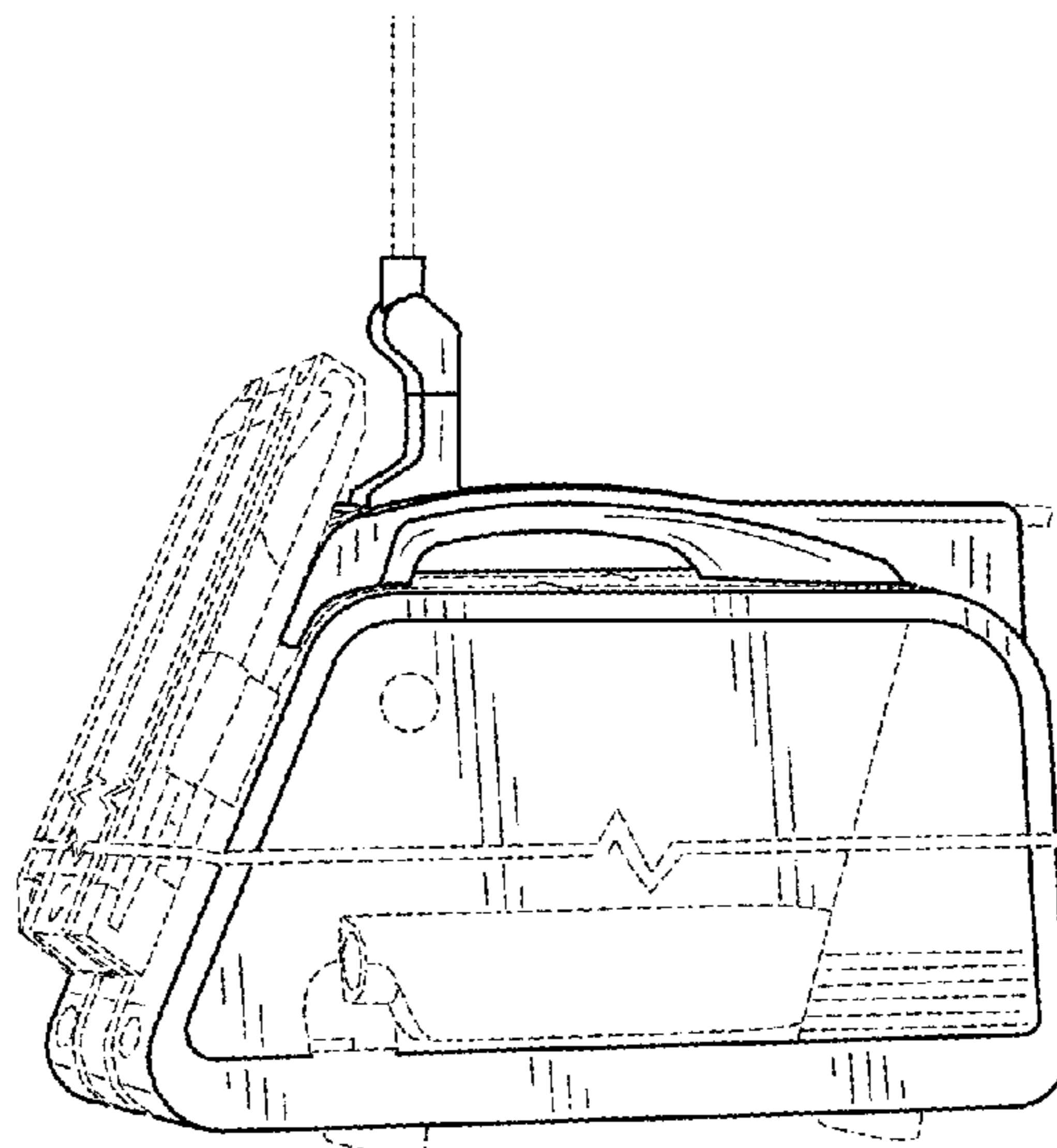
FIG. 1 is a side perspective view of a dental cart system; FIG. 2 is a side view of FIG. 1; FIG. 3 is a side view of FIG. 1; FIG. 4 is a front view of FIG. 1; FIG. 5 is a rear view of FIG. 1; FIG. 6 is a top view of FIG. 1; and, FIG. 7 is a bottom view of FIG. 1. The features shown in broken lines depict environmental subject matter only and form no part of the claimed design. The broken away symbols in the drawings indicate the appearance of any portions of the article between the break lines forms no part of the claimed design.

1 Claim, 3 Drawing Sheets

(56) **References Cited**

U.S. PATENT DOCUMENTS

D201,357 S *	6/1965	Horowitz	D24/177
D218,166 S *	7/1970	Slouka	D24/177
D224,536 S *	8/1972	Gardella et al.	D24/177
D227,368 S *	6/1973	House, II et al.	D24/177
D233,041 S *	10/1974	Atkinson	D24/177
4,772,200 A *	9/1988	Skovsgaard	A61G 15/14 312/209
D302,585 S *	8/1989	Elliott	D24/177
4,952,146 A *	8/1990	Doty	A61G 15/14 312/209
D351,911 S *	10/1994	Myers	D24/177
6,217,328 B1 *	4/2001	Oliver	A61C 1/0084 433/29
D555,792 S *	11/2007	Haymann	D24/177



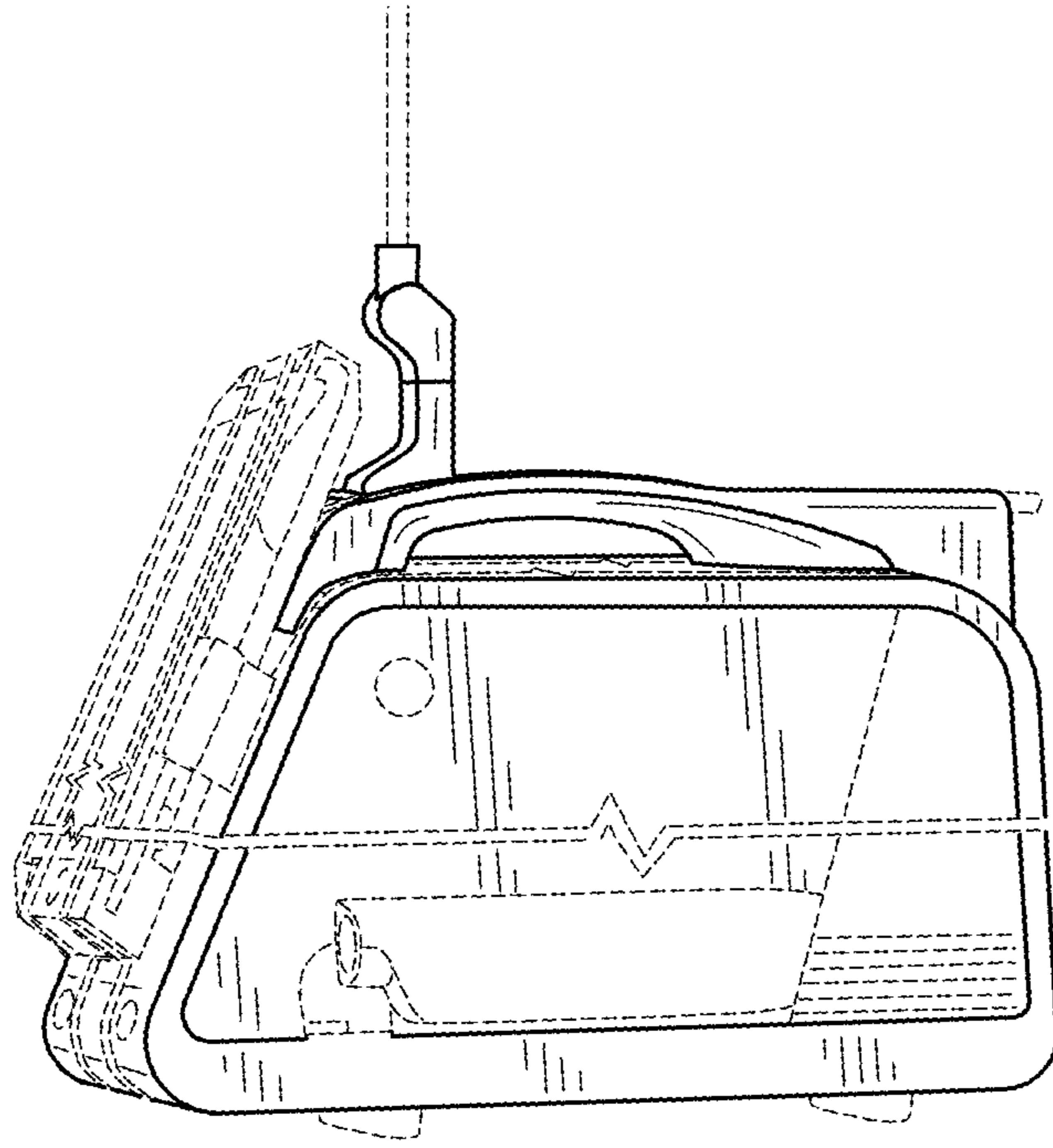


FIG. 1

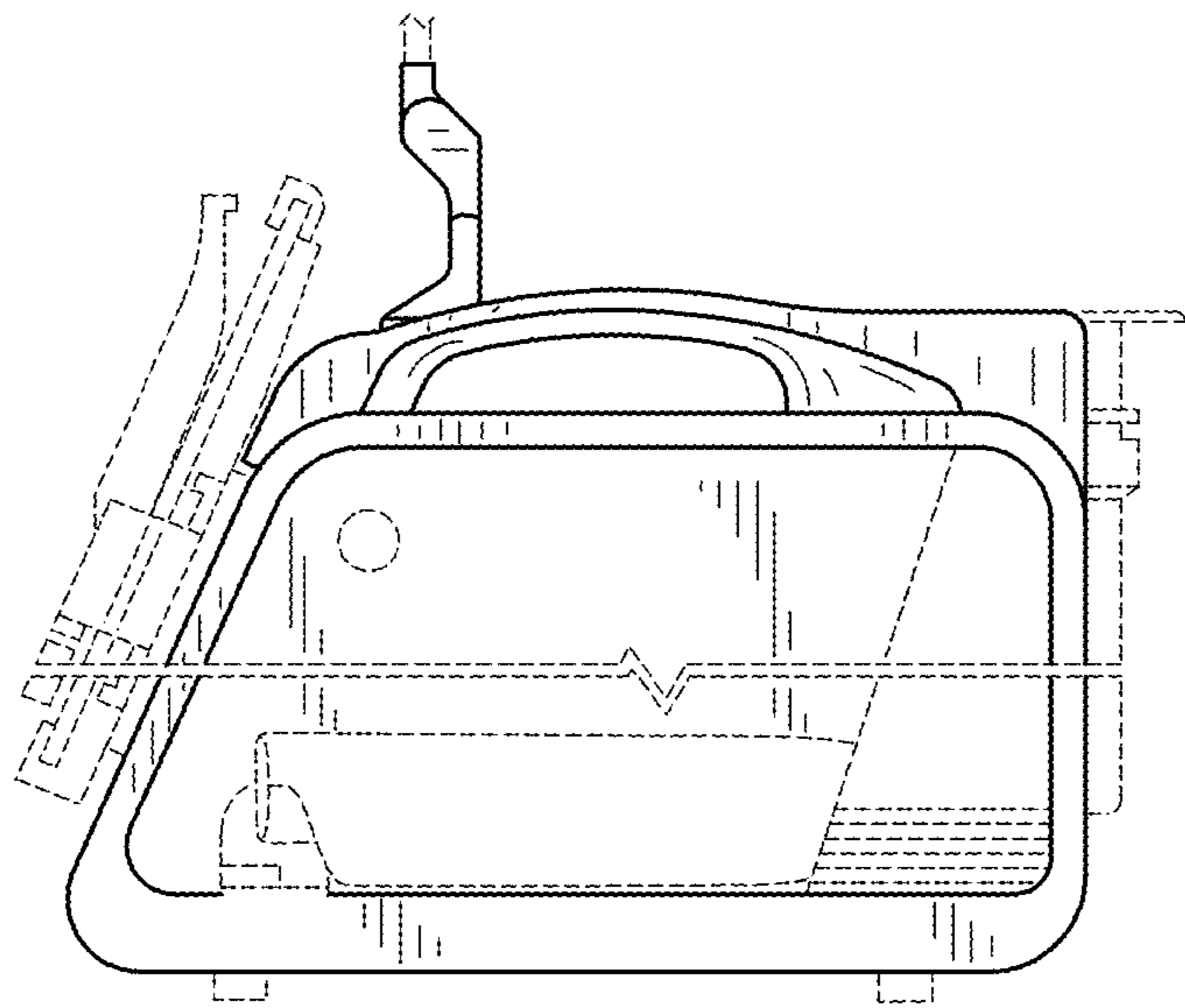


FIG. 2

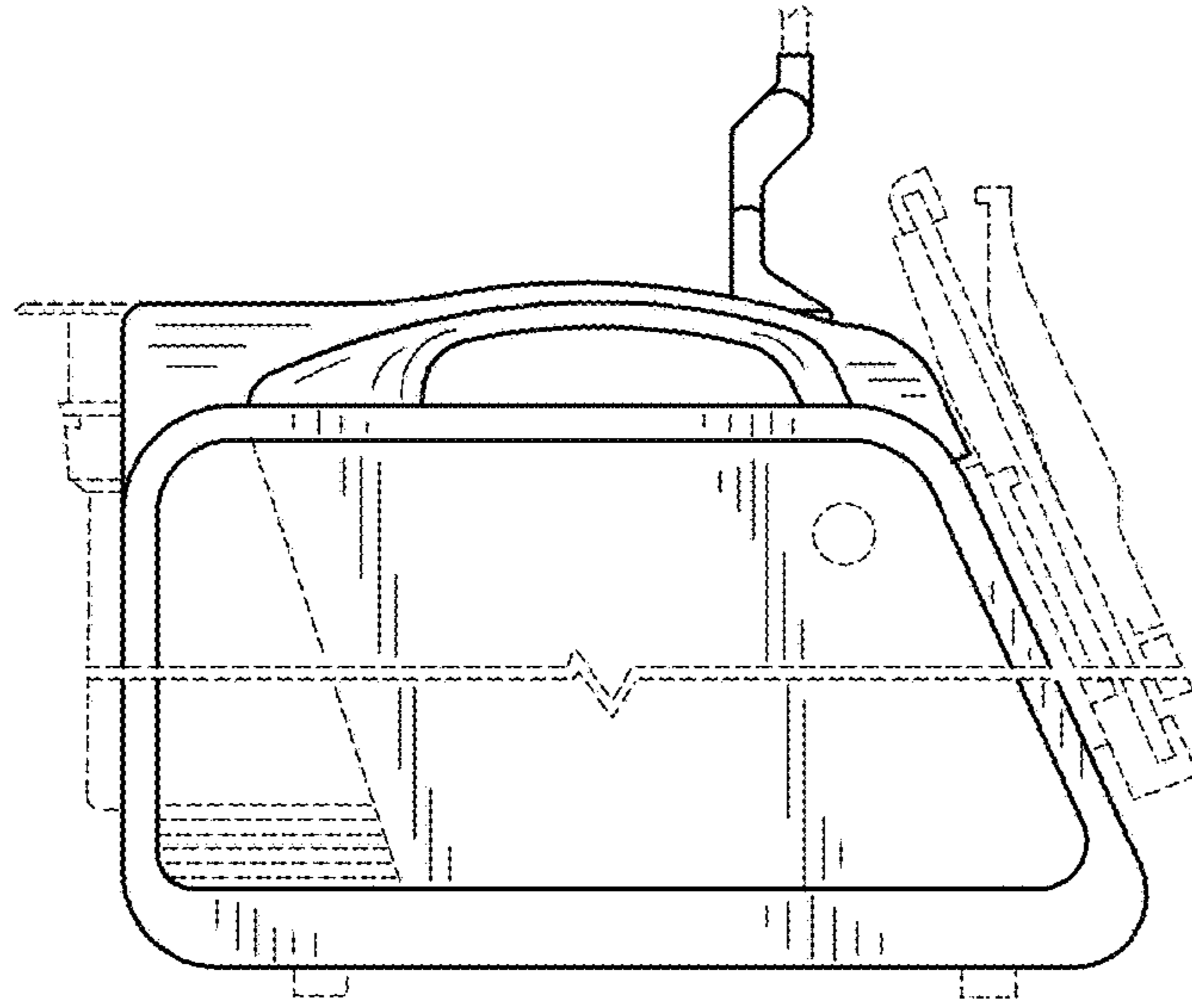


FIG.3

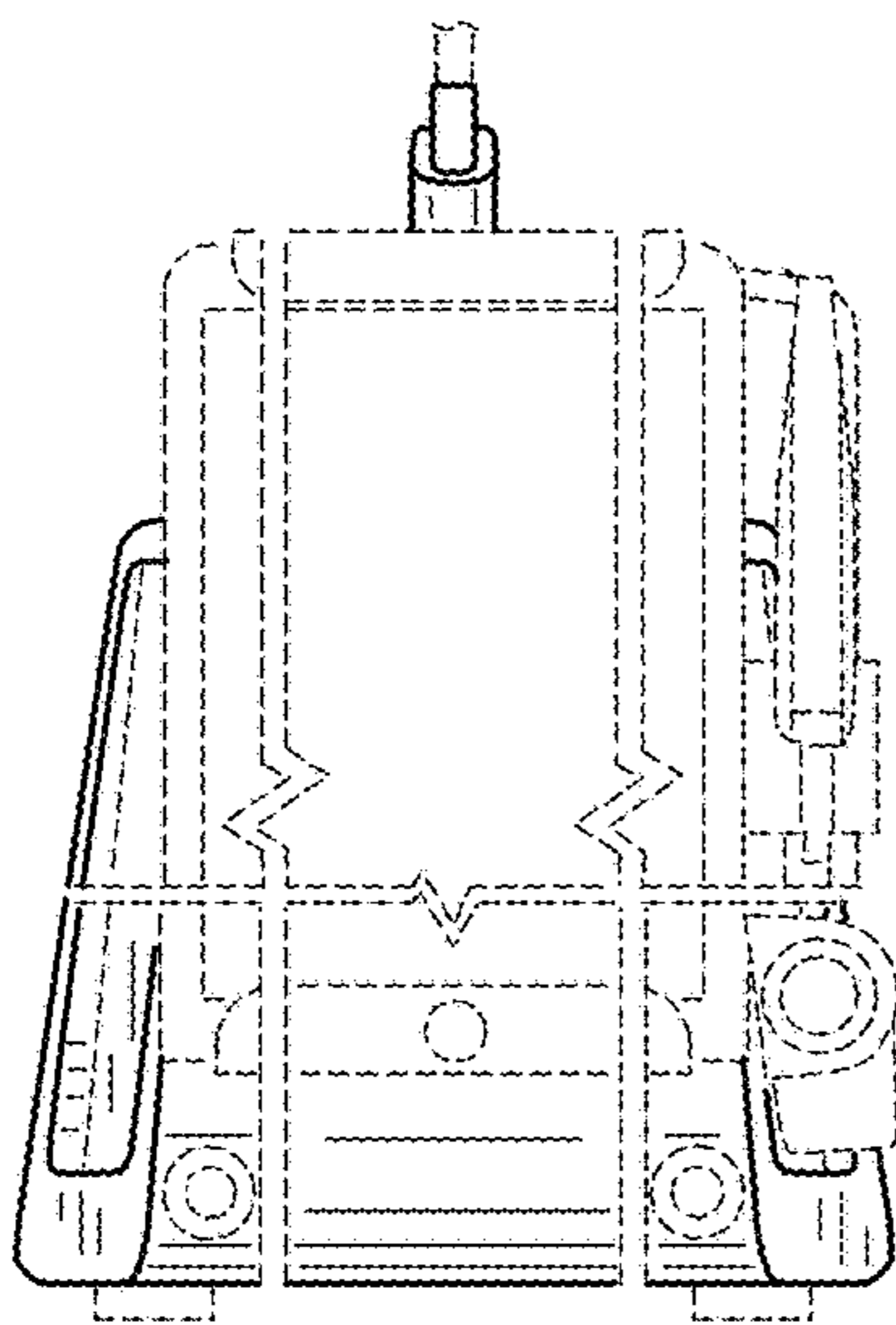


FIG.4

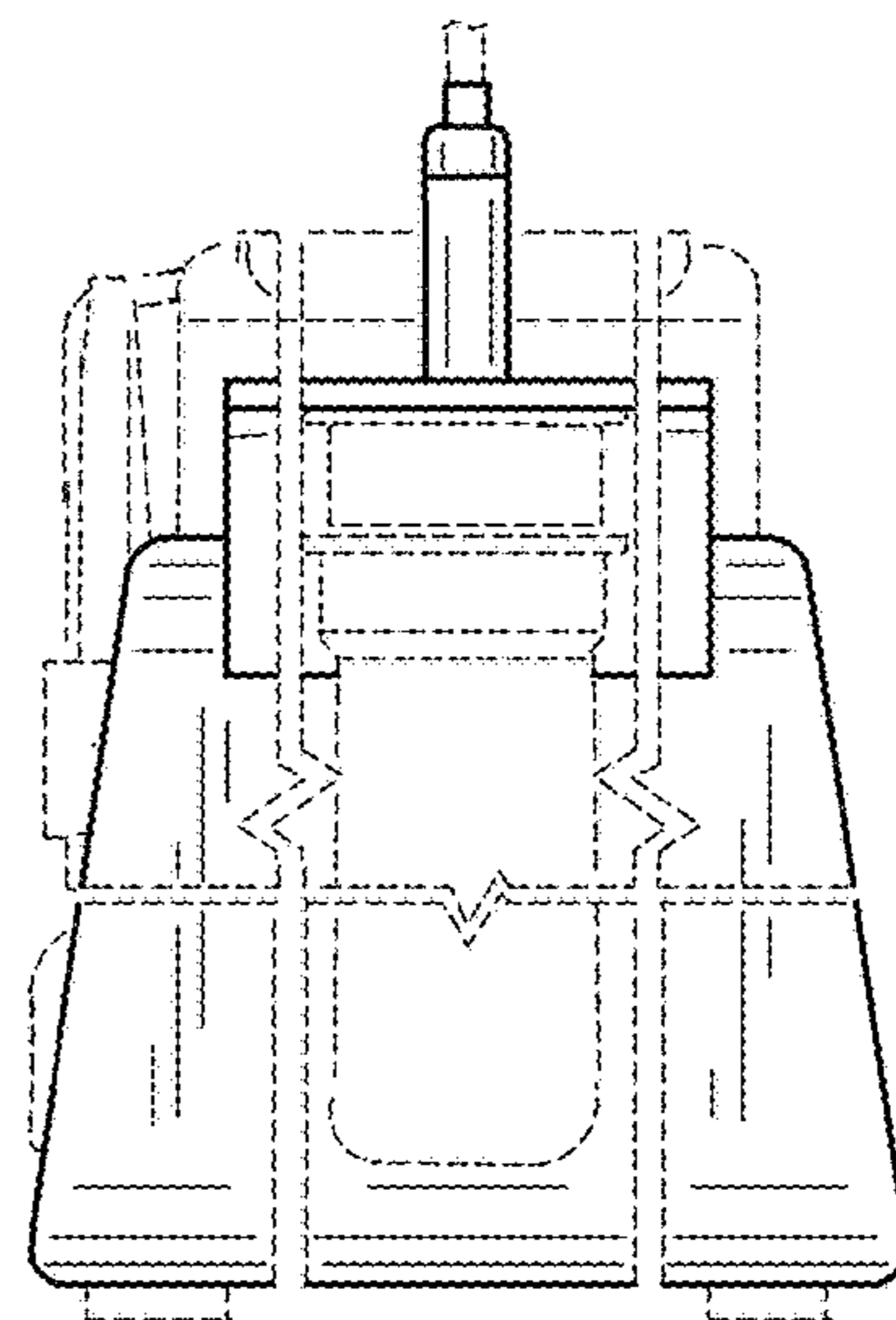


FIG.5

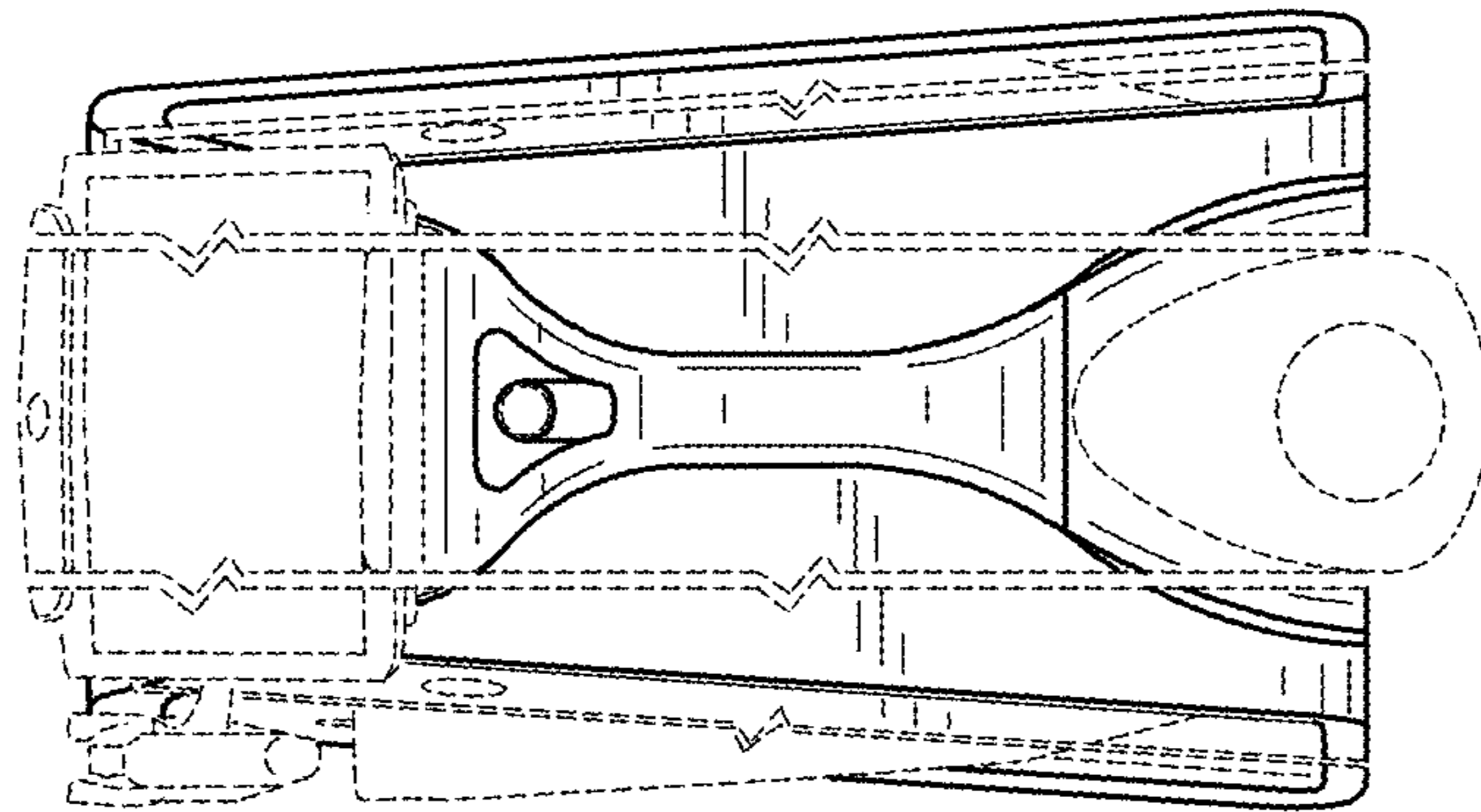


FIG. 6

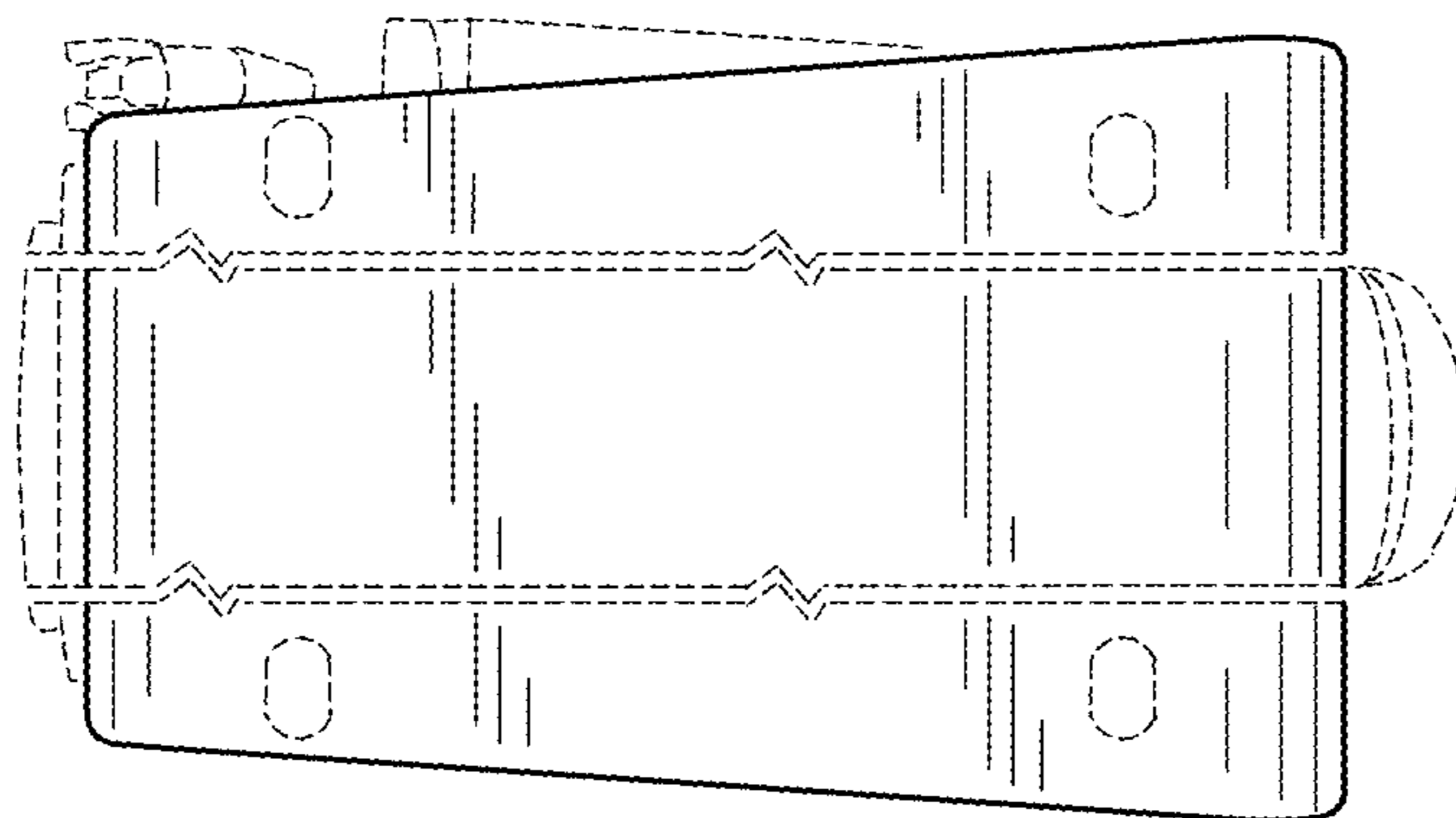


FIG. 7