



US00D813389S

(12) **United States Design Patent**
Zhou et al.

(10) **Patent No.:** **US D813,389 S**
(45) **Date of Patent:** **** Mar. 20, 2018**

(54) **TROCAR SHEATH**
(71) Applicant: **Guangzhou T.K Medical Instrument Co., Ltd.**, Guangzhou (CN)
(72) Inventors: **Xing Zhou**, Guangzhou (CN); **Shaoming Zhu**, Guangzhou (CN); **Linhai Liu**, Guangzhou (CN); **Huaping Xu**, Guangzhou (CN); **Jiajiang Wei**, Guangzhou (CN)

D785,175 S * 4/2017 Zhou D24/146
2009/0270817 A1* 10/2009 Moreno A61B 17/3462
604/264
2010/0016799 A1* 1/2010 Schweitzer A61B 17/3462
604/167.01
2010/0016878 A1* 1/2010 Smith A61B 17/3417
606/185
2011/0046449 A1* 2/2011 Minnelli A61B 1/00128
600/205
2013/0338694 A1* 12/2013 Fischvogt A61B 17/3494
606/185

(73) Assignee: **GUANGZHOU T.K MEDICAL INSTRUMENT CO., LTD.**, Guangzhou, Guandong (CN)

OTHER PUBLICATIONS

Guangzhou, Certificate of Registration, AU201611583, Oct. 10, 2016, 7 pgs.
Guangzhou, Certificate of Registration, CA168079, Nov. 16, 2016, 1 pg.

(**) Term: **15 Years**

(Continued)

(21) Appl. No.: **29/564,227**

(22) Filed: **May 11, 2016**

Primary Examiner — Thomas Johannes
Assistant Examiner — Samantha Q. Lawrence
(74) *Attorney, Agent, or Firm* — Morgan, Lewis & Bockius LLP

(30) **Foreign Application Priority Data**

Dec. 10, 2015 (CN) 2015 3 0520180

(51) **LOC (11) Cl.** **24-02**

(57) **CLAIM**

(52) **U.S. Cl.**
USPC **D24/146**

The ornamental design for a trocar sheath, as shown and described.

(58) **Field of Classification Search**
USPC D7/649; D8/93, 97, 300, 310, 311, 313; D19/110, 115; D24/146, 147, 148
CPC .. B26B 3/00; B26B 1/10; B26B 5/005; A61B 17/089; A61B 17/1617; A61B 17/3211; A61B 17/3417; A61B 5/1411
See application file for complete search history.

DESCRIPTION

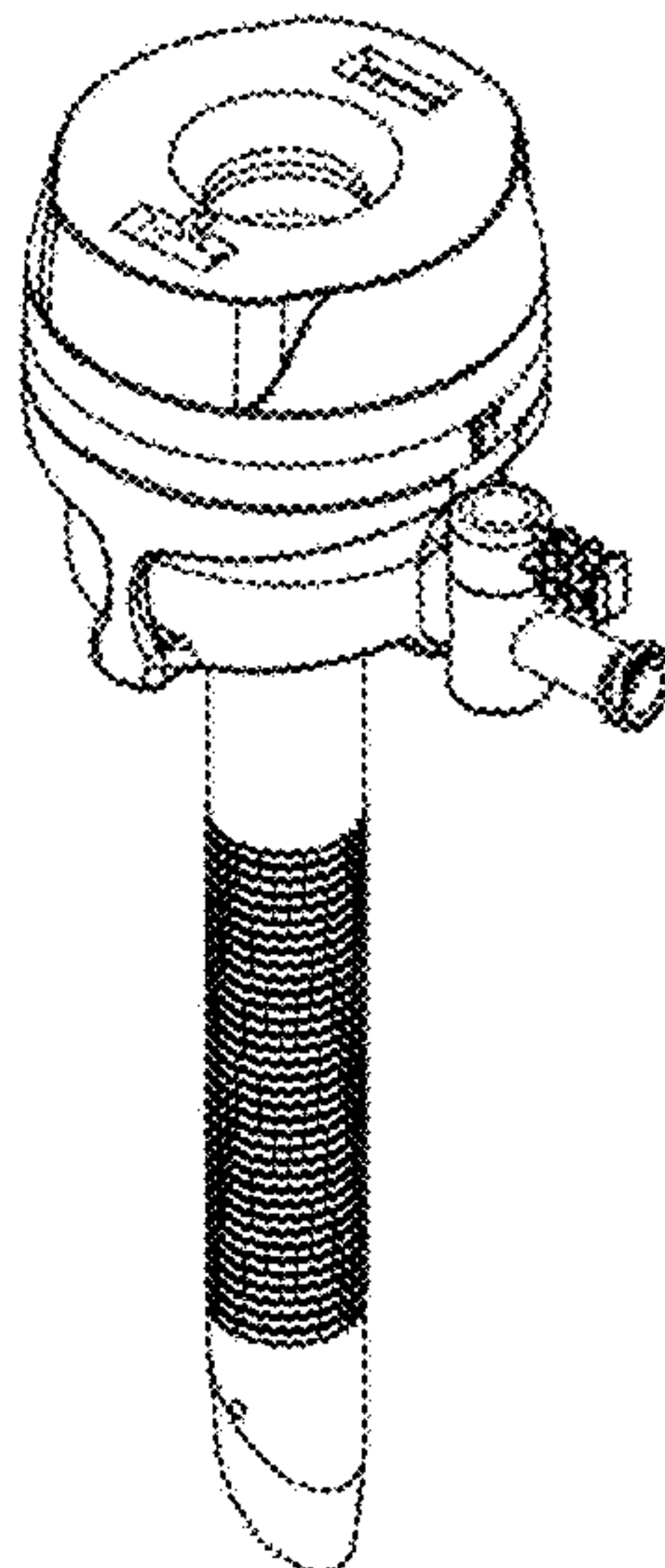
FIG. 1 is a perspective view of a trocar sheath;
FIG. 2 is a first side view thereof;
FIG. 3 is a second side view thereof;
FIG. 4 is a third side view thereof;
FIG. 5 is a fourth side view thereof;
FIG. 6 is a top view thereof; and,
FIG. 7 is a bottom view thereof.
The broken lines shown in the drawings represent portions of the trocar that form no part of the claimed design.

(56) **References Cited**

U.S. PATENT DOCUMENTS

D271,902 S * 12/1983 Campton D24/112
D753,303 S * 4/2016 Dannaher D24/146
D764,663 S * 8/2016 Broennimann D24/146

1 Claim, 6 Drawing Sheets



(56)

References Cited

OTHER PUBLICATIONS

Decision to Grant, JP2016-006396, Jul. 7, 2016, 5 pgs.
Guangzhou, Notice to File a Response, KR30-20160014808, Sep. 19, 2016, 3 pgs.
Guangzhou, Decision on Design, KR30-20160014808, Dec. 13, 2016, 3 pgs.
Guangzhou, Certificate of Grant, KR30-20160014808, Feb. 22, 2017, 9 pgs.
Guangzhou, Notice of Allowance, TW105301488, dated Sep. 10, 2016, 3 pgs.
Guangzhou, Patent Certificate, TW105301488, Feb. 20, 2017, 2 pgs.

* cited by examiner

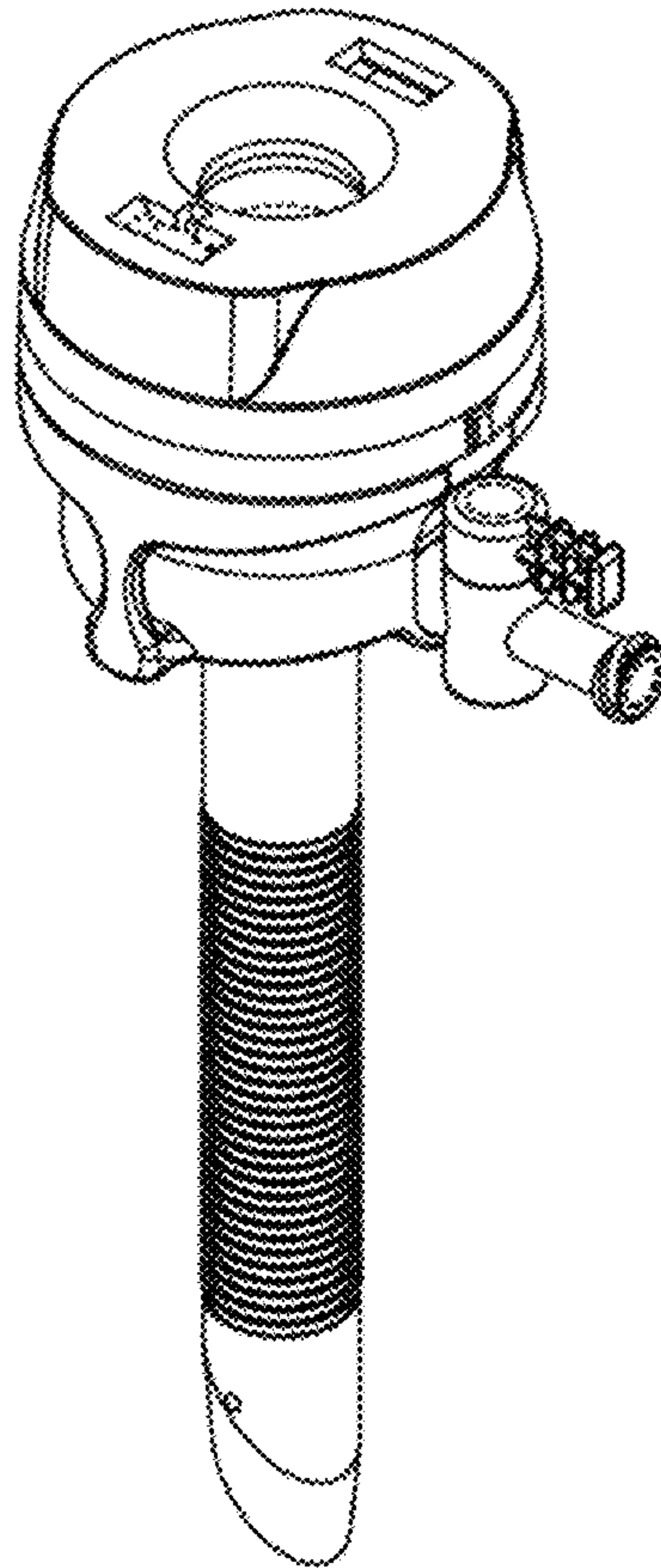


FIG. 1

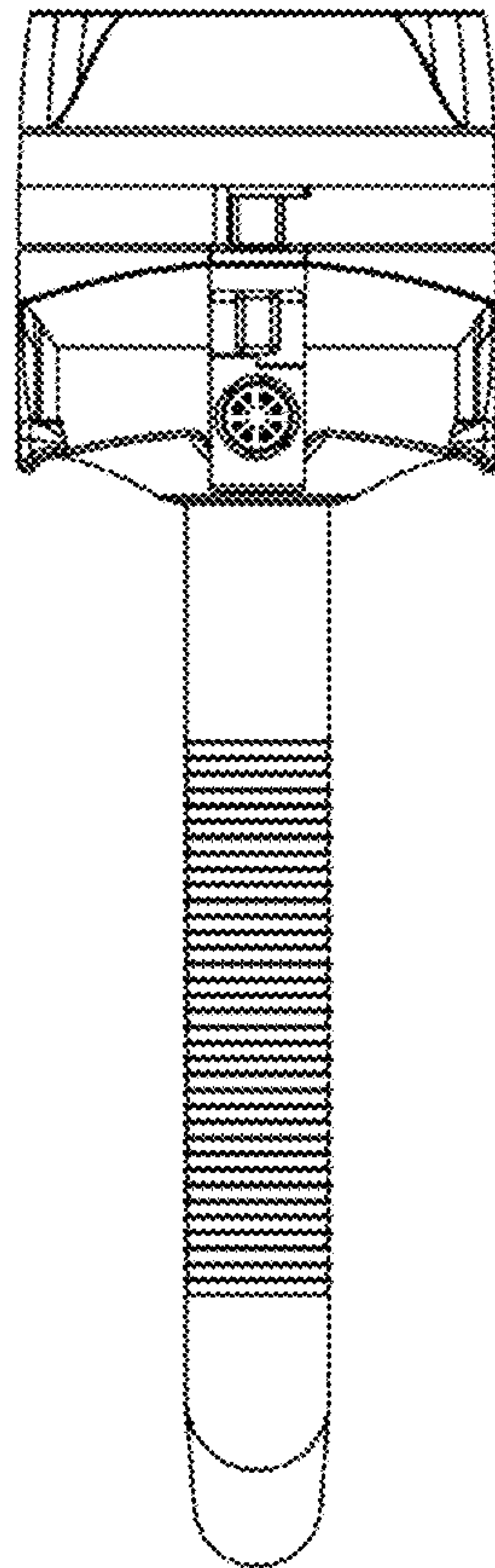


FIG. 2

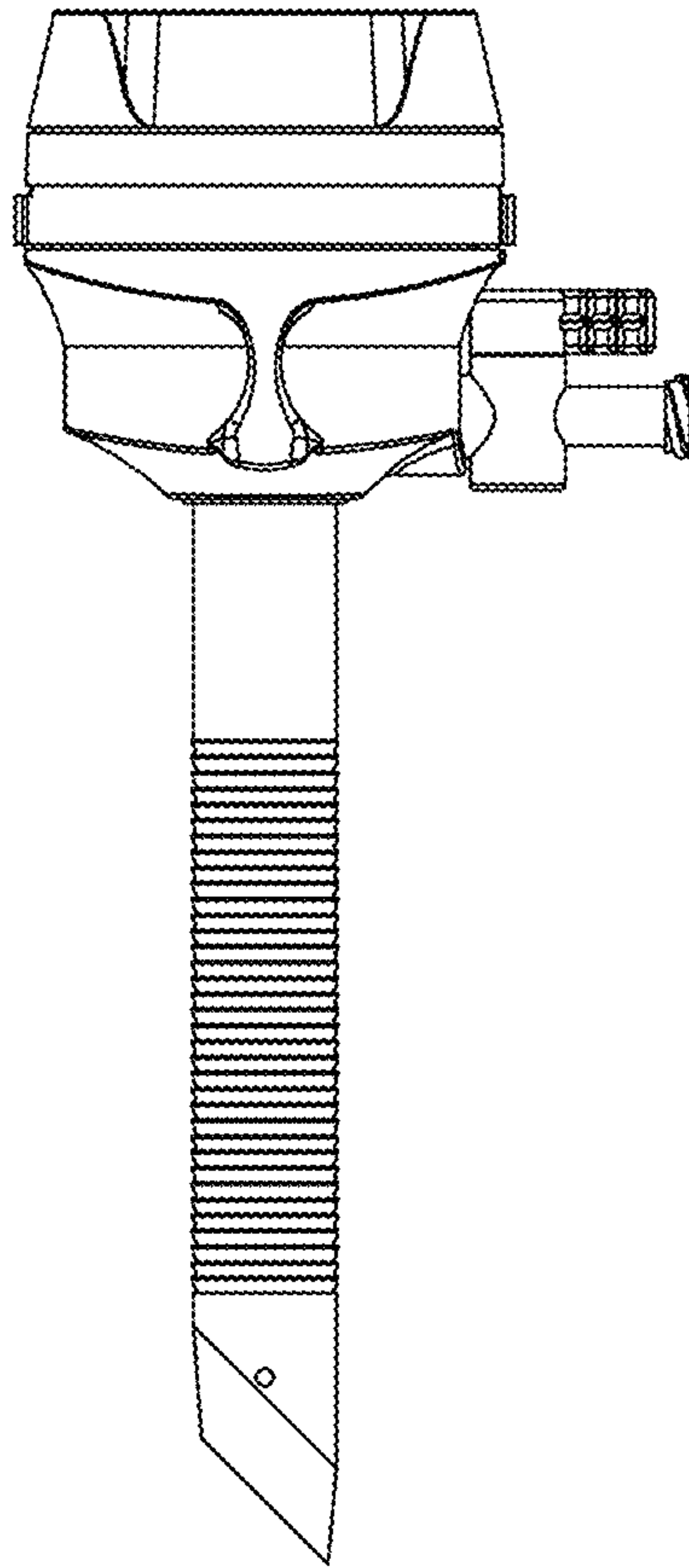


FIG. 3

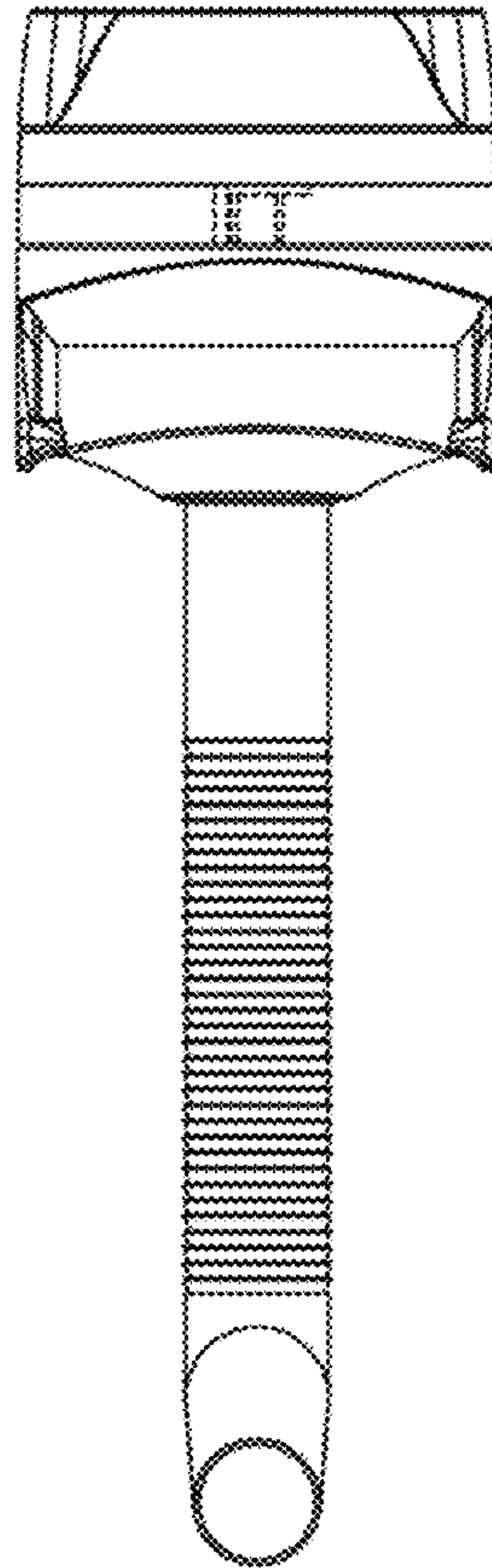


FIG. 4

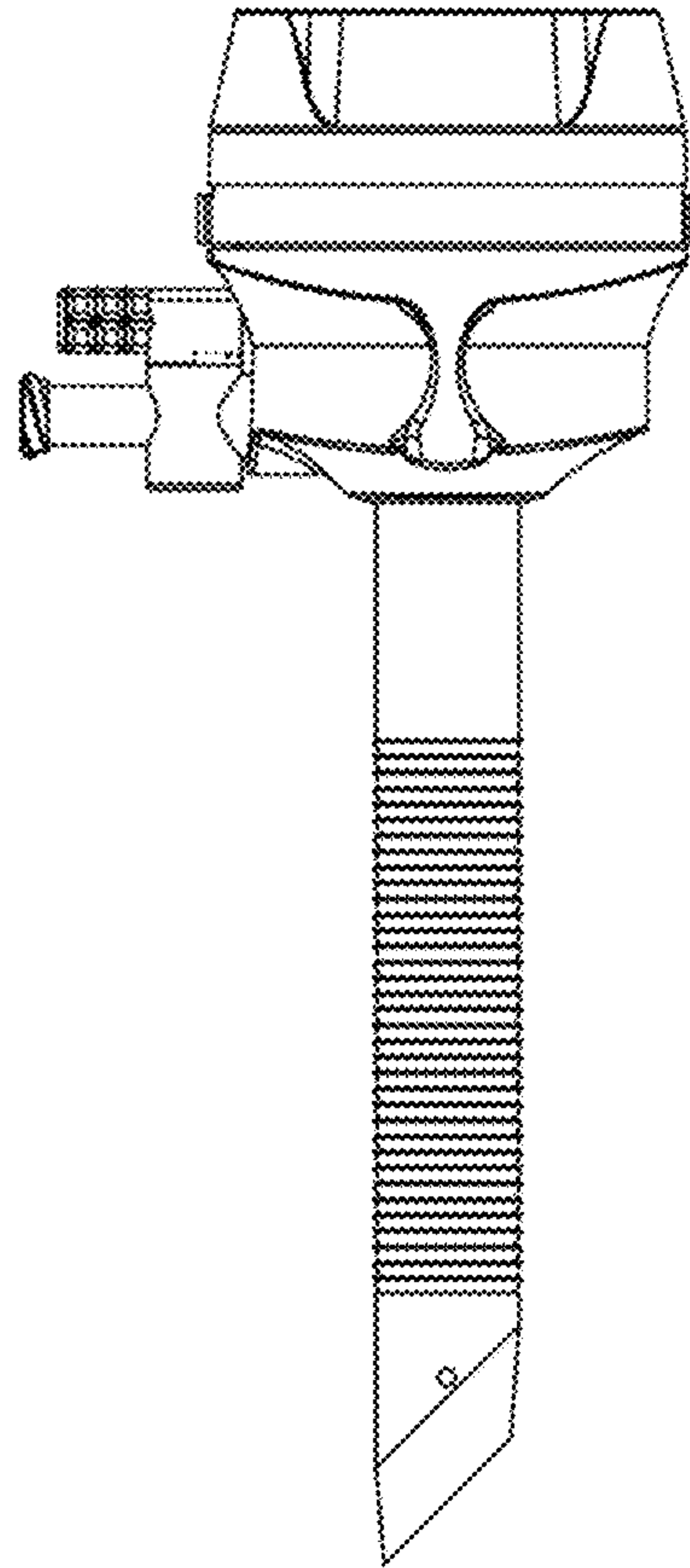


FIG. 5

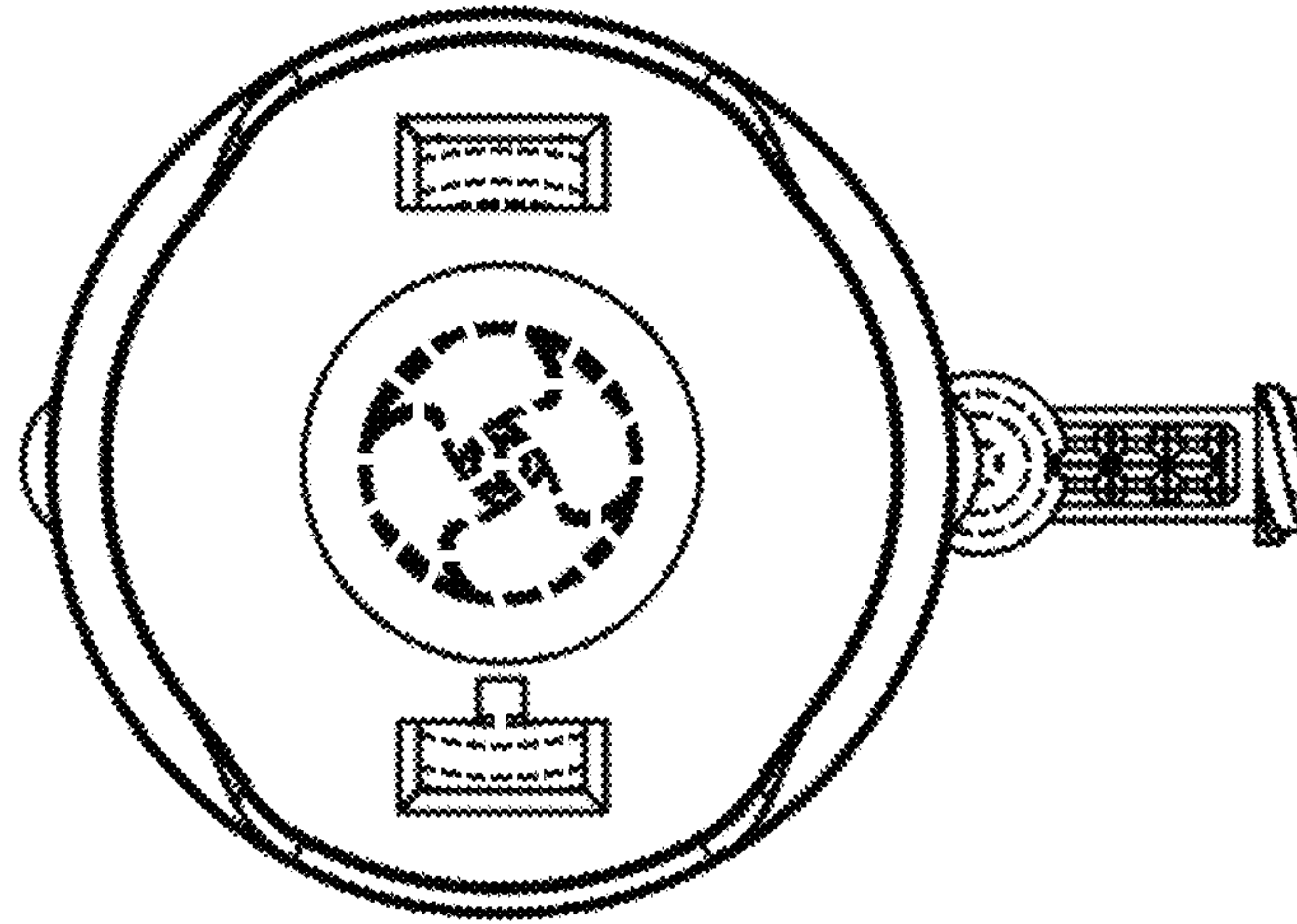


FIG. 6

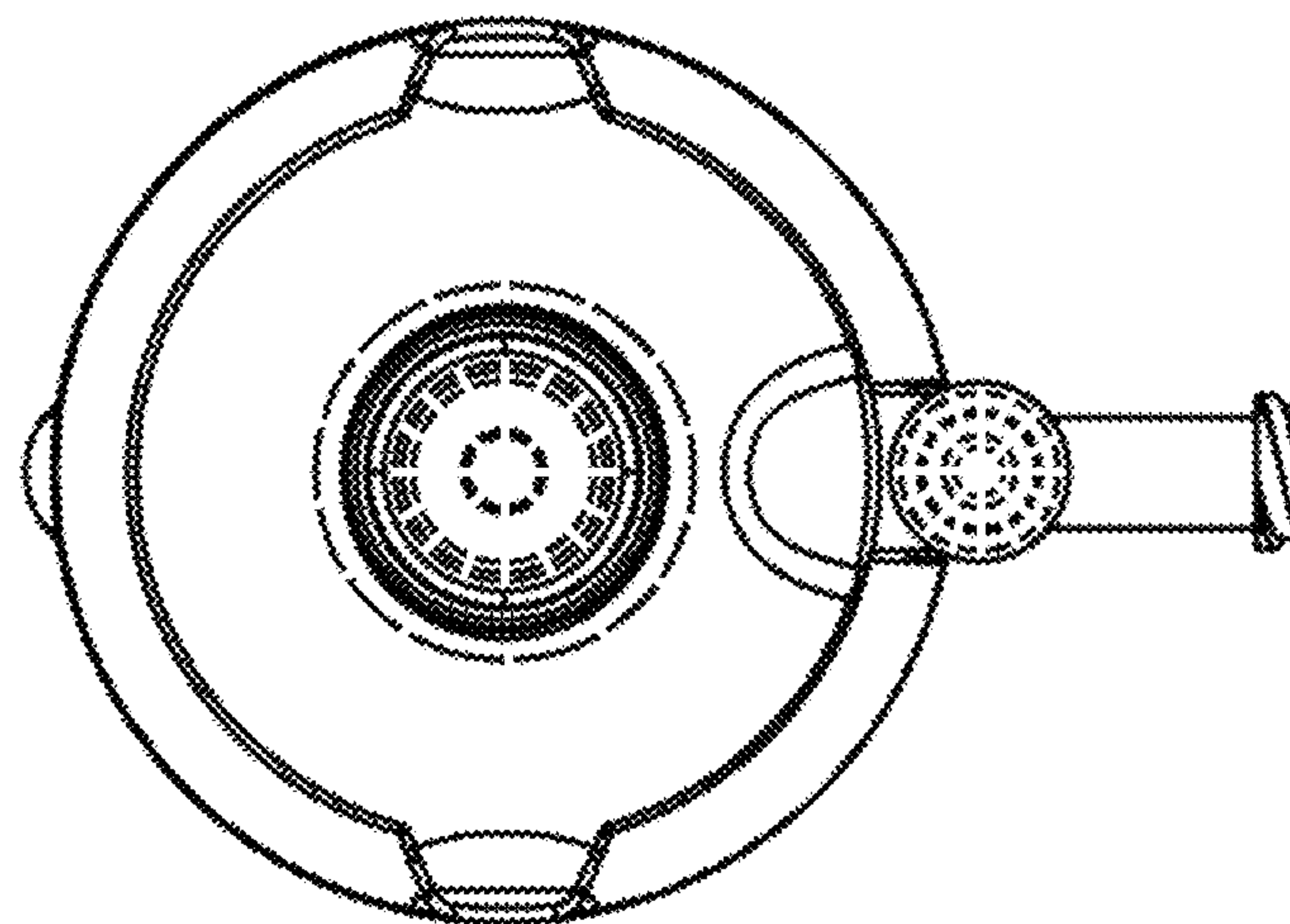


FIG. 7