



US00D813388S

(12) **United States Design Patent**
Anderson et al.

(10) **Patent No.:** **US D813,388 S**

(45) **Date of Patent:** **** *Mar. 20, 2018**

(54) **ELECTRO-CAUTERIZING BI-POLAR SURGICAL FORCEPS**

(71) Applicants: **Michael Anderson**, Grosse Pointe Farms, MI (US); **Chaim Colen**, Pompano Beach, FL (US); **Tyrone Secord**, Rochester Hills, MI (US)

(72) Inventors: **Michael Anderson**, Grosse Pointe Farms, MI (US); **Chaim Colen**, Pompano Beach, FL (US); **Tyrone Secord**, Rochester Hills, MI (US)

(*) Notice: This patent is subject to a terminal disclaimer.

(**) Term: **15 Years**

(21) Appl. No.: **29/558,445**

(22) Filed: **Mar. 17, 2016**

(51) **LOC (11) Cl.** **24-02**

(52) **U.S. Cl.**
USPC **D24/143; D24/144**

(58) **Field of Classification Search**
USPC D24/143-144, 133, 146; D28/55
CPC A61B 17/29; A61B 17/30; A61B 17/28;
A61B 18/1442; A61B 18/1445; A61B
2018/1462

See application file for complete search history.

(56) **References Cited**

U.S. PATENT DOCUMENTS

2,068,721 A	1/1937	Wappler et al.	
3,825,004 A	7/1974	Durden, III	
4,461,297 A *	7/1984	Sutter	A61B 17/30 294/99.2
4,548,207 A	10/1985	Reimels	
4,686,980 A	8/1987	Williams et al.	
4,938,761 A	7/1990	Ensslin	
5,702,390 A	12/1997	Austin et al.	

5,902,301 A	5/1999	Olig	
6,048,341 A *	4/2000	Hirakawa	A61B 18/1442 606/51
6,293,946 B1	9/2001	Thorne	
6,592,583 B2 *	7/2003	Hirano	A61B 18/1442 606/50
D559,984 S *	1/2008	Scheller	D24/143
7,789,882 B2 *	9/2010	Ariola, Jr.	A61B 18/1442 606/50
D629,100 S	12/2010	Doll et al.	
7,867,230 B2 *	1/2011	Asahara	A61B 18/1442 606/51
7,909,822 B2	3/2011	Guerra	
8,257,352 B2	9/2012	Lawes et al.	
8,597,296 B2	12/2013	Lawes et al.	
D707,817 S *	6/2014	Schallert	D24/143

(Continued)

FOREIGN PATENT DOCUMENTS

WO	95/15124 A1	6/1995
WO	97/17033 A2	5/1997

Primary Examiner — Wan Laymon

(74) Attorney, Agent, or Firm — Dinsmore & Shohl LLP; Douglas Mcevoy

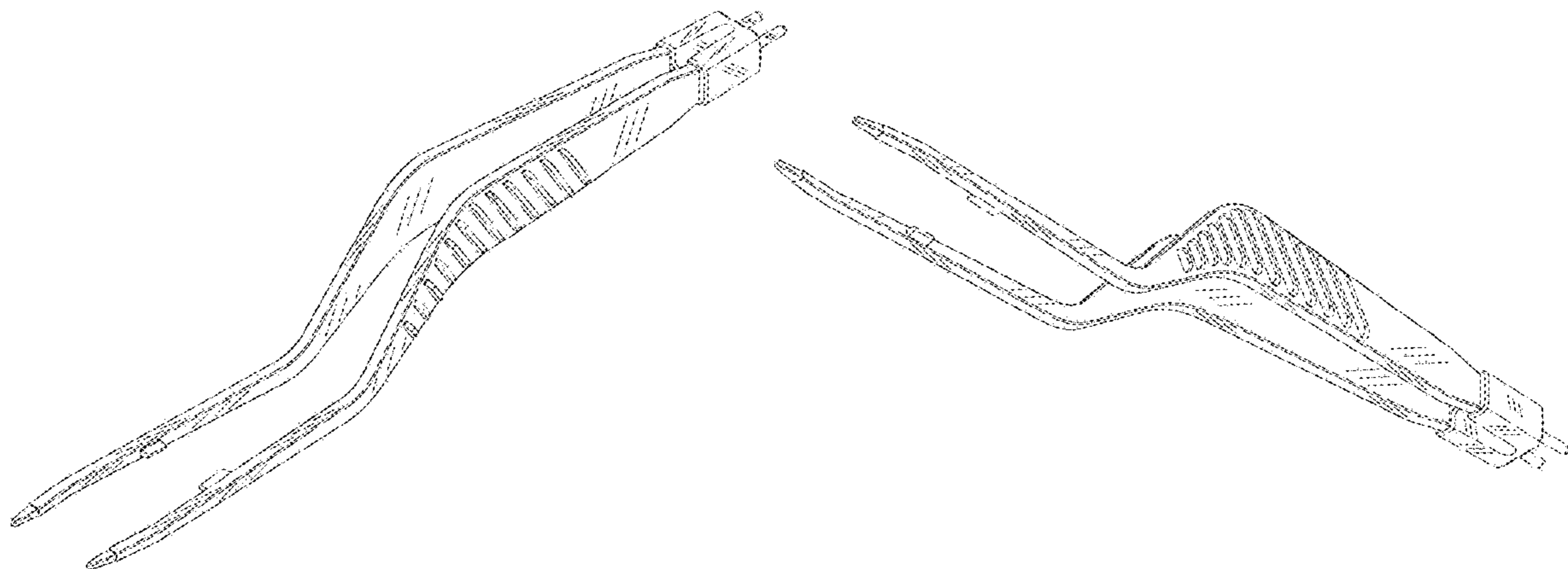
(57) **CLAIM**

The ornamental design for an electro-cauterizing bi-polar surgical forceps, as shown and described.

DESCRIPTION

FIG. 1 is a right side plan view of the electro-cauterizing bi-polar surgical forceps according to the present design; FIG. 2 is a bottom plan view of the present design; FIG. 3 is a left side plan view of the present design; FIG. 4 is a top plan view of the present design; FIG. 5 is a front plan view of the present design; FIG. 6 is a rear plan view of the present design; FIG. 7 is a top perspective view of the present design; and, FIG. 8 is a bottom perspective view of the present design.

1 Claim, 4 Drawing Sheets



(56)

References Cited

U.S. PATENT DOCUMENTS

8,945,125 B2 2/2015 Schechter et al.
D771,810 S * 11/2016 Kirwan, Jr. D24/143
2005/0107776 A1 5/2005 McGaffigan et al.
2007/0276363 A1 11/2007 Patton et al.
2008/0200914 A1 8/2008 Hanlon et al.
2009/0138013 A1 5/2009 Thorne et al.
2013/0066317 A1 3/2013 Evans et al.
2016/0235501 A1* 8/2016 Martini A61B 18/1442
2016/0317214 A1* 11/2016 Kirwan, Jr. A61B 18/1442

* cited by examiner

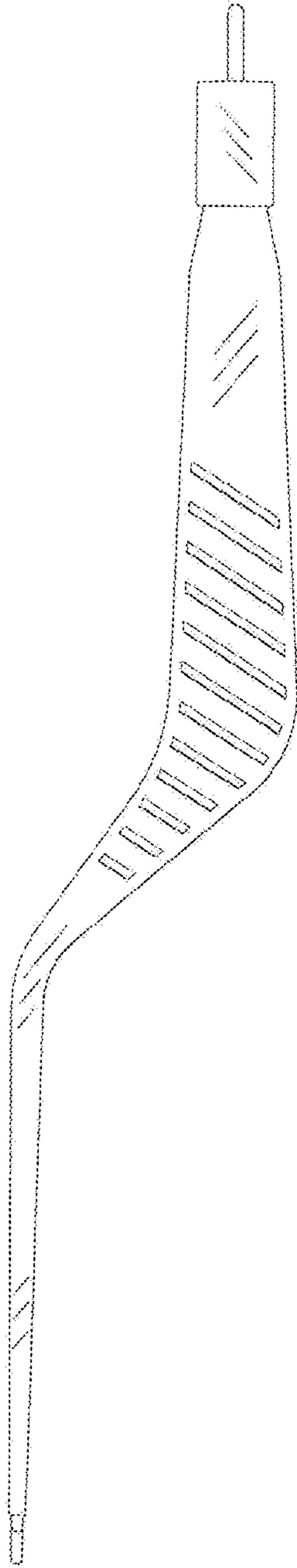


FIG. 1

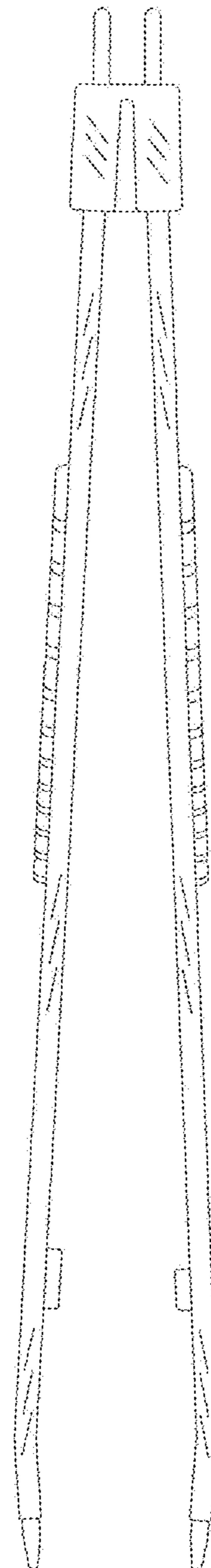


FIG. 2

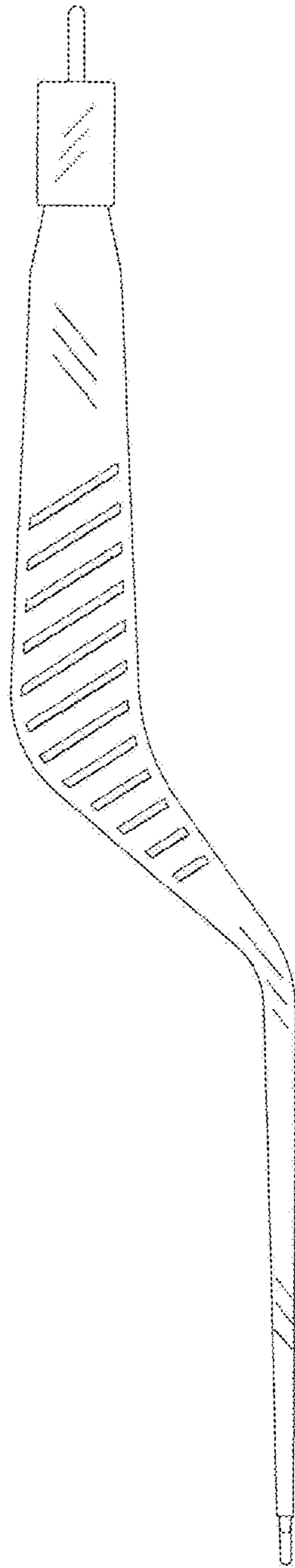


FIG. 3

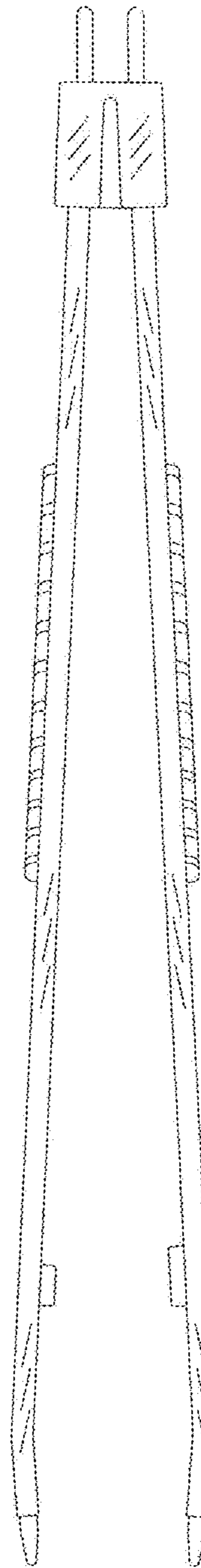


FIG. 4

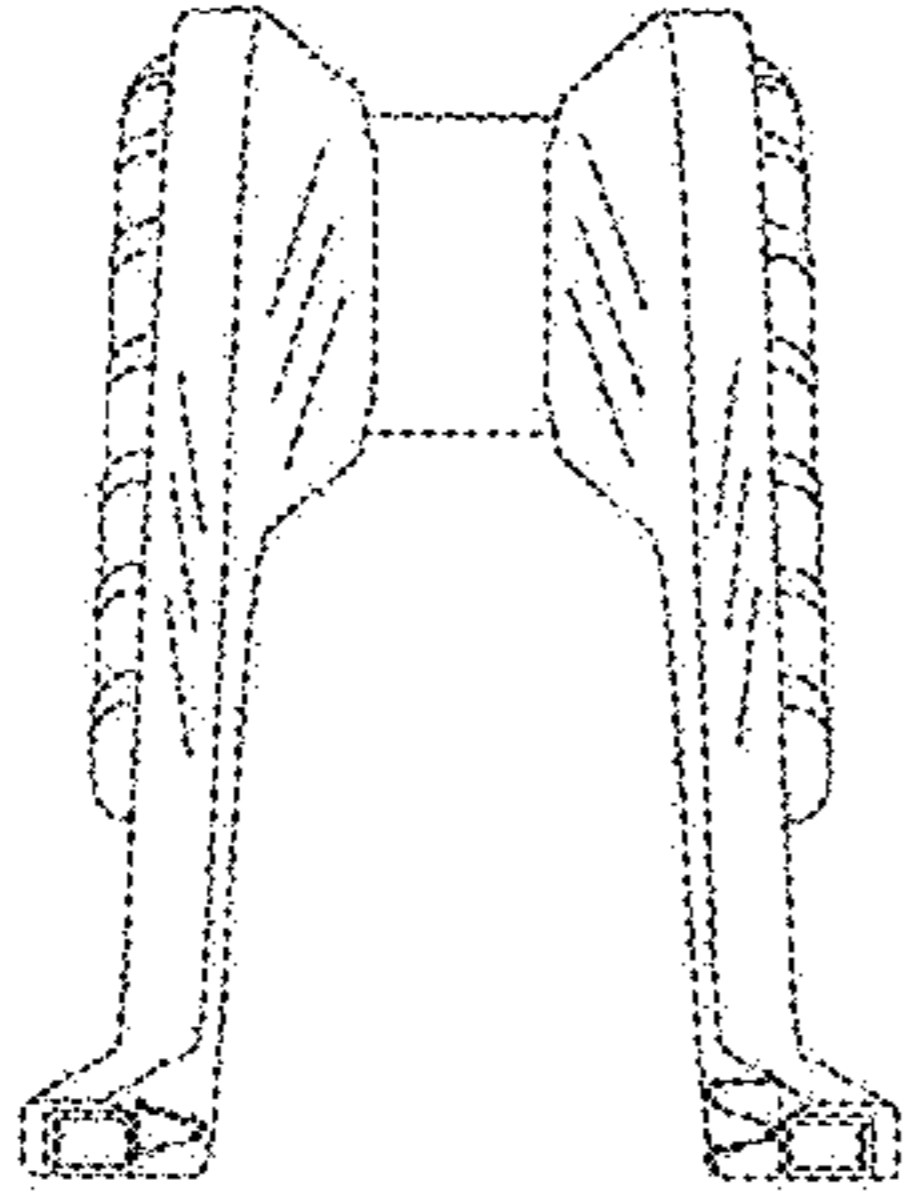


FIG. 5

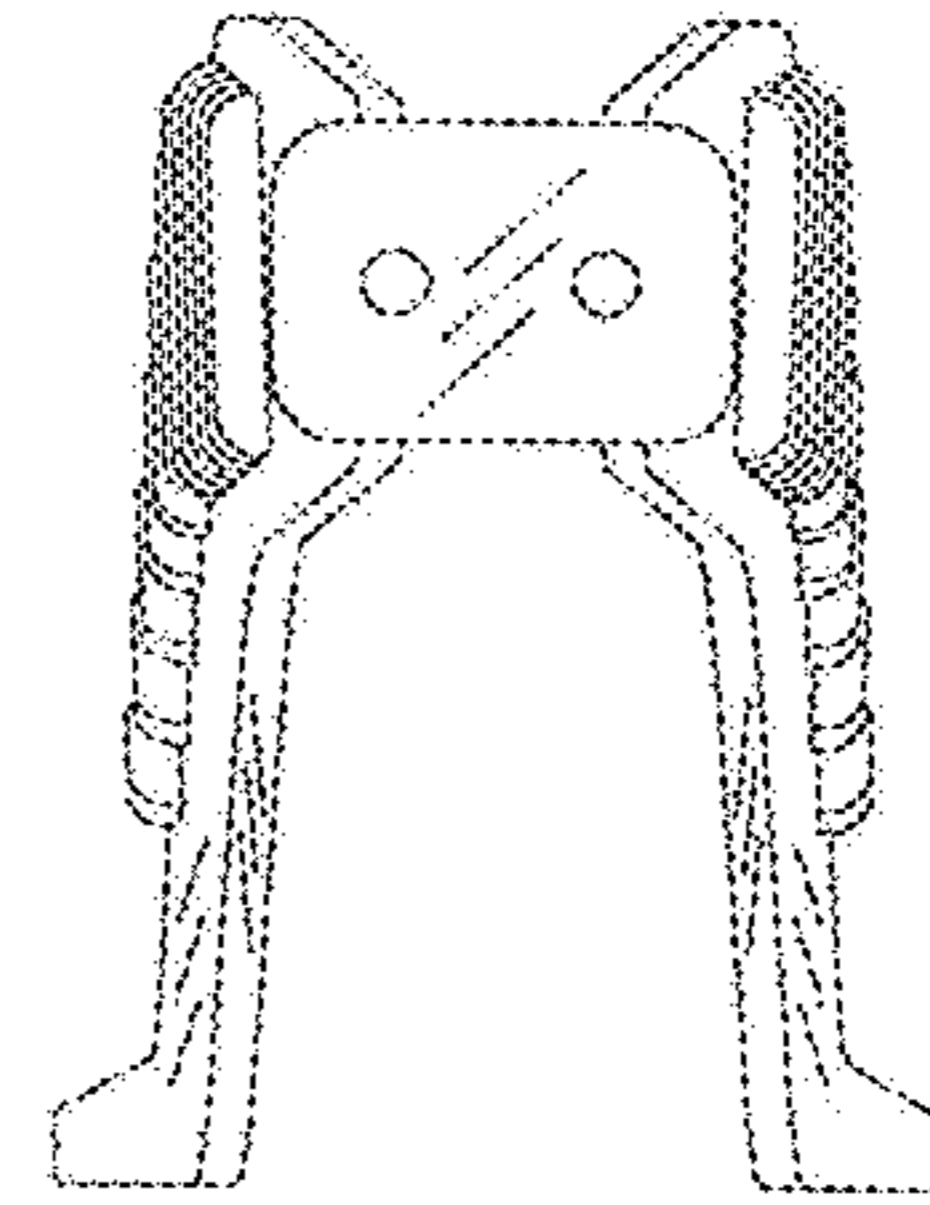


FIG. 6

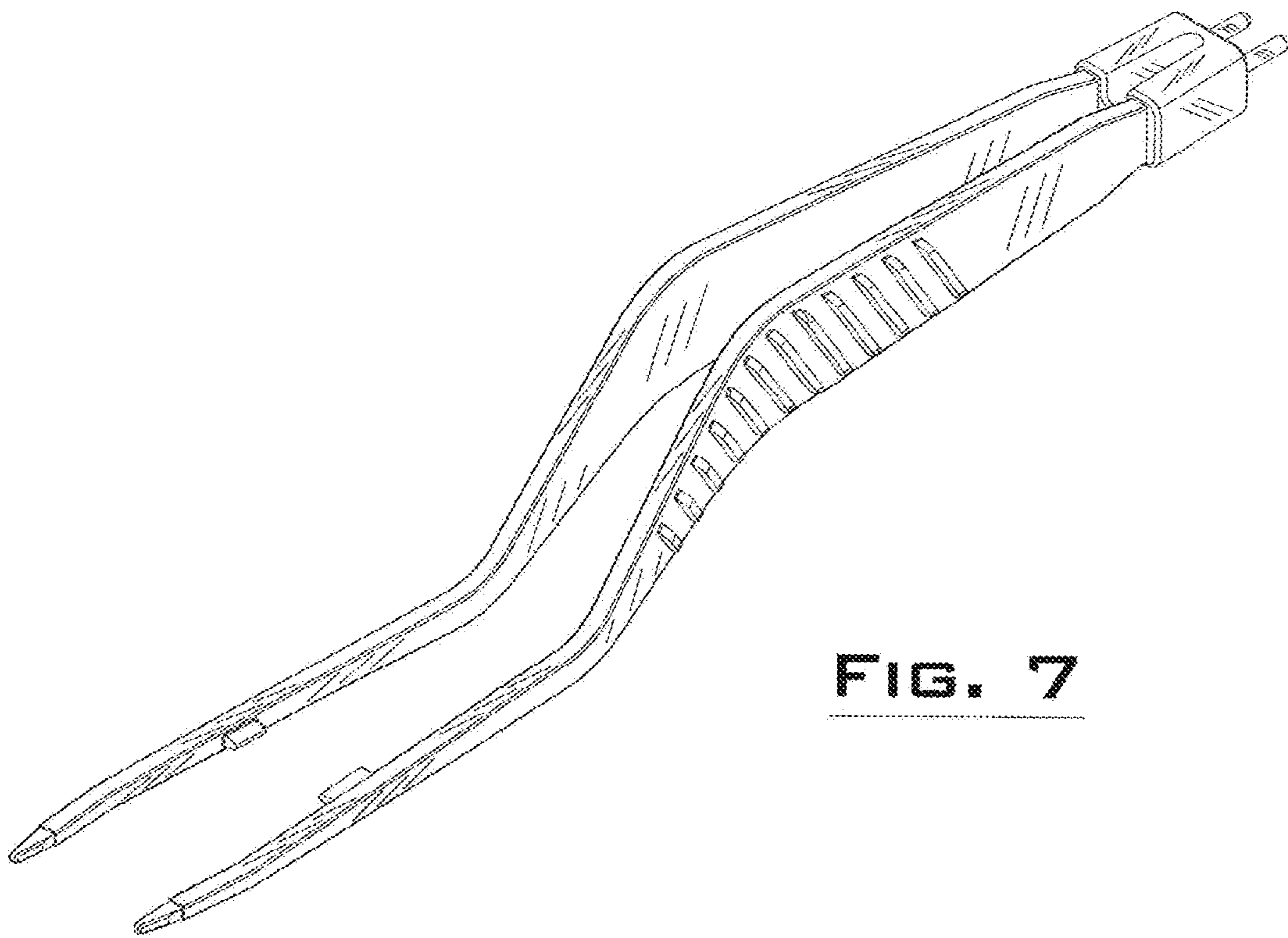


FIG. 7

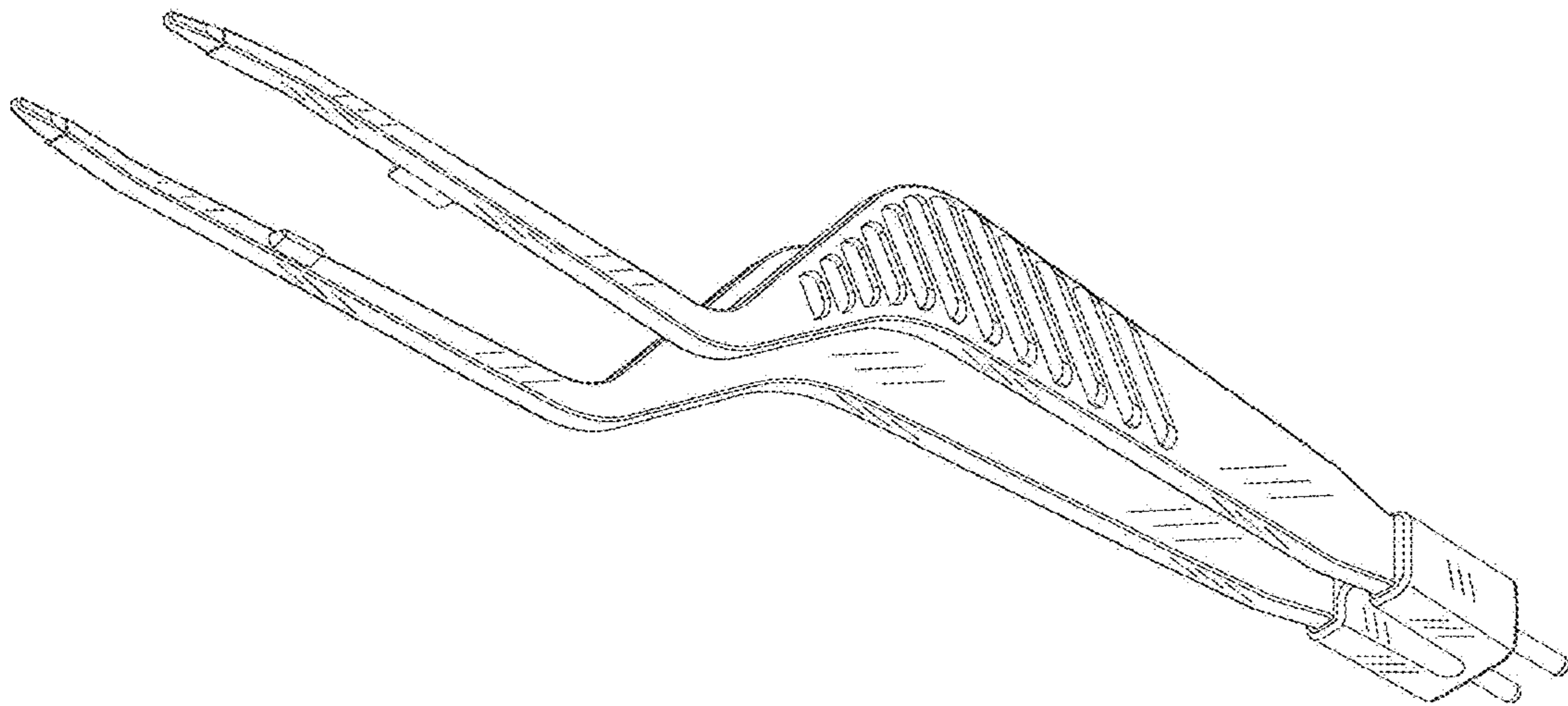


FIG. 8