



US00D813385S

(12) **United States Design Patent**
Zumbrum

(10) **Patent No.:** **US D813,385 S**
(45) **Date of Patent:** **** Mar. 20, 2018**

(54) **FLUID CONDUIT TRANSFER TIP**
(71) Applicant: **Allpure Technologies, Inc.**, New Oxford, PA (US)

D275,984 S * 10/1984 Shaw D12/197
D298,849 S 12/1988 Lanoue
D300,246 S * 3/1989 Brown D24/112
(Continued)

(72) Inventor: **Michael A. Zumbrum**, New Oxford, PA (US)

FOREIGN PATENT DOCUMENTS

WO WO 2009098194 8/2009

(73) Assignee: **Sartorius Stedim North America Inc.**, Bohemia, NY (US)

OTHER PUBLICATIONS

Contigo Autospout Gizmo Flip water bottle, publicly available at least as of Nov. 11, 2016. Photos taken Dec. 31, 2016.

(**) Term: **15 Years**

(Continued)

(21) Appl. No.: **29/584,137**

(22) Filed: **Nov. 11, 2016**

Primary Examiner — Richelle G Shelton
(74) *Attorney, Agent, or Firm* — Womble Bond Dickinson (US) LLP

Related U.S. Application Data

(63) Continuation-in-part of application No. 29/545,520, filed on Nov. 13, 2015, now abandoned, and a continuation-in-part of application No. 14/940,580, filed on Nov. 13, 2015.

(57) **CLAIM**

The ornamental design for a fluid conduit transfer tip, as shown and described.

(51) **LOC (11) Cl.** **24-02**
(52) **U.S. Cl.**

DESCRIPTION

USPC **D24/129**
(58) **Field of Classification Search**
USPC D24/108, 112, 127, 129; D23/262
CPC B67D 7/0288; B65B 3/003; B65B 39/00;
B01L 3/0275
See application file for complete search history.

FIG. 1 is a left side view of my new design, the right side view being a mirror image thereof;
FIG. 2 is a top view of my new design, the bottom view being a mirror image thereof;
FIG. 3 is a front left perspective view thereof;
FIG. 4 is a front view thereof; and,
FIG. 5 is a rear view thereof.

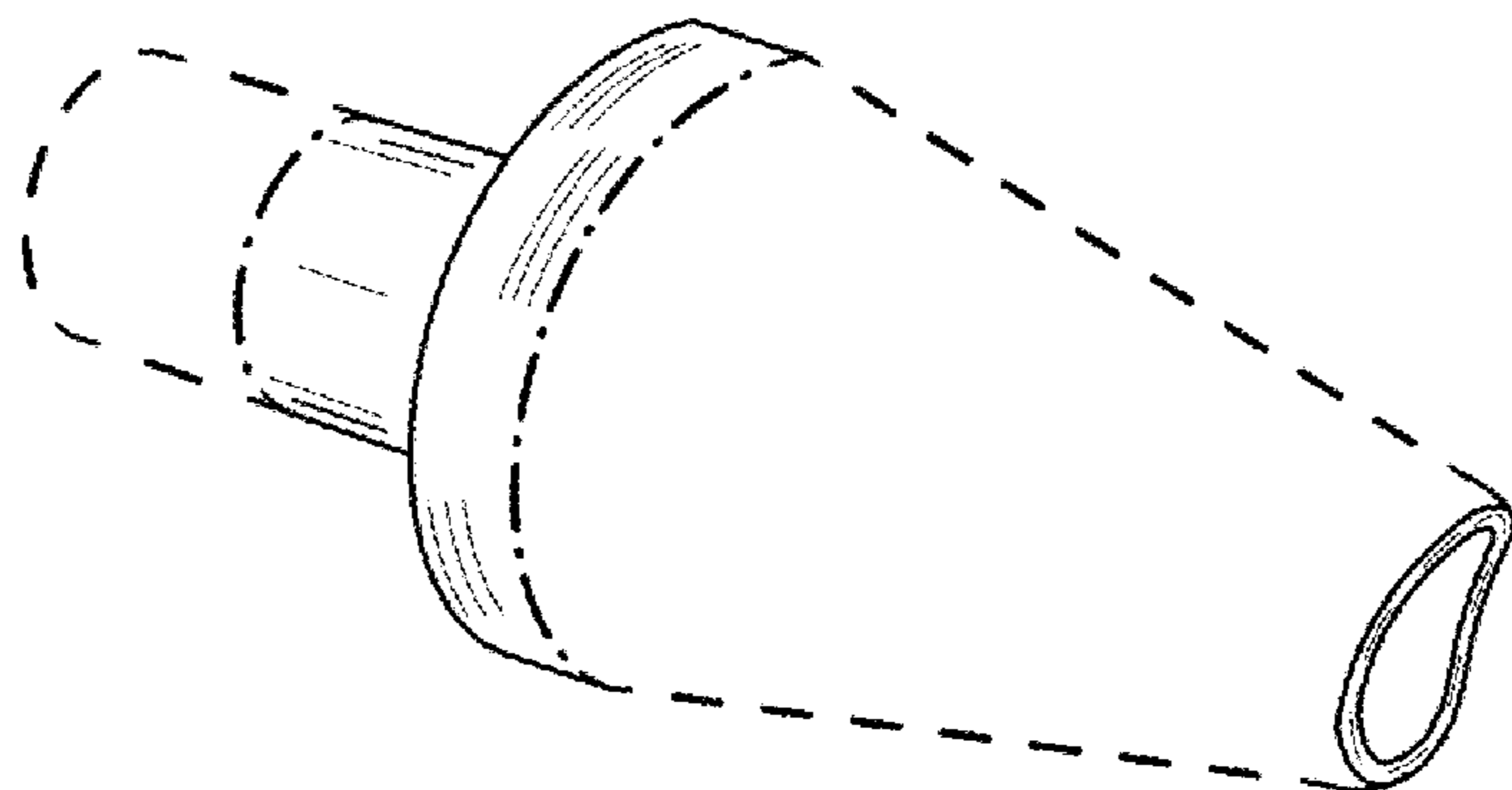
The dash-dot lines in FIGS. 1-3 represent boundary lines of the base portion and form no part of the claimed design. The portion of the fluid conduit transfer tip between the base portion and the front face forms no part of the claimed design. The relative spacing between the base portion and the front face forms no part of the claimed design. The dash-dash lines in FIGS. 1-3 represent portions of the article that form no part of the claimed design. The dash-dot line in FIG. 5 represents a boundary line of the claimed design and forms no part thereof.

(56) **References Cited**

U.S. PATENT DOCUMENTS

1,625,699 A 4/1927 Benton
2,533,697 A 11/1948 Stewart
2,764,317 A 11/1950 Lisciani
3,645,413 A 2/1972 Mitchell
3,897,006 A 7/1975 Tada
D243,456 S 2/1977 Ryan
4,286,735 A 9/1981 Sneider

1 Claim, 1 Drawing Sheet



(56)

References Cited

U.S. PATENT DOCUMENTS

4,830,235	A	5/1989	Miller
4,994,076	A	2/1991	Guss
5,154,317	A	10/1992	Roppolo
5,195,664	A	3/1993	Rhea
5,350,080	A	9/1994	Brown et al.
5,743,442	A	4/1998	Barbe
D408,079	S	4/1999	Ellis
6,234,412	B1	5/2001	von Schuckmann
6,302,304	B1	10/2001	Spencer
6,695,179	B2	2/2004	Mandile
D561,304	S	2/2008	Vansell et al.
7,464,834	B2	12/2008	Law et al.
7,490,743	B2	2/2009	Herzog
8,545,462	B2	10/2013	Ghannoum
2004/0060888	A1	4/2004	Ahn
2006/0163292	A1	7/2006	Wauters et al.
2013/0116597	A1	5/2013	Rudge
2015/0119863	A1	4/2015	Christensen
2016/0175530	A1	6/2016	Mide

OTHER PUBLICATIONS

Sally O.; Mommy's Reviews: "Contigo Autospout Gizmo Flip Water Bottle Review & Giveaway"; retrieved from www.mommysreviews.com/2015/08/contigo-autospout-gizmo-flip-water.html, publicly available at least as of Nov. 11, 2016; website visited Dec. 31, 2016.

* cited by examiner

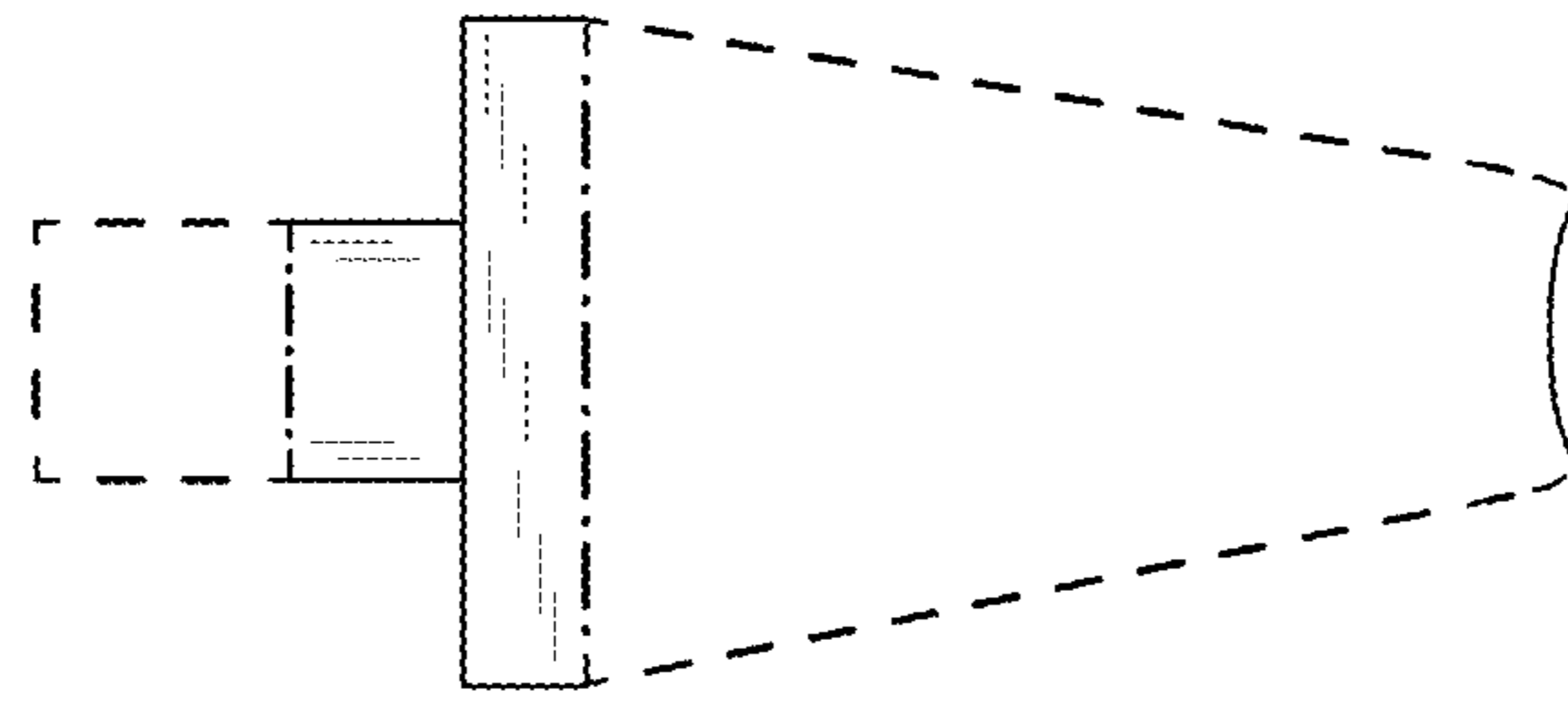


FIG. 1

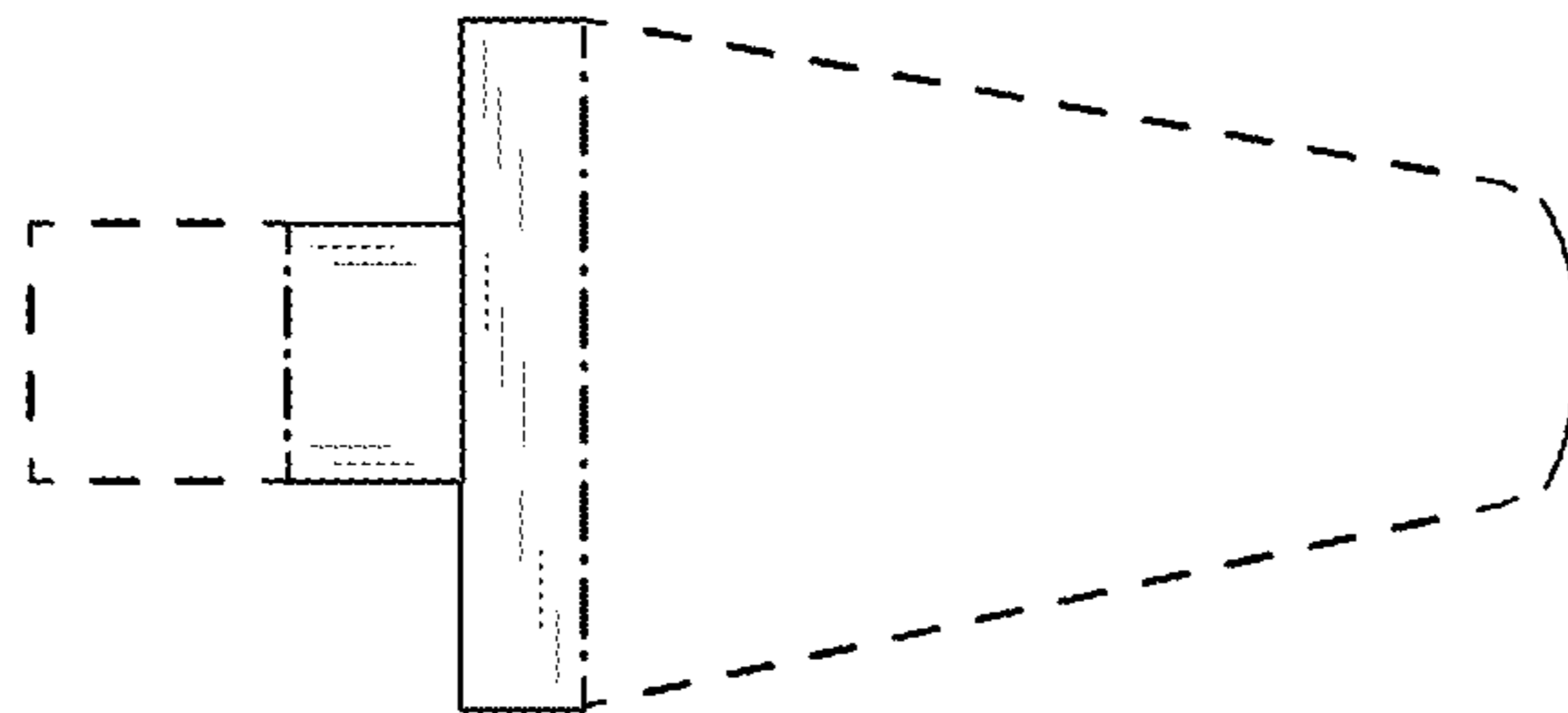


FIG. 2

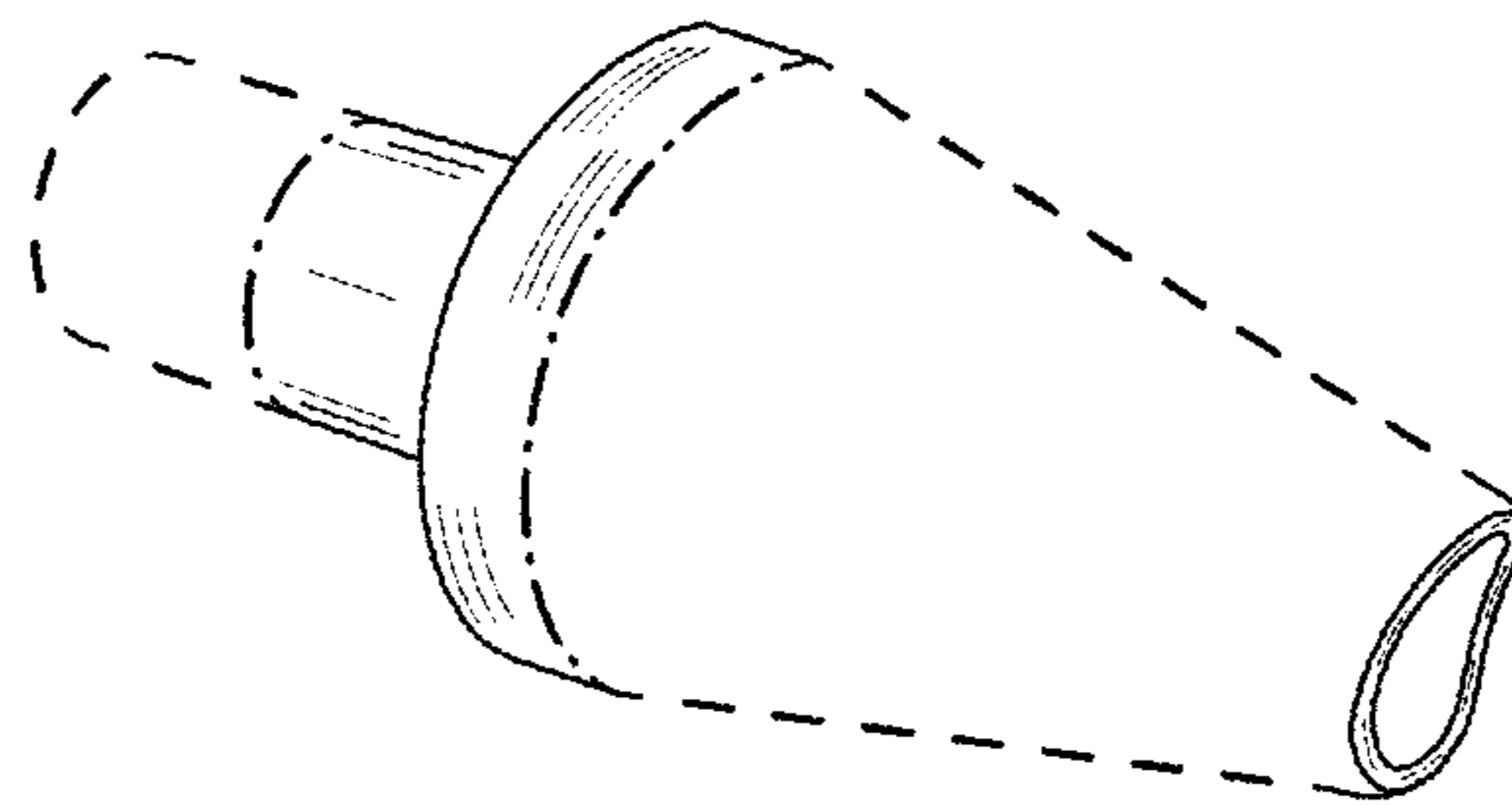


FIG. 3

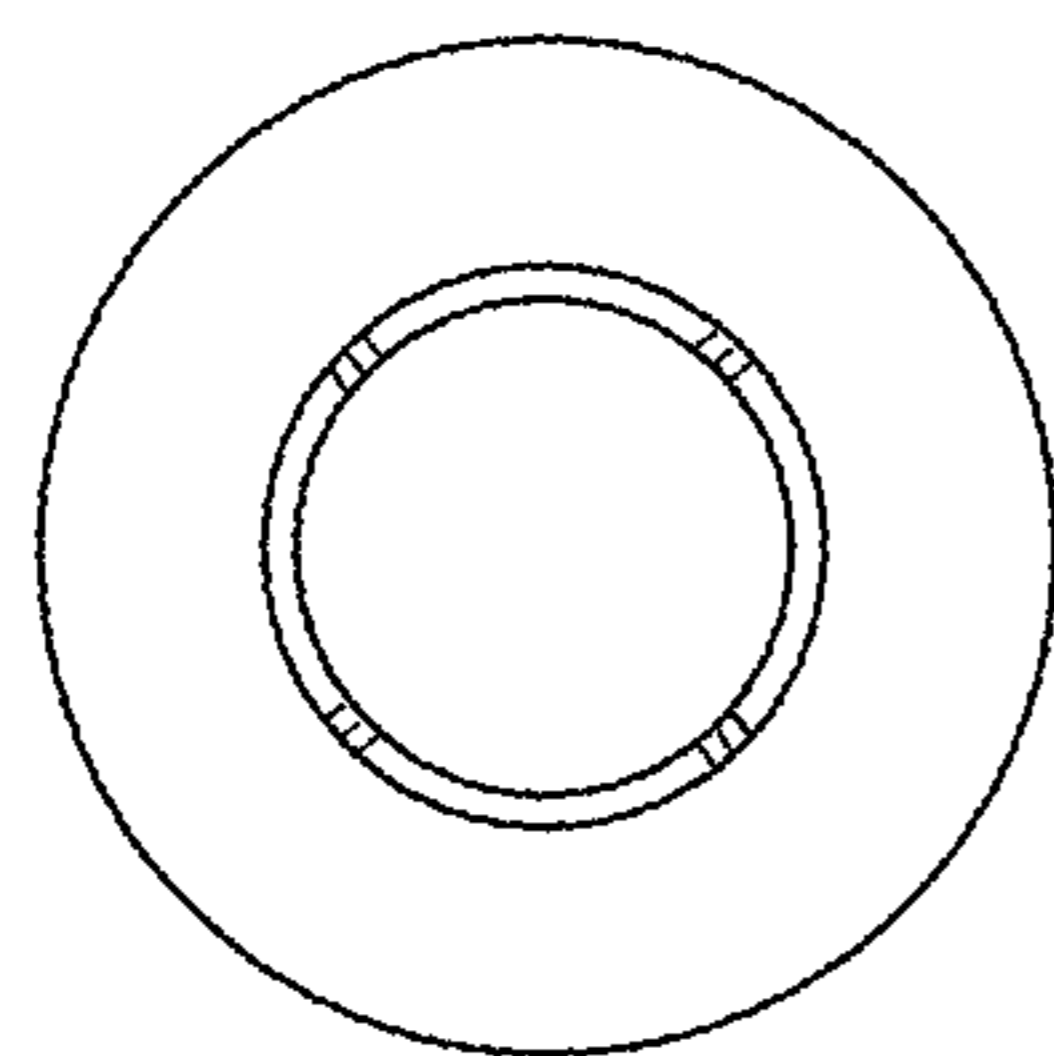


FIG. 4

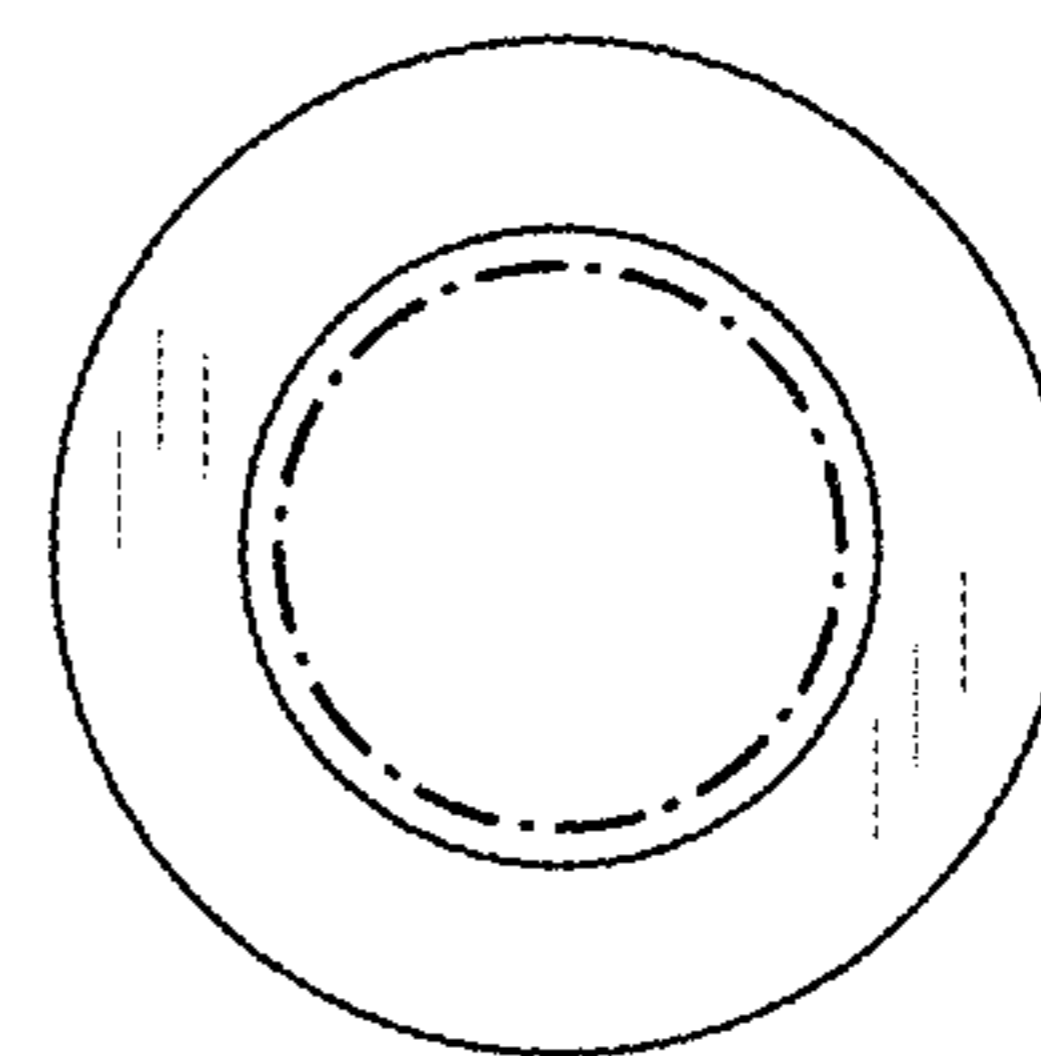


FIG. 5