



US00D813381S

(12) **United States Design Patent** (10) **Patent No.:** **US D813,381 S**
Pilkington et al. (45) **Date of Patent:** **** Mar. 20, 2018**

(54) **CONTAINER WITH LID**
(71) Applicant: **Cardinal Health Commercial Technologies, LLC**, Dublin, OH (US)
(72) Inventors: **Mark Allen Pilkington**, Powell, OH (US); **Benjamin Eli Stormer**, Worthington, OH (US); **Daniel Lee Michael**, Aurora, OH (US); **Jason R. Ertel**, Twinsburg, OH (US); **Vikki Nowak**, Cleveland Heights, OH (US)

D645,559 S * 9/2011 Green D24/121
D662,217 S * 6/2012 Brown D24/224
D670,377 S * 11/2012 Adams D24/123
D672,457 S * 12/2012 Foley D24/123
D674,482 S * 1/2013 Wurapa D24/121
D710,701 S * 8/2014 Lai D24/123
D711,195 S * 8/2014 Cornu D10/46.2
8,800,071 B2 * 8/2014 Sanchez Moreno ... A61G 9/003
4/452
D727,482 S * 4/2015 Brathwaite 4/114.1
D737,959 S * 9/2015 Wilson D24/123
D746,979 S * 1/2016 Dominguez D24/121

* cited by examiner

(73) Assignee: **CARDINAL HEALTH COMMERCIAL TECHNOLOGIES, LLC**, Dublin, OH (US)

Primary Examiner — David G Muller
(74) *Attorney, Agent, or Firm* — Adnan H. Bohri

(**) Term: **15 Years**

(57) **CLAIM**

(21) Appl. No.: **29/533,986**

The ornamental design for a container with lid, as shown and described.

(22) Filed: **Jul. 23, 2015**

DESCRIPTION

(51) **LOC (11) Cl.** **24-04**

(52) **U.S. Cl.**
USPC **D24/121**

(58) **Field of Classification Search**
USPC D24/121, 123, 224; 604/317–325
CPC A61M 1/0058; Y10T 137/3109
See application file for complete search history.

FIG. 1 is top perspective view of a container showing our new design;
FIG. 2 is a bottom perspective view thereof;
FIG. 3 is a rear elevation view thereof;
FIG. 4 is a front elevation view thereof;
FIG. 5 is a right side elevation view thereof;
FIG. 6 is left side elevation view thereof;
FIG. 7 is top plan view thereof; and,
FIG. 8 is bottom plan view thereof.

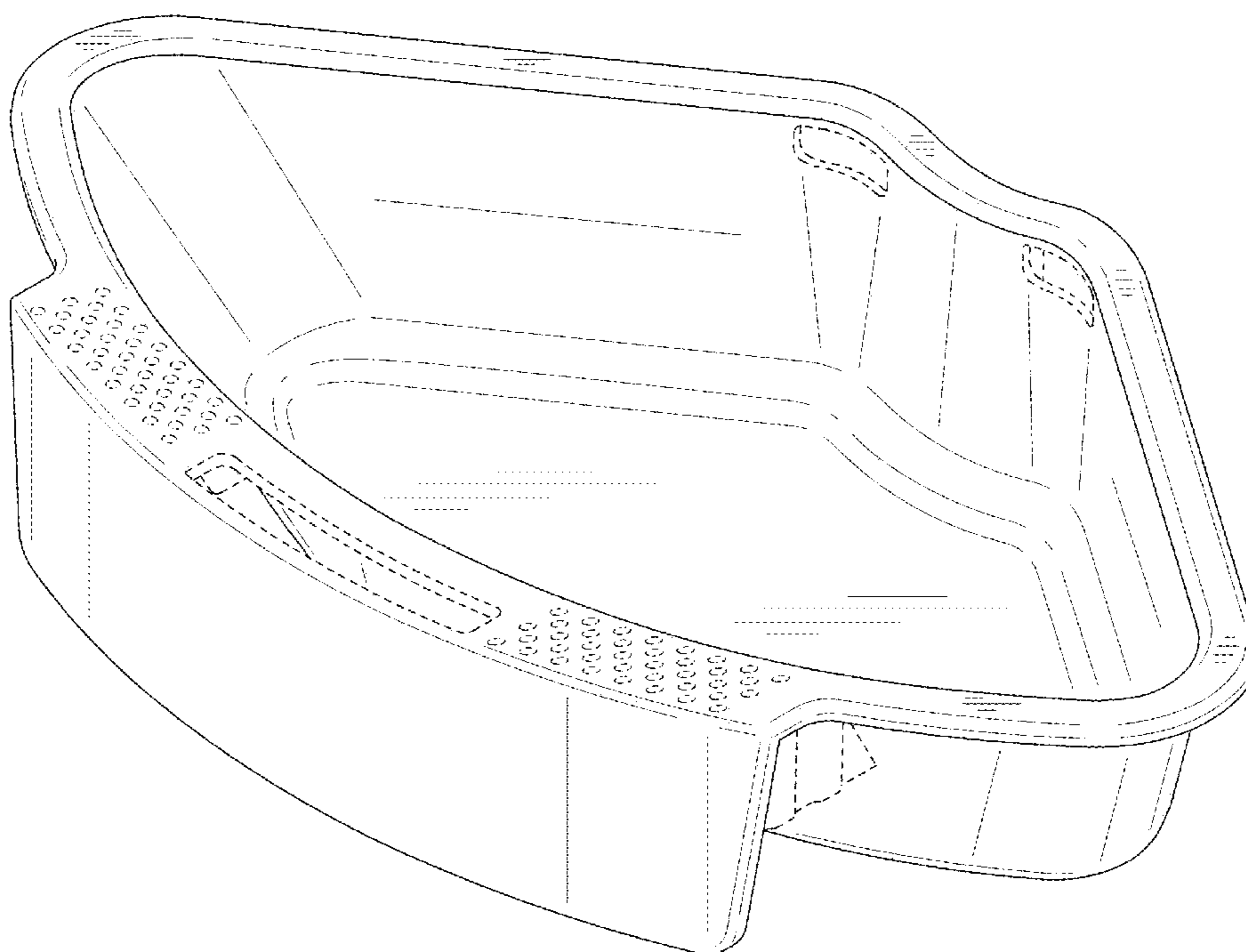
The features shown in broken lines depict environmental structure only and form no part of the claimed design.

(56) **References Cited**

U.S. PATENT DOCUMENTS

D597,203 S * 7/2009 Tauer D24/121
D627,062 S * 11/2010 Tanguay D24/123

1 Claim, 8 Drawing Sheets



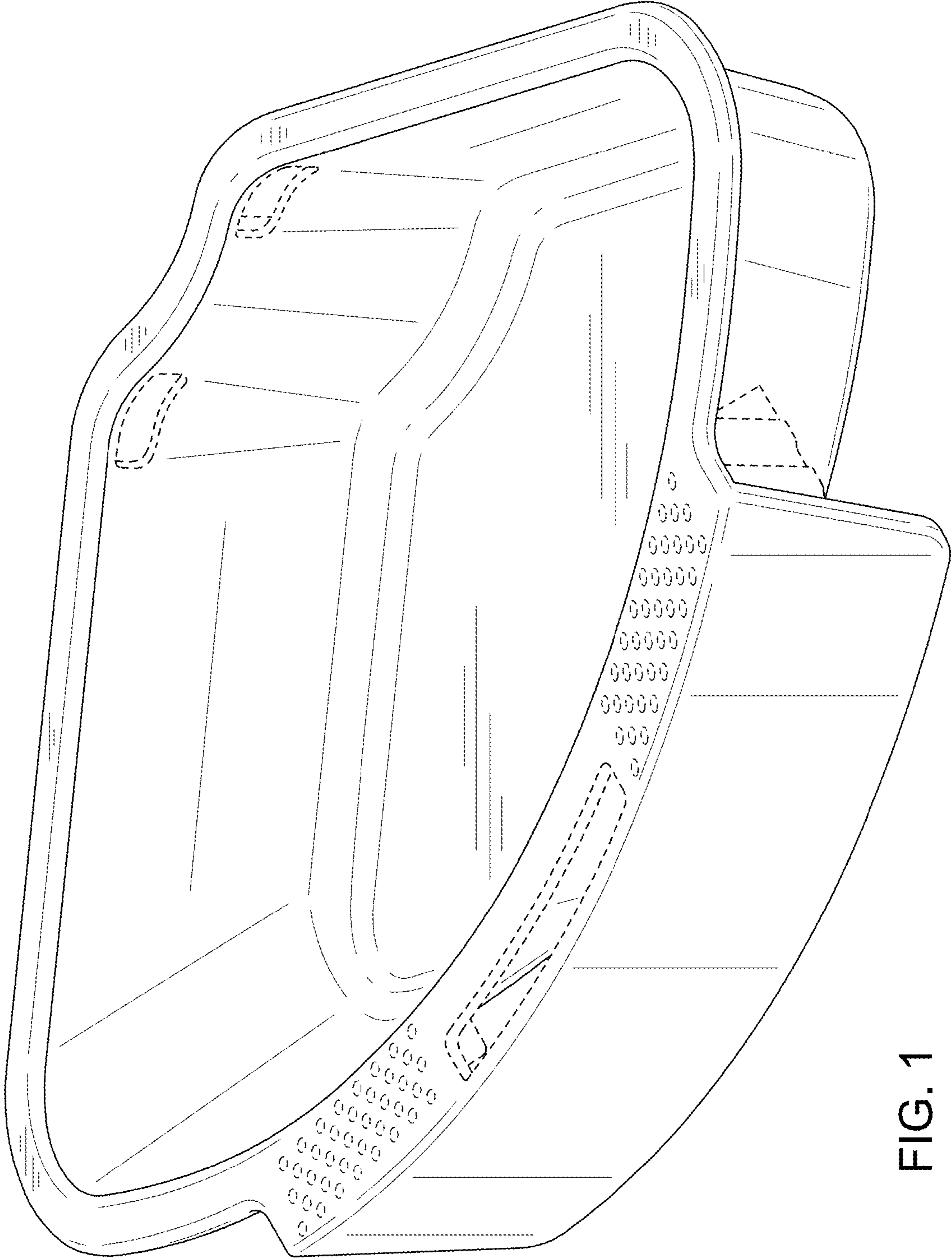


FIG. 1

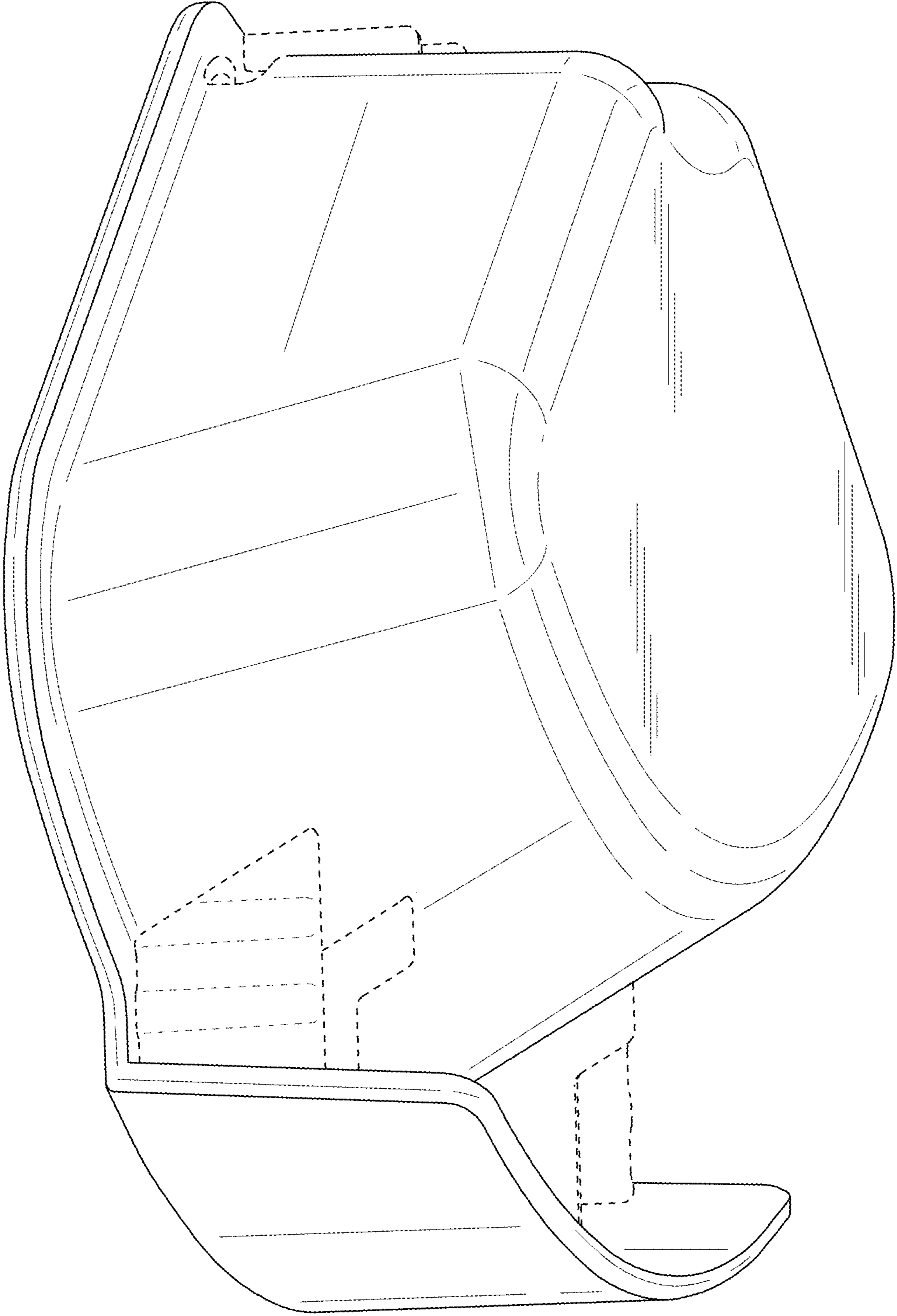


FIG. 2

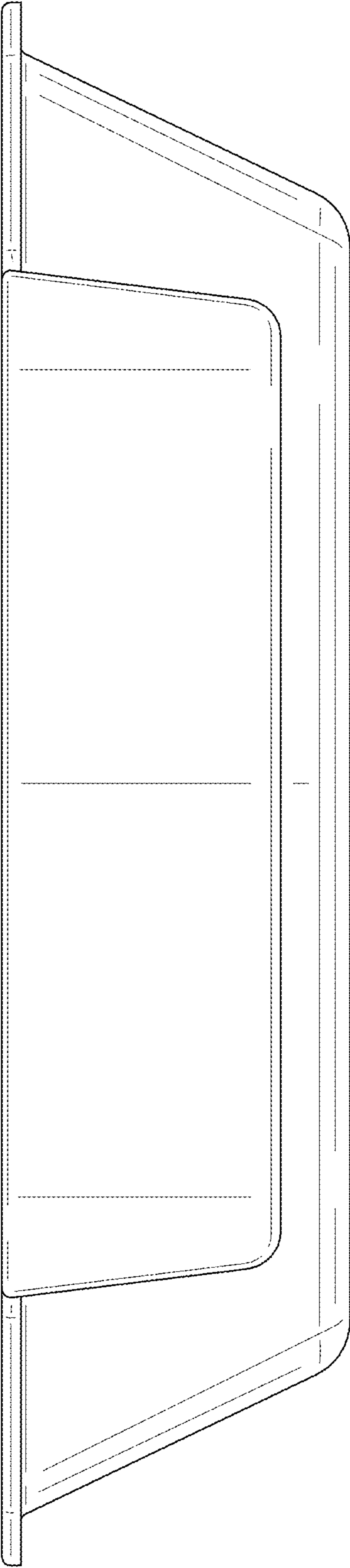


FIG. 3

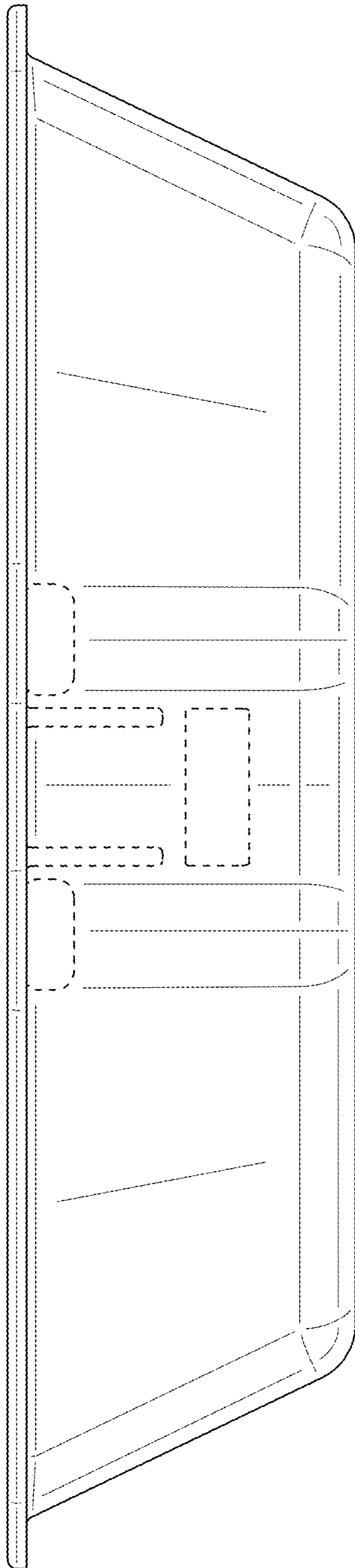


FIG. 4

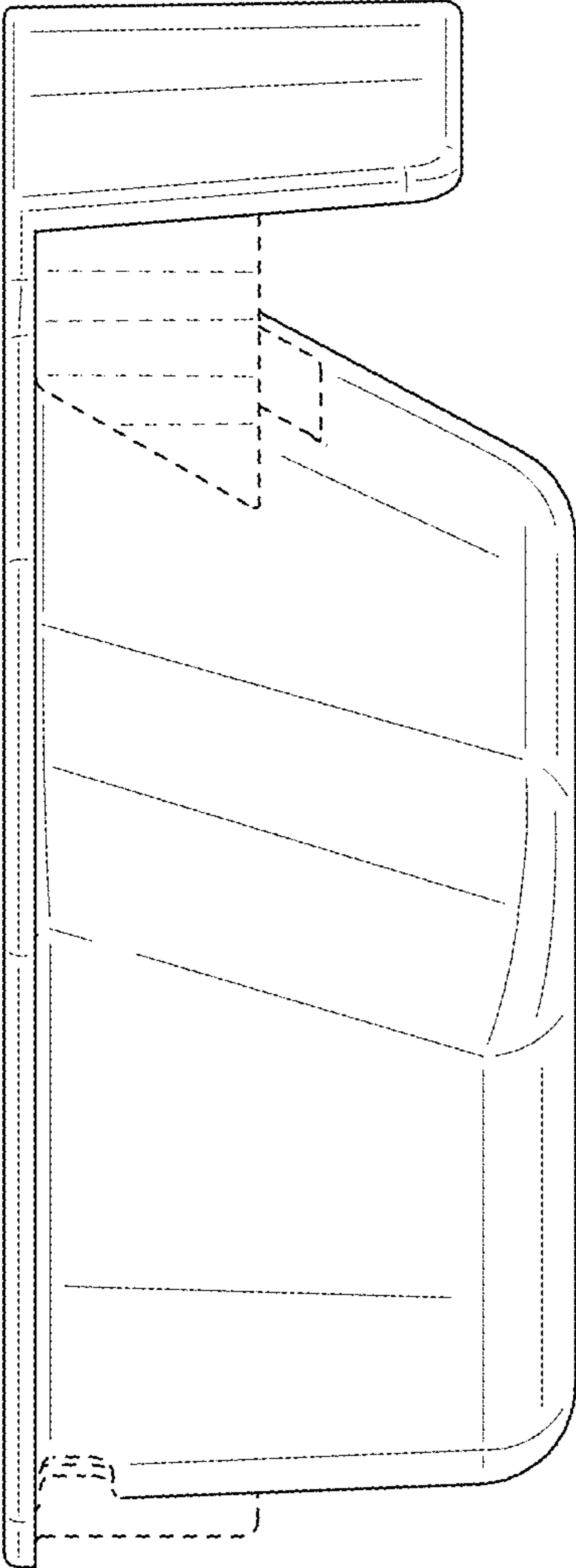


FIG. 5

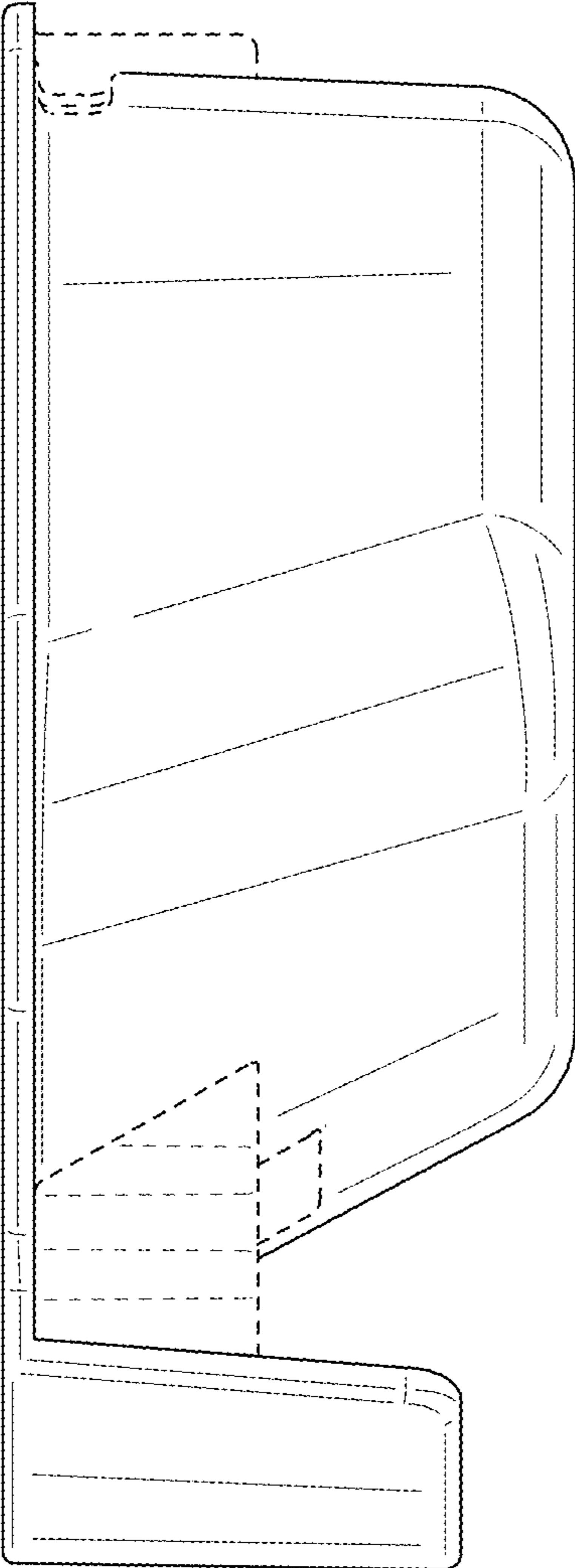


FIG. 6

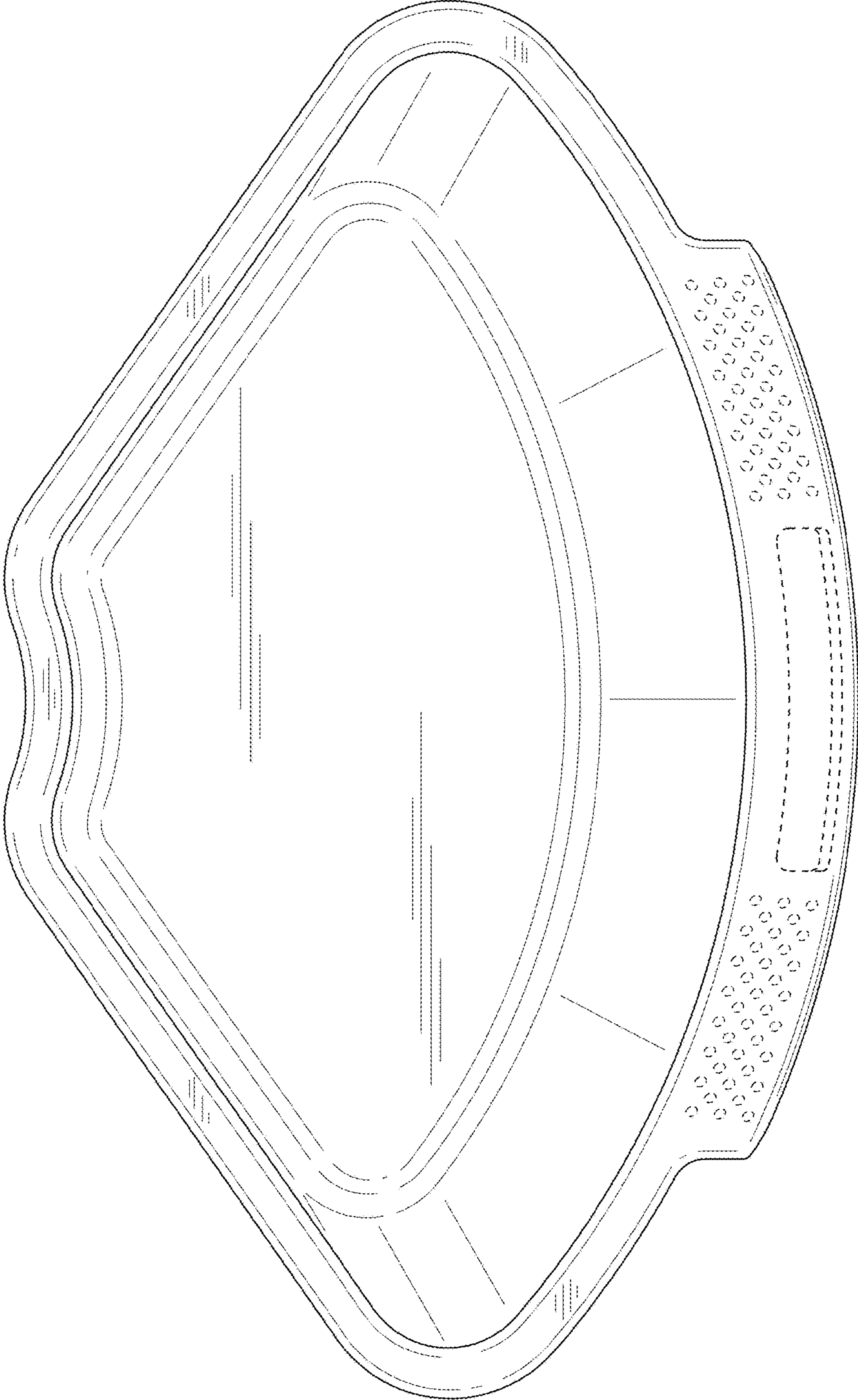


FIG. 7

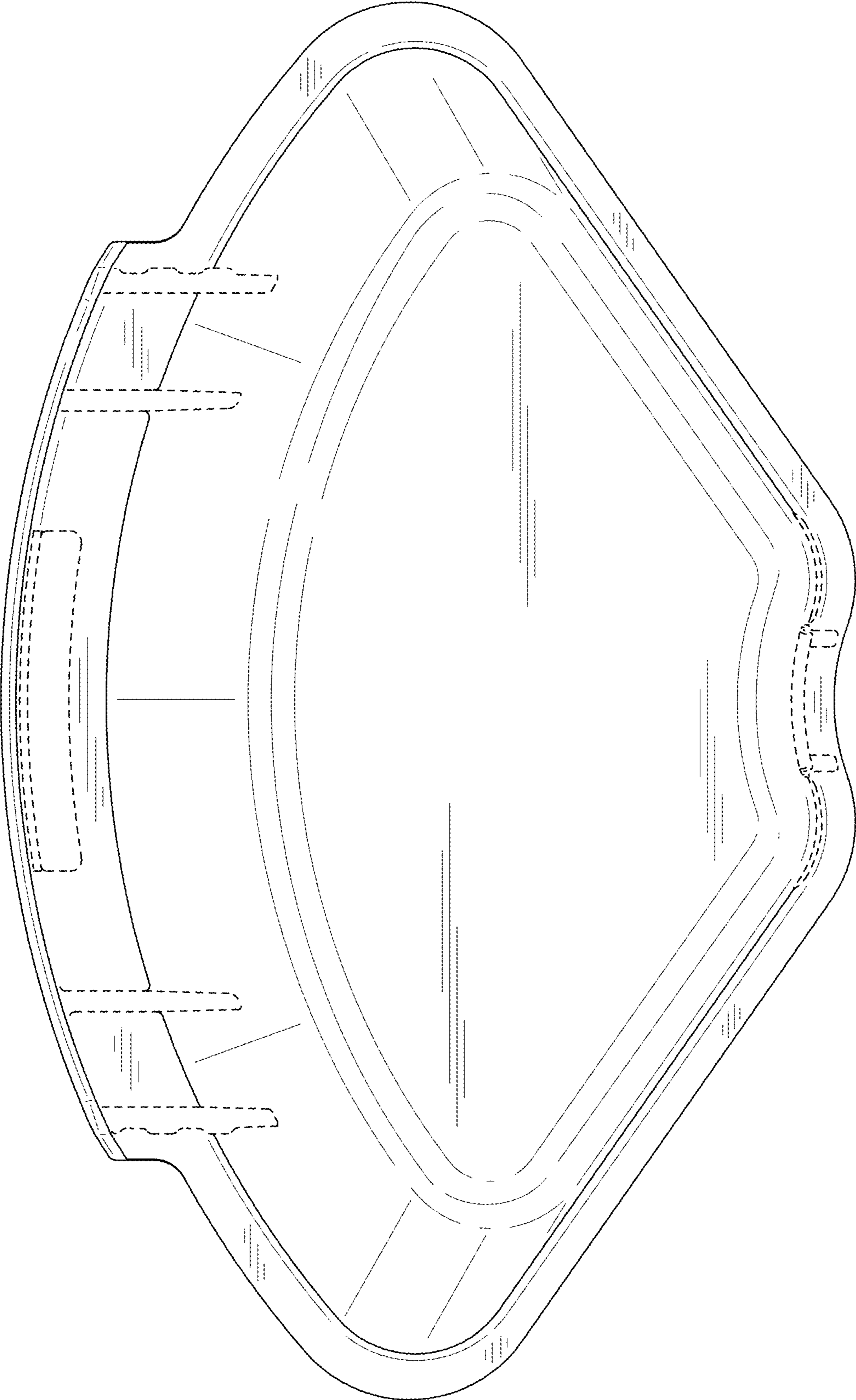


FIG. 8