



US00D813380S

(12) **United States Design Patent** (10) **Patent No.:** **US D813,380 S**
Stonecipher et al. (45) **Date of Patent:** **** Mar. 20, 2018**

(54) **ON-BODY INJECTOR**
(71) Applicant: **AMGEN INC.**, Thousand Oaks, CA (US)
(72) Inventors: **Brian Stonecipher**, Newbury Park, CA (US); **Peter V. Shultz**, Woodland Hills, CA (US); **Lisa Nugent**, Malibu, CA (US); **Margaux Frances Boyaval**, Newbury Park, CA (US); **Sigrid Moeslinger**, New York, NY (US); **Masamichi Udagawa**, New York, NY (US)

D638,534 S * 5/2011 Moga D24/113
8,231,577 B2 * 7/2012 Carter A61M 5/14216
128/DIG. 26
D675,728 S * 2/2013 Tout D24/108
D684,686 S * 6/2013 Cronenberg D24/108
D685,083 S * 6/2013 Schneider D24/108
D687,140 S * 7/2013 Guarraia D24/108
D687,141 S * 7/2013 Schneider D24/108
D687,536 S * 8/2013 Guarraia D24/108
D688,784 S * 8/2013 Schneider D24/108
9,173,997 B2 * 11/2015 Gross A61M 5/14566
D754,842 S * 4/2016 Sonderegger D24/108
D760,374 S * 6/2016 Nagar D24/108
D776,253 S * 1/2017 Li D24/108
D776,265 S * 1/2017 Tyce D24/113

(73) Assignee: **AMGEN INC.**, Thousand Oaks, CA (US)

* cited by examiner

(**) Term: **15 Years**

Primary Examiner — David Muller

(21) Appl. No.: **29/573,430**

(74) *Attorney, Agent, or Firm* — Marshall, Gerstein & Borun LLP

(22) Filed: **Aug. 5, 2016**

(57) **CLAIM**

(51) **LOC (11) Cl.** **24-02**

The ornamental design for an on-body injector, as shown and described.

(52) **U.S. Cl.**
USPC **D24/113**

(58) **Field of Classification Search**
USPC D24/112–114, 108, 133, 130, 127, 186;
606/181, 185; 604/264, 272, 187, 181,
604/184, 227
CPC A61M 5/178; A61M 3/00; A61M 5/20;
A61M 5/31; A61M 5/3146; A61M
5/3129; A61M 5/3148; A61M 5/315
See application file for complete search history.

DESCRIPTION

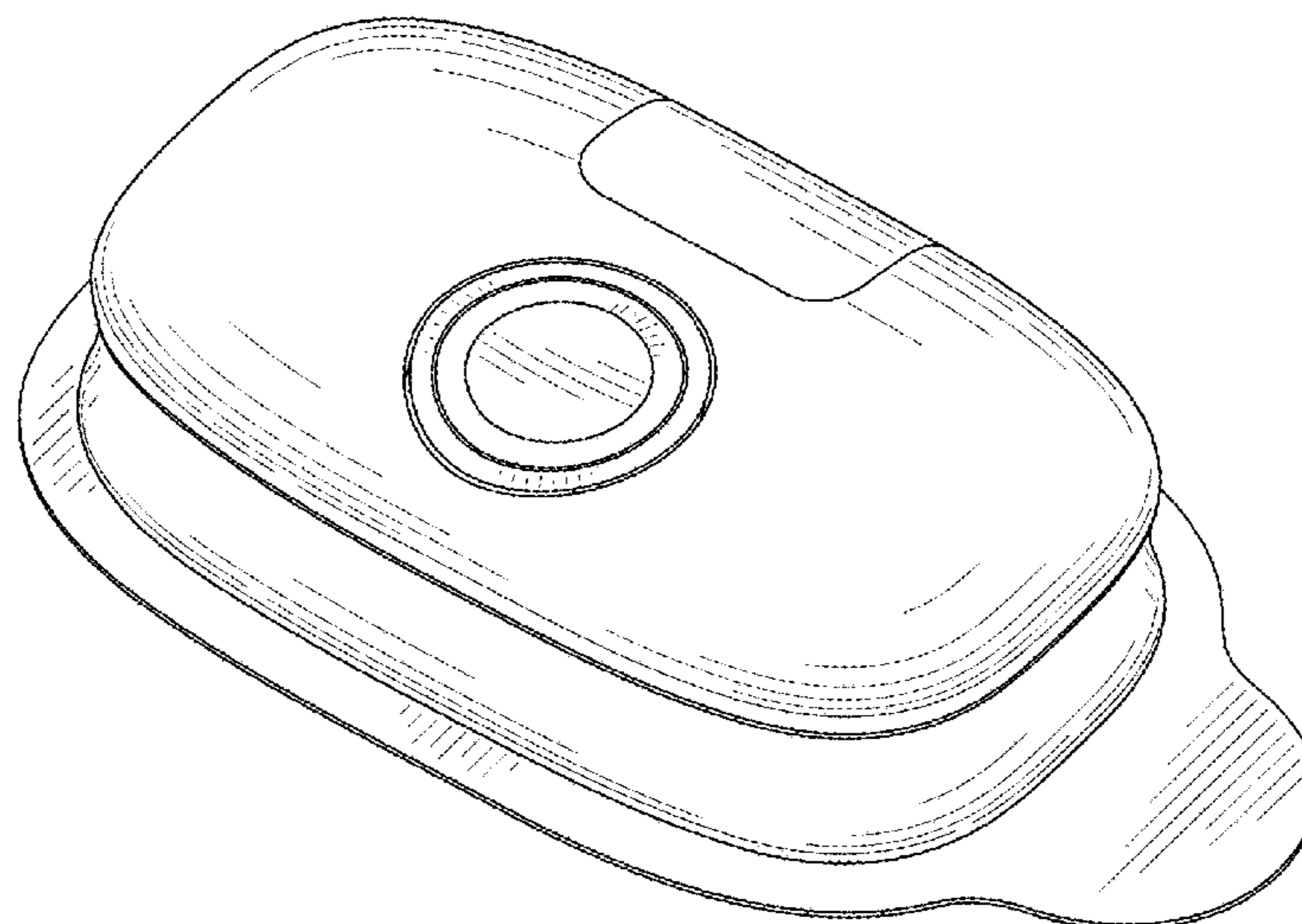
FIG. 1 is a perspective view showing a new design for an on-body injector;
FIG. 2 is a right side view of the on-body injector of FIG. 1;
FIG. 3 is a left side view of the on-body injector of FIG. 1;
FIG. 4 is a rear view of the on-body injector of FIG. 1;
FIG. 5 is a front view of the on-body injector of FIG. 1;
FIG. 6 is a top view of the on-body injector of FIG. 1; and,
FIG. 7 is a bottom view of the on-body injector of FIG. 1.

(56) **References Cited**

U.S. PATENT DOCUMENTS

6,908,452 B2 * 6/2005 Diaz A61M 5/14216
604/131
D619,245 S * 7/2010 Moga D24/113

1 Claim, 4 Drawing Sheets



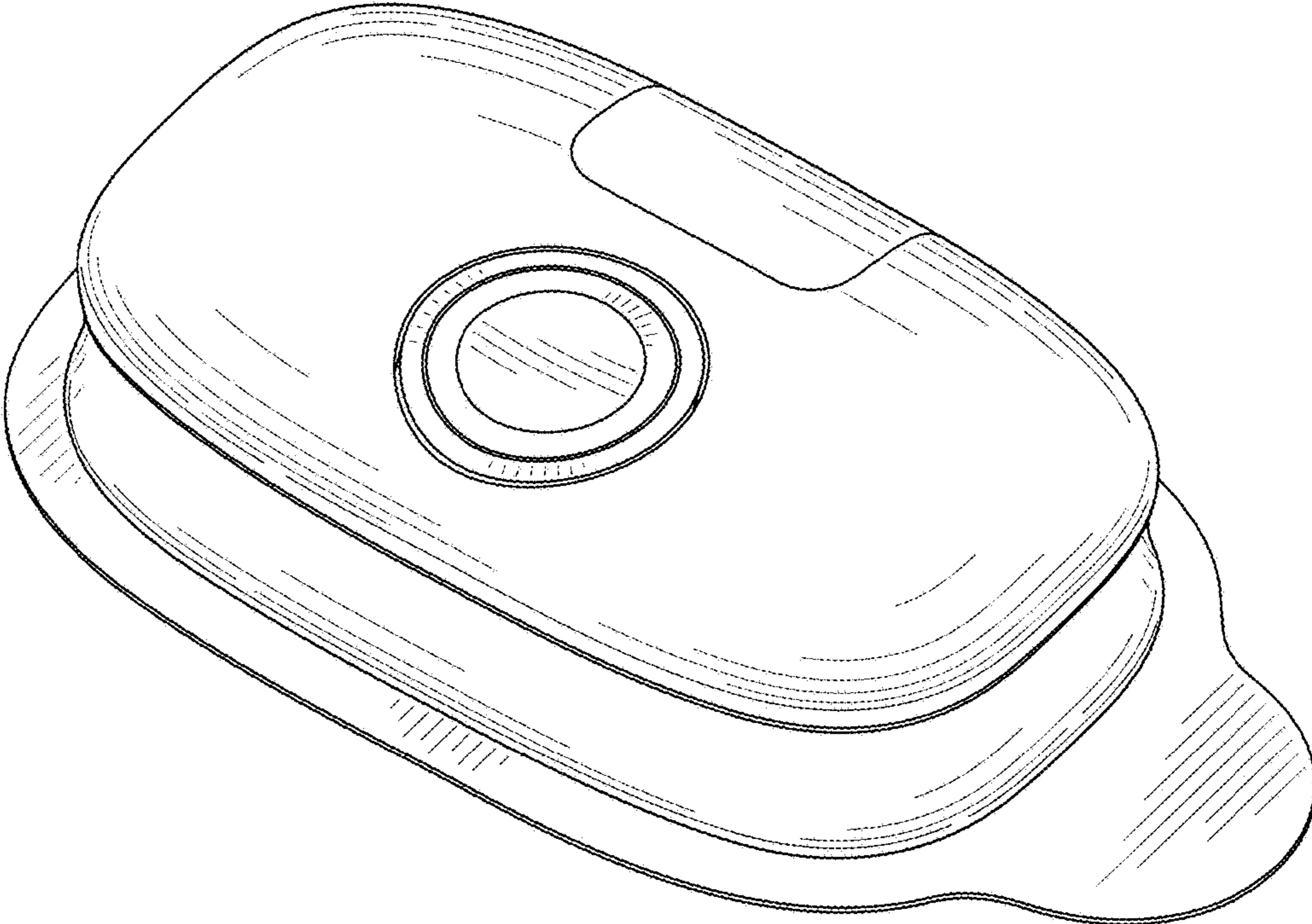


FIG. 1

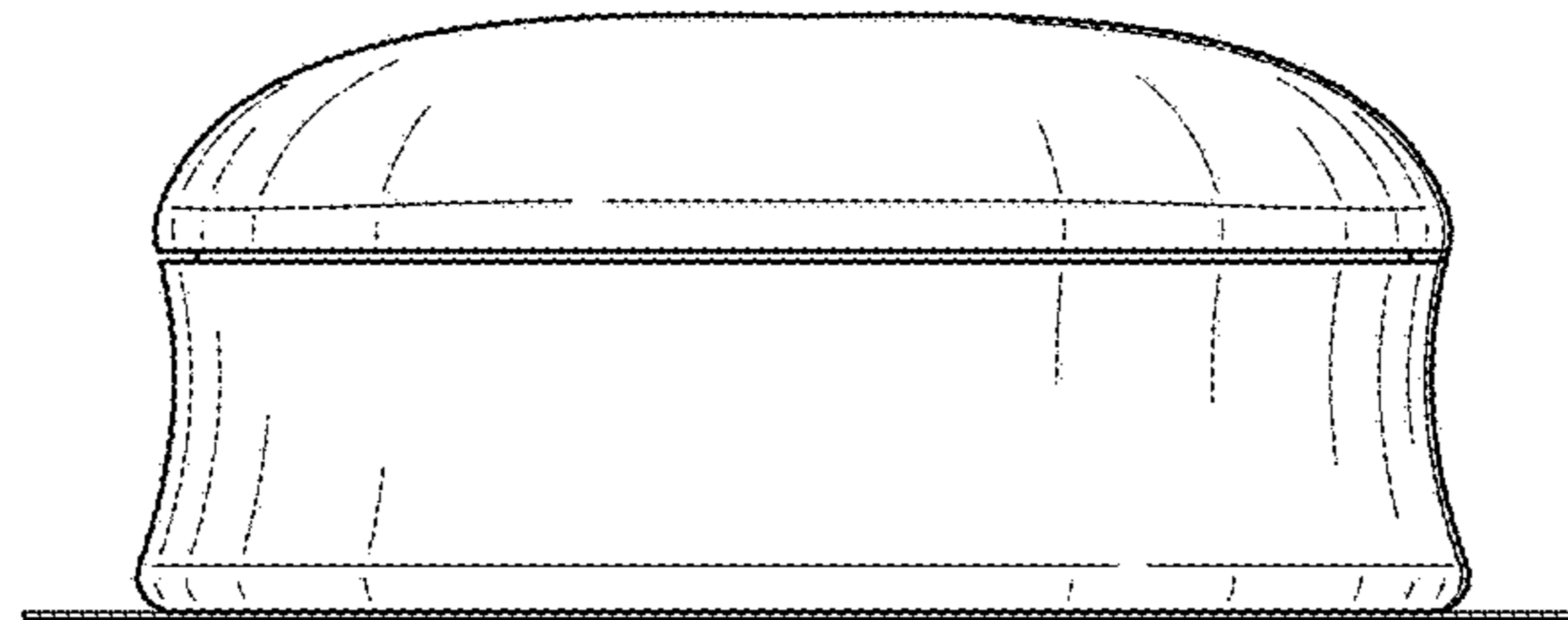


FIG. 2

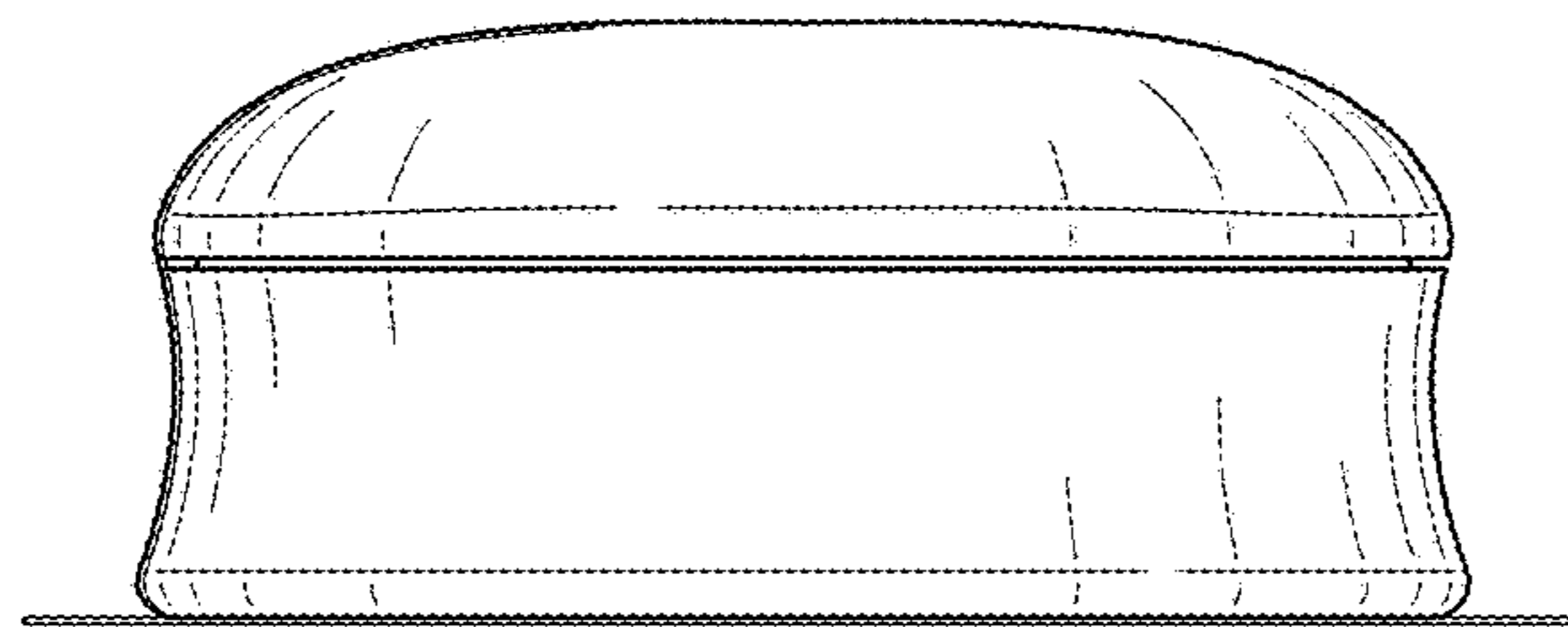


FIG. 3

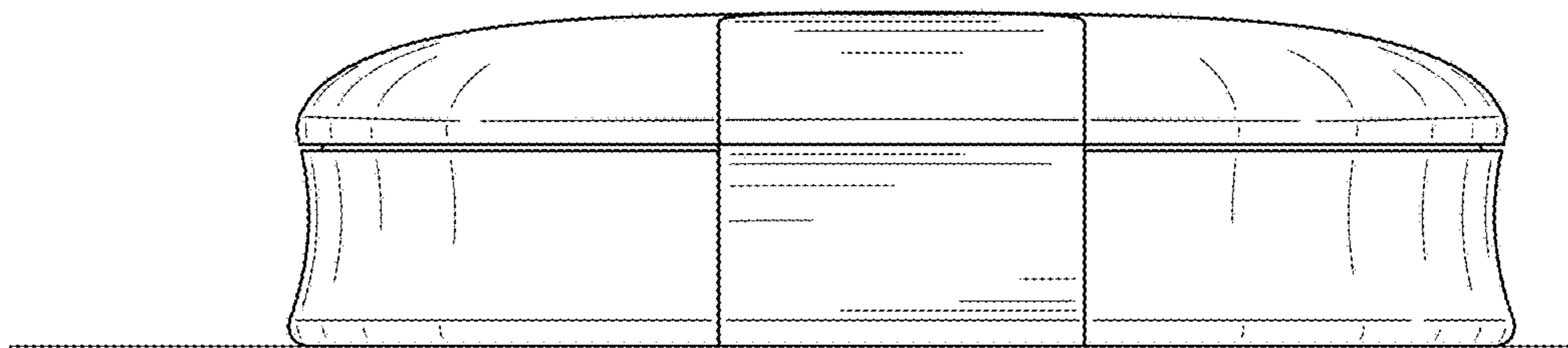


FIG. 4

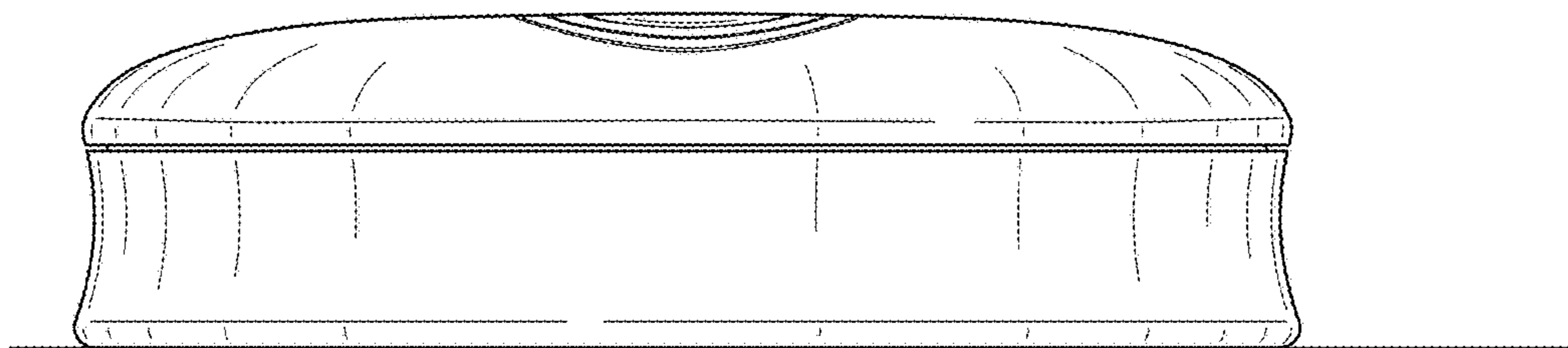


FIG. 5

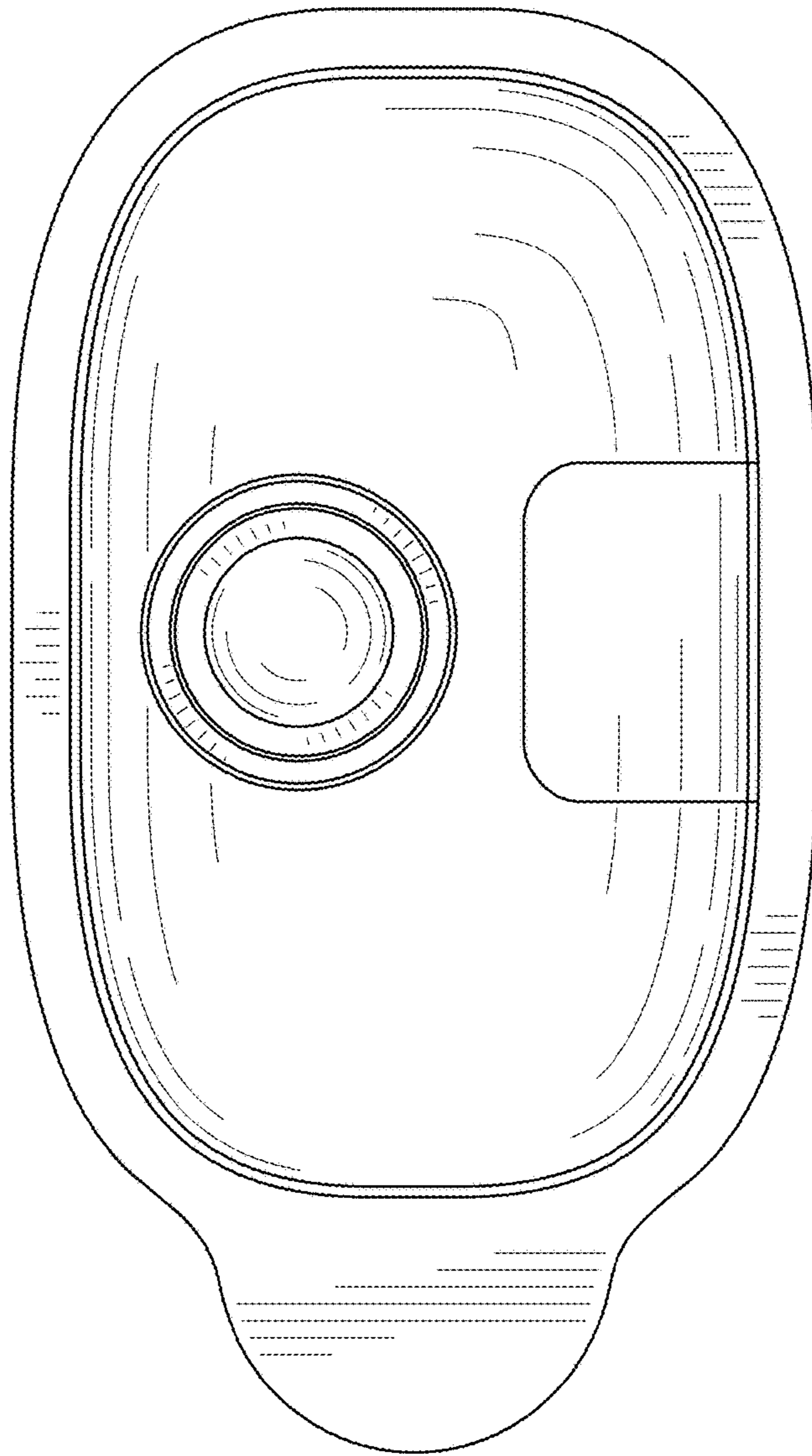


FIG. 6

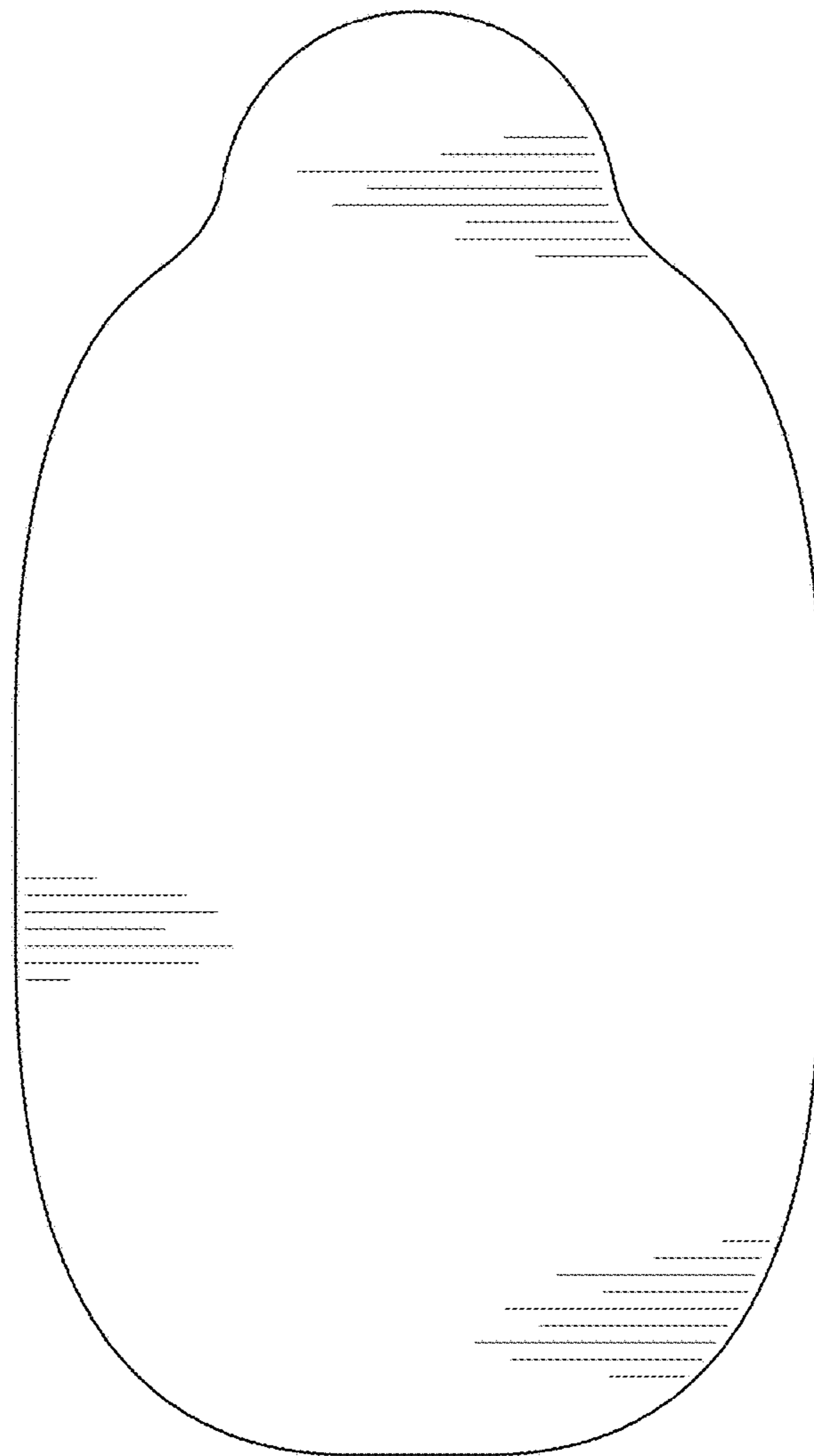


FIG. 7