



US00D813378S

(12) **United States Design Patent**
Mills et al.

(10) **Patent No.:** **US D813,378 S**
(45) **Date of Patent:** **** Mar. 20, 2018**

(54) **SYRINGE ASSEMBLY HAVING AN INTEGRATED SAFETY FEATURE**

(71) Applicant: **Becton Dickinson France, Le Pont-de-Claix (FR)**

(72) Inventors: **Freddy Mills**, Fontanil Cornillon (FR); **Franck Carrel**, Saint Jean de Vaulx (FR); **Marc William Hunter**, Highland, IL (US); **Benjamin Cooper Priess**, St. Charles, MO (US)

(73) Assignee: **Becton Dickinson France, Le Pont-de-Claix (FR)**

(**) Term: **15 Years**

(21) Appl. No.: **29/579,506**

(22) Filed: **Sep. 30, 2016**

(51) **LOC (11) Cl.** **24-02**

(52) **U.S. Cl.**
USPC **D24/112**

(58) **Field of Classification Search**
USPC D24/112-114, 108, 133, 130, 127, 186; 606/181, 185; 604/264, 272, 187, 181, 604/184, 227
CPC A61M 5/178; A61M 3/00; A61M 5/20; A61M 5/31; A61M 5/3146; A61M 5/3129; A61M 5/3148; A61M 5/315
See application file for complete search history.

(56) **References Cited**

U.S. PATENT DOCUMENTS

D628,690 S	*	12/2010	Galbraith	D24/114
D696,773 S	*	12/2013	Schneider	D24/113
D696,774 S	*	12/2013	Guarraia	D24/113
D708,317 S	*	7/2014	Schneider	D24/113

D758,566 S	*	6/2016	Chen	D24/113
D758,569 S	*	6/2016	Wohlfahrt	D24/113
D765,522 S	*	9/2016	Spraw	D10/49
D770,610 S	*	11/2016	Saussaye	D24/113
D773,649 S	*	12/2016	Wohlfahrt	D24/113
D774,641 S	*	12/2016	Miggels	D24/113
D776,261 S	*	1/2017	Jones	D24/113
D780,909 S	*	3/2017	Burkett	D24/113
D782,035 S	*	3/2017	Bainton	D24/113

* cited by examiner

Primary Examiner — David G Muller

(74) *Attorney, Agent, or Firm* — The Webb Law Firm

(57) **CLAIM**

The ornamental design for a syringe assembly having an integrated safety feature, as shown and described.

DESCRIPTION

FIG. 1 is a rearwardly-directed perspective view of a syringe assembly having an integrated safety feature in accordance with an embodiment of the present invention.

FIG. 2 is a frontwardly-directed perspective view of the syringe assembly of FIG. 1.

FIG. 3 is a bottom view of the syringe assembly of FIG. 1.

FIG. 4 is a top view of the syringe assembly of FIG. 1.

FIG. 5 is a left-side view of the syringe assembly of FIG. 1.

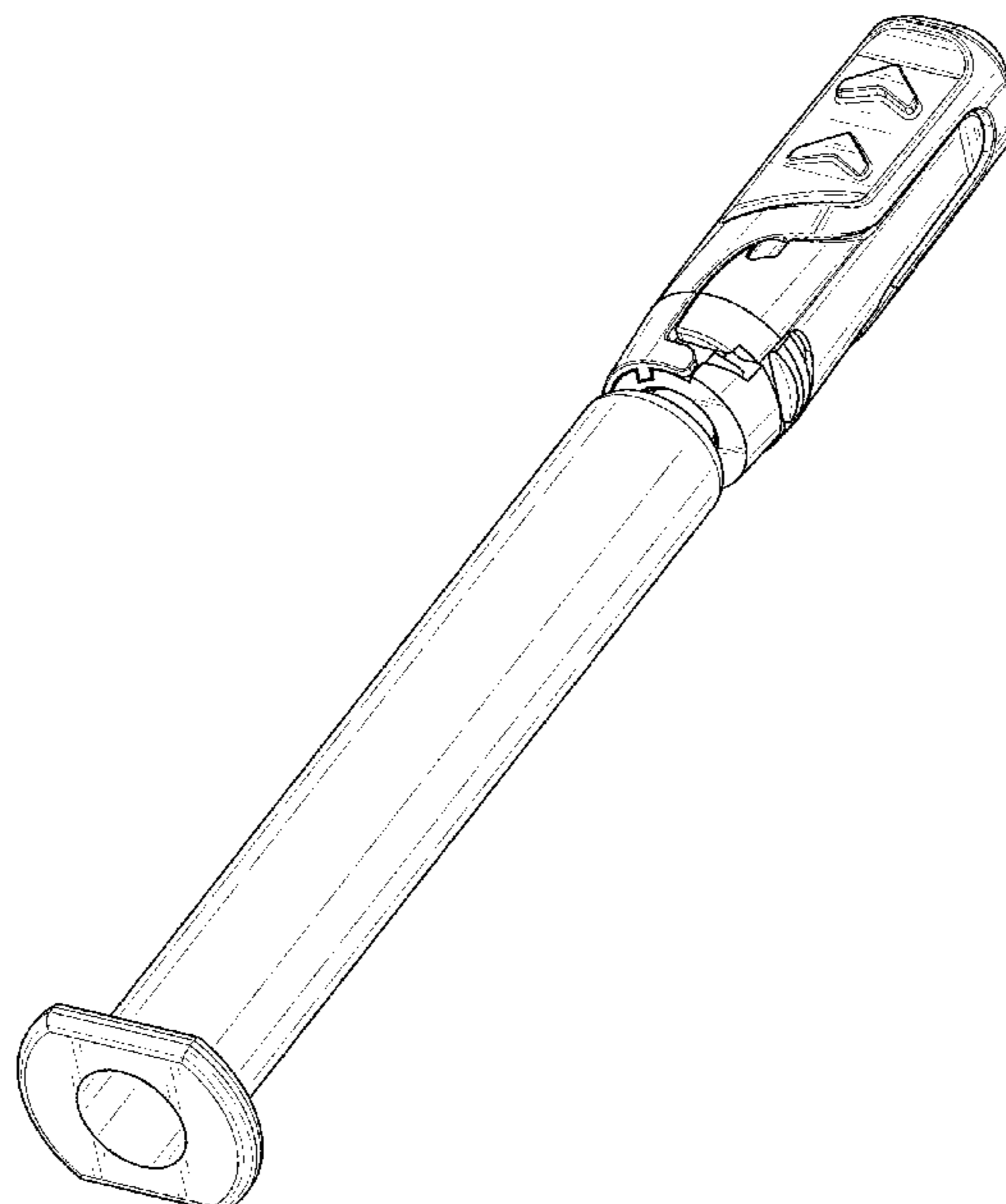
FIG. 6 is a right-side view of the syringe assembly of FIG. 1.

FIG. 7 is an enlarged front view of the syringe assembly of FIG. 1; and,

FIG. 8 is an enlarged rear view of the syringe assembly of FIG. 1.

Portions of the syringe assembly having an integrated safety feature shown in dashed lines in FIG. 8 depict unclaimed portions of the syringe assembly having an integrated safety feature that are included for environmental purposes only.

1 Claim, 5 Drawing Sheets



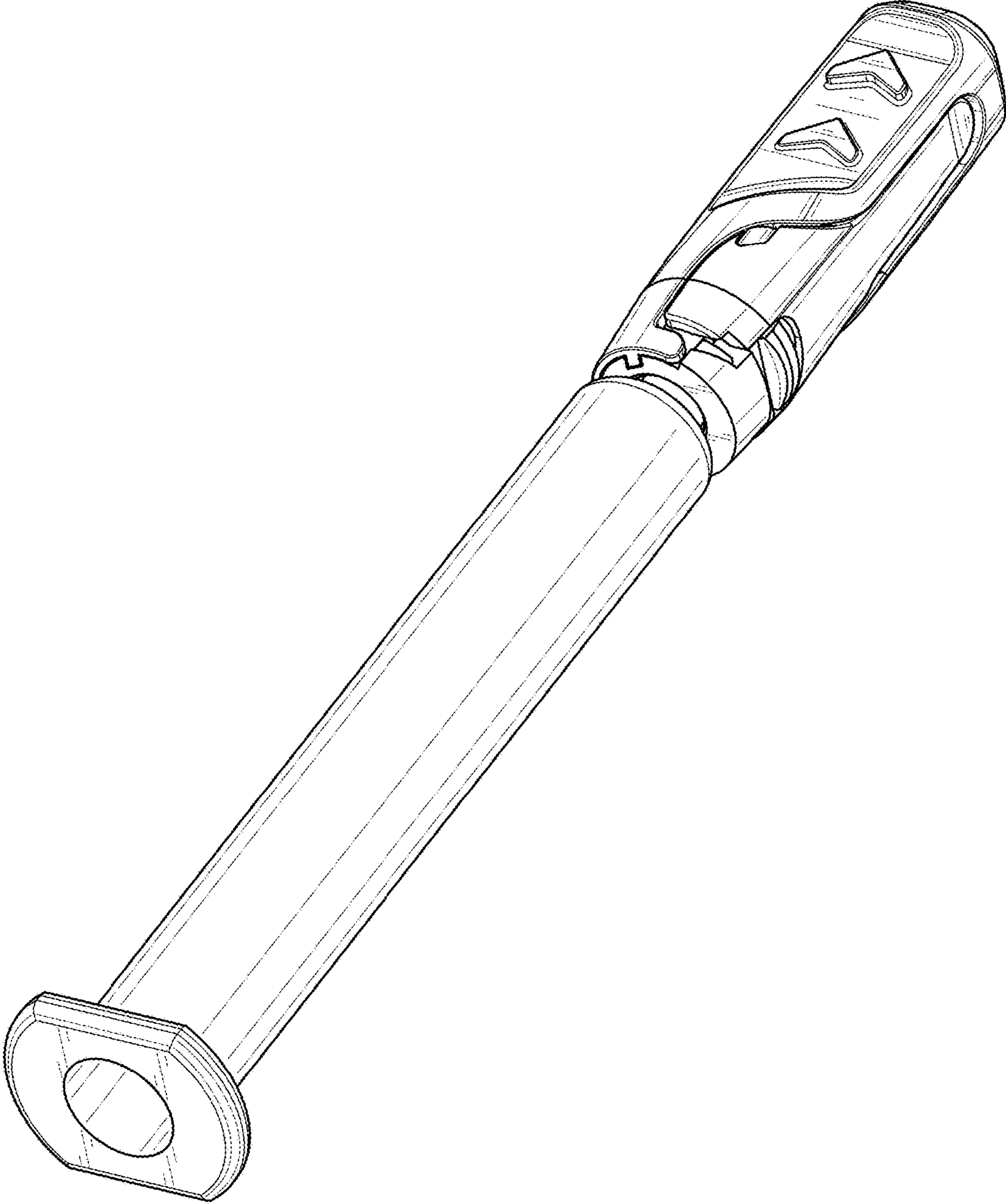


FIG. 1

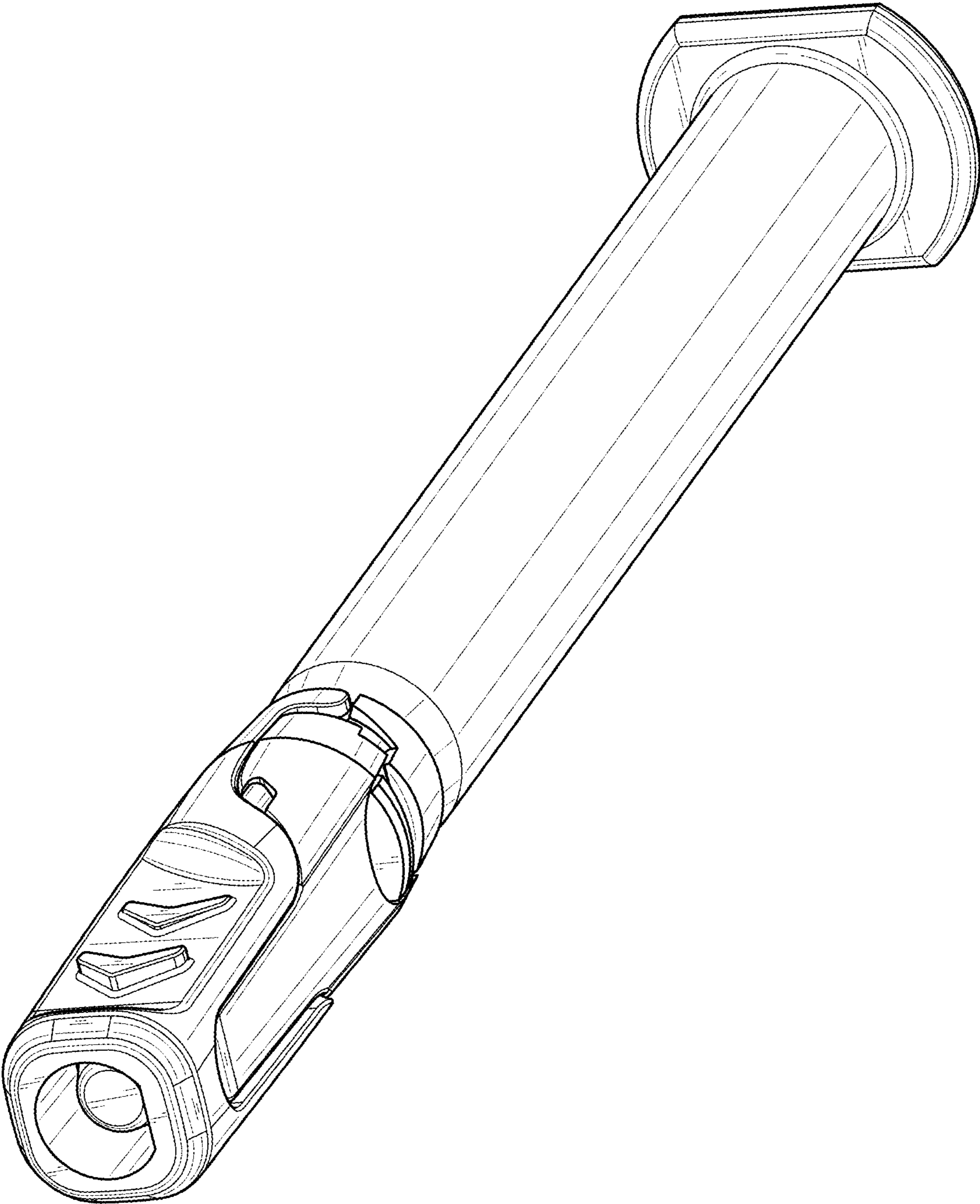


FIG. 2

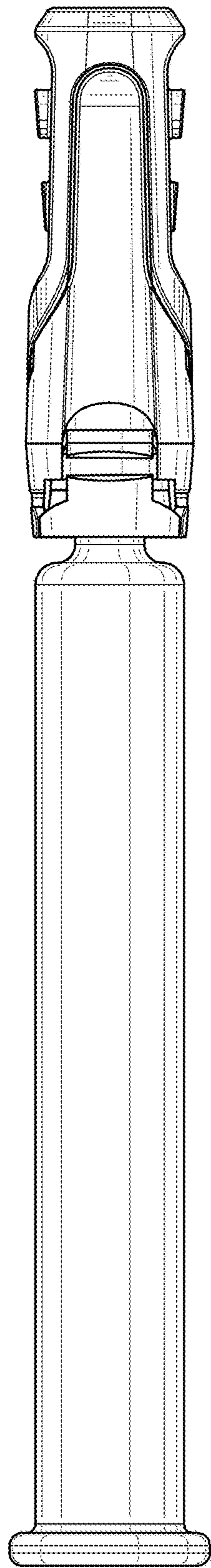


FIG. 3

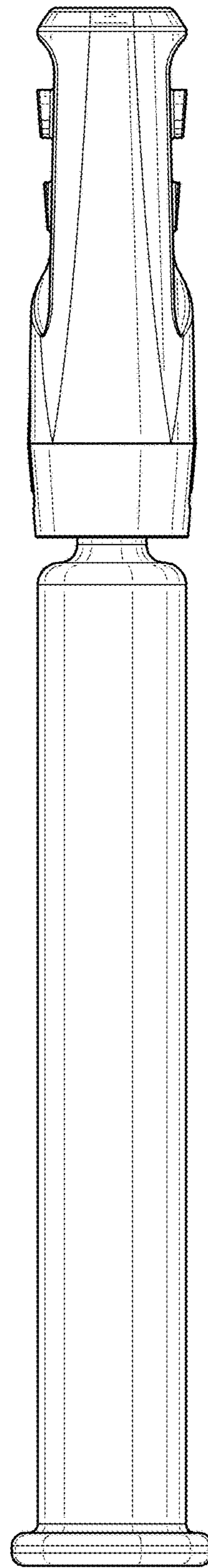


FIG. 4

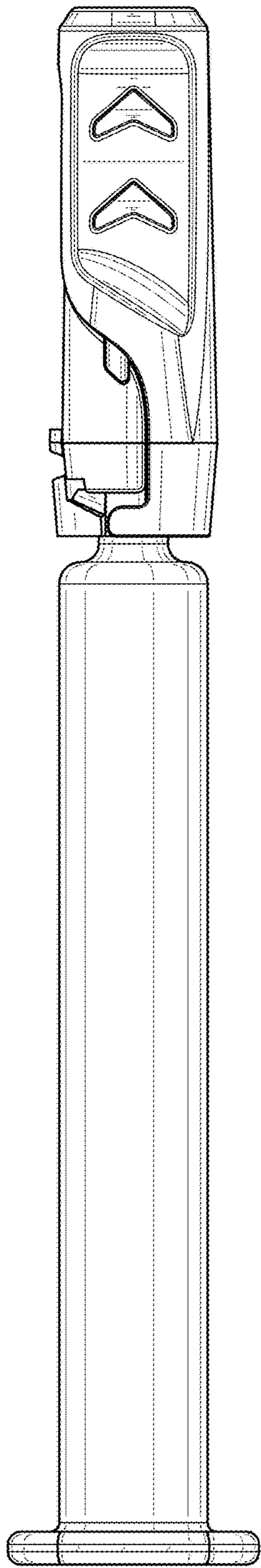


FIG. 5

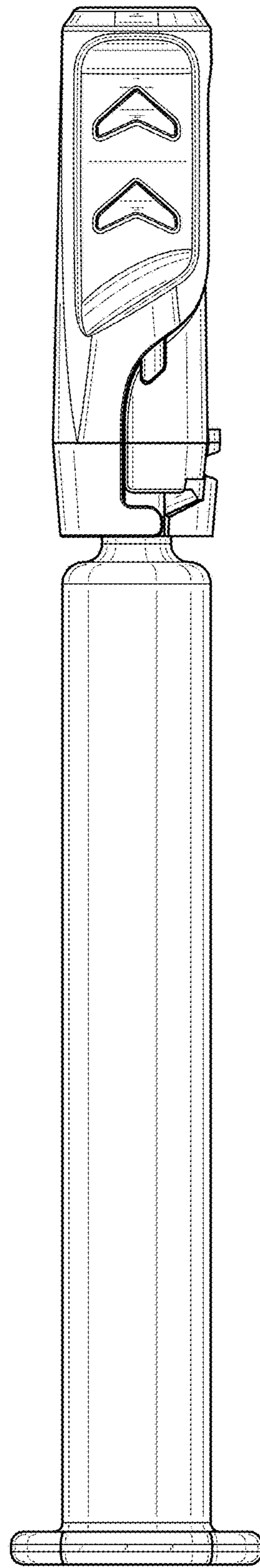


FIG. 6

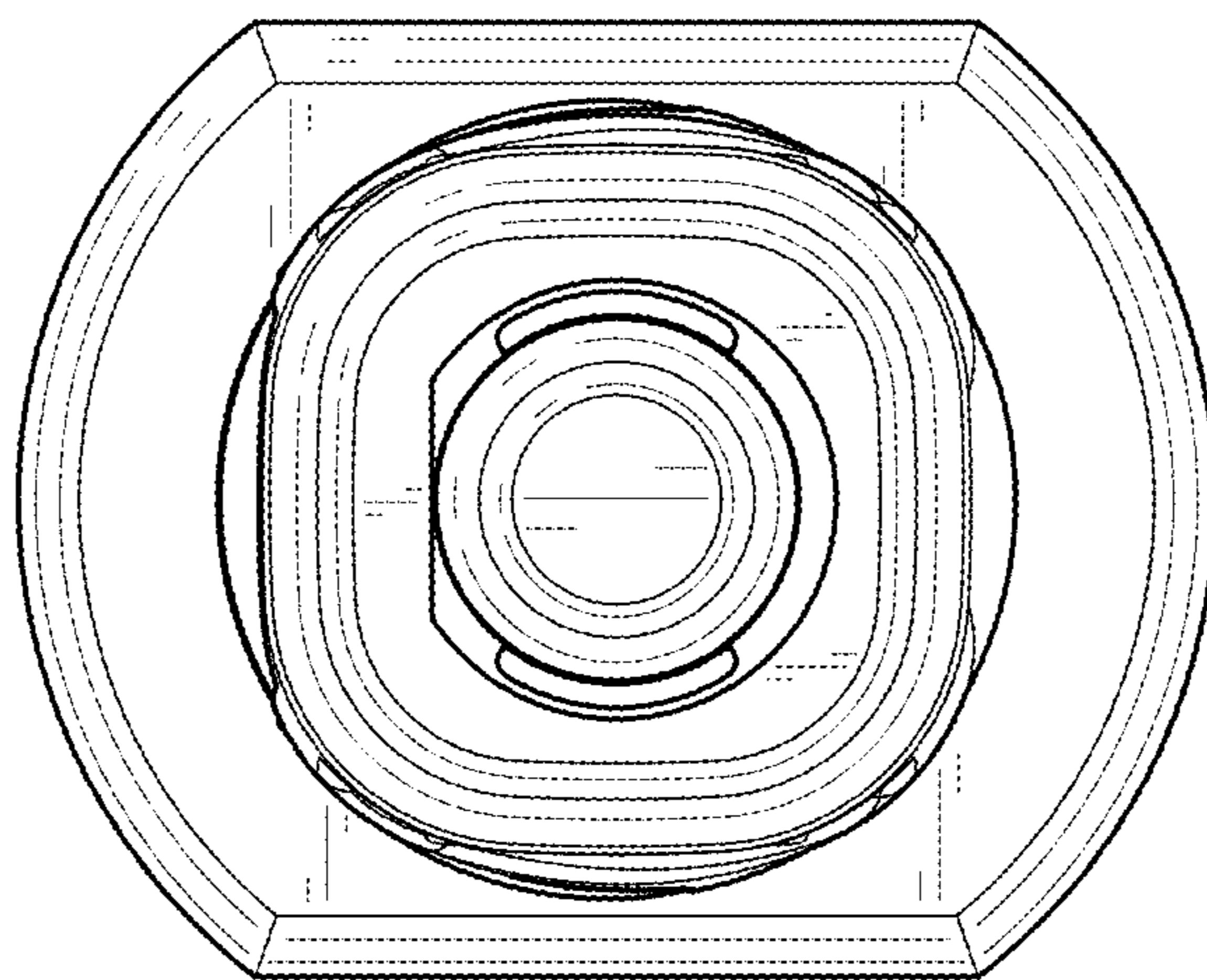


FIG. 7

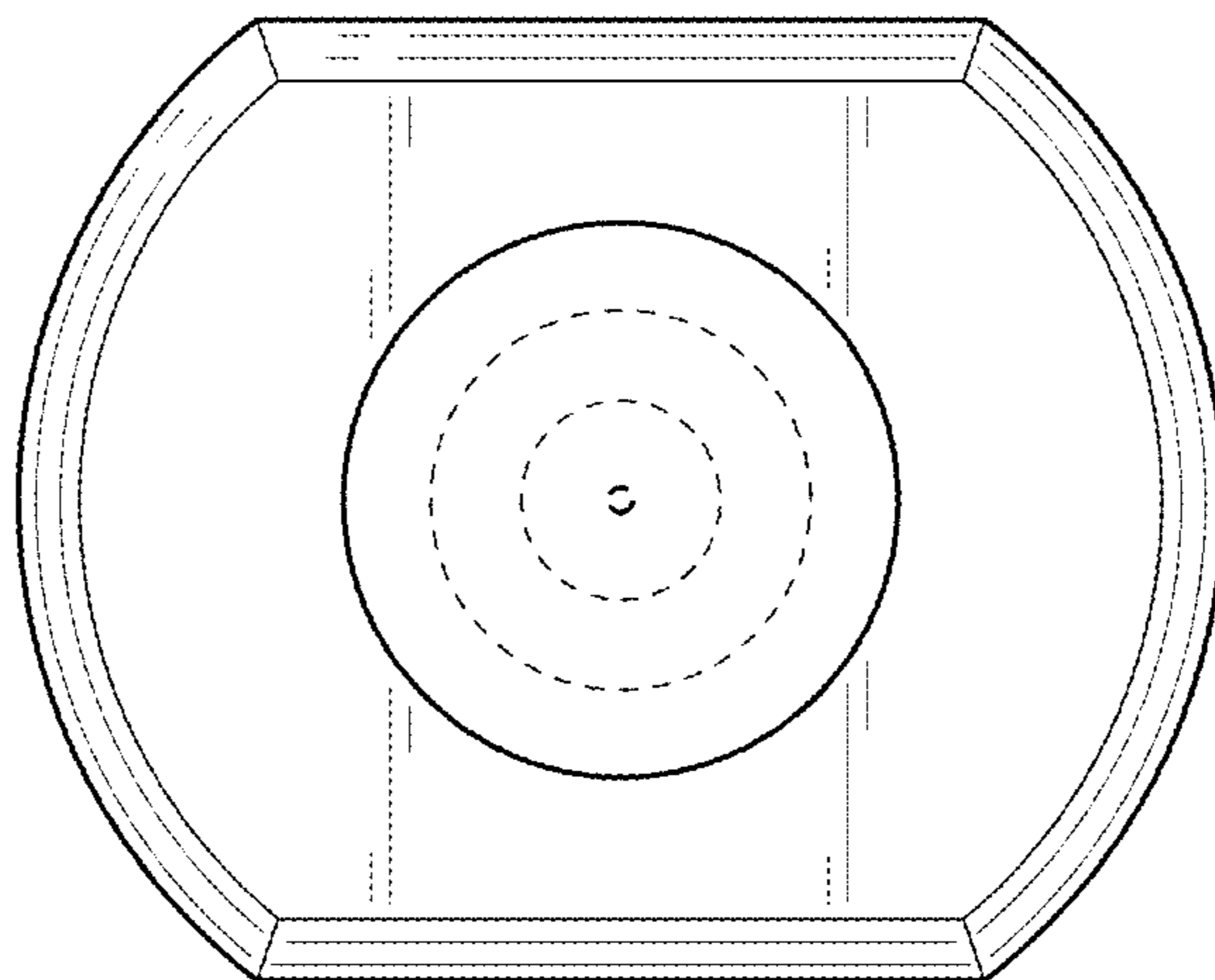


FIG. 8