



US00D813376S

(12) **United States Design Patent** (10) **Patent No.:** **US D813,376 S**  
**Peret et al.** (45) **Date of Patent:** **\*\* Mar. 20, 2018**

(54) **APPARATUS TO CONTROL FLUID FLOW THROUGH A TUBE**

FOREIGN PATENT DOCUMENTS

(71) Applicant: **DEKA Products Limited Partnership**,  
Manchester, NH (US)

AU 2247783 A 6/1985  
CA 1213749 A1 11/1986  
(Continued)

(72) Inventors: **Bob D. Peret**, Bedford, NH (US);  
**Christopher C. Langenfeld**, Nashua,  
NH (US); **Matthew J. Johnson**,  
Dunbarton, NH (US); **Thomas S.**  
**Schnellinger**, North Andover, MA  
(US); **Michael S. Place**, Manchester,  
NH (US); **Michael J. Slate**, Merrimack,  
NH (US); **David E. Collins**, Merrimac,  
MA (US)

OTHER PUBLICATIONS

Notice of Eligibility for Grant from the Intellectual Property Office  
of Singapore for Application 11201507504S, dated Jun. 6, 2016, 12  
pgs.

(Continued)

(73) Assignee: **DEKA Products Limited Partnership**,  
Manchester, NH (US)

*Primary Examiner* — Wan Laymon  
*Assistant Examiner* — Mark Booker

(74) *Attorney, Agent, or Firm* — James D. Wyninegar, Jr.

(\*\*) Term: **15 Years**

(57) **CLAIM**

(21) Appl. No.: **29/556,048**

The ornamental design for an apparatus to control fluid flow  
through a tube, as shown and described.

(22) Filed: **Feb. 26, 2016**

**Related U.S. Application Data**

**DESCRIPTION**

(63) Continuation of application No. 29/471,864, filed on  
Nov. 6, 2013, now Pat. No. Des. 752,209.

(51) **LOC (11) Cl.** ..... **24-02**

(52) **U.S. Cl.**  
USPC ..... **D24/111**

(58) **Field of Classification Search**  
USPC ..... D24/111, 107, 112, 169; D9/526, 529,  
D9/668; 206/363–368; 417/234;  
(Continued)

FIG. 1 is a front, top, and left side perspective view of the  
apparatus to control fluid flow through a tube, showing my  
new design;  
FIG. 2 is a back, right side perspective view thereof;  
FIG. 3 is a first side elevational view thereof;  
FIG. 4 is a back side elevational view thereof;  
FIG. 5 is a left side elevational view thereof;  
FIG. 6 is a right side elevational view thereof;  
FIG. 7 is a top plan view thereof; and,  
FIG. 8 is bottom plan view thereof.

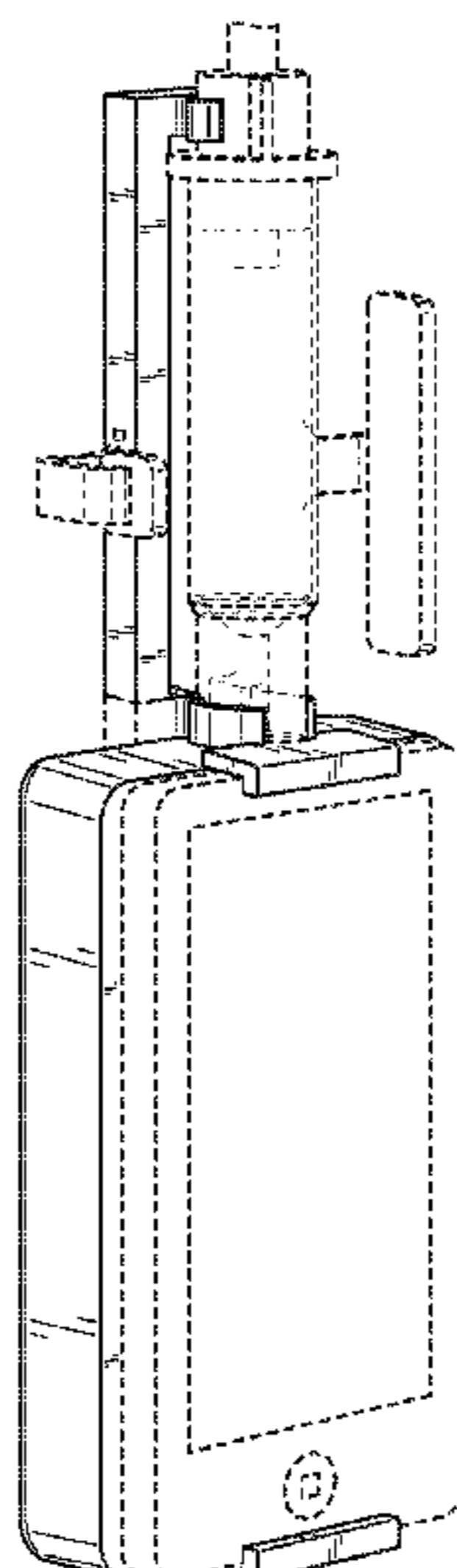
The ornamental design which is claimed is shown in solid  
lines in the drawings. The broken lines shown in the figures  
represent portions of the apparatus to control fluid flow  
through a tube that form no part of the claimed design.

(56) **References Cited**

**U.S. PATENT DOCUMENTS**

2,880,764 A 4/1959 Pelavin  
2,888,877 A 6/1959 Shellman  
(Continued)

**1 Claim, 7 Drawing Sheets**



(58) **Field of Classification Search**  
 USPC ... 604/7-9, 19, 67, 123-125, 143, 151-152,  
 604/154-156, 218, 246, 108, 169, 253,  
 604/250-251, 256  
 CPC ..... A61M 5/14232; A61M 5/16831; A61M  
 5/172; A61M 5/14228; A61M 2205/3365;  
 A61M 2205/3313; A61M 5/145; A61M  
 5/1689; A61M 5/1413; A61M 5/1415;  
 A61M 2205/3569; G01D 5/2451; G01D  
 5/3473; Y10S 128/13  
 See application file for complete search history.

5,186,057	A	2/1993	Everhart
RE34,413	E	10/1993	McCullough
5,267,980	A	12/1993	Dirr, Jr.
5,278,626	A	1/1994	Poole
5,279,558	A	1/1994	Kriesel
5,314,316	A	5/1994	Shibamoto
5,328,341	A	7/1994	Forni
5,331,309	A	7/1994	Sakai
5,411,052	A	5/1995	Murray
5,415,641	A	5/1995	Yerlikaya
5,439,442	A	8/1995	Bellifemine
D362,721	S	9/1995	Peeler et al.
5,482,446	A	1/1996	Williamson
5,526,285	A	6/1996	Campo
5,562,615	A	10/1996	Nassif
5,588,963	A	12/1996	Roelofs
5,601,980	A	2/1997	Gordon
5,707,588	A	1/1998	Tsukishima
5,718,562	A	2/1998	Lawless
5,753,820	A	5/1998	Reed
5,782,805	A	7/1998	Meinzer
5,800,140	A	9/1998	Forni
5,800,386	A	9/1998	Bellifemine
5,843,045	A	12/1998	DuPont
5,896,195	A	4/1999	Juvinall
5,899,665	A	5/1999	Makino
5,920,361	A	7/1999	Gibeau
D416,999	S	11/1999	Miyamoto
6,015,083	A	1/2000	Hayes
6,049,381	A	4/2000	Reintjes
6,050,713	A	4/2000	O'Donnell
6,083,206	A	7/2000	Molko
6,091,483	A	7/2000	Guirguis
6,091,492	A	7/2000	Strickland
6,110,153	A	8/2000	Davis
6,144,453	A	11/2000	Hallerman
6,149,631	A	11/2000	Haydel, Jr.
6,159,186	A	12/2000	Wickham
6,213,354	B1	4/2001	Kay
6,213,739	B1	4/2001	Phallen et al.
6,228,047	B1	5/2001	Dadson
D446,860	S	8/2001	Mezière
6,305,908	B1	10/2001	Hermann
6,328,712	B1	12/2001	Cartledge
6,362,887	B1	3/2002	Meisberger
D461,891	S *	8/2002	Moberg ..... D24/111
6,491,659	B1	12/2002	Miyamoto
6,500,151	B1	12/2002	Cobb
6,503,221	B1	1/2003	Briggs
6,523,414	B1	2/2003	Malmstrom
D471,274	S	3/2003	Diaz et al.
6,554,791	B1	4/2003	Cartledge et al.
6,562,012	B1	5/2003	Brown
6,574,050	B1	6/2003	Lin et al.
6,599,282	B2	7/2003	Burko
6,641,556	B1	11/2003	Shigezawa
6,657,545	B1	12/2003	Lin
6,736,801	B1	5/2004	Gallagher
6,810,290	B2	10/2004	Lebel et al.
6,814,547	B2	11/2004	Childers et al.
6,975,898	B2	12/2005	Seibel
6,984,052	B1	1/2006	Del Castillo
7,001,365	B2	2/2006	Makkink
7,068,831	B2	6/2006	Florent
7,070,121	B2	7/2006	Schramm
7,118,549	B2	10/2006	Chan
7,163,740	B2	1/2007	Rosati
7,190,275	B2	3/2007	Goldberg
D564,087	S	3/2008	Yodfat et al.
7,338,475	B2	3/2008	Brown
7,420,151	B2	9/2008	Fengler et al.
7,448,706	B2	11/2008	Yamanobe
7,467,055	B2	12/2008	Seshimo et al.
D585,543	S *	1/2009	Yodfat ..... D24/111
D586,463	S *	2/2009	Evans ..... D24/111
7,498,563	B2	3/2009	Mandro
7,499,581	B2	3/2009	Tribble
7,540,859	B2	6/2009	Claude
7,677,689	B2	3/2010	Kim

(56) **References Cited**  
 U.S. PATENT DOCUMENTS

3,173,372	A	3/1965	Baldwin
3,384,336	A	5/1968	Prockter
3,609,379	A	9/1971	Hildebrandt
3,685,787	A	8/1972	Adelberg
3,733,149	A	5/1973	Jacobson
3,790,042	A	2/1974	McCormick
3,831,600	A	8/1974	Buckles
4,038,982	A	8/1977	Burke
4,105,028	A	8/1978	Sadlier
4,155,362	A	5/1979	Jess
4,247,077	A	1/1981	Banick et al.
4,303,376	A	12/1981	Siekmann
4,321,461	A	3/1982	Walter
4,328,800	A	5/1982	Marx
4,328,801	A	5/1982	Marx
4,383,252	A	5/1983	Purcell
4,397,642	A	8/1983	Lamadrid
4,421,506	A	12/1983	Danby
4,449,534	A	5/1984	Leibinsohn
4,469,480	A	9/1984	Figler
4,490,140	A	12/1984	Carr
4,496,351	A	1/1985	Hillel et al.
4,504,263	A	3/1985	Steuer
4,525,163	A	6/1985	Slavik
4,577,197	A	3/1986	Crean
4,583,975	A	4/1986	Pekkarinen
RE32,294	E	11/1986	Knute
4,634,426	A	1/1987	Kamen
4,635,281	A	1/1987	Jones
4,648,869	A	3/1987	Bobo, Jr.
4,662,829	A	5/1987	Nehring
4,668,216	A	5/1987	Martin
4,673,161	A	6/1987	Flynn et al.
4,673,820	A	6/1987	Kamen
4,680,977	A	7/1987	Conero
4,703,314	A	10/1987	Spani
4,718,896	A	1/1988	Arndt
4,720,636	A	1/1988	Benner, Jr.
4,722,224	A	2/1988	Scheller et al.
4,775,368	A	10/1988	Iwatschenki
4,778,451	A	10/1988	Kamen
4,812,904	A	3/1989	Maring
4,820,268	A	4/1989	Kawamura
4,820,281	A	4/1989	Lawler
4,834,744	A	5/1989	Ritson
4,837,708	A	6/1989	Wright
4,846,792	A	7/1989	Bobo, Jr.
4,909,786	A	3/1990	Gijsselhart
4,920,336	A	4/1990	Meijer
4,936,828	A	6/1990	Chiang
4,959,050	A	9/1990	Bobo, Jr.
4,979,940	A	12/1990	Bobo, Jr.
4,981,467	A	1/1991	Bobo
5,002,539	A	3/1991	Coble
5,045,069	A	9/1991	Imparato
5,047,014	A	9/1991	Mosebach et al.
5,057,090	A	10/1991	Bessman
5,083,741	A	1/1992	Sancoff
5,154,693	A	10/1992	East et al.
5,154,704	A	10/1992	Archibald
5,181,910	A	1/1993	Scanlon

(56)

References Cited

U.S. PATENT DOCUMENTS

7,695,448 B2	4/2010	Cassidy	D758,399 S	6/2016	Kendler et al.
7,767,991 B2	8/2010	Sacchetti	D760,288 S	6/2016	Kendler et al.
7,776,927 B2	8/2010	Chu	D760,289 S	6/2016	Kendler et al.
7,783,107 B2	8/2010	Zandifar	9,364,394 B2	6/2016	Demers et al.
D629,503 S	12/2010	Caffey et al.	9,372,486 B2	6/2016	Peret et al.
7,892,201 B1	2/2011	Laguna	D760,782 S	7/2016	Kendler et al.
7,892,204 B2	2/2011	Kraus	D760,888 S	7/2016	Gill et al.
7,905,859 B2	3/2011	Bynum	9,400,873 B2	7/2016	Kamen et al.
7,914,483 B2	3/2011	Simmons	9,408,966 B2	8/2016	Kamen
7,918,834 B2	4/2011	Mernoe	D767,756 S	9/2016	Sabin
7,924,424 B2	4/2011	Erickson et al.	9,435,455 B2	9/2016	Peret et al.
7,933,780 B2	4/2011	De La Huerga	D768,716 S	10/2016	Kendler et al.
7,952,698 B2	5/2011	Friedrich	9,465,919 B2	10/2016	Kamen et al.
8,004,683 B2	8/2011	Tokhtuev et al.	9,488,200 B2	11/2016	Kamen et al.
8,025,634 B1	9/2011	Moubayed	774,645 A1	12/2016	Gill et al.
8,038,657 B2	10/2011	Davis	9,518,958 B2	12/2016	Wilt et al.
8,038,663 B2	10/2011	Miner	9,636,455 B2	5/2017	Kamen et al.
8,103,461 B2	1/2012	Glaser et al.	789,516 A1	6/2017	Gill et al.
8,112,814 B2	2/2012	Shimizu	9,675,756 B2	6/2017	Kamen et al.
8,137,083 B2	3/2012	Zhou	9,677,555 B2	6/2017	Kamen et al.
8,147,447 B2	4/2012	Sundar et al.	9,687,417 B2	6/2017	Demers et al.
8,147,448 B2	4/2012	Sundar	792,963 A1	7/2017	Gill
8,147,464 B2	4/2012	Spohn	795,424 A1	8/2017	Sloss
8,184,848 B2	5/2012	Wu	795,805 A1	8/2017	Gray et al.
8,256,984 B2	9/2012	Fathallah	974,430 A1	8/2017	Kamen et al.
8,257,779 B2	9/2012	Abernathy	9,719,964 B2	8/2017	Blumberg
8,282,894 B2	10/2012	Lee	9,724,465 B2	8/2017	Peret et al.
D674,083 S *	1/2013	Boaz ..... D24/111	9,724,466 B2	8/2017	Peret et al.
D676,551 S	2/2013	Desai et al.	9,724,467 B2	8/2017	Peret et al.
D677,784 S *	3/2013	Marguerie ..... D24/111	9,730,731 B2	8/2017	Langenfeld et al.
8,394,062 B2	3/2013	Powers	9,744,300 B2	8/2017	Kamen et al.
8,439,880 B2	5/2013	Rondeau	9,746,093 B2	8/2017	Peret et al.
8,447,069 B2	5/2013	Huang et al.	9,746,094 B2	8/2017	Peret et al.
8,471,231 B2	6/2013	Paz	9,759,343 B2	9/2017	Peret et al.
8,523,797 B2	9/2013	Lowery et al.	9,759,369 B2	9/2017	Gray et al.
8,523,829 B2	9/2013	Miner et al.	9,772,044 B2	9/2017	Peret et al.
8,523,839 B2	9/2013	Siefert	799,025 A1	10/2017	Johnson et al.
8,529,511 B2	9/2013	Boulanger	2001/0026292 A1	10/2001	Ishizaki
8,531,517 B2	9/2013	Tao	2001/0055462 A1	12/2001	Seibel
8,552,361 B2	10/2013	Mandro	2002/0194933 A1	12/2002	Roelofs
8,622,979 B2	1/2014	Hungerford	2003/0045840 A1	3/2003	Burko
8,638,358 B2	1/2014	Dabiri et al.	2003/0055406 A1	3/2003	Lebel
8,647,074 B2	2/2014	Moberg et al.	2003/0107819 A1	6/2003	Lin et al.
8,692,678 B2	4/2014	Warner et al.	2003/0217962 A1	11/2003	Childers
D709,183 S *	7/2014	Kemlein ..... D24/111	2004/0044306 A1	3/2004	Lynch et al.
8,777,897 B2	7/2014	Butterfield	2004/0044309 A1	3/2004	Lynch et al.
D712,043 S	8/2014	Sliger	2004/0171994 A1	9/2004	Goldberg
D714,452 S *	9/2014	Koski ..... D24/169	2005/0096581 A1	5/2005	Chan
8,834,429 B2	9/2014	Grant	2005/0171491 A1	8/2005	Minh Miner et al.
D720,449 S	12/2014	Galbraith et al.	2006/0096660 A1	5/2006	Diaz
D728,779 S	5/2015	Sabin et al.	2006/0140466 A1	6/2006	Seshimo
D735,319 S	7/2015	Sabin et al.	2006/0146077 A1	7/2006	Song
D736,370 S	8/2015	Sabin et al.	2006/0291211 A1	12/2006	Rodriguez
9,095,652 B2	8/2015	Dewey	2007/0088269 A1	4/2007	Valego et al.
9,128,051 B2	9/2015	Bui	2007/0102623 A1	5/2007	Fengler
9,134,735 B2	9/2015	Lowery et al.	2007/0228071 A1	10/2007	Kamen et al.
9,134,736 B2	9/2015	Lowery et al.	2007/0293817 A1	12/2007	Feng
9,144,644 B2	9/2015	Hungerford	2008/0004574 A1	1/2008	Dyar
9,151,646 B2	10/2015	Kamen et al.	2008/0051732 A1	2/2008	Chen
D745,661 S	12/2015	Collins et al.	2008/0147008 A1	6/2008	Lewis
D745,662 S *	12/2015	Chen ..... D24/112	2008/0147016 A1	6/2008	Faries
D746,441 S *	12/2015	Harr ..... D24/111	2008/0154214 A1	6/2008	Spohn
9,216,279 B2	12/2015	Travis et al.	2008/0235765 A1	9/2008	Shimizu
D746,975 S *	1/2016	Schenck ..... D24/111	2008/0237502 A1	10/2008	Fago
D746,976 S *	1/2016	Chen ..... D24/112	2008/0252472 A1	10/2008	Su et al.
9,234,850 B2	1/2016	Hammond et al.	2009/0097029 A1	4/2009	Tokhtuev
D749,206 S *	2/2016	Johnson ..... D24/111	2009/0112115 A1	4/2009	Huang
D751,689 S	3/2016	Peret et al.	2009/0180106 A1	7/2009	Friedrich
D751,690 S	3/2016	Peret et al.	2009/0224638 A1	9/2009	Weber
D752,209 S *	3/2016	Peret ..... D24/111	2009/0254025 A1	10/2009	Simmons
D752,758 S *	3/2016	Chung ..... D24/169	2009/0262351 A1	10/2009	Erickson
9,295,778 B2	3/2016	Kamen et al.	2009/0276167 A1	11/2009	Glaser
D754,065 S	4/2016	Gray et al.	2009/0281460 A1	11/2009	Lowery
D756,386 S	5/2016	Kendler et al.	2010/0021933 A1	1/2010	Okano
D756,505 S	5/2016	Park	2010/0097451 A1	4/2010	Bruce
			2010/0114027 A1	5/2010	Jacobson
			2010/0120601 A1	5/2010	Hayamizu
			2010/0168671 A1	7/2010	Faries, Jr.
			2010/0204650 A1	8/2010	Hungerford et al.

(56)

## References Cited

## U.S. PATENT DOCUMENTS

2010/0211003 A1 8/2010 Sundar  
 2010/0217229 A1 8/2010 Miner  
 2010/0229978 A1 9/2010 Zhou  
 2010/0292635 A1 11/2010 Sundar  
 2010/0309005 A1 12/2010 Warner  
 2011/0004186 A1 1/2011 Butterfield  
 2011/0025826 A1 2/2011 Dabiri  
 2011/0046899 A1 2/2011 Paz  
 2011/0060284 A1 3/2011 Harr  
 2011/0125103 A1 5/2011 Rondeau  
 2011/0142283 A1 6/2011 Huang  
 2011/0144595 A1 6/2011 Cheng  
 2011/0166511 A1 7/2011 Sharvit  
 2011/0178476 A1 7/2011 Lin  
 2011/0190146 A1 8/2011 Boehm  
 2011/0190637 A1 8/2011 Knobel  
 2011/0196304 A1 8/2011 Kramer et al.  
 2011/0196306 A1 8/2011 De La Huerga  
 2011/0206247 A1 8/2011 Dachille  
 2011/0208123 A1 8/2011 Gray  
 2011/0231204 A1 9/2011 De La Huerga  
 2011/0251557 A1 10/2011 Powers  
 2011/0275063 A1 11/2011 Weitz  
 2011/0313351 A1 12/2011 Kamen et al.  
 2011/0313789 A1 12/2011 Kamen  
 2011/0316919 A1 12/2011 Baldy, Jr.  
 2011/0317004 A1 12/2011 Tao  
 2012/0013735 A1 1/2012 Tao  
 2012/0059318 A1 3/2012 Dewey  
 2012/0059350 A1 3/2012 Siefert  
 2012/0095415 A1 4/2012 Sharvit  
 2012/0095433 A1 4/2012 Hungerford  
 2012/0185267 A1 7/2012 Kamen  
 2012/0197185 A1 8/2012 Tao  
 2012/0238997 A1 9/2012 Dewey  
 2012/0265166 A1 10/2012 Yodfat  
 2012/0310153 A1 12/2012 Moberg  
 2012/0310205 A1 12/2012 Lee et al.  
 2013/0035659 A1 2/2013 Hungerford  
 2013/0083191 A1 4/2013 Lowery et al.  
 2013/0085443 A1 4/2013 Lowery  
 2013/0177455 A1 7/2013 Kamen  
 2013/0182381 A1 7/2013 Gray  
 2013/0184676 A1 7/2013 Kamen  
 2013/0188040 A1 7/2013 Kamen  
 2013/0191513 A1 7/2013 Kamen  
 2013/0197693 A1 8/2013 Kamen  
 2013/0201471 A1 8/2013 Bui et al.  
 2013/0201482 A1 8/2013 Munro  
 2013/0204188 A1 8/2013 Kamen  
 2013/0253442 A1 9/2013 Travis  
 2013/0272773 A1 10/2013 Kamen  
 2013/0281965 A1 10/2013 Kamen  
 2013/0297330 A1 11/2013 Kamen  
 2013/0310990 A1 11/2013 Peret et al.  
 2013/0317753 A1 11/2013 Kamen  
 2013/0317837 A1 11/2013 Ballantyne  
 2013/0336814 A1 12/2013 Kamen  
 2013/0339049 A1 12/2013 Blumberg, Jr.  
 2013/0346108 A1 12/2013 Kamen  
 2014/0043469 A1 2/2014 Engel  
 2014/0081233 A1 3/2014 Hungerford  
 2014/0121601 A1 5/2014 Hoenninger, III  
 2014/0135695 A1 5/2014 Grant  
 2014/0148757 A1 5/2014 Ambrosina  
 2014/0165703 A1 6/2014 Wilt  
 2014/0180711 A1 6/2014 Kamen  
 2014/0188076 A1 7/2014 Kamen  
 2014/0188516 A1 7/2014 Kamen  
 2014/0194818 A1 7/2014 Yodfat  
 2014/0195639 A1 7/2014 Kamen  
 2014/0227021 A1 8/2014 Kamen  
 2014/0267709 A1 9/2014 Hammond  
 2014/0276457 A1 9/2014 Munro  
 2014/0309612 A1 10/2014 Smisson, III

2014/0318639 A1 10/2014 Peret  
 2014/0327759 A1 11/2014 Tao  
 2014/0340512 A1 11/2014 Tao  
 2014/0343492 A1 11/2014 Kamen  
 2015/0002667 A1 1/2015 Peret et al.  
 2015/0002668 A1 1/2015 Peret et al.  
 2015/0002677 A1 1/2015 Peret  
 2015/0023808 A1 1/2015 Zhu  
 2015/0033823 A1 2/2015 Blumberg, Jr.  
 2015/0154364 A1 6/2015 Biasi et al.  
 2015/0157791 A1 6/2015 Desch et al.  
 2015/0219881 A1 8/2015 Munro  
 2015/0238228 A1 8/2015 Langenfeld et al.  
 2015/0257974 A1 9/2015 Demers et al.  
 2015/0314083 A1 11/2015 Blumberg, Jr. et al.  
 2015/0332009 A1 11/2015 Kane et al.  
 2015/0361974 A1 12/2015 Hungerford et al.  
 2016/0025641 A1 1/2016 Hammond et al.  
 2016/0055397 A1 2/2016 Peret et al.  
 2016/0055649 A1 2/2016 Peret et al.  
 2016/0061641 A1 3/2016 Peret et al.  
 2016/0063353 A1 3/2016 Peret et al.  
 2016/0073063 A1 3/2016 Peret et al.  
 2016/0084434 A1 3/2016 Janway et al.  
 2016/0097382 A1 4/2016 Kamen et al.  
 2016/0131272 A1 5/2016 Yoo et al.  
 2016/0158437 A1 6/2016 Biasi et al.  
 2016/0179086 A1 6/2016 Peret et al.  
 2016/0184510 A1 6/2016 Kamen et al.  
 2016/0203292 A1 7/2016 Kamen et al.  
 2016/0262977 A1 9/2016 Demers et al.  
 2016/0287780 A1 10/2016 Lee et al.  
 2016/0319850 A1 11/2016 Kamen et al.  
 2016/0346056 A1 12/2016 Demers et al.  
 2016/0362234 A1 12/2016 Peret et al.  
 2017/0011202 A1 1/2017 Kamen et al.  
 2017/0045478 A1 2/2017 Wilt et al.  
 2017/0216516 A1 8/2017 Dale et al.  
 2017/0224909 A1 8/2017 Kamen et al.  
 2017/0259230 A1 9/2017 Demers et al.  
 2017/0266378 A1 9/2017 Kamen et al.  
 2017/0268497 A1 9/2017 Kamen et al.  
 2017/0284968 A1 10/2017 Blumberg, Jr.

## FOREIGN PATENT DOCUMENTS

CN 1986008 A 6/2007  
 CN 2922921 Y 7/2007  
 DE 2023027 A1 11/1970  
 DE 2631951 A1 1/1978  
 DE 3617723 A1 12/1987  
 DE 3643276 A1 6/1988  
 DE 3822057 C2 1/1989  
 DE 69229832 T2 2/2000  
 EP 0112699 A2 7/1984  
 EP 0441323 A1 8/1991  
 EP 819495 A2 1/1998  
 EP 1722310 A1 11/2006  
 EP 2319551 A2 5/2011  
 EP 2793977 B1 11/2015  
 FR 2042606 A1 2/1971  
 FR 2273264 A1 12/1975  
 FR 2458804 1/1981  
 FR 2617593 1/1989  
 GB 1301033 A 12/1972  
 GB 2020735 A 11/1979  
 GB 2207239 B 1/1989  
 GB 2328982 A 3/1999  
 JP 58163843 9/1983  
 JP 04-280582 A 10/1992  
 JP 3110458 B2 11/2000  
 JP 2007229928 A 9/2007  
 JP 2009298012 A 12/2009  
 JP 2011062371 A 3/2011  
 KR 1020050039780 A 4/2005  
 KR 1020060111424 A 10/2006  
 KR 1020100037914 A 4/2010  
 NL 7006908 11/1970  
 NL 8801680 A 2/1989

(56)

## References Cited

## FOREIGN PATENT DOCUMENTS

NL	9101825	A	5/1993
SE	376843	B	6/1975
WO	WO8102770	A1	10/1981
WO	WO9309407	A1	5/1993
WO	WO0072181	A3	11/2000
WO	WO0240084	A2	5/2002
WO	WO02010262	A1	12/2002
WO	WO2004035116	A1	4/2004
WO	WO2005094919	A1	10/2005
WO	WO2006086723	A2	8/2006
WO	WO2008022880	A1	2/2008
WO	WO2008079023	A1	7/2008
WO	WO2009039203	A2	3/2009
WO	WO2009039214	A2	3/2009
WO	WO2009055639	A2	4/2009
WO	WO2010020397	A1	4/2010
WO	WO2010129720	A2	11/2010
WO	WO2011021098	A1	2/2011
WO	WO2011136667	A1	11/2011
WO	WO2012104779	A1	8/2012
WO	WO2013017949	A2	2/2013
WO	WO2013070337	A1	5/2013
WO	WO2013095459	A9	6/2013
WO	WO2013096713	A2	6/2013
WO	WO2013096718	A2	6/2013
WO	WO2013096722	A2	6/2013
WO	WO2013096909	A2	6/2013
WO	WO2013176770	A2	11/2013
WO	WO2013177357	A1	11/2013
WO	WO2014100557	A2	6/2014
WO	WO2014100571	A2	6/2014
WO	WO2014100658	A1	6/2014
WO	WO2014100687	A2	6/2014
WO	WO2014100736	A2	6/2014
WO	WO2014100744	A2	6/2014
WO	WO2014144557	A2	9/2014
WO	WO2014025736	A1	10/2014
WO	WO2014160058	A2	10/2014
WO	WO2014160249	A1	10/2014
WO	WO2014160307	A1	10/2014
WO	WO2015017275	A1	2/2015
WO	WO2015116557	A1	8/2015

## OTHER PUBLICATIONS

Second Office Action and Search Report dated Jun. 27, 2016, received in Republic of China patent application No. 201280069373.3, 6 pgs.

First Office Action dated Oct. 20, 2015, received in Republic of China patent application No. 201280069373.3, 4 pgs.

First Office Action dated Jul. 28, 2016, received in Australian patent application No. 2012358397, 3 pgs.

European Community Design Registration 002381669/0001-0005, Filed Jan. 8, 2014 and published on May 12, 2016, 42 pgs.

Notification from the Eurasian Patent Organization for Application 201491218, dated Apr. 27, 2015, 2 pgs.

Second Report of substantive examination from Superintendent of Industry and Commerce of Colombia for Patent Application 14.155.193, dated Sep. 8, 2016, 18 pgs.

First Examination Report from IP Australia for Patent Application 2012358397, dated Jul. 28, 2016, 3 pgs.

Notice of Acceptance from IP Australia for Patent Application 2012358397, dated Jan. 5, 2017, 3 pgs.

English Search Report from the People's Republic of China for Patent Application 201280069373.3, dated Jul. 12, 2016, 2 pgs.

Notice of Allowance from Korean Intellectual Property Office for Patent Application 10-2014-7019883, dated Jun. 28, 2016, 3 pgs.

First Examination Report from Mexican Patent Office for Patent Application MX/a/2014/007751, dated Sep. 8, 2016, 5 pgs.

Further Examination Report from the New Zealand Intellectual Property Office for Patent Application 626382, dated Jan. 12, 2016, 2 pgs.

Notice of Acceptance from the New Zealand Intellectual Property Office for Patent Application 626382, dated Feb. 9, 2016, 1 pg.

Rule 161 Communication from the European Patent Office for Patent Application 14720397.0-1662, dated Oct. 28, 2015, 2 pgs.

Decision to Grant from the European Patent Office for Patent Application 15192051.9-1664/3006010, dated Jan. 19, 2017, 3 pgs.

Further Examination Report from the New Zealand Intellectual Property Office for Patent Application 715098, dated Jun. 13, 2016, 2 pgs.

Notice of Acceptance from the New Zealand Intellectual Property Office for Patent Application 715098, dated Sep. 9, 2016, 3 pgs.

Notice of Acceptance from the New Zealand Intellectual Property Office for Patent Application 723930, dated Nov. 16, 2016, 3 pgs.

Examination Report from the European Patent Office for EPO Application No. 16 167 576.4-1662, dated Oct. 11, 2016, 6 pgs.

Search Report from the European Patent Office for EPO Application No. 16 167 576.4-1662, dated Sep. 19, 2016, 4 pgs.

Notice of Acceptance from IP Australia for Patent Application 2016225879, dated Oct. 26, 2016, 3 pgs.

First Examination Report from the New Zealand Intellectual Property Office for Patent Application 725469, dated Nov. 8, 2016, 2 pgs.

Second Office Action and Search Report dated Jun. 27, 2016, received in Republic of China patent application No. 201280069373.3, 6 pgs., English Translation.

First Office Action dated Oct. 20, 2015, received in Republic of China patent application No. 201280069373.3, 4 pgs., English Translation.

Notification from the Eurasian Patent Organization for Application 201491218, dated Apr. 27, 2015, 2 pgs., English Translation.

Second Report of substantive examination from Superintendent of Industry and Commerce of Colombia for Patent Application 14.155.193, dated Sep. 8, 2016, 18 pgs., English Translation.

Notice of Allowance from Korean Intellectual Property Office for Patent Application 10-2014-7019883, dated Jun. 28, 2016, 3 pgs., English Translation.

First Examination Report from Mexican Patent Office for Patent Application MX/a/2014/007751, dated Sep. 8, 2016, 5 pgs, English Translation.

"The OpenCV Reference Manual Release 2.3", May 10, 2011, pp. 1-263.

Invitation to Respond to Written Opinion from the Intellectual Property Office of Singapore for Application 11201507504S, dated Nov. 23, 2015.

First Examination Report from the Intellectual Property Office of New Zealand for Application 626382, dated Apr. 1, 2015.

Report of substantive examination from Superintendent of Industry and Commerce of Colombia for Patent Application 14155193, dated Nov. 19, 2015.

Notice of Preliminary Rejection (Non-Final) from the Korean Intellectual Property Office ("KIPO") for Korean Patent Application No. 10-2014-7019883, dated Dec. 15, 2015.

First Examination report from the New Zealand Intellectual Property Office for New Zealand IP No. 715098, dated Jan. 12, 2016.

"Microcomputer Intravenous Infusion Drip Controller", Longfian Scitech Co., Ltd., Mar. 18, 2016 (retrieved). Advertisement listed as having a valid price starting at Mar. 10, 2016, 2 pgs, <http://marina.en.made-in-china.com/productimage/bKvQTtJcJEhs-2f1j00FZetfTSDnhcU/China-Microcomputer-Intravenous-Infusion-Drip-Controller.html>.

"DripAssist Specificaiton", Shift Labs , Mar. 18, 2016 (retrieved). 2 pgs, <http://www.shiftlabs.com/products/dripassist/specifications>.

"DripAssist Product Overview", Shift Labs , Mar. 18, 2016 (retrieved). 2 pgs, <http://www.shiftlabs.com/products/dripassist/overview>.

"DripAssist Product Brochure", Shift Labs , Mar. 18, 2016 (retrieved). 1 pg., <http://www.shiftlabs.com/sites/default/files/DripAssistOnesheet.pdf>.

"IV Drip monitor", Allison Lipper, Mar. 18, 2016 (retrieved). 3 pgs., <http://cnx.org/contents/WmaFki2-@3/IV-Drip-Monitor>.

"AutoClamp", Ace Medical, Mar. 18, 2016 (retrieved). 2 pgs., [http://ace-medical.com/2014/en/product/product/view.asp?po\\_no=31](http://ace-medical.com/2014/en/product/product/view.asp?po_no=31).

(56)

**References Cited**

## OTHER PUBLICATIONS

Extended European Search Report dated Mar. 3, 2016, received in European patent application No. 15192051.9, 7 pgs.

AAMI and FDA, Infusing Patients Safely: Priority Issues from the AAMI/FDA Infusion Device Summit, Symposium, Oct. 5-6, 2010, pp. 1-48, AAMI, Arlington, VA, USA.

Conway, "Analytical Analysis of Tip Travel in a Bourdon Tube", Master's Thesis, Naval Postgraduate School Monterey, Dec. 1995, pp. i-89.

Darzynkiewicz, 'Cytometry', Methods in Cell Biology, 2011, Third Edition Part A, vol. 63, pp. 44-48, Academic Press, San Diego, 2001. And please see whole document generally.

"Feature Detection", OpenCV Wiki, Oct. 31, 2011 (retrieved), 7 pgs, [http://opencv.willowgarage.com/documentation/cpp/imgproc\\_feature\\_detection.html](http://opencv.willowgarage.com/documentation/cpp/imgproc_feature_detection.html).

Galambos et al., "Progressive Probabilistic Hough Transform for Line Detection", IEEE, 10 pgs, 1999.

International Search Report & Written Opinion dated May 14, 2012, received in International patent application No. PCT/US2011/066588, 9 pgs.

International Search Report & Written Opinion dated Jun. 18, 2013, received in International patent application No. PCT/US2012/071142, 14 pgs.

International Search Report & Written Opinion dated Oct. 1, 2013, received in International patent application No. PCT/US2012/071490, 19 pgs.

International Search Report & Written Opinion dated Dec. 4, 2013, received in International patent application No. PCT/US2013/032445, 20 pgs.

International Search Report & Written Opinion dated Nov. 7, 2013, received in International patent application No. PCT/US2013/042350, 18 pgs.

Invitation to Pay Additional Fees and, Where Applicable, Protest Fee dated Sep. 9, 2013, received in International patent application No. PCT/US2013/032445, 10 pgs.

Invitation to Pay Additional Fees and, Where Applicable, Protest Fee dated Sep. 26, 2013, received in International patent application No. PCT/US2013/042350, 7 pgs.

International Preliminary Report on Patentability dated Jul. 3, 2014, received in International patent application No. PCT/US2012/071142, 9 pgs.

International Search Report dated Feb. 5, 2015, received in International patent application No. PCT/US2014/029020, 7 pgs.

International Preliminary Report on Patentability and Written Opinion, dated Sep. 15, 2015, received in International patent application No. PCT/US2014/029020, 11 pgs.

Hofmann, "Modeling Medical Devices for Plug-and-Play Interoperability", MIT Department of Electrical Engineering and Computer Science, Jun. 2007, pp. 1-187.

King et al. Prototyping closed loop physiologic control with the medical device coordination framework. In SEHC 2010: Proceedings of the 2010 ICSE Workshop on Software Engineering in Health Care (pp. 1-11). New York, NY: ACM. (2010).

Jetley et al., "Safety Requirements Based Analysis of Infusion Pump Software", Proceedings of the IEEE Real Time Systems Symposium, Tuscon, Dec. 2007 pp. 1-4.

FDA US Food and Drug Administration, "SEDASYS® Computer-Assisted Personalized Sedation System P08000", Jul. 16, 2013, pp. 1-2, [www.fda.gov/MedicalDevices/ProductsandMedicalProcedures/DeviceApprovalsandClearances/Recently-ApprovedDevices/ucm353950.htm](http://www.fda.gov/MedicalDevices/ProductsandMedicalProcedures/DeviceApprovalsandClearances/Recently-ApprovedDevices/ucm353950.htm).

Luerkens, David W. "Theory and Application of Morphological Analysis: Fine Particles and Surfaces". Boca Raton: CRC, 1991. 5-7.

Matas et al., 'Progressive Probabilistic Hough Transform', University of Surrey, Czech Technical University, 1998, pp. 1-10.

"Miscellaneous Image Transformations", OpenCV Wiki, 2011, 9 pgs., [http://opencv.willowgarage.com/documentation/cpp/miscellaneous\\_image\\_transformations](http://opencv.willowgarage.com/documentation/cpp/miscellaneous_image_transformations).

National Patient Safety Agency, Design for Patient Safety: A Guide to the Design of Electronic Infusion Devices, booklet, 2010, pp. 1-96, Edition 1, National Patient Safety Agency, London.

"Object Detection", OpenCV Wiki, 2011, 2 pgs., [http://opencv.willowgarage.com/documentation/cpp/object\\_detection.html](http://opencv.willowgarage.com/documentation/cpp/object_detection.html).

"The OpenCV Reference Manual Release 2.4.6.0", Jul. 1, 2013, pp. 1-813.

Leor at al., "A System for the Measurement of Drop Volume of Intravenous Solutions", Proceedings Computers in Cardiology 1990, pp. 405-406, Los Alamitos, California.

Butterfield, "Alaris SE Pump, Monitoring and Detection of IV Line Occlusions.", CareFusion Corporation, 2010, 4 pgs.

"Vista Basic: Instructions for Use: Software IFVB", manual, 2002, pp. 3, B. Braun Medical Inc.

Hugli et al., "Drop volume measurement by vision." Proceedings of SPIE Electronic Imaging Conference, San Diego, Jan. 2000. SPIE vol. 3866-11, pp. 60-66.

Report of substantive examination from Superintendent of Industry and Commerce of Colombia for Patent Application 14155193, dated Nov. 19, 2015, English Machine Translation.

Notice of Preliminary Rejection (Non-Final) from the Korean Intellectual Property Office ("KIPO") for Korean Patent Application No. 10-2014-7019883, dated Dec. 15, 2015, English Translation.

Notification of Non-Compliance With Substantive Requirements and Invitation to Submit Observations AND/OR Amended Application from The African Regional Intellectual Property Organization (ARIPO) for Application AP/P/2014/007721, dated Apr. 25, 2017.

Results of Substantive Examination from IMPI for Application MX/a/2014/007751, dated Mar. 31, 2017.

First Office Action for Chinese Patent Application 201610248658.3, dated Feb. 3, 2017.

International Search Report & Written Opinion dated Jul. 6, 2017, received in International patent application No. PCT/US2017/015382, 21 pgs.

U.S. Appl. No. 61/679,117, filed Aug. 3, 2012, Dean Kamen et al.

U.S. Appl. No. 14/939,586, filed Nov. 6, 2013, Bob D. Peret et al.

U.S. Appl. No. 29/548,225, filed Dec. 11, 2015, David E. Collins et al.

U.S. Appl. No. 29/552,942, filed Jan. 27, 2016, Bob D. Peret et al.

U.S. Appl. No. 29/552,943, filed Jan. 27, 2016, Bob D. Peret et al.

U.S. Appl. No. 29/553,094, filed Jan. 28, 2016, James L. Sloss et al.

U.S. Appl. No. 62/288,132, filed Jan. 28, 2016, Brian H. Yoo et al.

U.S. Appl. No. 29/565,908, filed May 25, 2016, David E. Collins.

U.S. Appl. No. 62/341,396, filed May 25, 2016, David E. Collins et al.

U.S. Appl. No. 29/575,316, filed Aug. 24, 2016, James L. Sloss et al.

U.S. Appl. No. 29/575,331, filed Aug. 24, 2016, David E. Collins.

PCT/US2017/15382, filed Jan. 27, 2017, James D. Dale et al.

U.S. Appl. No. 15/672,994, filed Aug. 9, 2017, Bob D. Peret et al.

Results of Substantive Examination from IMPI for Application MX/a/2014/007751, dated March 31, 2017.

\* cited by examiner

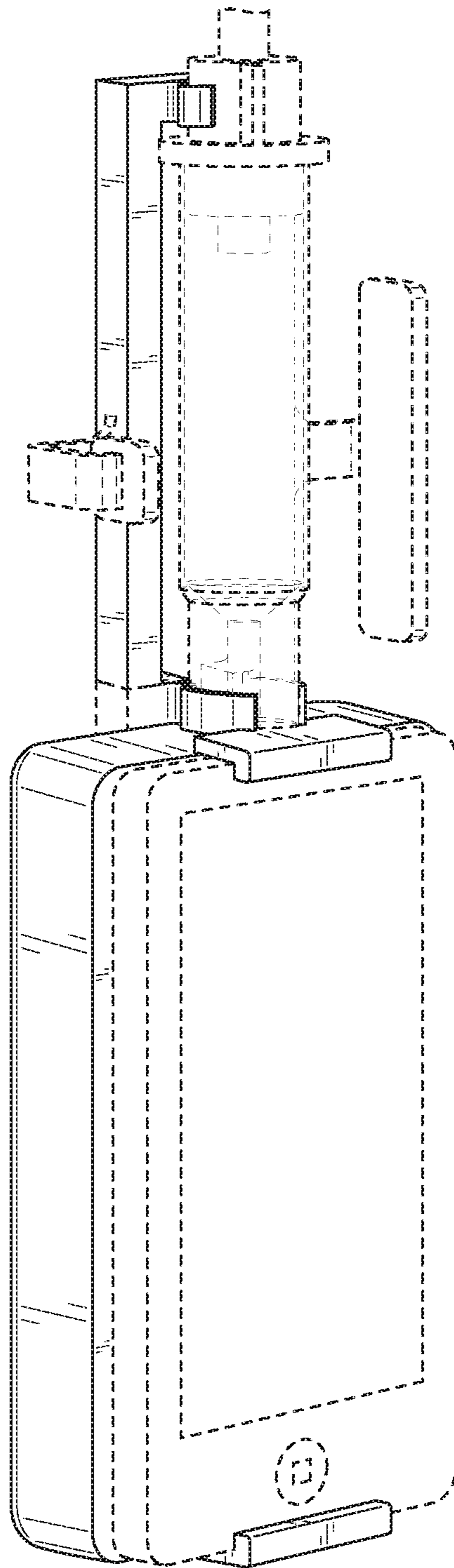


FIG. 1

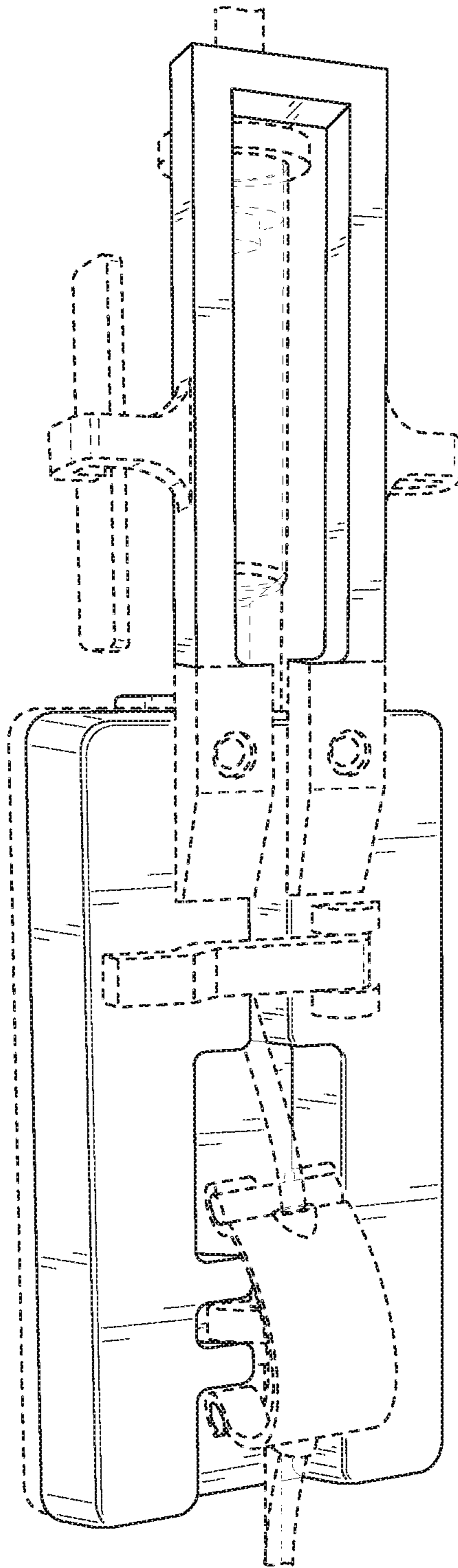


FIG. 2



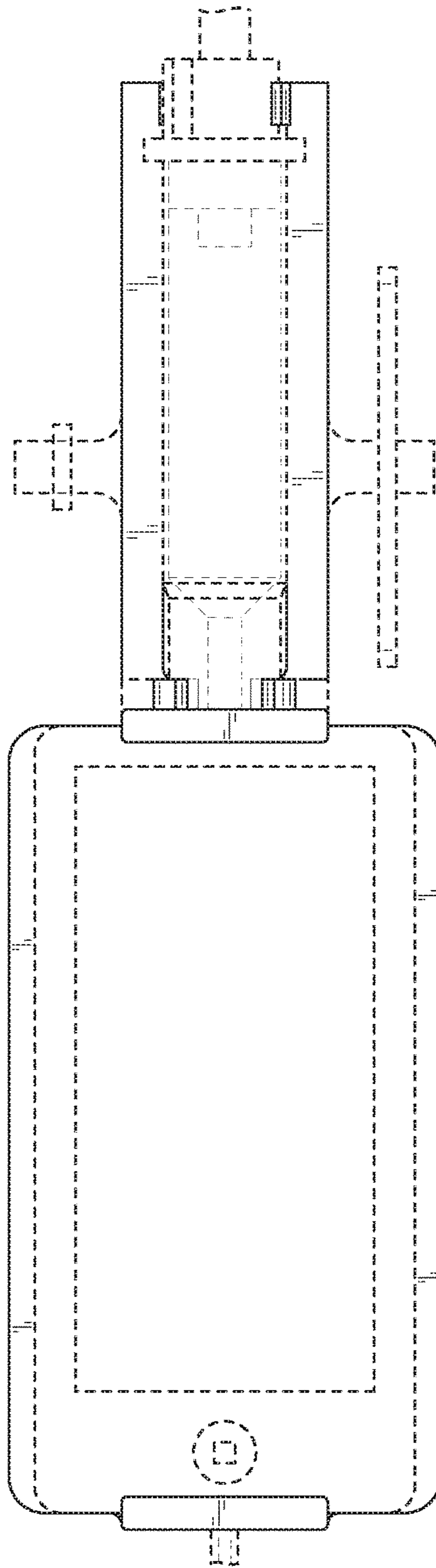


FIG. 3

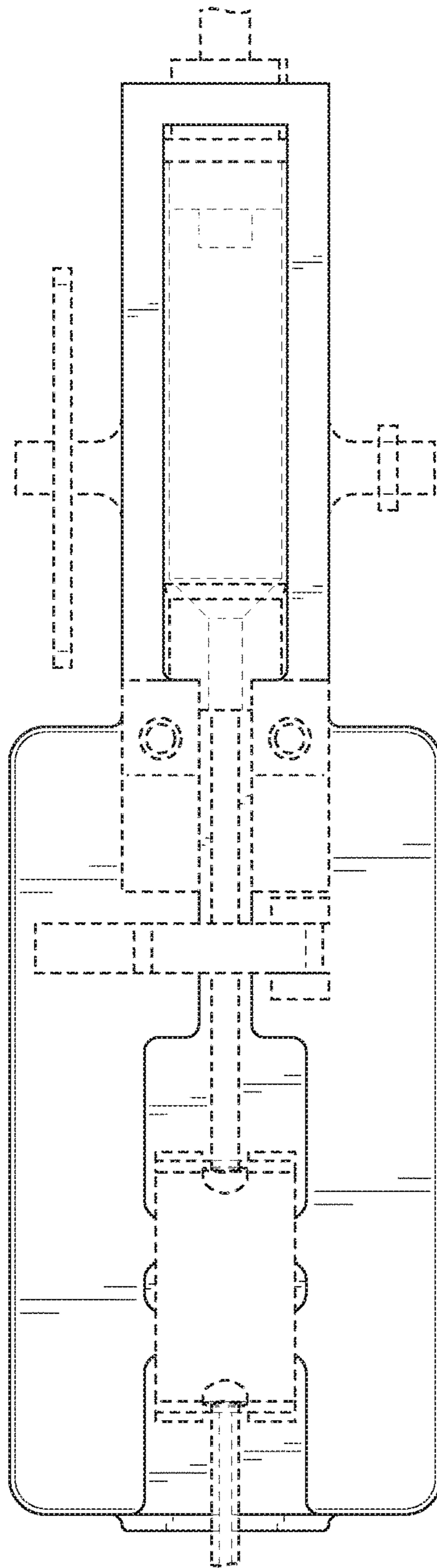


FIG. 4

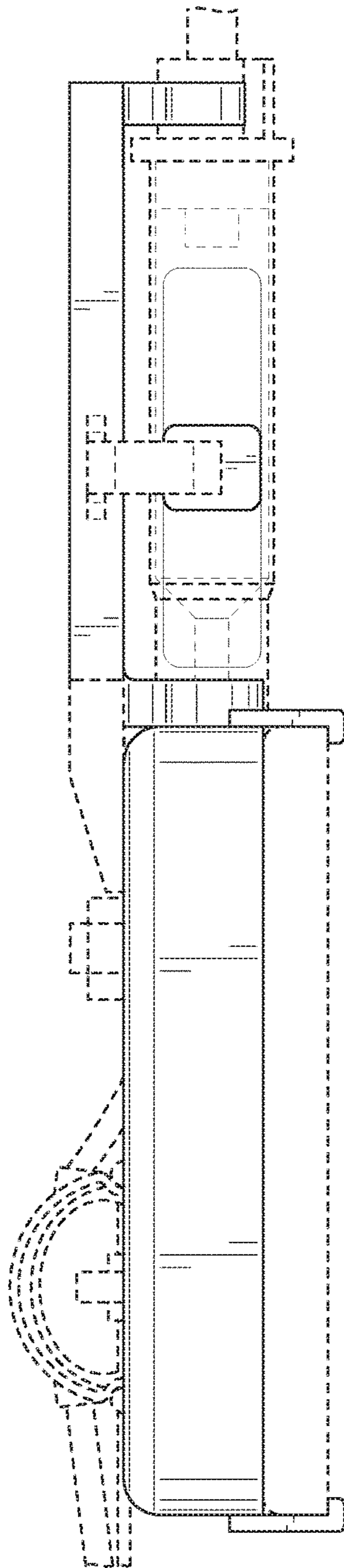


FIG. 5

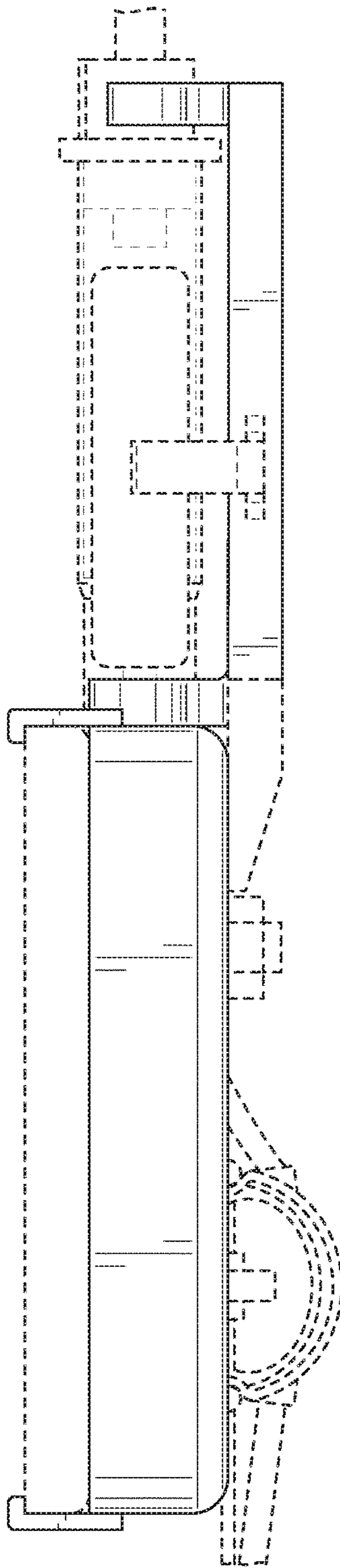


FIG. 6

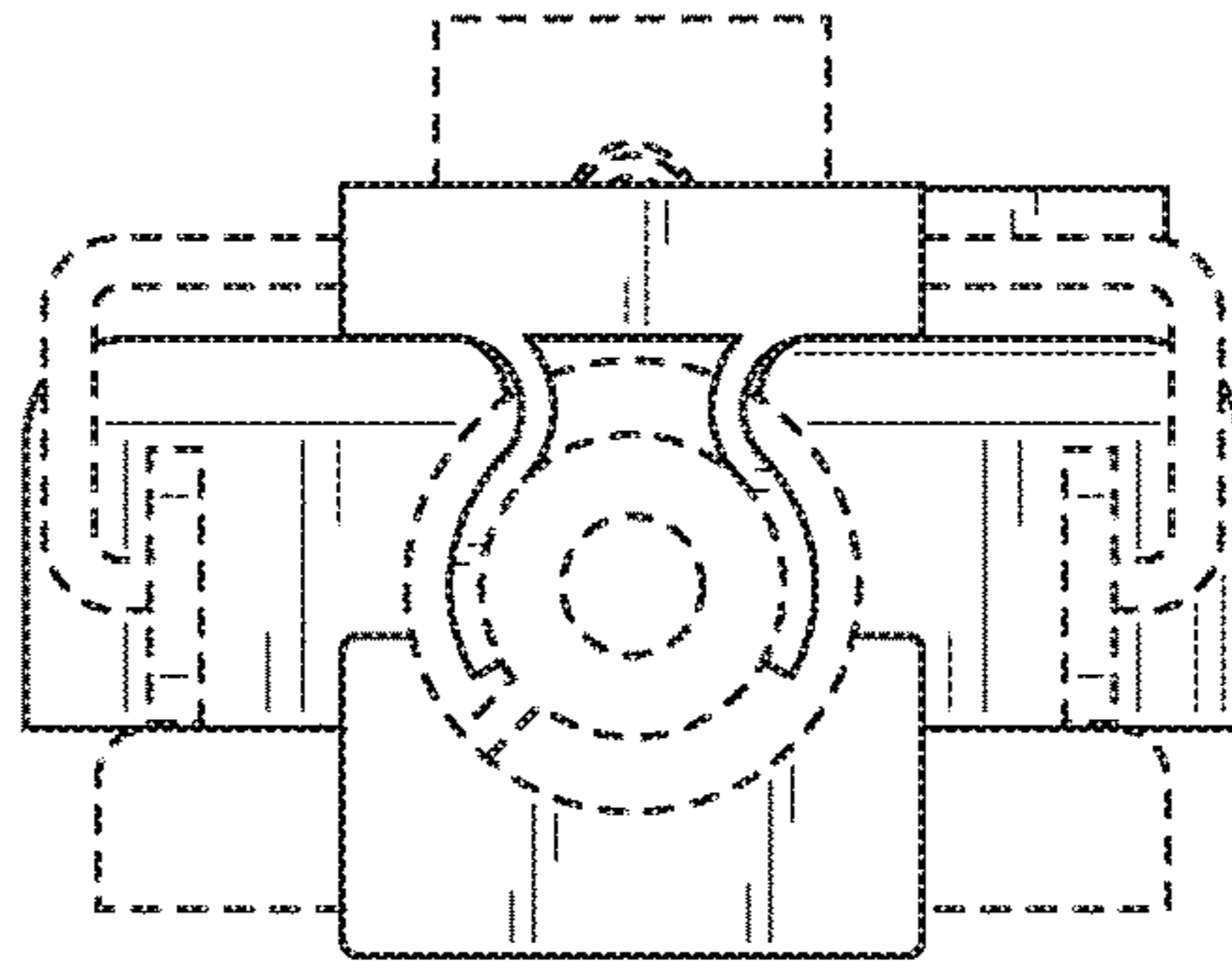


FIG. 7

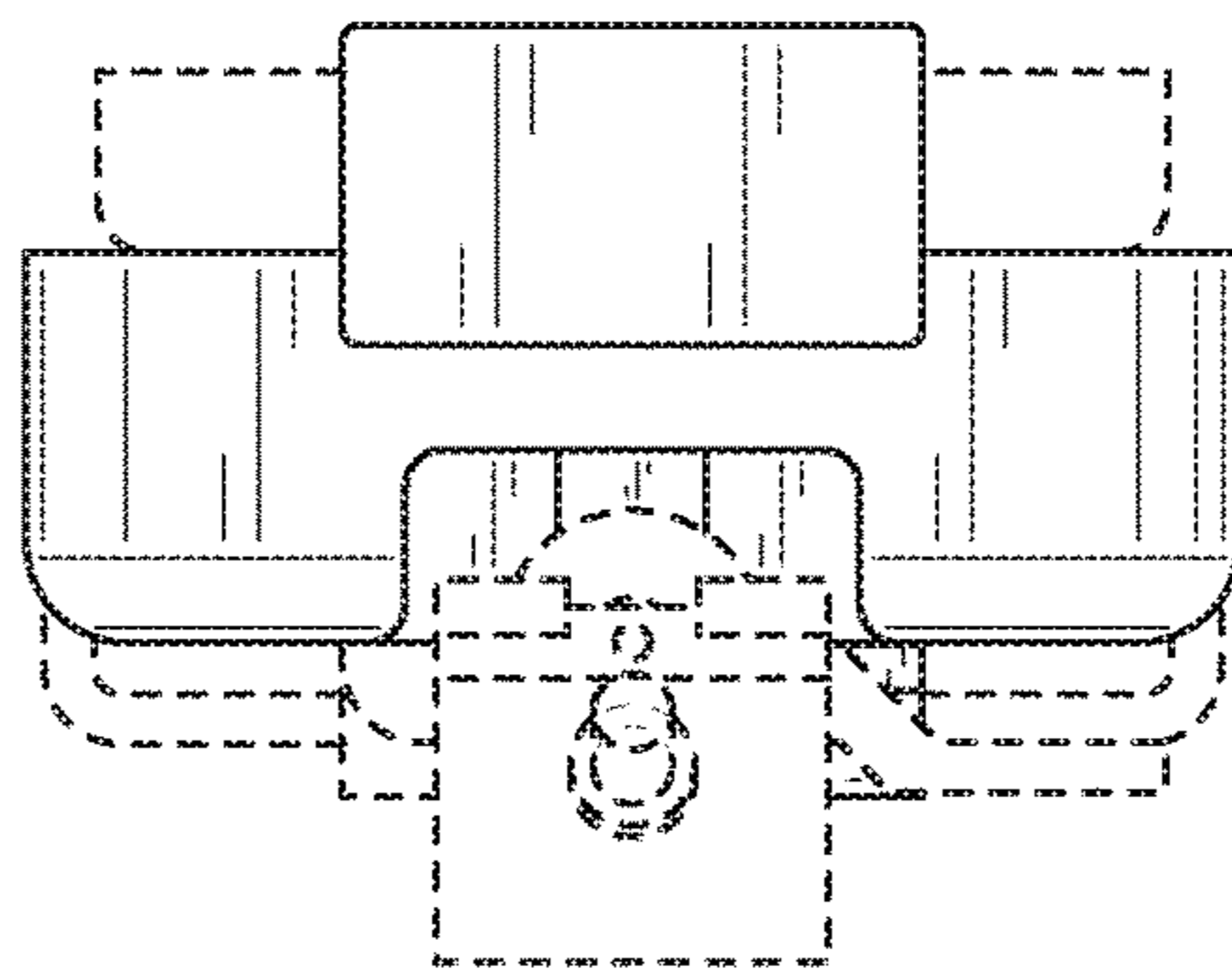


FIG. 8